



US00D964796S

(12) **United States Design Patent** (10) **Patent No.:** **US D964,796 S**
Chapman et al. (45) **Date of Patent:** **** Sep. 27, 2022**

(54) **CROCK**

FOREIGN PATENT DOCUMENTS

(71) Applicant: **FRESHLINK PRODUCT DEVELOPMENT, LLC**, New York, NY (US)

CN 304042664 * 2/2017
EM 002678458-0010 * 4/2015
HU 87026-0001 * 12/1997

(72) Inventors: **Dean Chapman**, Montclair, NJ (US);
John Ryan Winter, Montclair, NJ (US)

OTHER PUBLICATIONS

(73) Assignee: **FRESHLINK PRODUCT DEVELOPMENT, LLC**, New York, NY (US)

VonShef Rotating Copper Utensil Holder, posted at Amazon.co.uk on Sep. 9, 2016, [site visited Apr. 18, 2022]. Available from internet, URL: <https://www.amazon.co.uk/dp/B01KODA3CW/> (Year: 2016).*

(Continued)

(**) Term: **15 Years**

Primary Examiner — Andrew Kerr

(21) Appl. No.: **29/750,599**

Assistant Examiner — Chariton Alexakis

(22) Filed: **Sep. 15, 2020**

(74) *Attorney, Agent, or Firm* — Burriss Law, PLLC

(51) **LOC (13) Cl.** **07-02**

(52) **U.S. Cl.**
USPC **D7/354**

(57) **CLAIM**

(58) **Field of Classification Search**

The ornamental design for a crock, as shown and described.

USPC D7/354, 360, 368, 376, 383, 412, 413,
D7/500, 509, 523, 601, 602, 603, 612,
D7/614, 637, 638, 639, 640, 641, 668;
D9/422, 428, 434, 454, 455; D11/143,
D11/144; D19/75, 77, 81, 84; D26/9;
D32/53, 55, 56

DESCRIPTION

CPC A21C 1/00; A21C 1/14; A21C 1/1405;
A21C 1/141; A47B 81/02; A47B 81/04;
A47G 19/00; A47G 19/02; A47G 19/12;
A47G 21/14; A47G 21/145; A47G 29/00;
A47J 2043/04436; A47J 27/00; A47J
27/002; A47J 43/00; A47J 43/07; A47J

FIG. 1 is a perspective view of a crock showing our new design;

FIG. 2 is a front elevational view thereof;

FIG. 3 is a rear elevational view thereof;

FIG. 4 is a left side elevational view thereof;

FIG. 5 is a right side elevational view thereof;

FIG. 6 is a top plan view thereof;

FIG. 7 is a bottom plan view thereof;

FIG. 8 is an exploded perspective view thereof; and,

FIG. 9 is a cross section view showing a section taken along line 9-9 of FIG. 6.

The evenly dashed broken lines depict portions of the crock that form no part of the claimed design.

The dash-dot broken lines are for defining the bounds of the claimed design only and form no part of the claimed design.

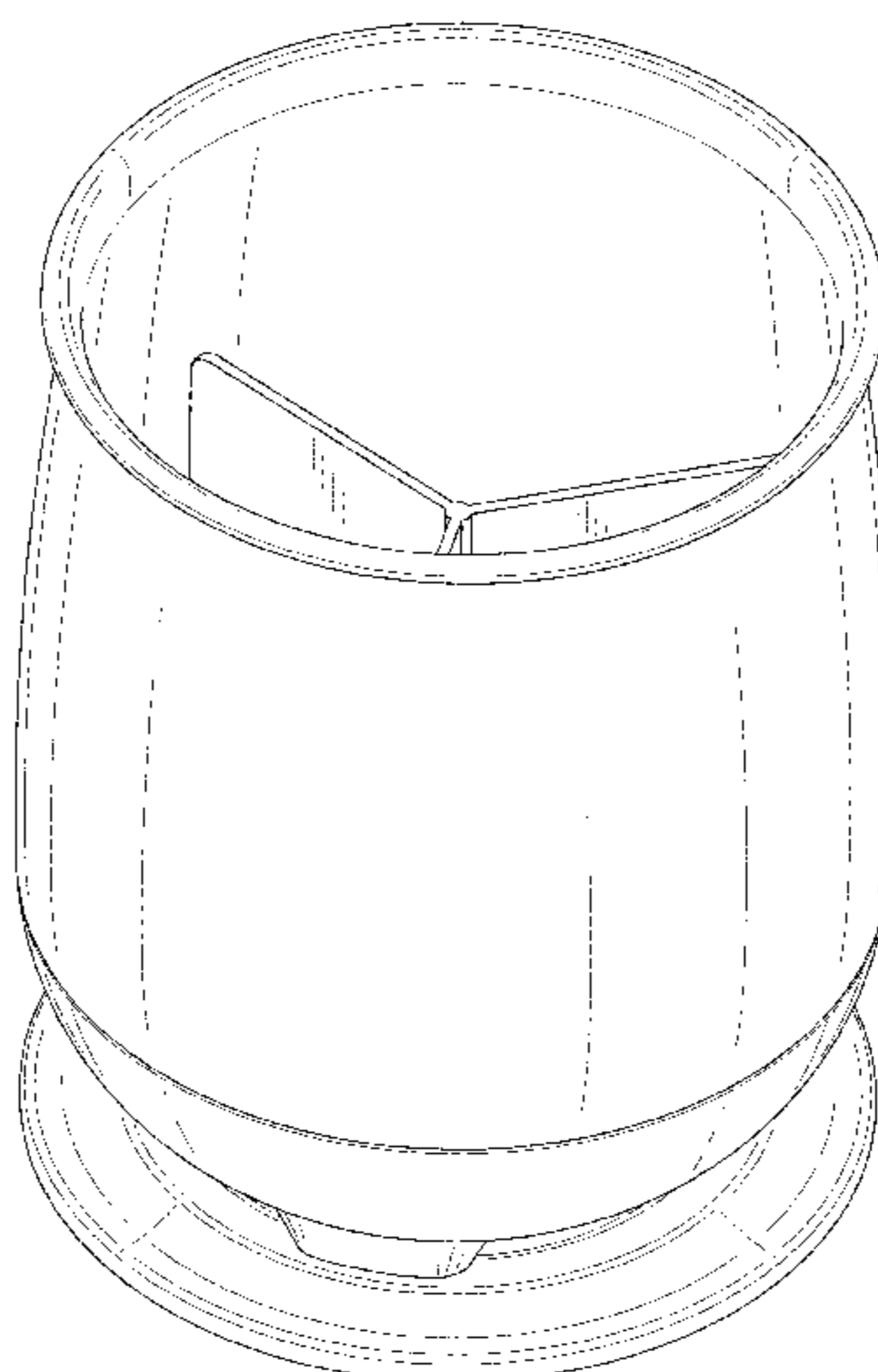
(56) **References Cited**

U.S. PATENT DOCUMENTS

2,223,432 A * 12/1940 Smith A47J 36/20
220/8
D275,179 S * 8/1984 Spencer B65D 3/24
D9/558

(Continued)

1 Claim, 9 Drawing Sheets



(58) **Field of Classification Search**

CPC 43/0727; A47J 43/1006; A47J 47/00; A47J
47/16; A47J 47/18; A47J 47/20; Y10S
220/908; Y10S 220/912

See application file for complete search history.

(56) **References Cited**

U.S. PATENT DOCUMENTS

D364,189 S * 11/1995 Trombly A47G 19/02
D19/85
D367,408 S * 2/1996 Fordyce D7/703
D395,787 S * 7/1998 Wilks D7/360
6,382,452 B1 * 5/2002 Getachew B65F 1/0053
220/523
D472,427 S * 4/2003 Dretzka D7/532
6,604,648 B2 * 8/2003 Immerman A47G 19/2261
220/636
D490,582 S * 5/2004 Dretzka A47G 19/2261
D34/1
D542,437 S * 5/2007 Snow D26/9
D551,905 S * 10/2007 Snell D7/509

D594,277 S * 6/2009 Snell D7/509
D603,220 S * 11/2009 Ghiorghie B65F 1/0053
D7/509
D732,347 S * 6/2015 Katterheinrich D7/624.2
D823,133 S * 7/2018 Keating D9/737
D831,443 S * 10/2018 Zhang D7/701
D914,436 S * 3/2021 Gill D7/701
2005/0150804 A1 * 7/2005 Chen A47G 19/02
206/514
2017/0015467 A1 * 1/2017 Baer B65D 3/24

OTHER PUBLICATIONS

Rotating Utensil Holder, posted at Amazon.co.uk on Jul. 23, 2018,
[site visited Apr. 18, 2022]. Available from internet, URL: <<https://www.amazon.co.uk/Rotating-Removable-Dishwasher-Cooler-Kitchen/dp/B083QRKRKB/>> (Year: 2018).*
Stainless Steel Rotating Utensil Holder, posted at Amazon.com on
Mar. 17, 2020, [site visited Apr. 18, 2022]. Available from internet,
URL: <<https://www.amazon.com/dp/B085ZYNZ89/>> (Year: 2020).*

* cited by examiner

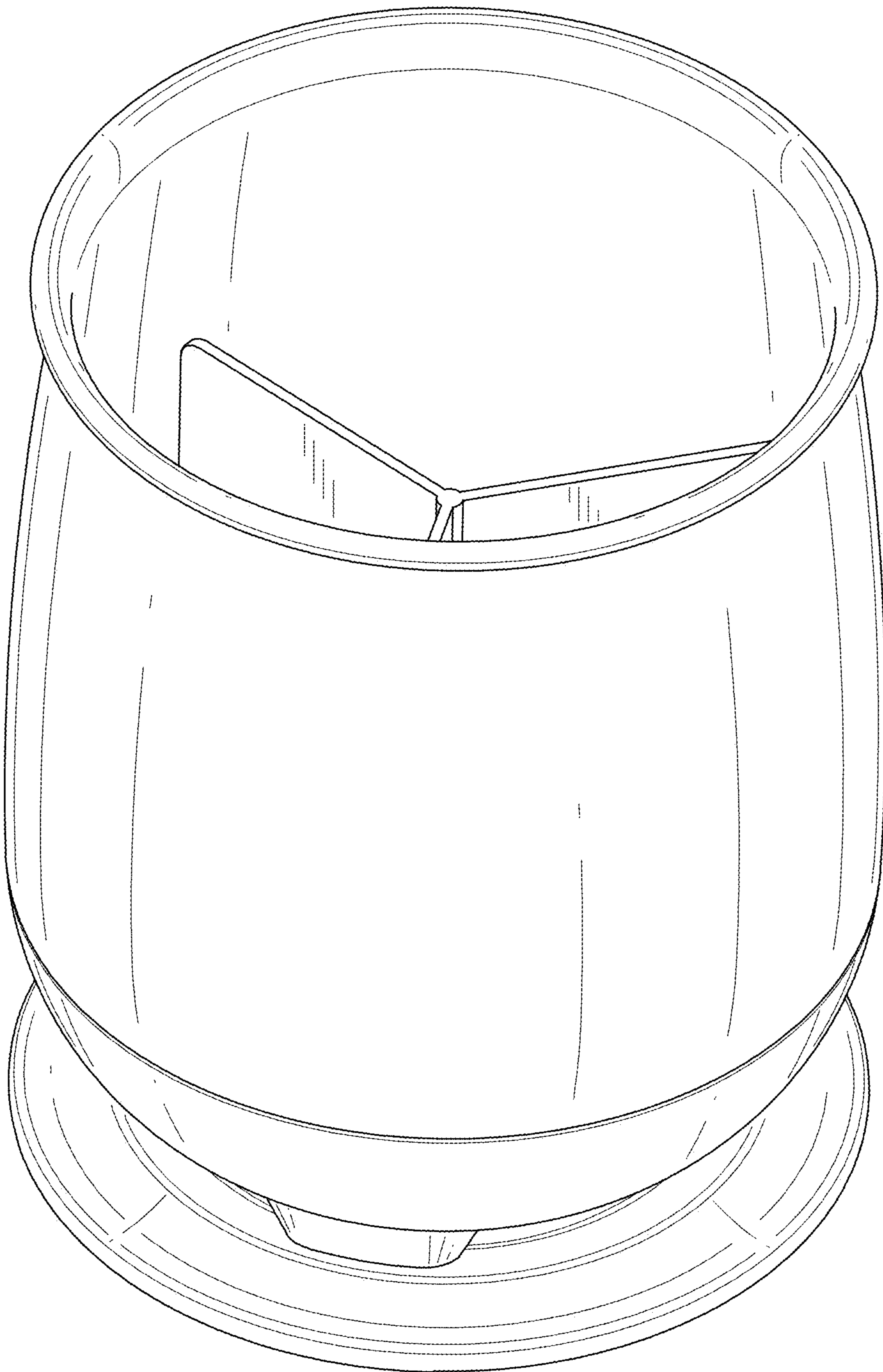


FIG. 1

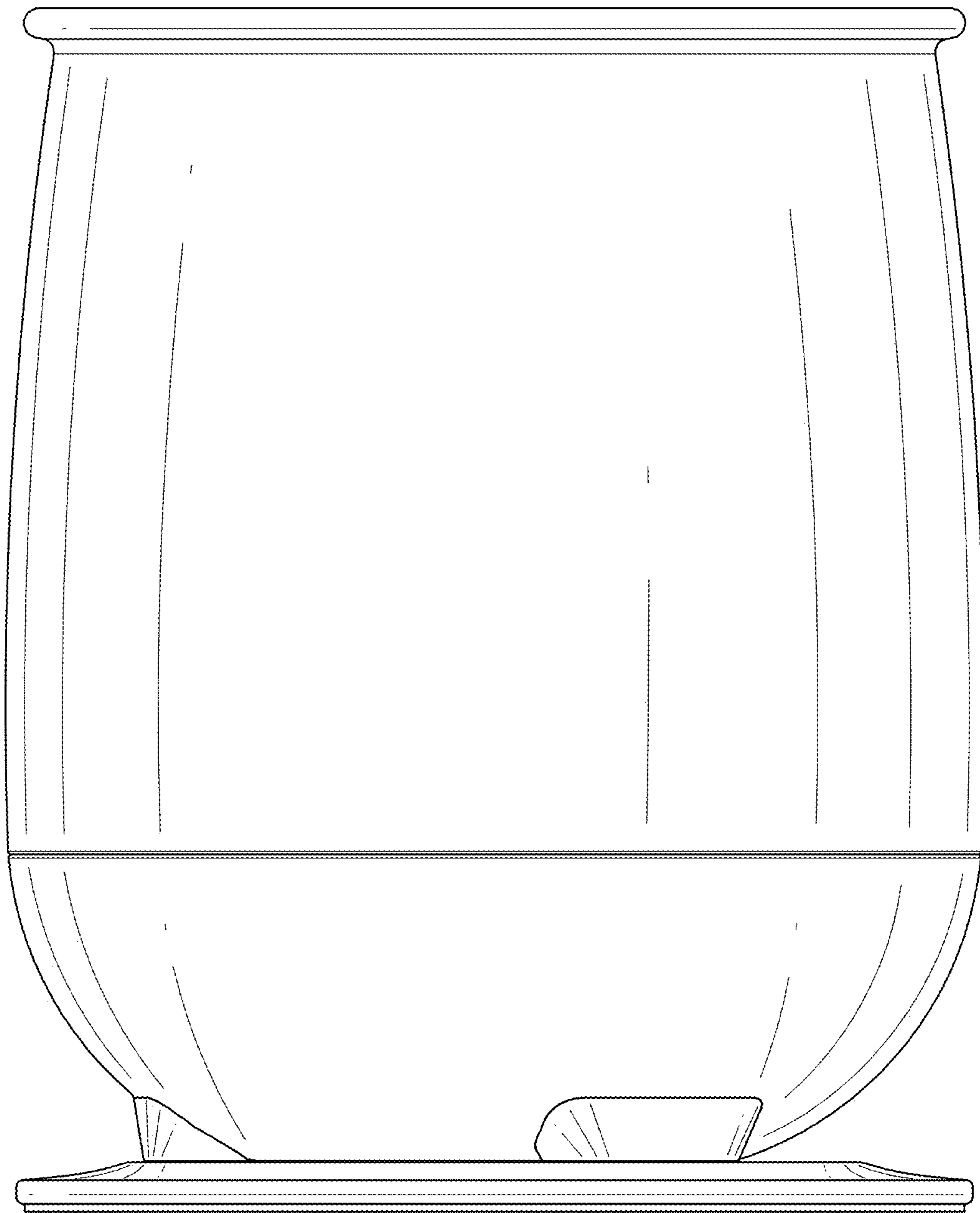


FIG.2

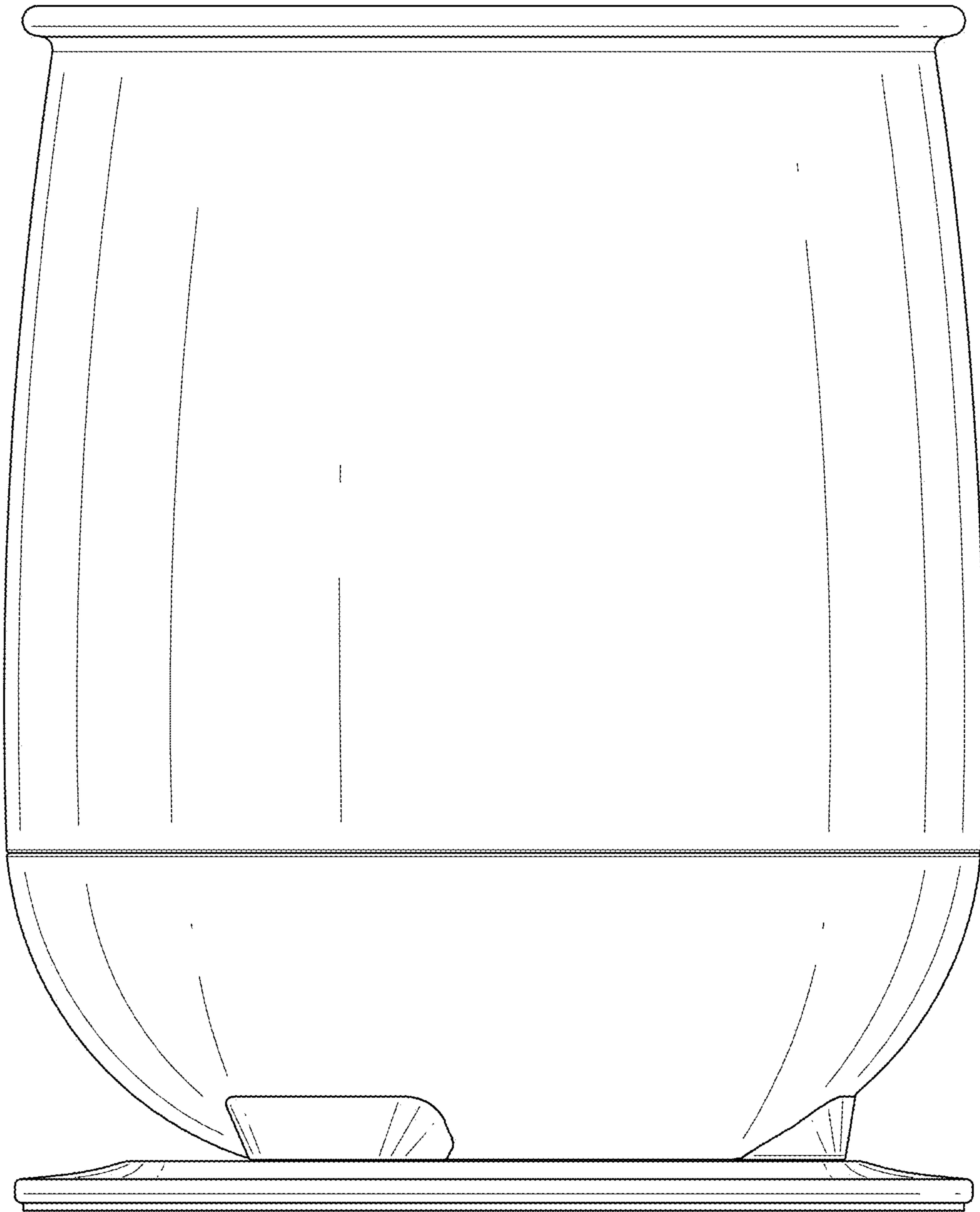


FIG.3

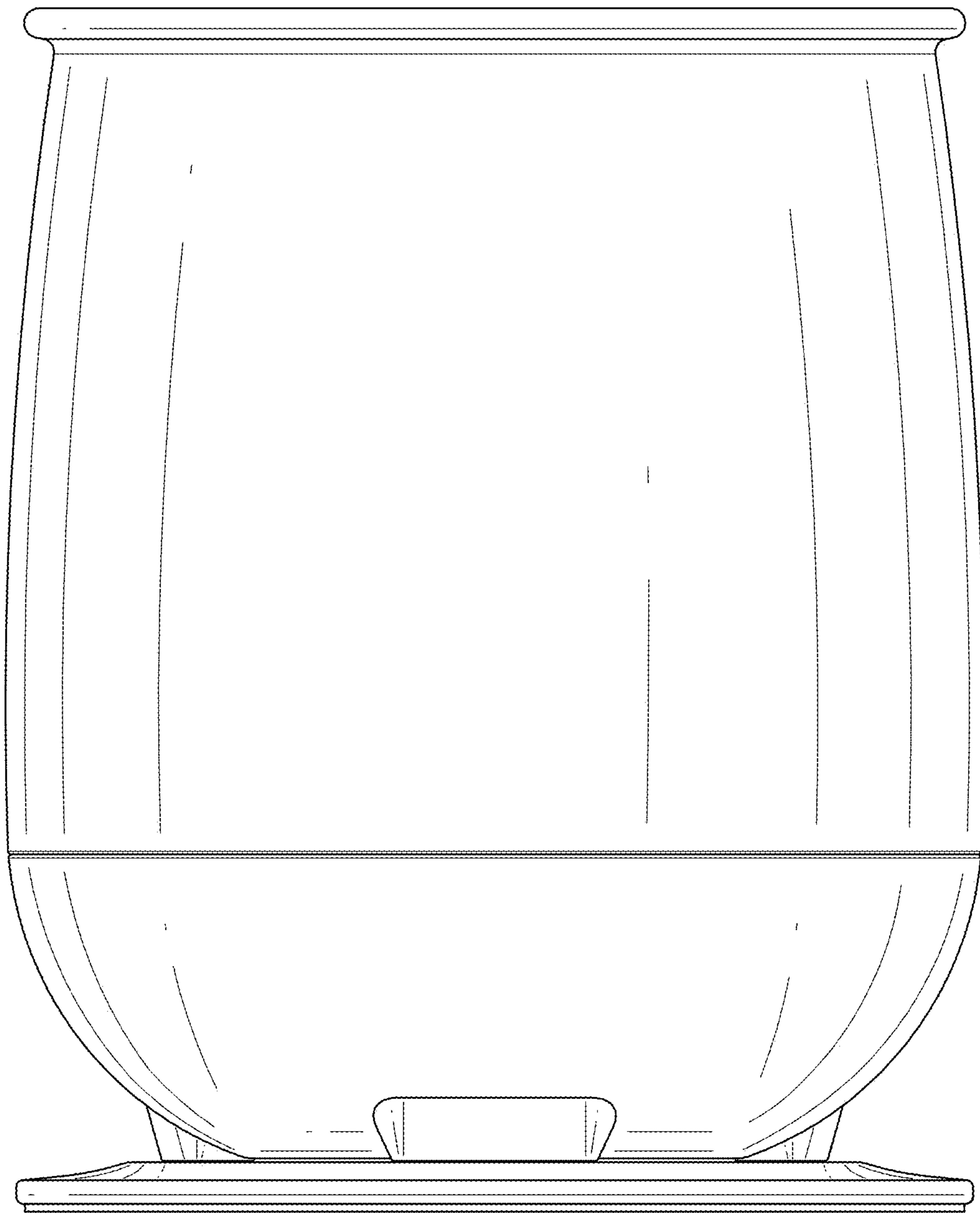


FIG.4

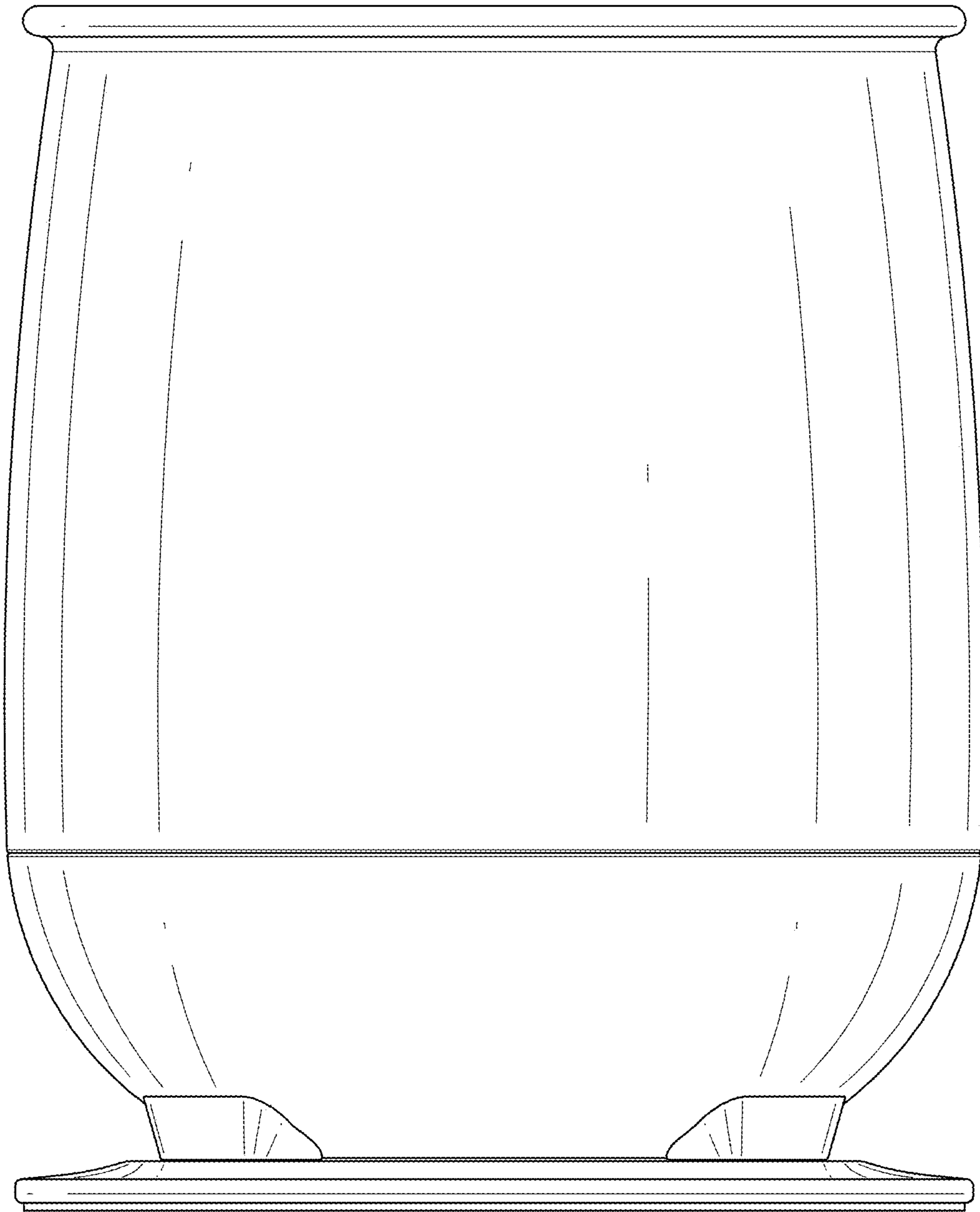


FIG.5

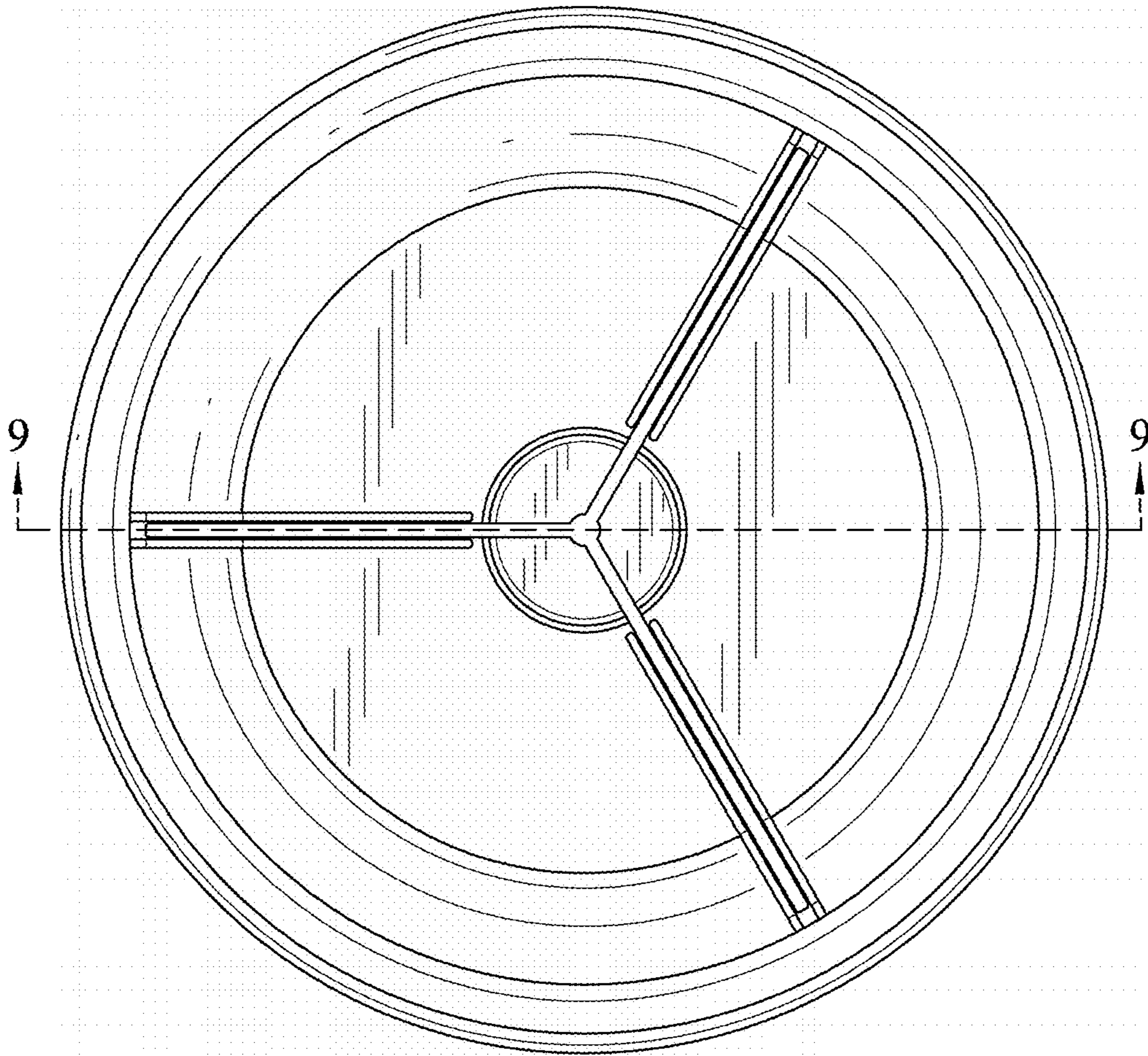


FIG.6

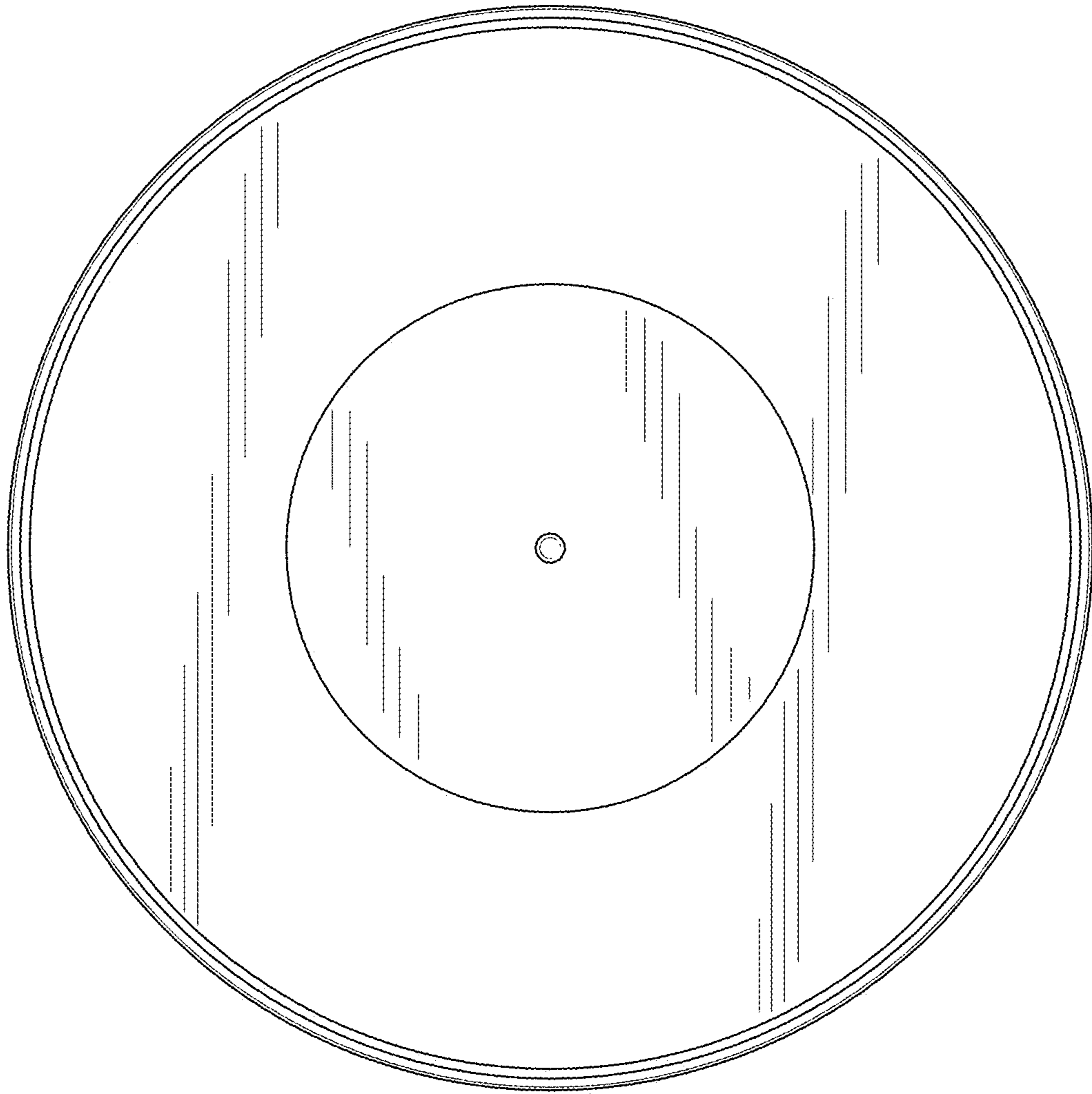


FIG. 7

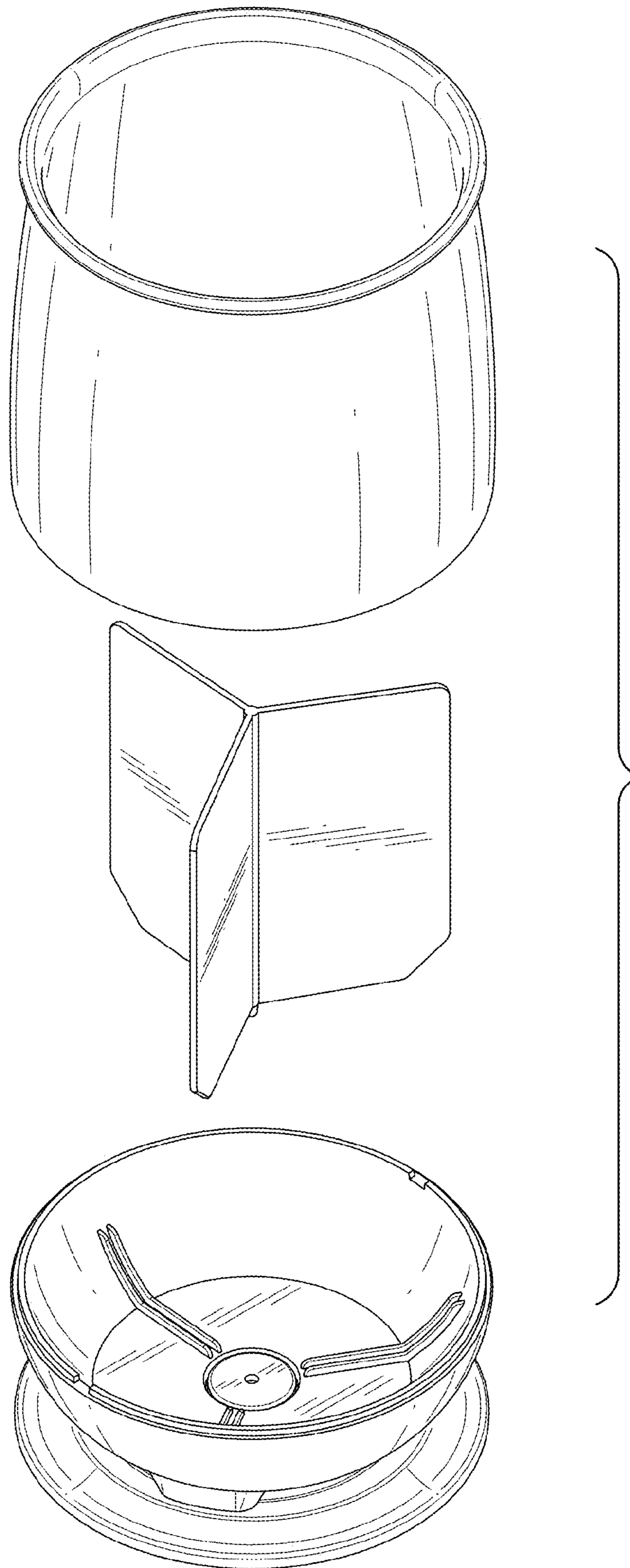


FIG.8

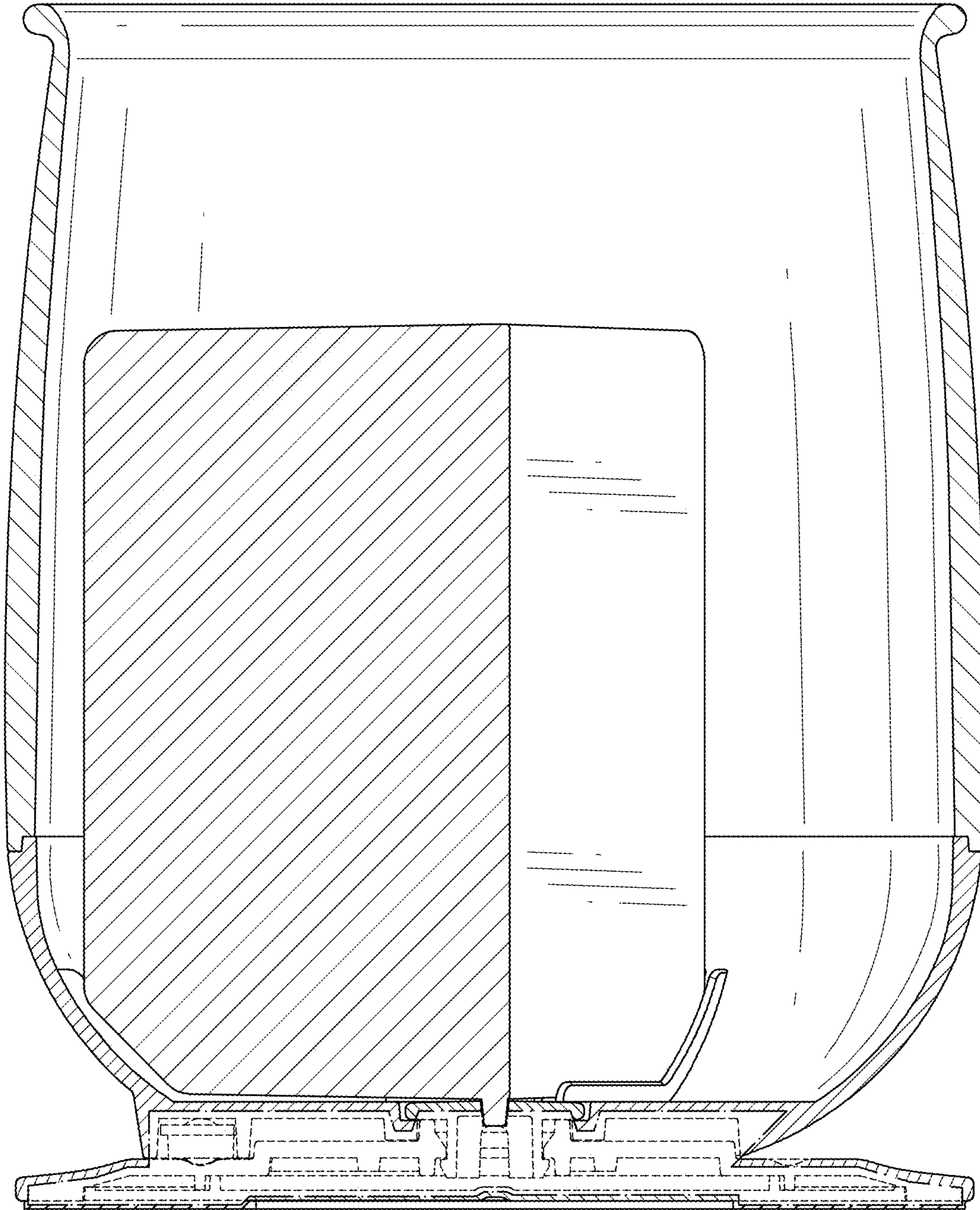


FIG.9