



US00D964795S

(12) **United States Design Patent**
Bell et al.

(10) **Patent No.:** **US D964,795 S**
(45) **Date of Patent:** **** Sep. 27, 2022**

- (54) **WATER PITCHER**
- (71) Applicant: **BRITA LP**, Oakland, CA (US)
- (72) Inventors: **Russell E. Bell**, Pleasanton, CA (US);
Madeline A. Donovan, Pleasanton, CA (US);
Rick T. Nishijima, Pleasanton, CA (US);
David Wu Zhong, Pleasanton, CA (US);
Scot Herbst, Santa Cruz, CA (US);
Piercy Yau, Causeway Bay (HK)
- (73) Assignee: **BRITA LP**, Neuchatel (CH)
- (**) Term: **15 Years**
- (21) Appl. No.: **29/752,565**
- (22) Filed: **Sep. 28, 2020**
- (51) **LOC (13) Cl.** **07-01**
- (52) **U.S. Cl.**
USPC **D7/317**
- (58) **Field of Classification Search**
USPC D7/300, 312, 316-319, 397, 399, 400,
D7/510, 511, 515, 523, 598; D9/516,
D9/547, 523, 527, 528
CPC .. A47G 19/14; A47G 19/12; A47G 2019/122;
A47G 19/127; A47J 27/21; A47J
21/21008; A47J 31/40
See application file for complete search history.

(56) **References Cited**

U.S. PATENT DOCUMENTS

D386,041 S *	11/1997	Tanner	D7/317
D388,655 S *	1/1998	Flom	D7/317
D406,003 S *	2/1999	Tanner	D7/319
D421,361 S *	3/2000	Coulson	D7/317
D439,790 S *	4/2001	Matsushita	D7/317
D584,913 S	1/2009	Green et al.		
D585,231 S *	1/2009	Bulala	D7/317
D595,534 S	7/2009	Mankowitz		

D598,233 S *	8/2009	Ma	D7/317
D625,947 S	10/2010	Olsen et al.		
D626,779 S *	11/2010	Bell	D7/319
D630,894 S	1/2011	Harris et al.		
D638,246 S	5/2011	Harris et al.		
D668,094 S	10/2012	Broen et al.		
D675,861 S *	2/2013	Gray	D7/318
D677,360 S *	3/2013	Sheppard	D23/209
D680,789 S *	4/2013	Bell	D7/317
D688,909 S *	9/2013	Chapman	D7/318
D728,298 S	5/2015	Ma et al.		
9,282,836 B2 *	3/2016	Nishijima	A47G 19/12
D770,010 S *	10/2016	Poindexter	D23/209
D773,013 S *	11/2016	Poindexter	D23/209
D774,622 S	12/2016	Poindexter et al.		
D775,711 S *	1/2017	Poindexter	D23/209
D789,135 S	6/2017	Green		
D789,727 S *	6/2017	Rummel	D7/318
D798,643 S *	10/2017	Rummel	D7/318
D815,482 S	4/2018	Bell et al.		

(Continued)

Primary Examiner — Andrew Kerr

(74) *Attorney, Agent, or Firm* — Edell, Shapiro & Finnan, LLC

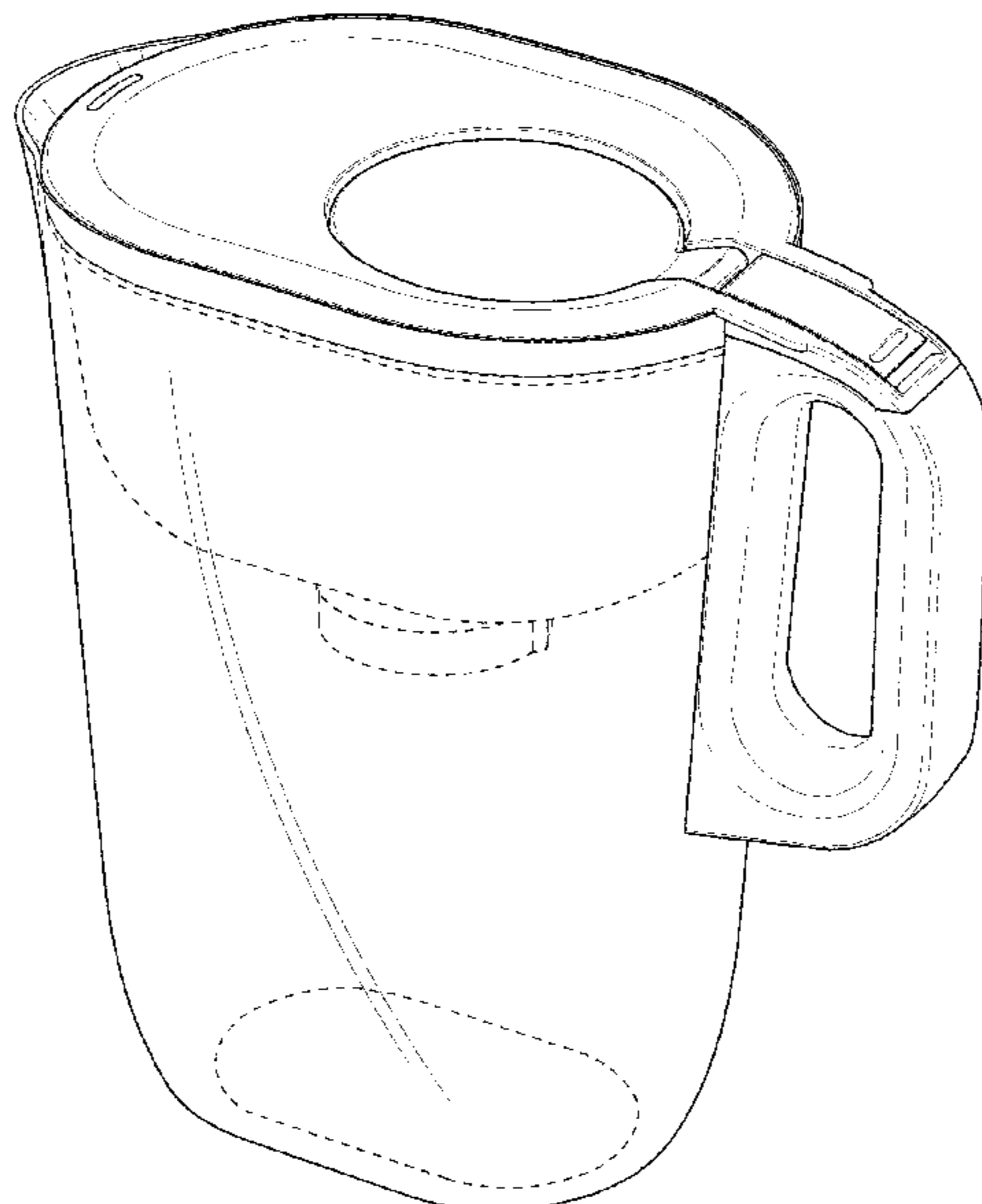
(57) **CLAIM**

The ornamental design for a water pitcher, as shown and described.

DESCRIPTION

FIG. 1 is a perspective view of a pitcher showing the new design;
 FIG. 2 is a top view thereof;
 FIG. 3 is a bottom view thereof;
 FIG. 4 is a left side view thereof;
 FIG. 5 is a right side view thereof;
 FIG. 6 is a front view thereof; and,
 FIG. 7 is a back view thereof.
 The broken lines in the drawings depict portions of the water pitcher that form no part of the claimed design.

1 Claim, 7 Drawing Sheets



(56)

References Cited

U.S. PATENT DOCUMENTS

D823,042	S	*	7/2018	Bell	D7/318
D833,795	S	*	11/2018	Bell	D7/318
D834,362	S		11/2018	Bell et al.		
10,178,921	B1	*	1/2019	Rinker	B65D 51/24
D882,322	S	*	4/2020	Anderson	D7/317
D889,182	S	*	7/2020	Zhang	D7/318
D891,168	S	*	7/2020	Zou	D7/319
2011/0300275	A1	*	12/2011	Lackey	C02F 1/003 426/431

* cited by examiner

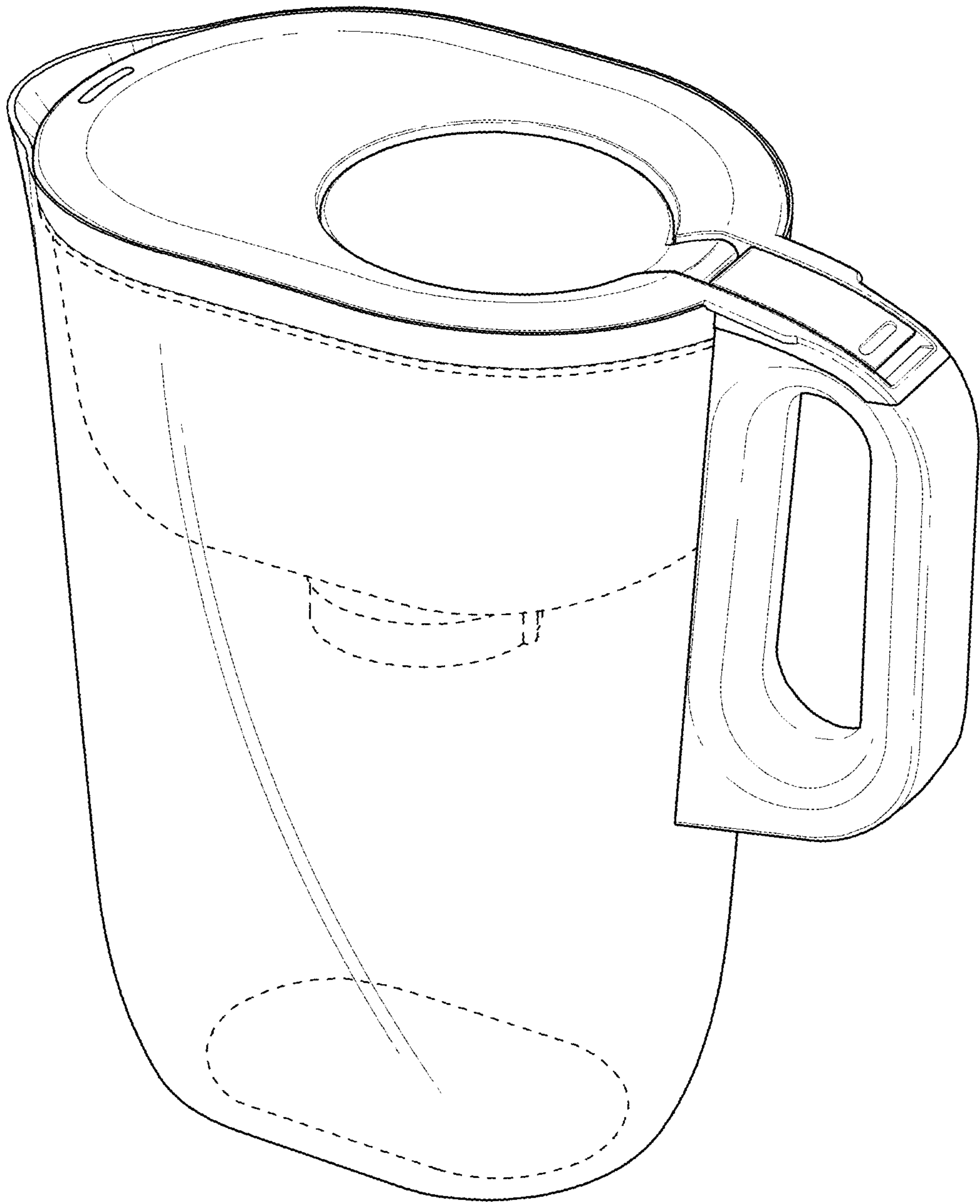


FIG. 1

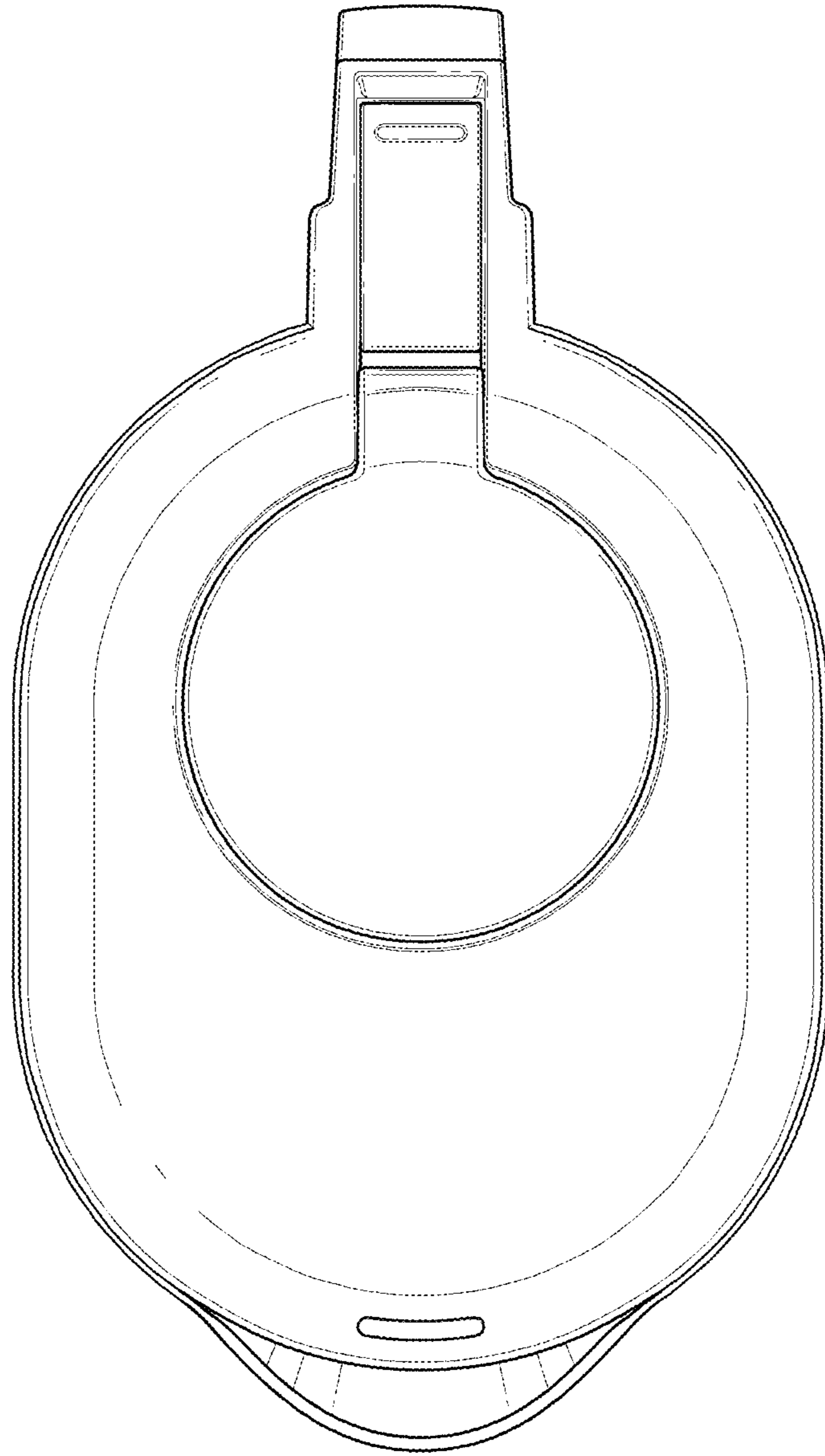


FIG. 2

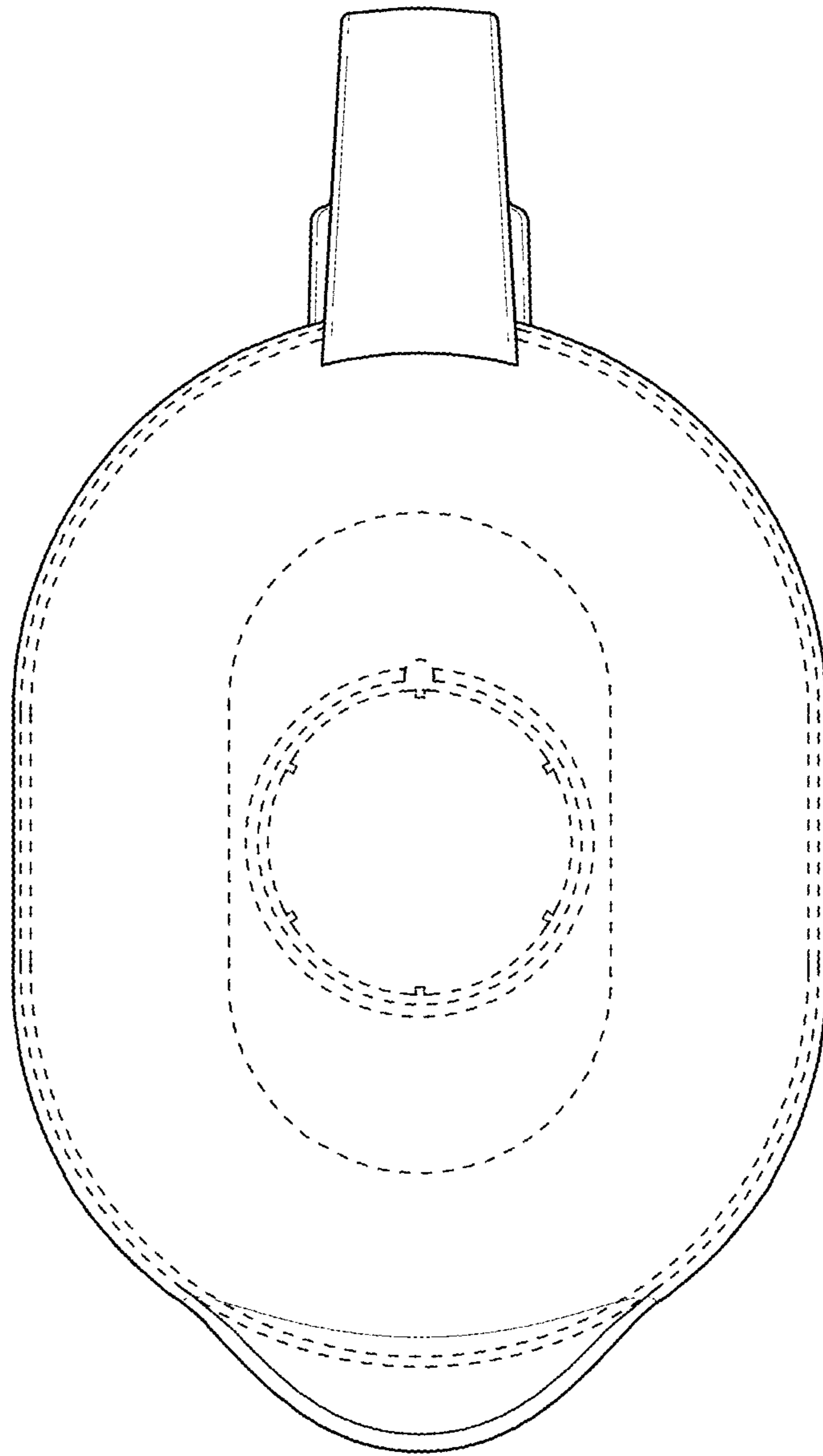


FIG. 3



FIG. 4



FIG. 5

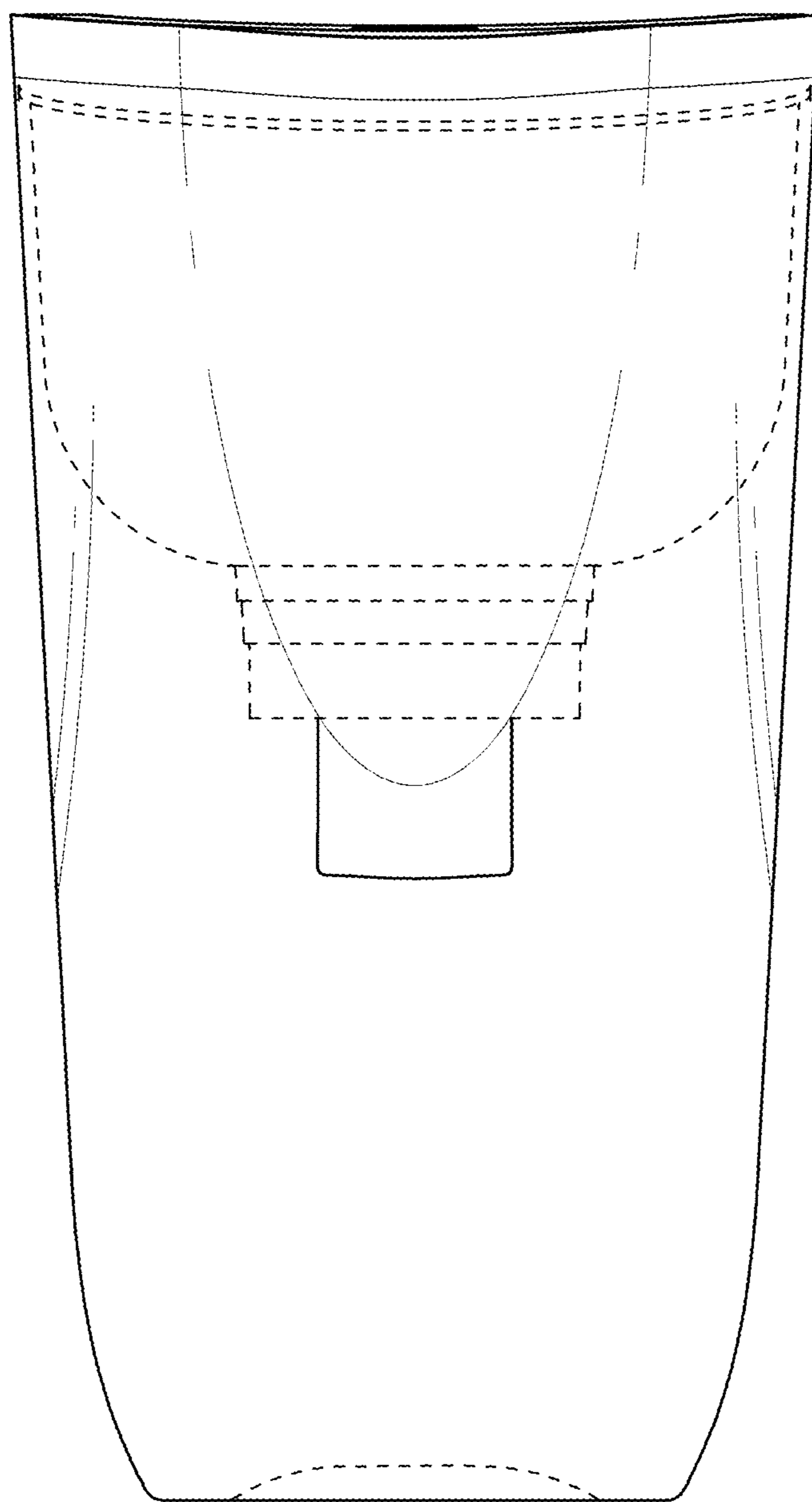


FIG. 6

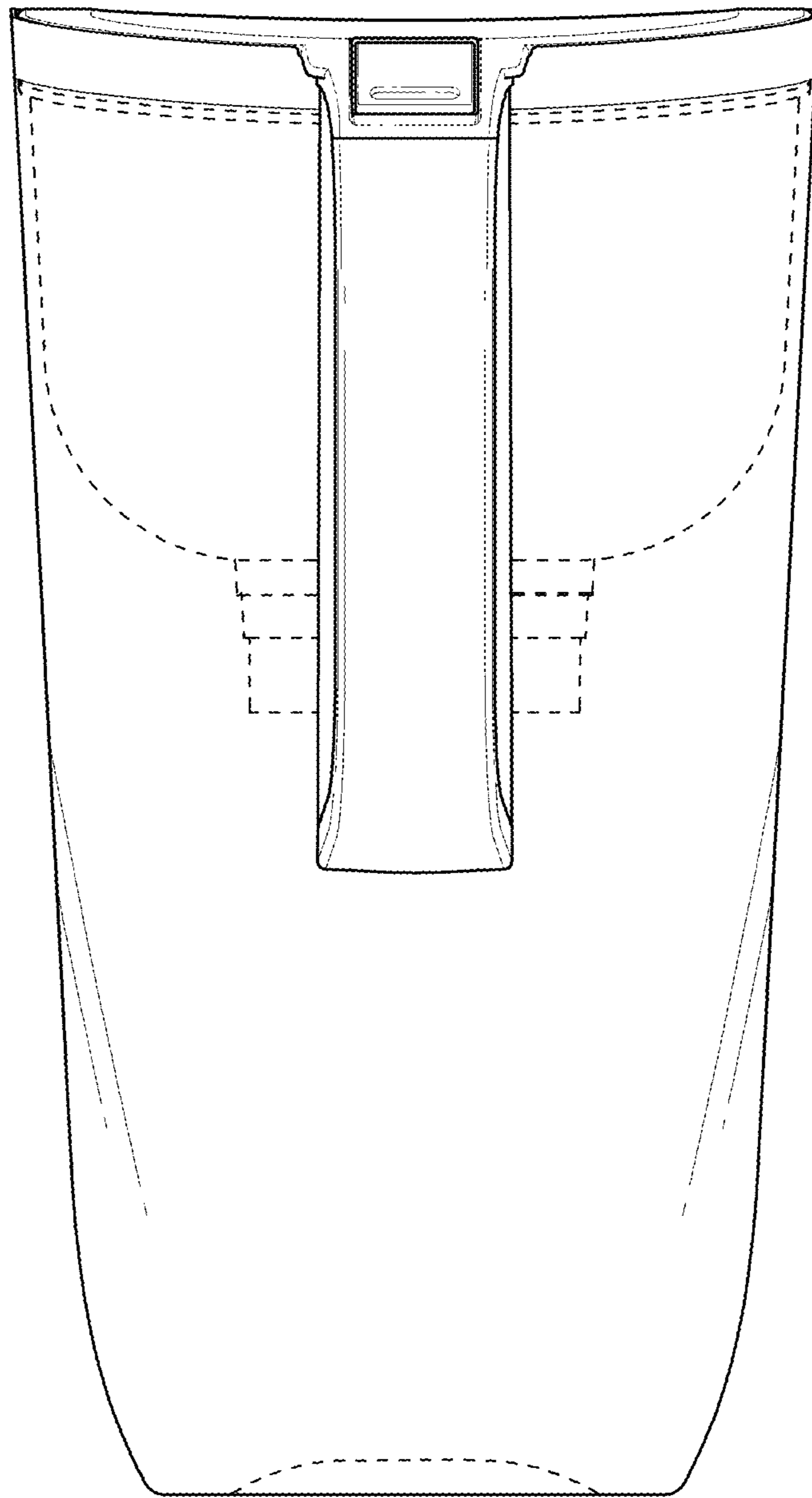


FIG. 7