

US00D964794S

(12) **United States Design Patent** (10) **Patent No.:** **US D964,794 S**
You et al. (45) **Date of Patent:** **** Sep. 27, 2022**

(54) **LIQUOR DISPENSER**

OTHER PUBLICATIONS

(71) Applicant: **YIWU LOCYOP HOUSEHOLD PRODUCT CO., LTD.**, Zhejiang (CN)

Magat, Leandro, "Precedent Project: Kiddush Wine Fountain Set," 2018, Experimental Design Lab, <https://exlab.org/research/precedent-project-kiddush-wine-fountain-set> (Year: 2018).*

(72) Inventors: **Wenbiao You**, Zhejiang (CN);
Changwei Long, Zhejiang (CN)

(Continued)

(73) Assignee: **YIWU LOCYOP HOUSEHOLD PRODUCT CO., LTD.**, Zhejiang (CN)

Primary Examiner — Joseph Kukella
Assistant Examiner — Arva P Adams

(74) *Attorney, Agent, or Firm* — ScienBiziP, P.C.

(**) Term: **15 Years**

(57) **CLAIM**

(21) Appl. No.: **29/799,909**

The ornamental design for a liquor dispenser, as shown and described.

(22) Filed: **Jul. 16, 2021**

DESCRIPTION

(30) **Foreign Application Priority Data**

Jun. 22, 2021 (JP) 2021-013516

(51) **LOC (13) Cl.** **07-04**

(52) **U.S. Cl.**
USPC **D7/301; D7/308**

(58) **Field of Classification Search**
USPC D7/300, 301, 305–308, 311–315, 501,
D7/506, 514, 589, 593–595, 600.2, 600.4,
(Continued)

FIG. 1 is a front, right, and top perspective view of a first embodiment of a liquor dispenser, showing our design.
FIG. 2 is a rear, left, and bottom perspective view thereof.
FIG. 3 is a front elevation view thereof.
FIG. 4 is a rear elevation view thereof.
FIG. 5 is a left side elevation view thereof.
FIG. 6 is a right side elevation view thereof.
FIG. 7 is a top plan view thereof.
FIG. 8 is a bottom plan view thereof.
FIG. 9 is another front, right, and top perspective view of the liquor dispenser of FIG. 1, showing a first usage state.
FIG. 10 is another front, right, and top perspective view of the liquor dispenser of FIG. 1, showing a second usage state.
FIG. 11 is a front, right, and bottom perspective view of the liquor dispenser of FIG. 1, showing a third usage state; and,
FIG. 12 is a rear, left, and bottom perspective view of a second embodiment of the liquor dispenser of FIG. 1, showing another bottom surface.
The broken lines shown in the drawings are included for the purpose of illustrating portions of the liquor dispenser and for environmental structures which form no part of the claimed design.

(56) **References Cited**

U.S. PATENT DOCUMENTS

1,718,015 A * 6/1929 Weidner A47G 23/08
126/246
D138,055 S * 6/1944 Cristontello B67D 3/0083
D6/404

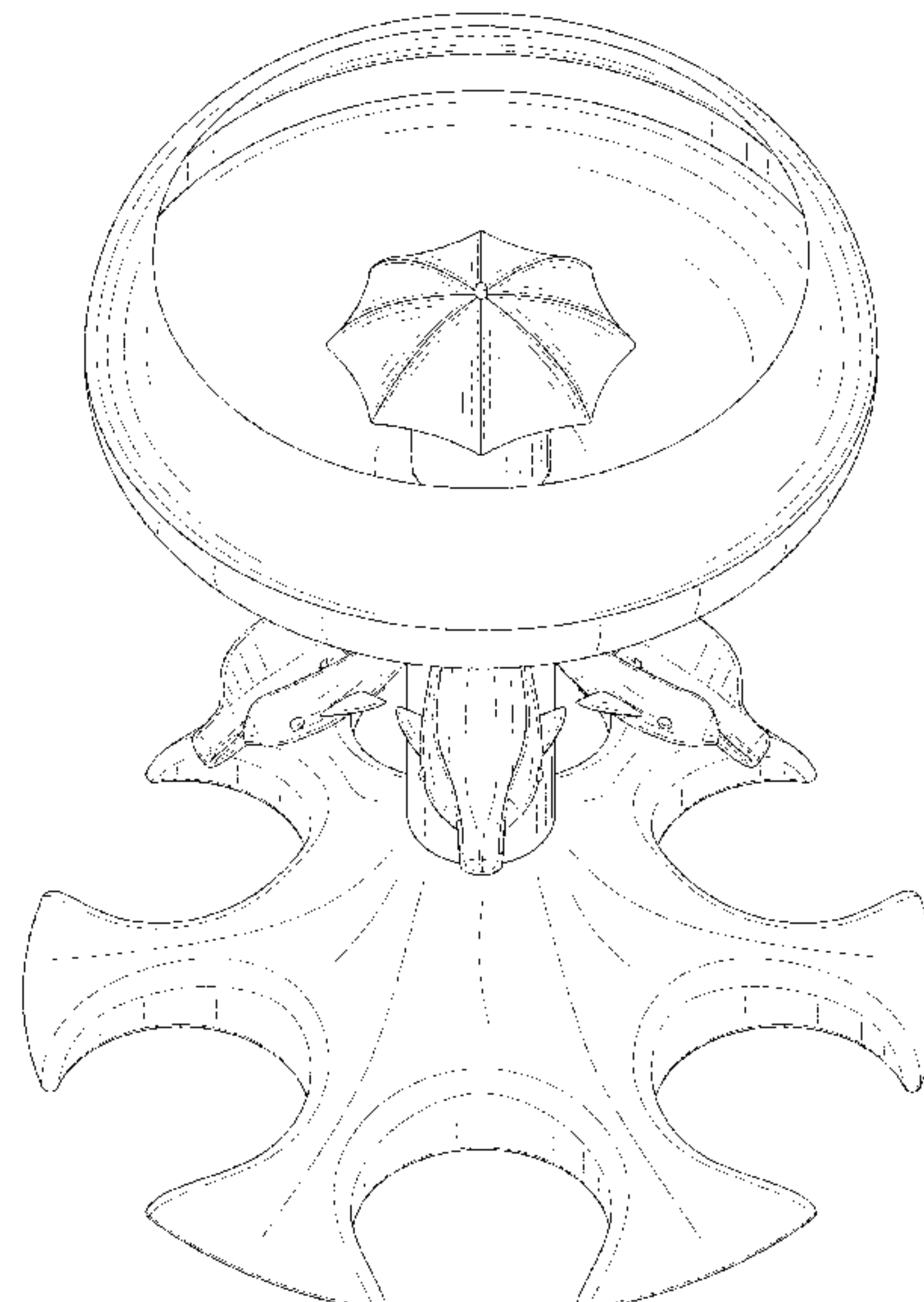
(Continued)

FOREIGN PATENT DOCUMENTS

CN 303066262 * 1/2015
CN 306960551 * 11/2021

(Continued)

1 Claim, 12 Drawing Sheets



US D964,794 S

Page 2

(58) **Field of Classification Search**

USPC .. D7/602, 604, 606, 619.1, 619.2, 623, 702,
D7/707, 708; D11/149; D23/201, 204;
D30/132
CPC A01K 39/0206; A01K 39/04; A47G
2019/122; A47G 19/12; A47G 19/22;
A47G 19/2227; A47G 21/184; A47G
2200/08; A47G 23/0208; A47G 23/0241;
A47G 23/0641; A47J 31/40; A47J
31/402; B67D 3/00; B67D 3/0029; B67D
3/0038; B67D 3/0054

See application file for complete search history.

(56) **References Cited**

U.S. PATENT DOCUMENTS

2,566,430 A * 9/1951 Sobers B01L 9/00
422/534
2,715,386 A * 8/1955 Jones A01K 39/04
119/51.5
3,146,906 A * 9/1964 Swett A47G 23/0616
206/203
D232,341 S * 8/1974 Mudde D7/600
D245,421 S 8/1977 Bayers, Jr.
D255,199 S * 6/1980 Gruber A47F 7/0071
D7/506
D392,852 S * 3/1998 Weterrings B01L 9/00
D7/706
D394,589 S * 5/1998 King A47G 23/08
D7/707
5,894,943 A * 4/1999 Liu A47G 23/08
D7/355
6,167,840 B1 * 1/2001 White A01K 5/0142
119/72
D476,855 S * 7/2003 Green A47G 23/08
D7/589
D490,273 S * 5/2004 Hockey A47G 23/08
D7/600.2

6,796,441 B2 * 9/2004 Tremblay A47F 7/0071
211/74
D504,284 S * 4/2005 Corona A47F 7/0071
D7/707
D521,304 S 5/2006 Mandel
D581,218 S * 11/2008 Green D7/589
D685,971 S * 7/2013 Thibault B67D 3/0083
D32/54
D760,032 S * 6/2016 Thompson A47G 23/08
D7/600.4
D925,961 S * 7/2021 Long A01K 5/0142
D7/308
2002/0170868 A1 * 11/2002 Morgan A47G 23/08
211/163
2012/0067921 A1 * 3/2012 Shippen B67D 3/0083
222/144

FOREIGN PATENT DOCUMENTS

EM 008588172-0001 * 6/2021
GB 6110452 * 12/2020
GB 6144178 * 6/2021
JP D1704315 * 1/2022

OTHER PUBLICATIONS

Sell The Trend, "Happy Friday! Promote this 6 Shot Glass Dis-
penser and Liquor Caddy to your audience today," Nov. 13, 2020,
Facebook, www.facebook.com/sellthetrend/posts/792784611285405
(Year: 2020).*

Shopping Itnerant, "Locyop 6 Shot Glass Dispenser," Mar. 3, 2021,
Amazon.ae, [www.amazon.ae/LOCYOP-Dispenser-Filling-Multiple-
Cocktail/dp/B08QGVBVBJB](https://www.amazon.ae/LOCYOP-Dispenser-Filling-Multiple-Cocktail/dp/B08QGVBVBJB) (Year: 2021).*

Benku, "Locyop Clear Shot Dispenser," Nov. 13, 2021, Amazon.
com, [www.amazon.com/LOCYOP-Dispenser-Second-Generation-
Separator-Beverages/dp/B09LS7T1Q5?th=1](https://www.amazon.com/LOCYOP-Dispenser-Second-Generation-Separator-Beverages/dp/B09LS7T1Q5?th=1) (Year: 2021).*

* cited by examiner

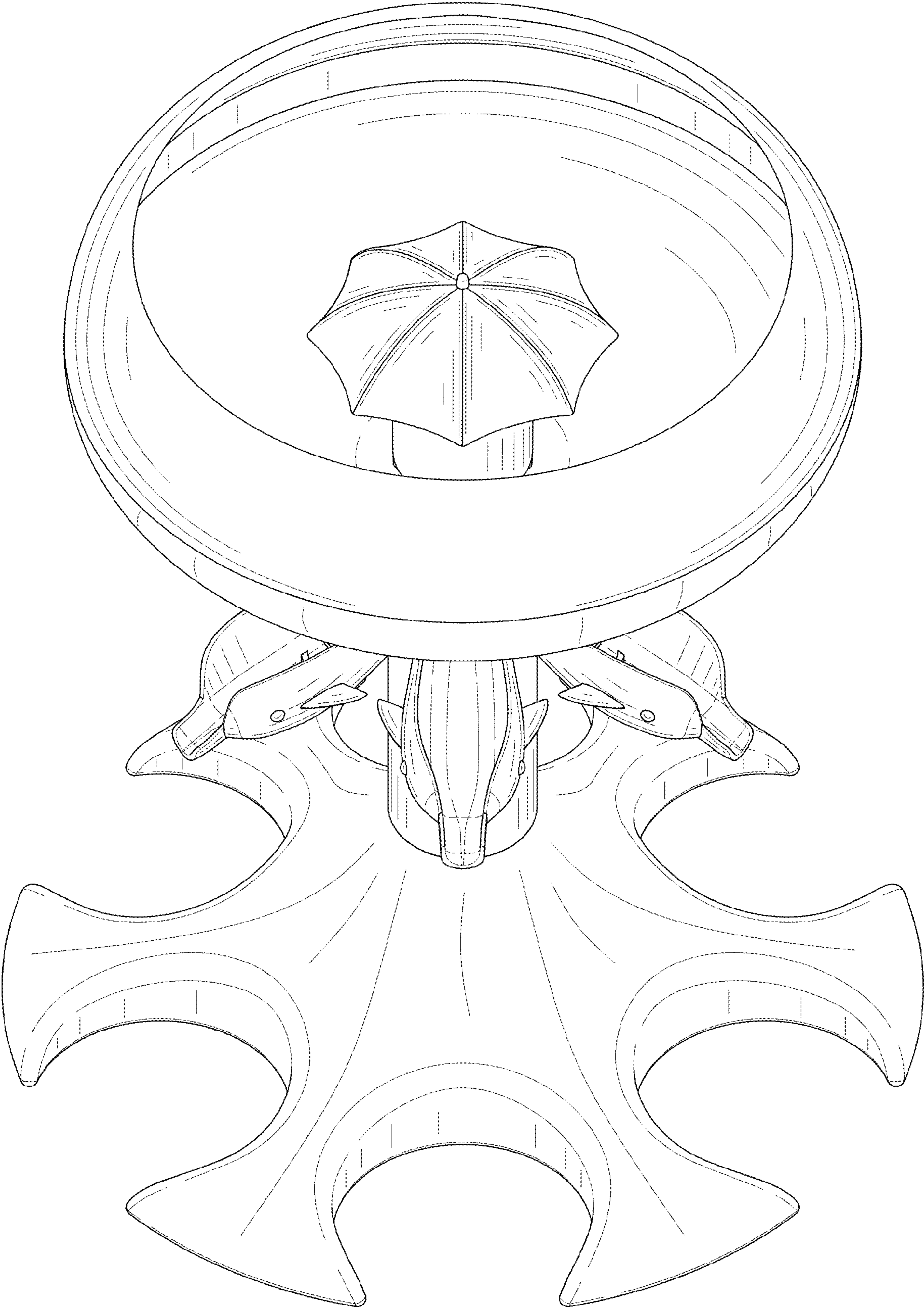


FIG. 1

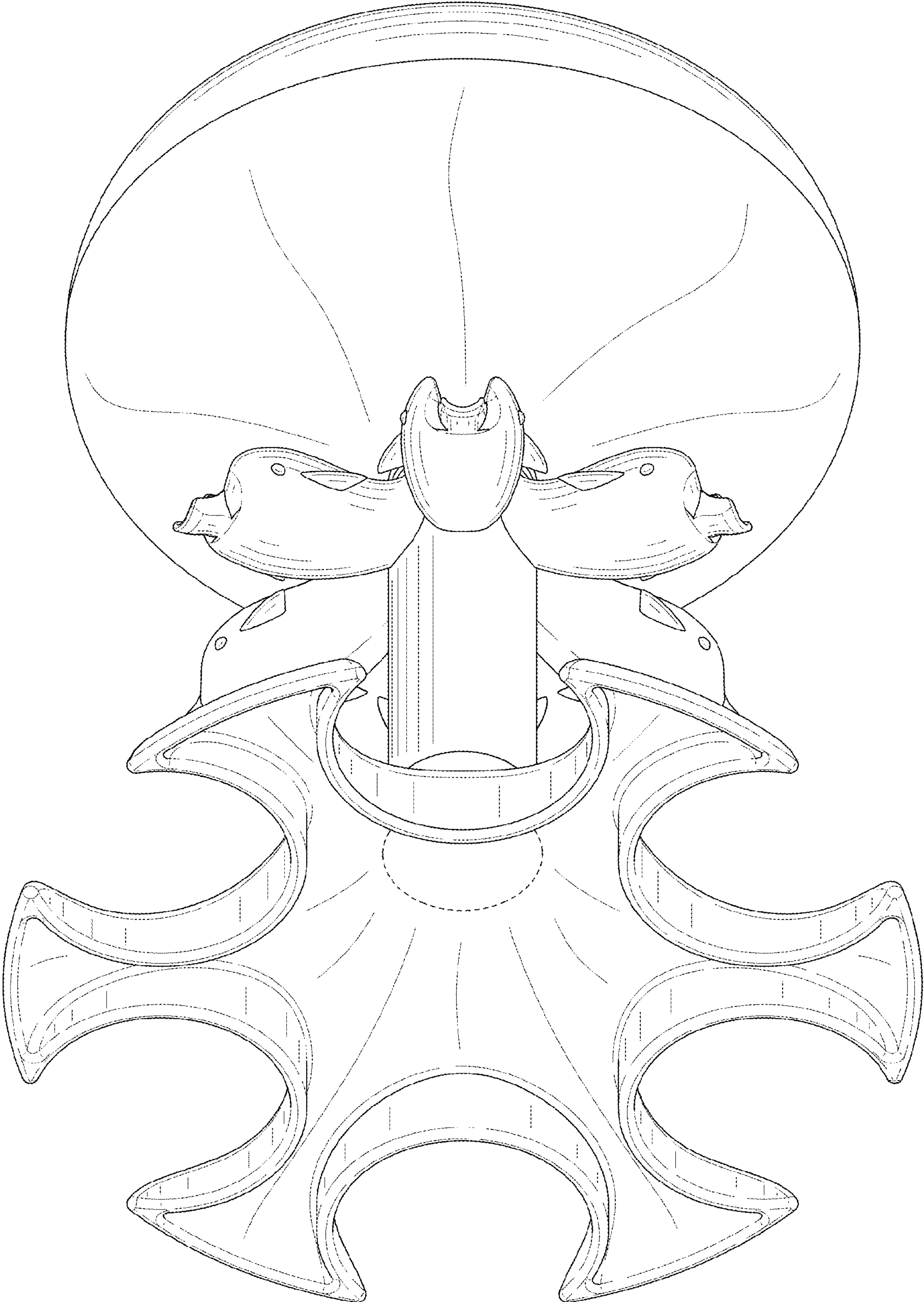


FIG. 2

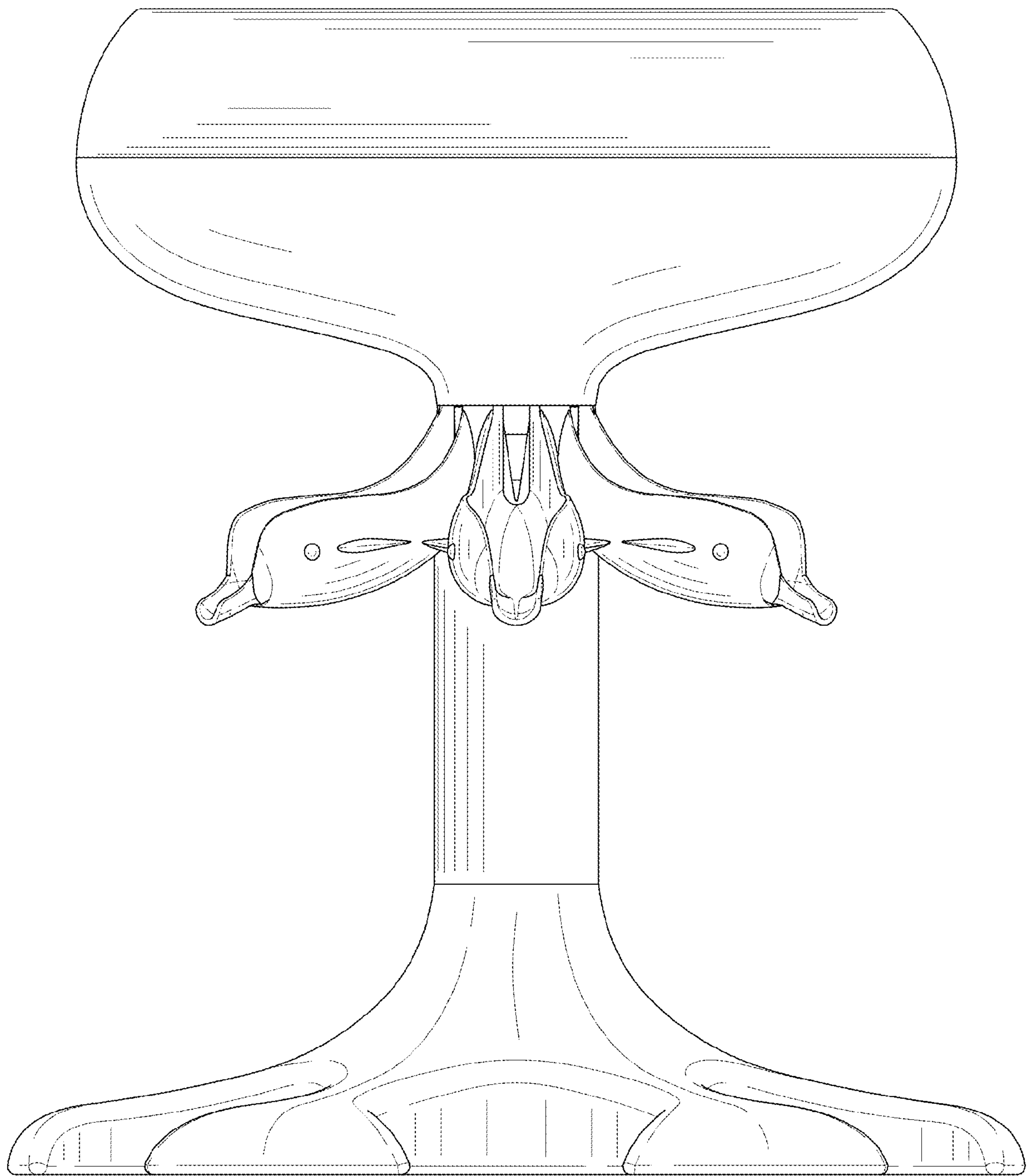


FIG. 3

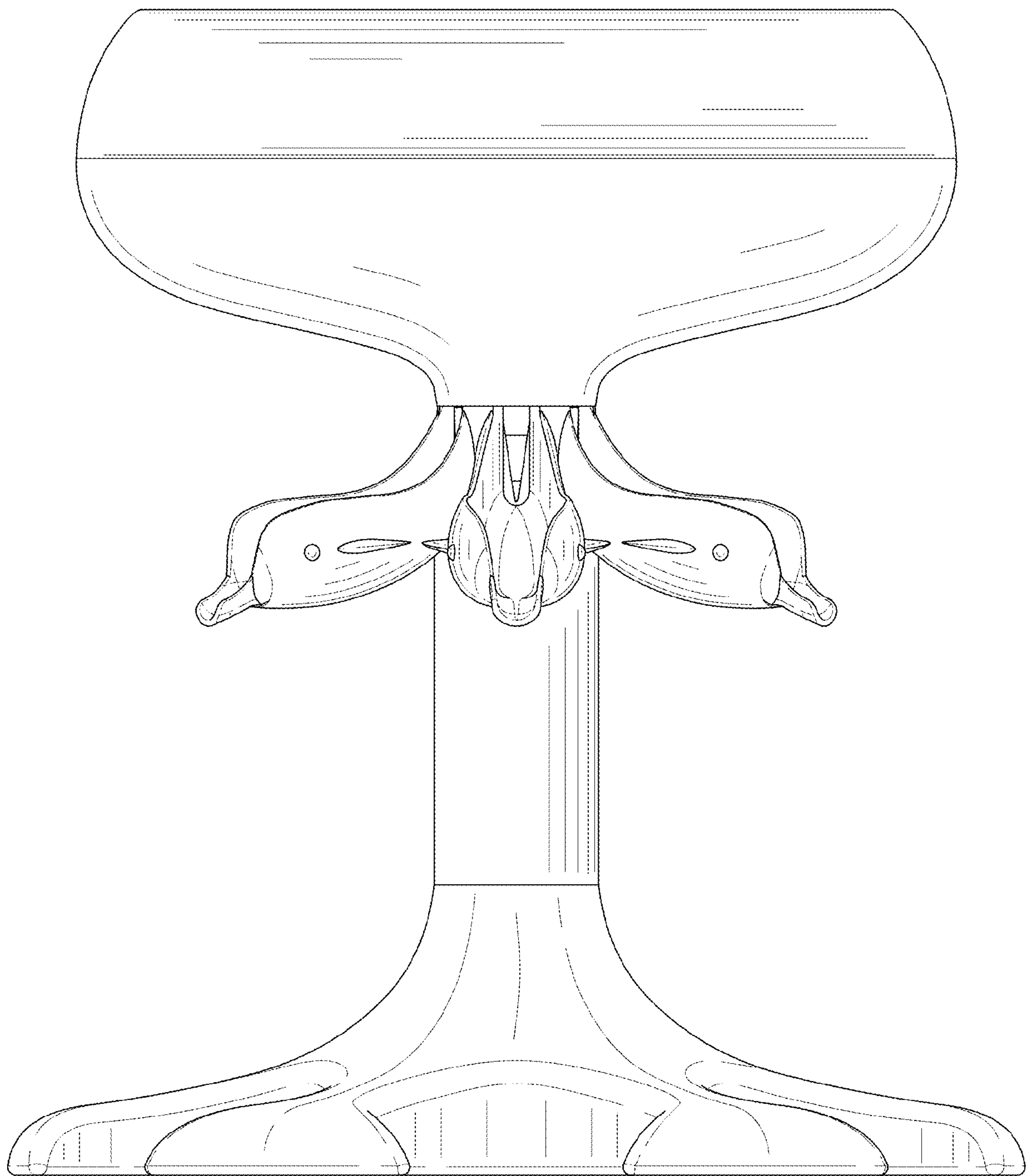


FIG. 4

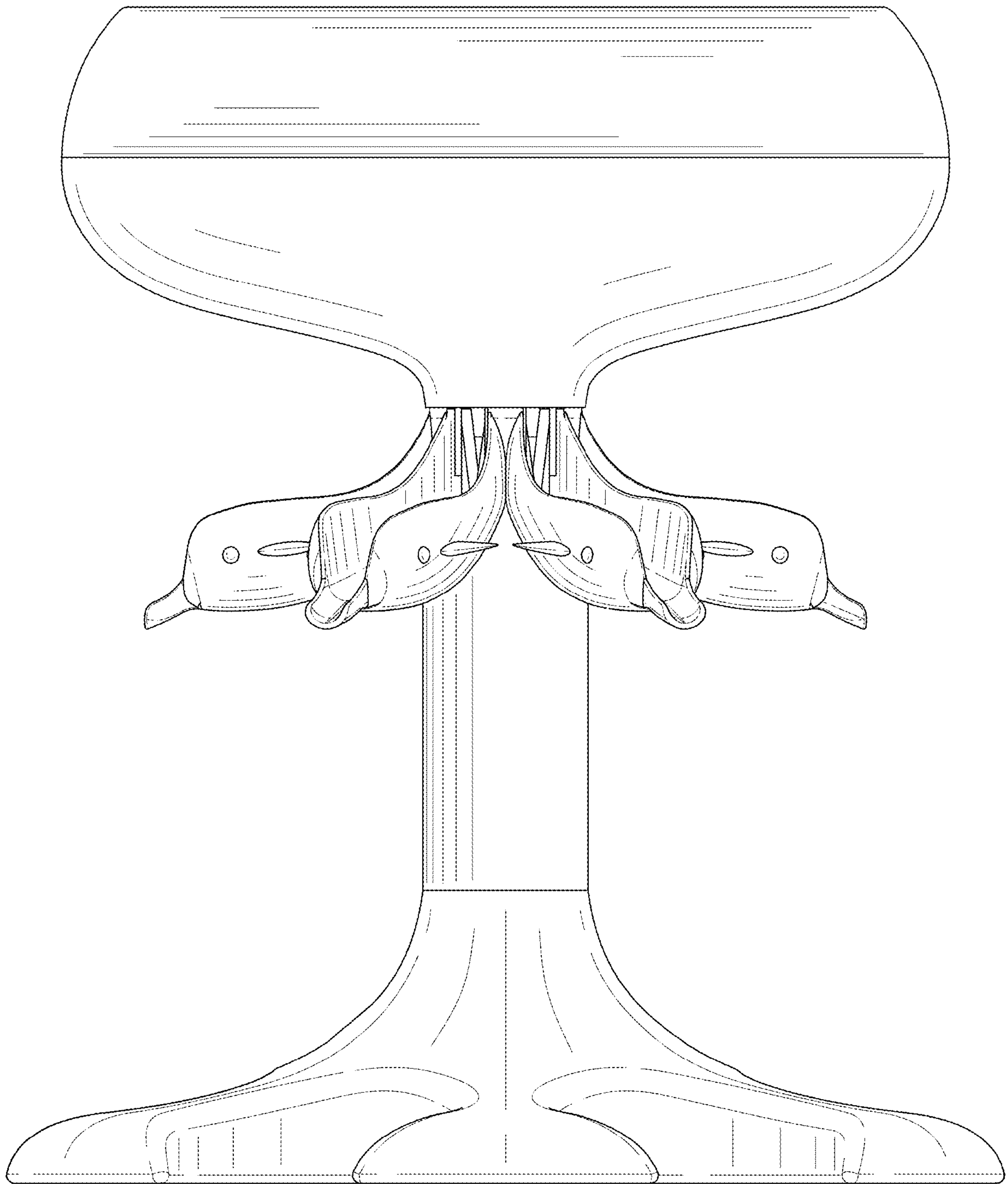


FIG. 5

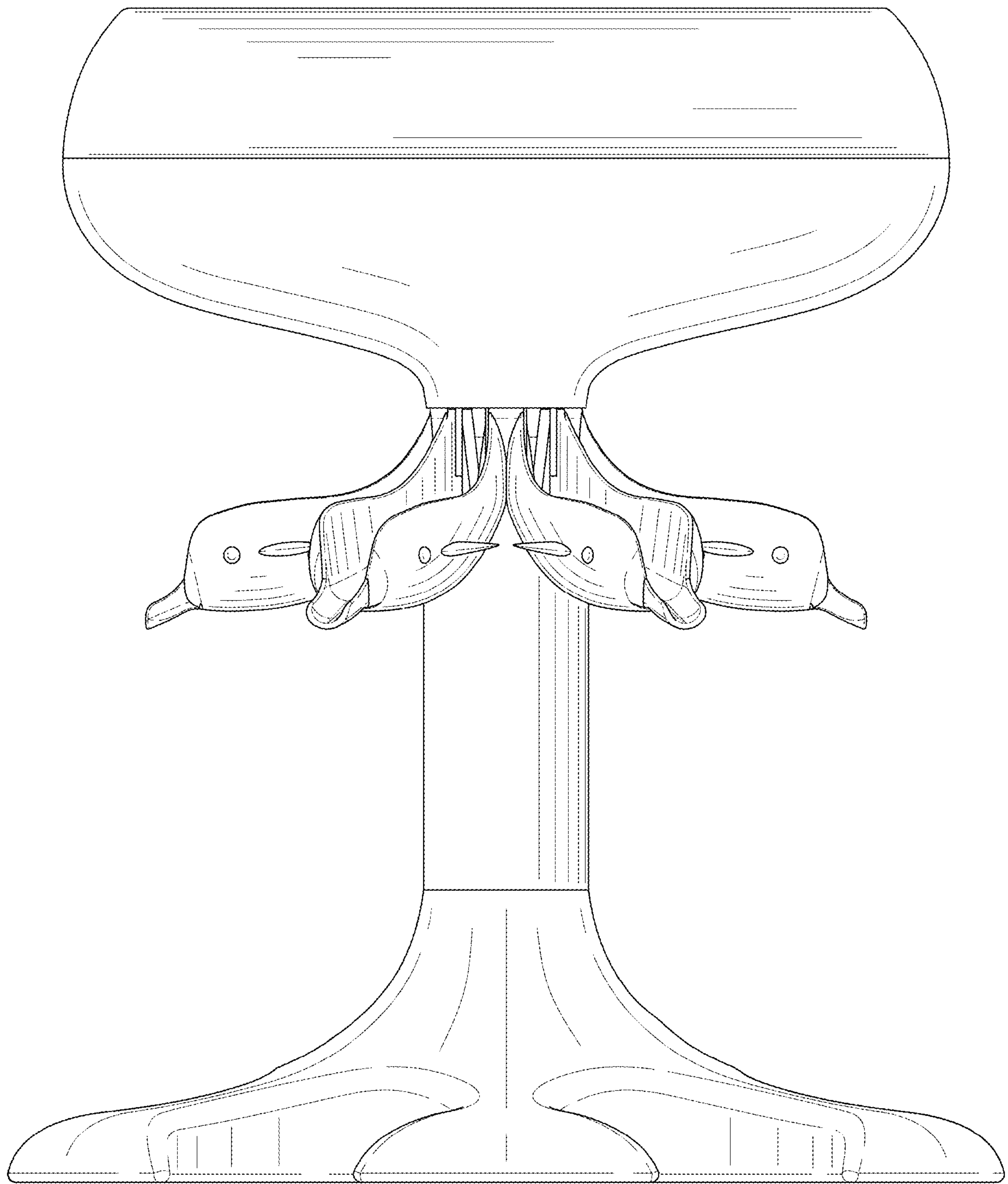


FIG. 6

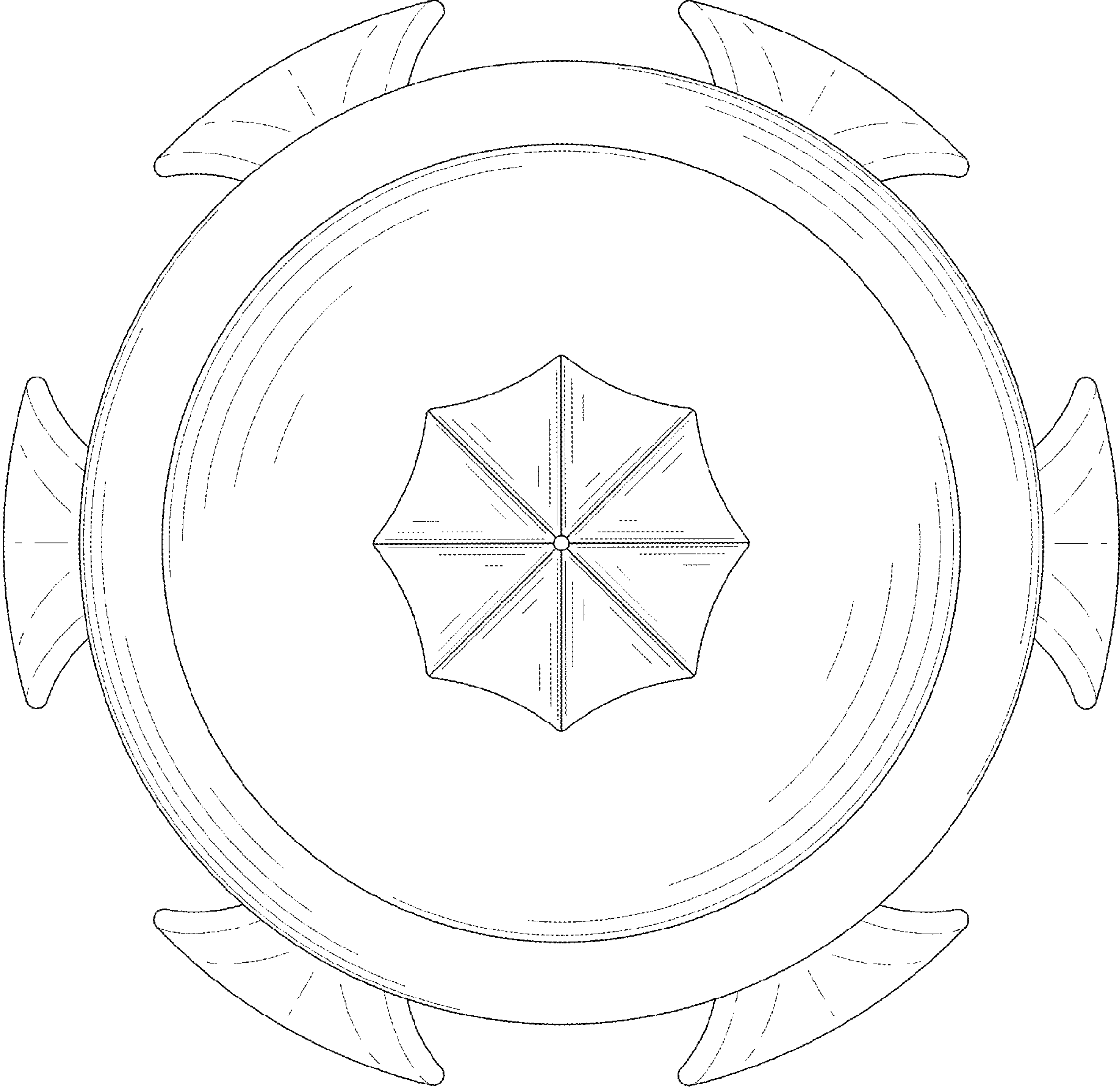


FIG. 7

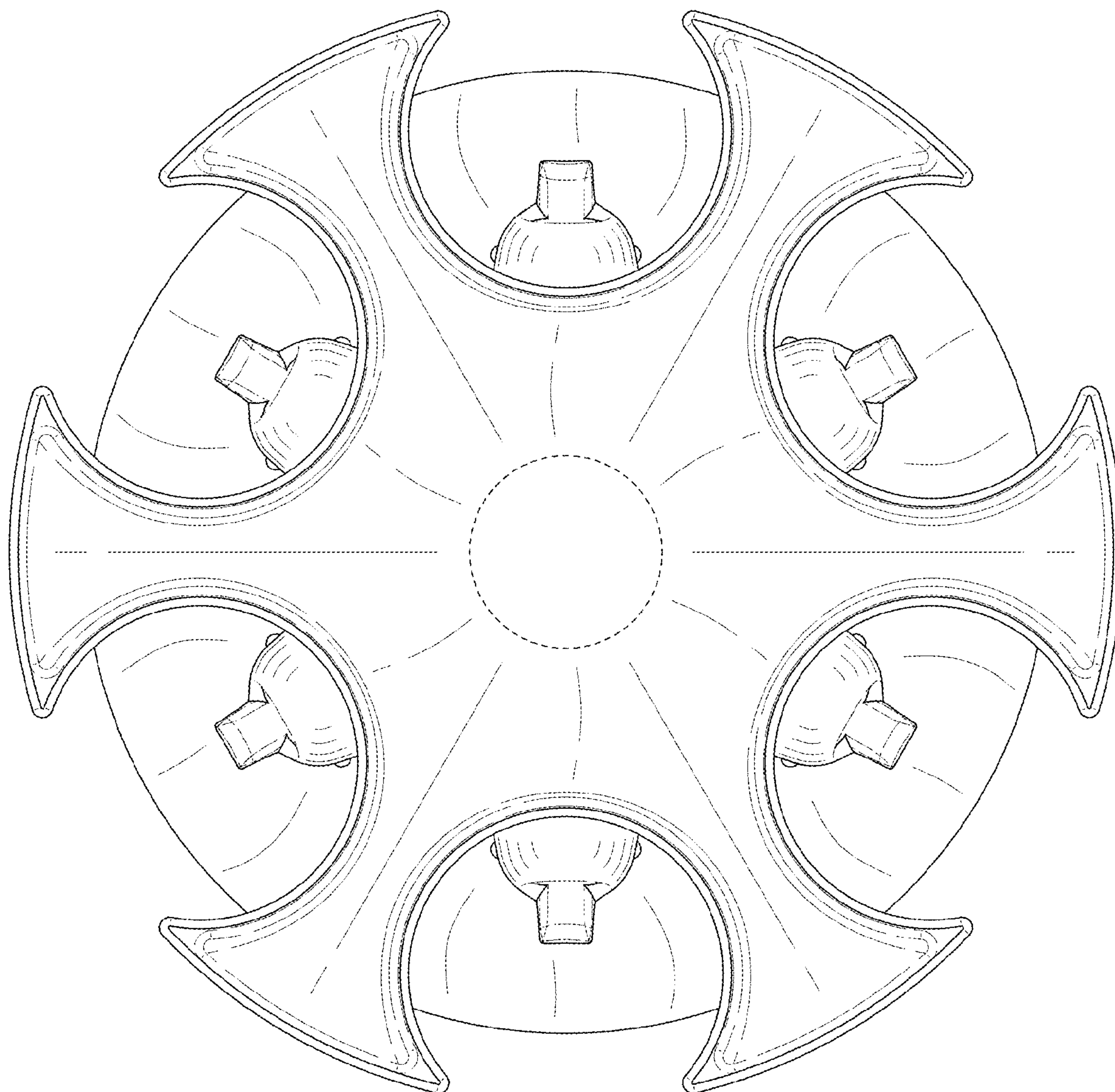


FIG. 8

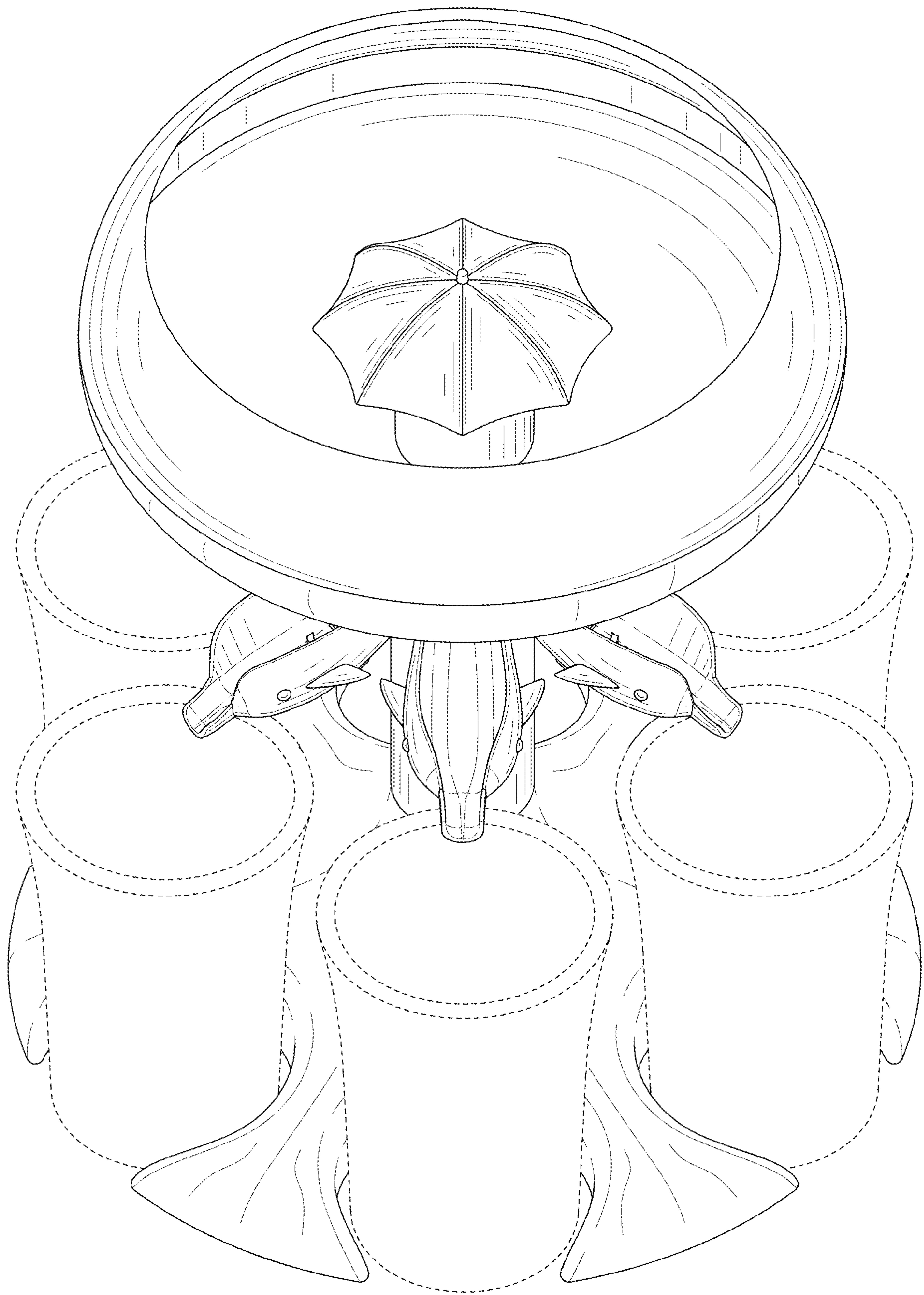


FIG. 9

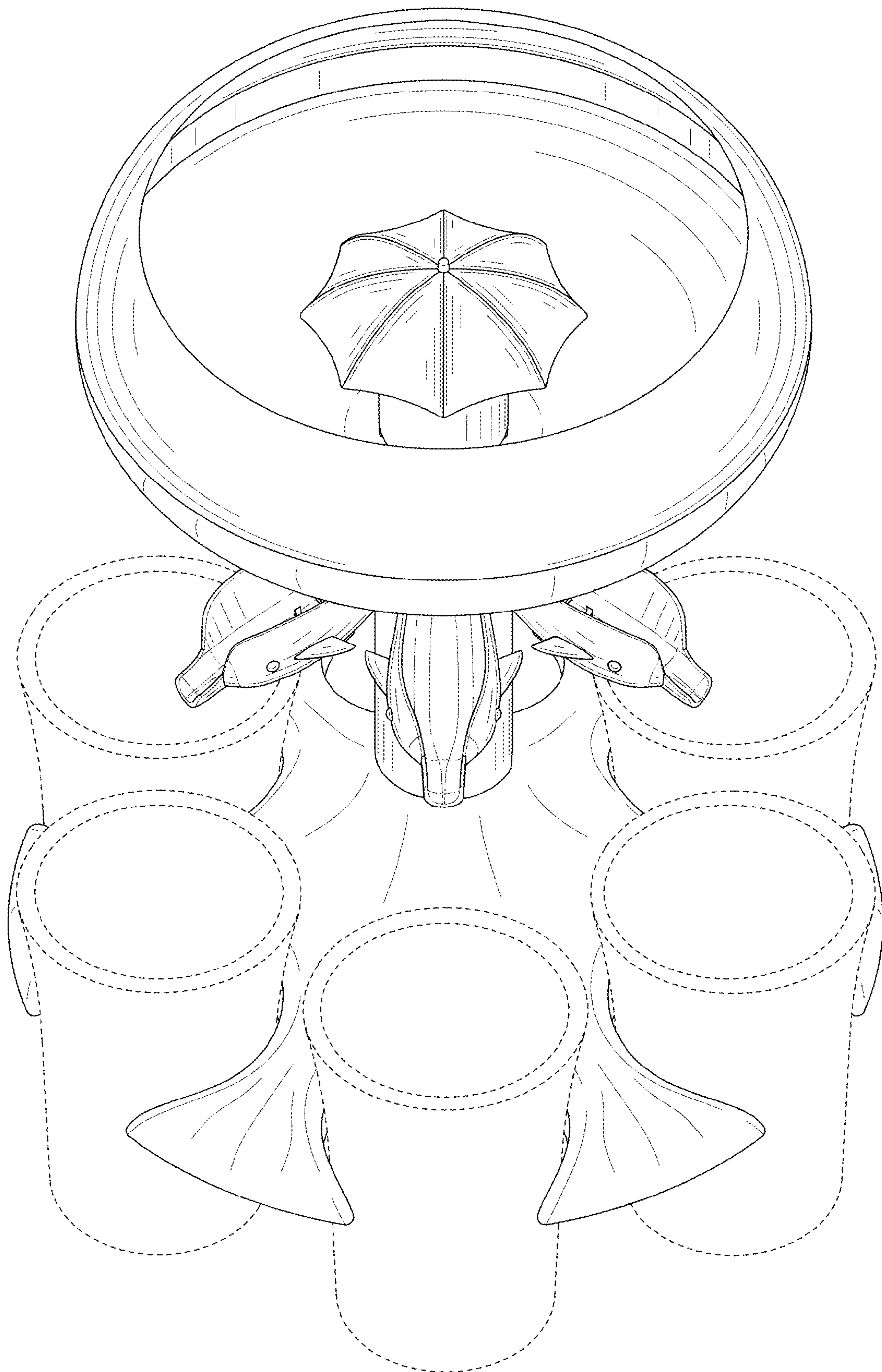


FIG. 10

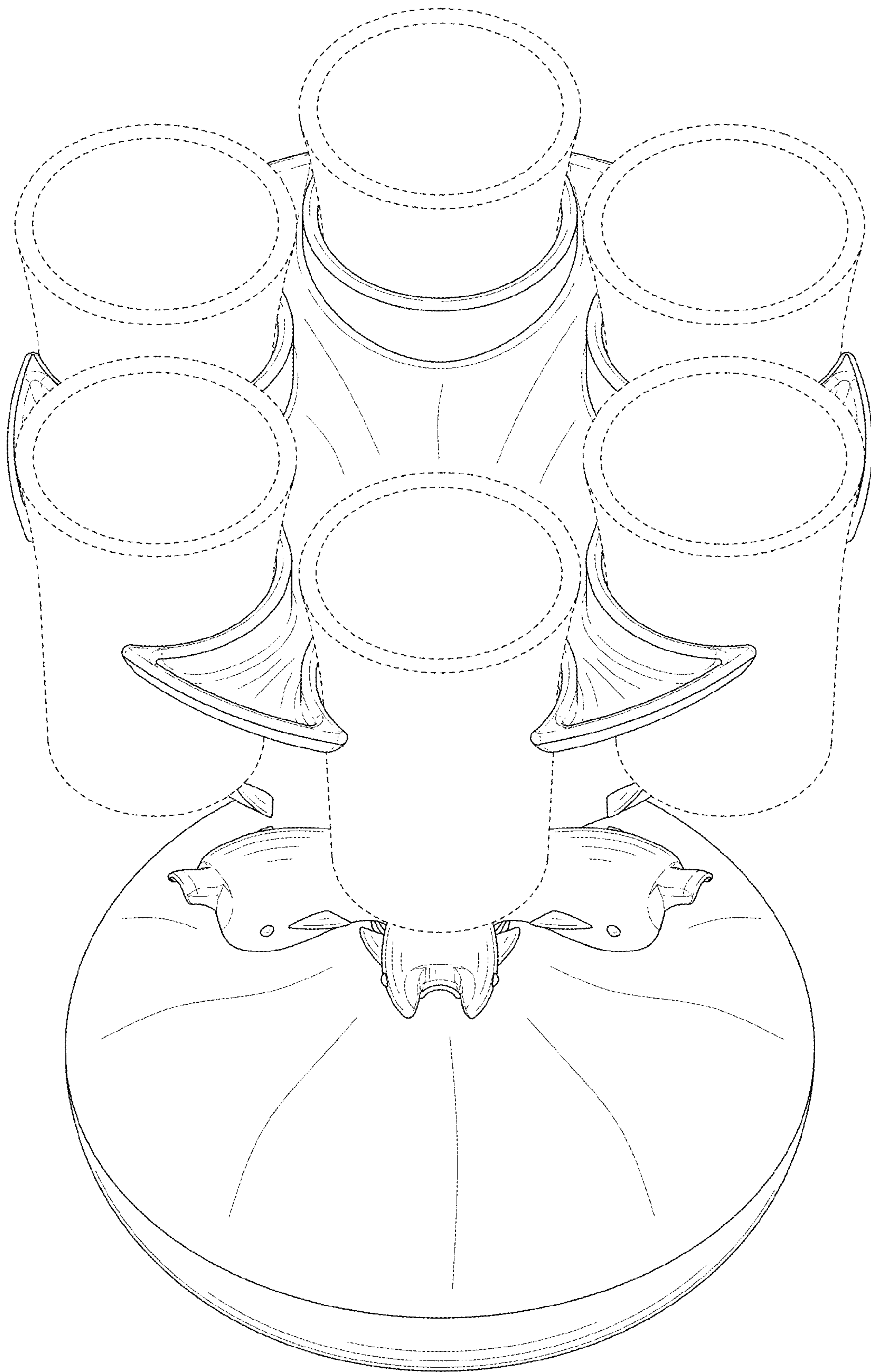


FIG. 11

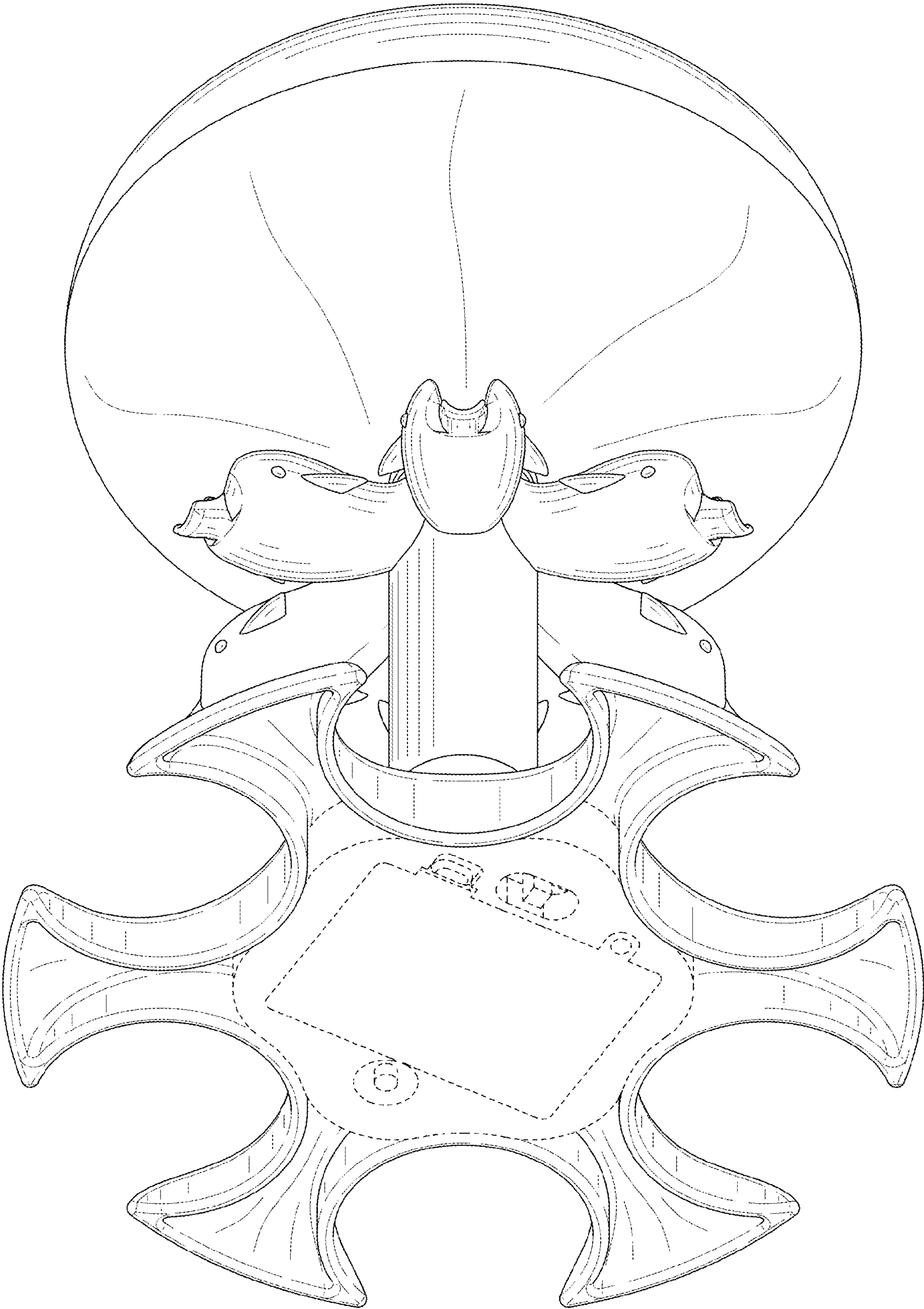


FIG. 12