

US00D964786S

(12) **United States Design Patent** (10) **Patent No.:** **US D964,786 S**  
**Waterbury et al.** (45) **Date of Patent:** **\*\* \*Sep. 27, 2022**

(54) **DISPLAY FIXTURE**

(71) Applicant: **TARGET BRANDS, INC.**,  
Minneapolis, MN (US)  
(72) Inventors: **Todd Waterbury**, New York City, NY  
(US); **Jacob Pasterski**, Minneapolis,  
MN (US); **Ted C. Halbur**, Lino Lakes,  
MN (US); **Aaron Muther**, Champlin,  
MN (US); **Patricia A. Pulsifer**, Saint  
Louis Park, MN (US)

(73) Assignee: **Target Brands, Inc.**, Minneapolis, MN  
(US)

(\* ) Notice: This patent is subject to a terminal dis-  
claimer.

(\*\*) Term: **15 Years**

(21) Appl. No.: **29/749,110**

(22) Filed: **Sep. 2, 2020**

**Related U.S. Application Data**

(62) Division of application No. 29/659,524, filed on Aug.  
9, 2018, now abandoned.

(51) **LOC (13) Cl.** ..... **06-04**

(52) **U.S. Cl.**  
USPC ..... **D6/674**

(58) **Field of Classification Search**  
USPC ..... D3/201, 304, 305, 306, 307, 308, 312,  
D3/314, 315; D6/672, 674, 683, 525;  
D32/37  
CPC ..... B65D 11/00; B65D 11/14; B65D 1/38;  
D06F 95/002; A45C 3/04; A45C 13/26;  
Y10S 206/821

See application file for complete search history.

(56) **References Cited**

U.S. PATENT DOCUMENTS

D155,392 S	10/1949	Danielson	
4,478,344 A *	10/1984	Rehrig .....	B65D 1/38 206/505
D279,430 S	7/1985	McLeroy	
D283,966 S	5/1986	Carlson	
D321,437 S	11/1991	Cheng	
D326,550 S *	5/1992	Waterman .....	D3/307
D326,552 S *	5/1992	Goodell .....	D3/312
D327,560 S *	6/1992	Hradisky .....	D3/307

(Continued)

*Primary Examiner* — Steven J Czyz

(74) *Attorney, Agent, or Firm* — JoAnn M. Seaton;  
Griffiths & Seaton PLLC

(57) **CLAIM**

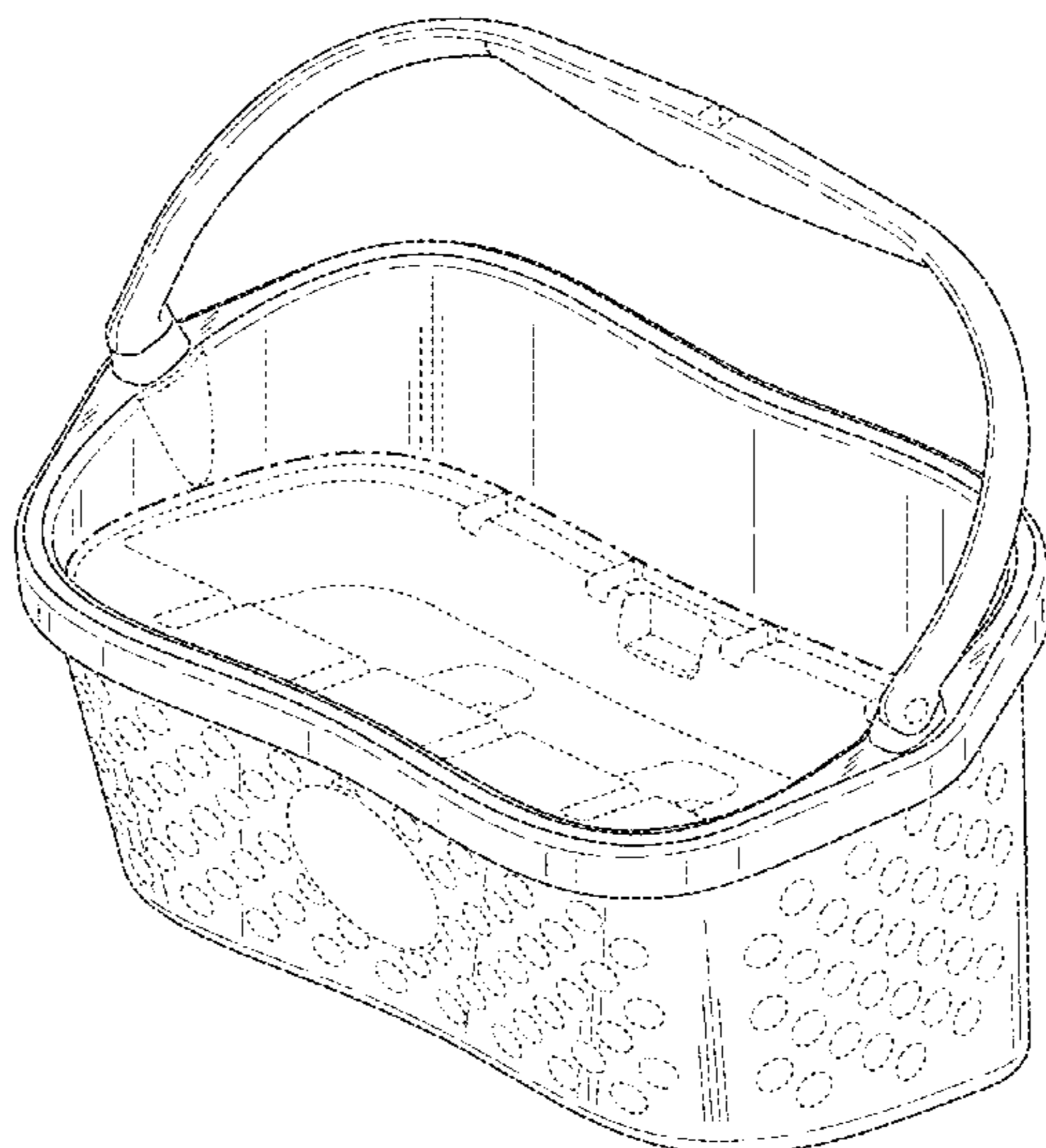
The ornamental design for a display fixture, as shown and  
described.

**DESCRIPTION**

FIG. 1 is a top, front perspective view of a display fixture  
showing an embodiment of our new design;  
FIG. 2 is a front view thereof;  
FIG. 3 is a rear view thereof;  
FIG. 4 is a left side view thereof  
FIG. 5 is a right side view thereof;  
FIG. 6 is a top view thereof;  
FIG. 7 is a bottom view thereof.  
FIG. 8 is a top, front perspective view of a display fixture  
showing an embodiment of our new design;  
FIG. 9 is a front view thereof;  
FIG. 10 is a rear view thereof;  
FIG. 11 is a left side view thereof  
FIG. 12 is a right side view thereof;  
FIG. 13 is a top view thereof; and,  
FIG. 14 is a bottom view thereof.

In the drawings, the broken lines depict portions of the  
display fixture forming no part of the claimed design. The  
features shown in long dash-short dash bolded broken lines  
indicate the bounds of the claimed design and form no part  
of the claimed design.

**1 Claim, 12 Drawing Sheets**



(56)

References Cited

U.S. PATENT DOCUMENTS

D330,964 S 11/1992 Hampshire  
 D343,711 S 1/1994 Craft et al.  
 D348,128 S \* 6/1994 Craft ..... D32/37  
 D351,266 S \* 10/1994 Licari ..... D32/37  
 5,469,986 A \* 11/1995 Jang ..... B65D 1/38  
 220/772  
 D364,961 S \* 12/1995 Rehrig ..... D3/307  
 D382,999 S \* 9/1997 Rehrig ..... D3/314  
 D383,671 S 9/1997 Phillips  
 D384,815 S \* 10/1997 Rehrig ..... D3/318  
 D389,621 S \* 1/1998 Short ..... D32/37  
 5,715,968 A \* 2/1998 Fink ..... A45C 3/04  
 220/772  
 D395,362 S \* 6/1998 Fink ..... D3/307  
 D397,250 S \* 8/1998 Fink ..... D3/309  
 D401,065 S \* 11/1998 Peltola ..... D3/304  
 D401,067 S \* 11/1998 Hampshire ..... D3/309  
 D412,046 S 7/1999 Rehrig et al.  
 D421,336 S \* 3/2000 Demore ..... D3/304  
 6,039,205 A \* 3/2000 Flink ..... B65D 25/205  
 206/520  
 D438,010 S \* 2/2001 Drury ..... D3/307  
 D444,035 S 6/2001 Austen-Meek  
 D459,077 S \* 6/2002 Krivulin ..... D3/307  
 D466,301 S \* 12/2002 Sofy ..... D3/307  
 D471,383 S 3/2003 Linz  
 D471,713 S \* 3/2003 Speed ..... D3/307  
 D474,603 S \* 5/2003 Berenguer ..... D3/307  
 D477,145 S \* 7/2003 Sofy ..... D3/307  
 D495,529 S 9/2004 Goodell  
 D496,272 S 9/2004 Jackson et al.  
 D497,253 S \* 10/2004 Alves ..... D3/309  
 D522,774 S 6/2006 Sagol  
 D536,874 S \* 2/2007 Splain ..... D3/307  
 D546,511 S \* 7/2007 Luster ..... D32/37  
 D553,361 S \* 10/2007 Splain ..... D3/304  
 D563,620 S \* 3/2008 Dong ..... D34/19

D564,229 S \* 3/2008 Splain ..... D3/304  
 D564,758 S \* 3/2008 Drury ..... D3/304  
 D584,020 S \* 12/2008 McNamara ..... D32/37  
 D611,709 S \* 3/2010 Ceravolo ..... D3/304  
 7,780,036 B2 \* 8/2010 Splain ..... A45C 13/26  
 206/505  
 D624,754 S \* 10/2010 van Wijk ..... D3/308  
 D681,334 S \* 5/2013 Goodell ..... D3/312  
 D691,341 S 10/2013 Barre et al.  
 D728,939 S \* 5/2015 Suomela ..... D3/304  
 D730,588 S 5/2015 Risser et al.  
 D738,624 S \* 9/2015 Kolste ..... D3/307  
 9,481,960 B2 \* 11/2016 Sofy ..... B65D 25/30  
 D775,830 S \* 1/2017 Duvigneau ..... D3/304  
 D777,434 S \* 1/2017 Duvigneau ..... D3/307  
 D789,689 S \* 6/2017 Goodman ..... D3/304  
 D794,959 S \* 8/2017 Takagaki ..... D3/307  
 D799,213 S \* 10/2017 Goodman ..... D3/304  
 D801,049 S \* 10/2017 Mutoh ..... D3/304  
 D802,925 S \* 11/2017 Cassel ..... D3/304  
 D804,181 S \* 12/2017 Takagaki ..... D3/307  
 D804,184 S \* 12/2017 Mutoh ..... D3/318  
 D819,971 S \* 6/2018 Lindsay ..... D3/312  
 D826,559 S \* 8/2018 Mutoh ..... D3/304  
 10,077,137 B1 \* 9/2018 Wang ..... B65D 1/38  
 D831,920 S \* 10/2018 Duvigneau ..... D32/37  
 D831,963 S \* 10/2018 Hernandez ..... D3/312  
 D838,117 S \* 1/2019 Archila ..... D6/525  
 D838,979 S 1/2019 Goodman et al.  
 10,167,591 B1 \* 1/2019 Rodgers, Jr. .... D06F 95/002  
 D848,188 S 5/2019 Holm  
 D854,324 S \* 7/2019 Tsui ..... D3/304  
 10,414,546 B2 \* 9/2019 Hernandez ..... B65D 21/0212  
 D874,768 S \* 2/2020 Rodgers, Jr. .... D32/37  
 D882,955 S \* 5/2020 Pereira Lourinho ..... D3/314  
 D904,706 S \* 12/2020 Simonetti ..... D3/307  
 11,068,673 B2 \* 7/2021 Kimura ..... G07G 3/00  
 2005/0189360 A1 \* 9/2005 Loucks ..... D06F 95/002  
 220/676

\* cited by examiner

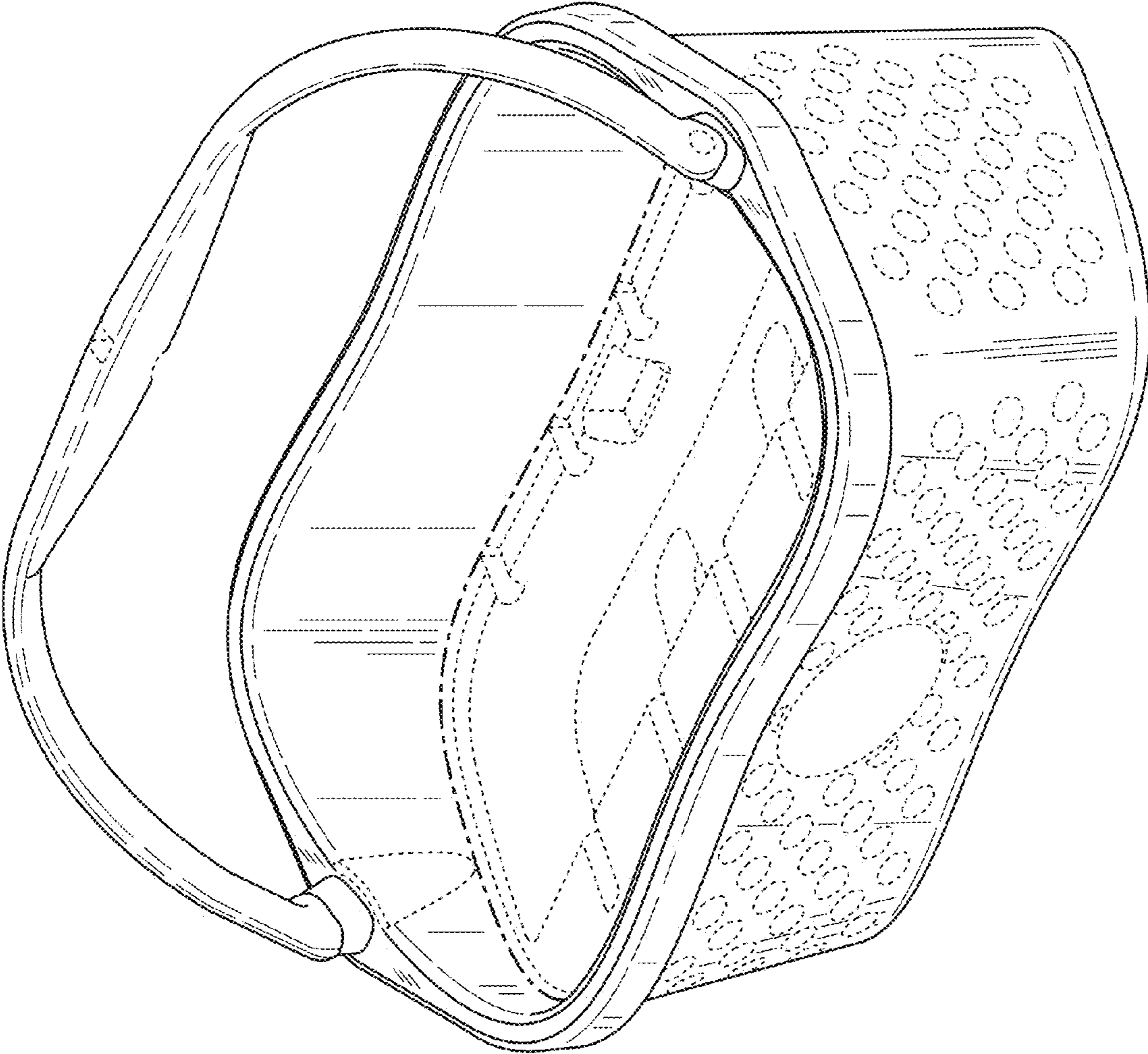


FIG. 1

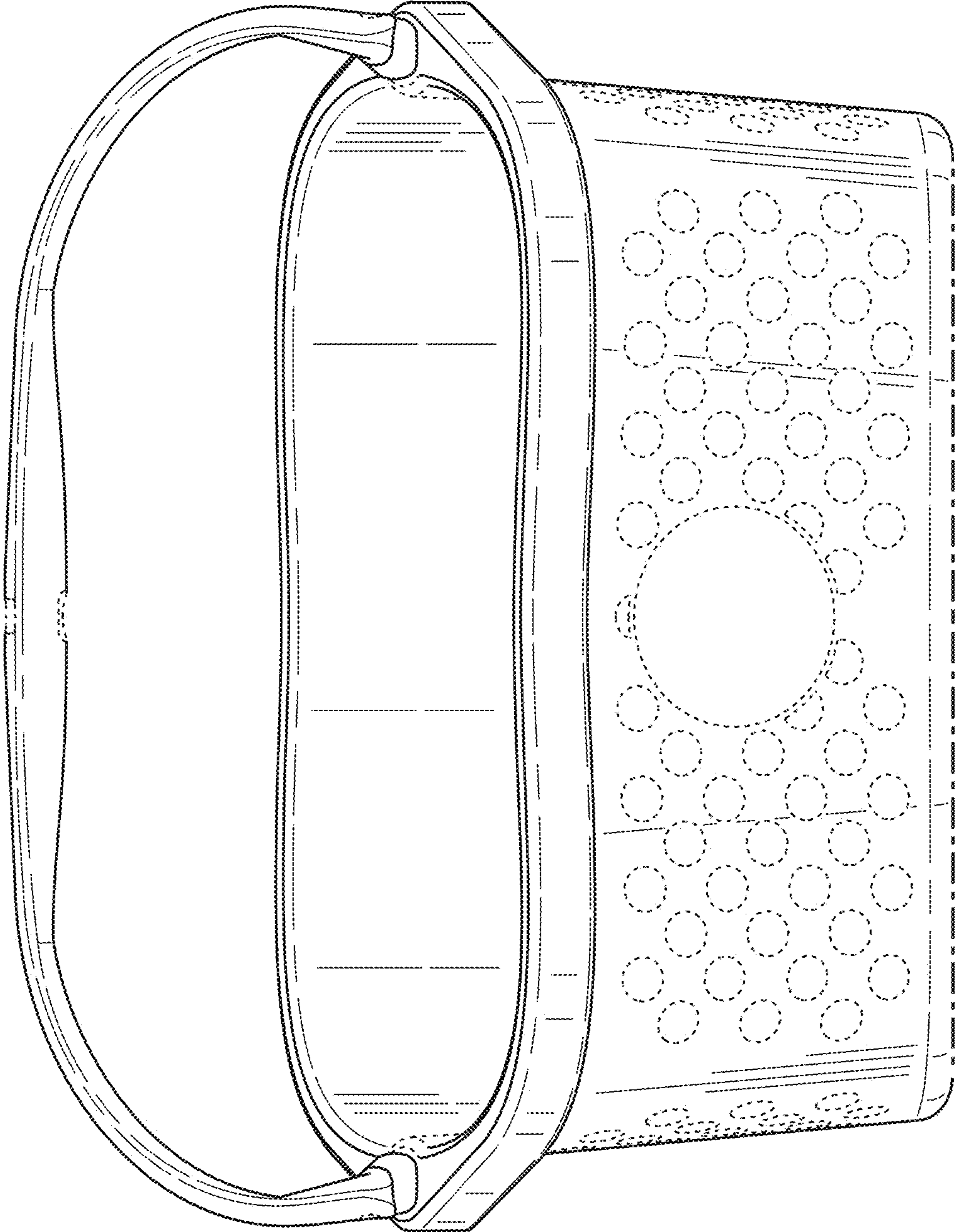


FIG. 2

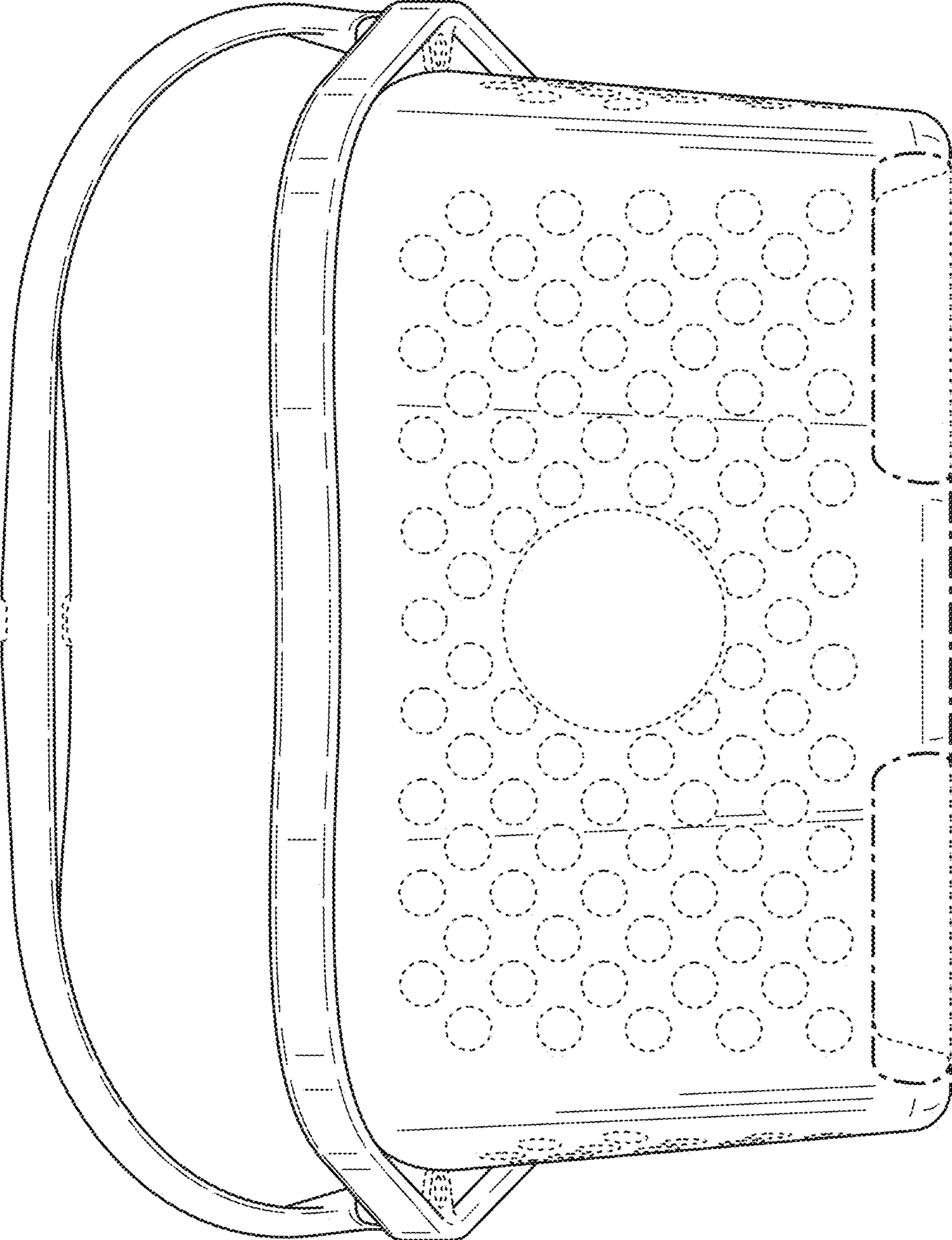


FIG. 3

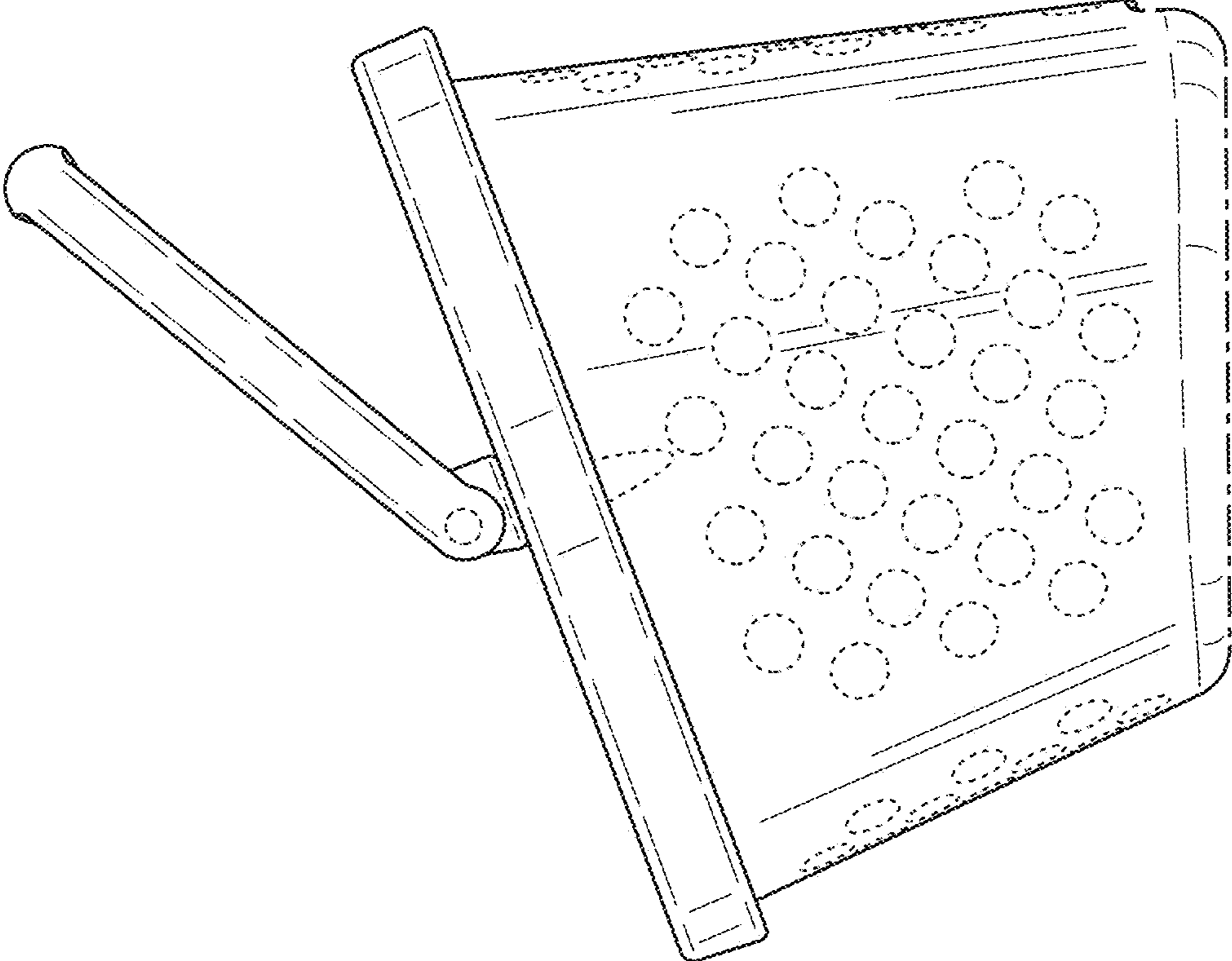


FIG. 5

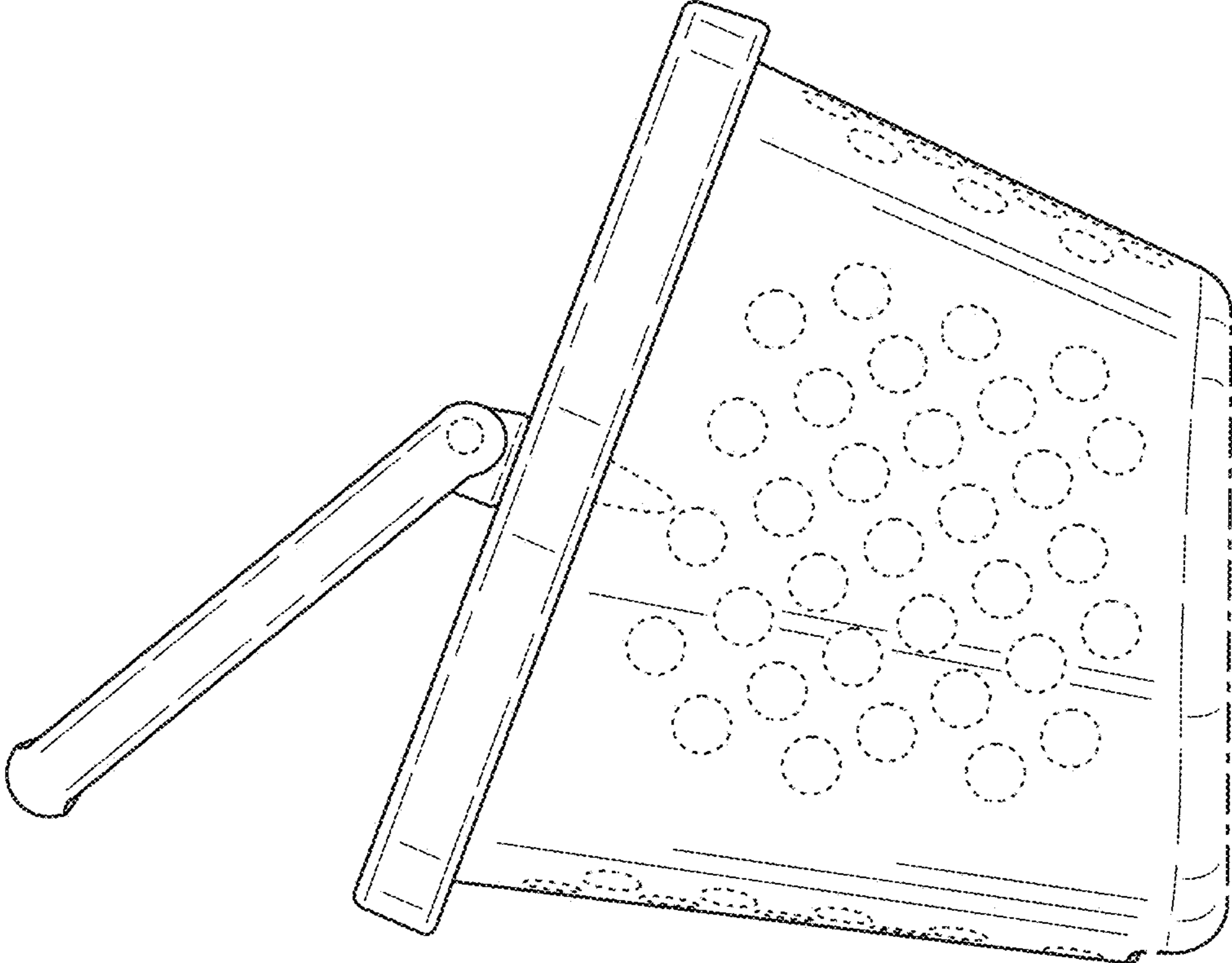


FIG. 4

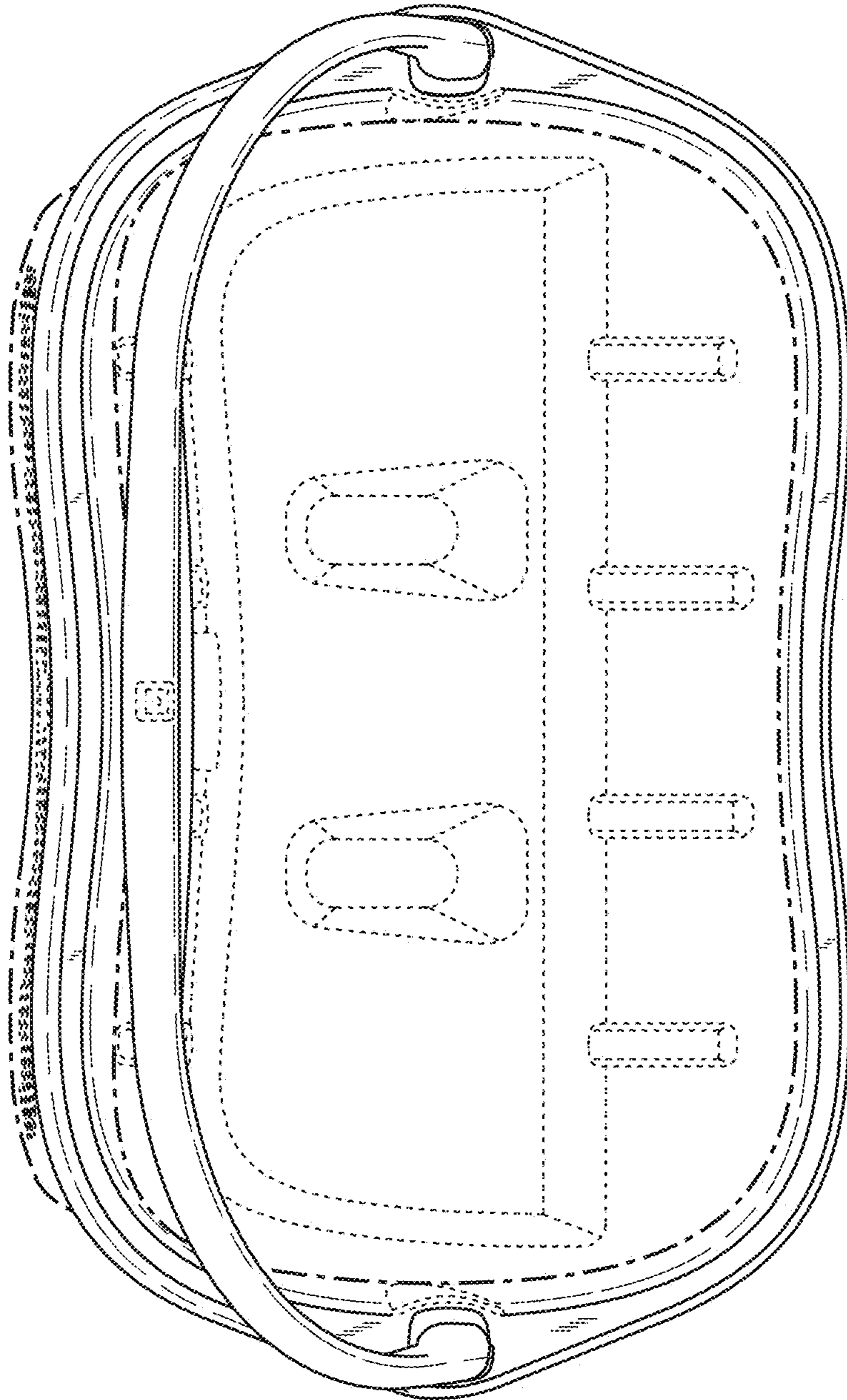


FIG. 6

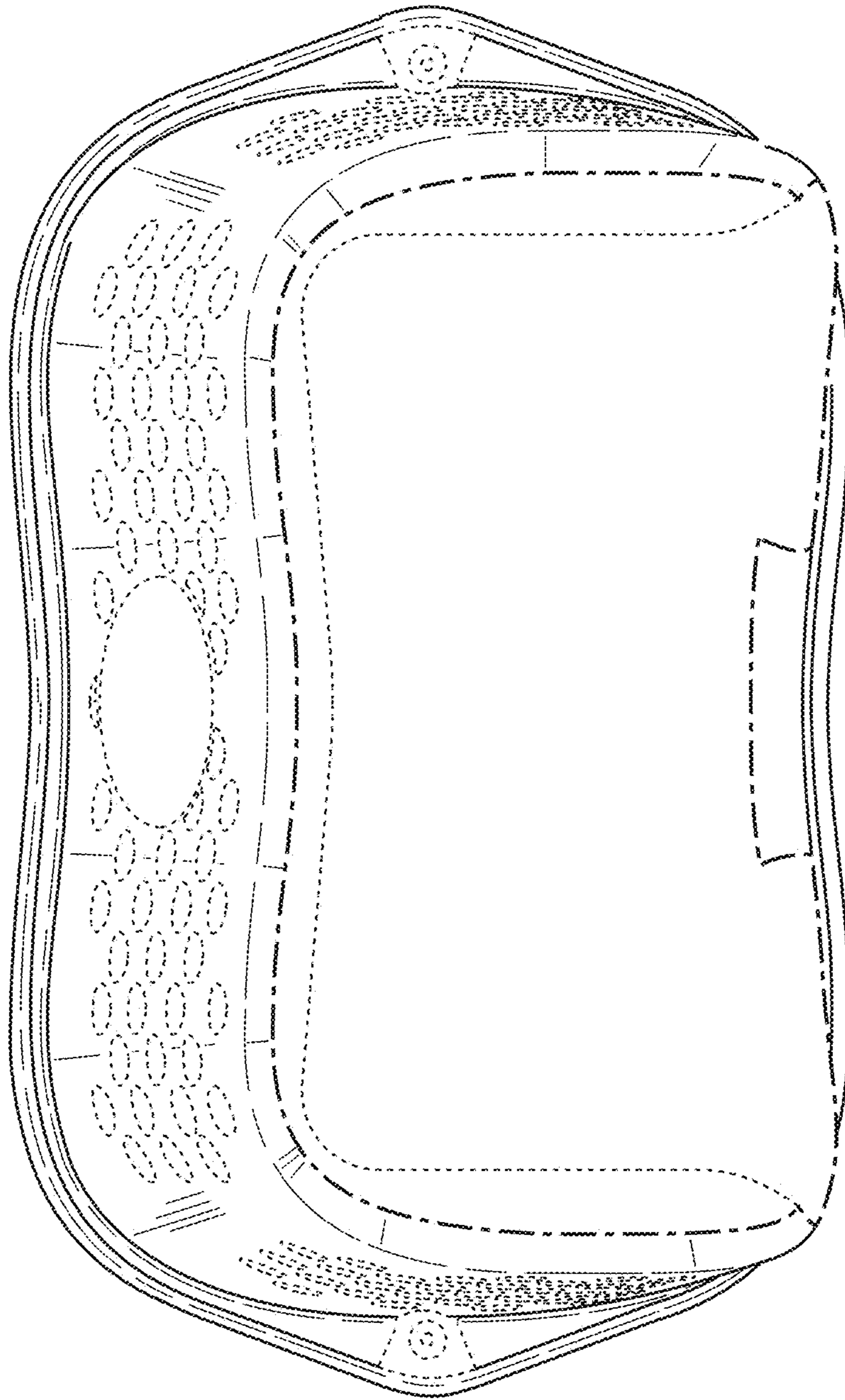


FIG. 7



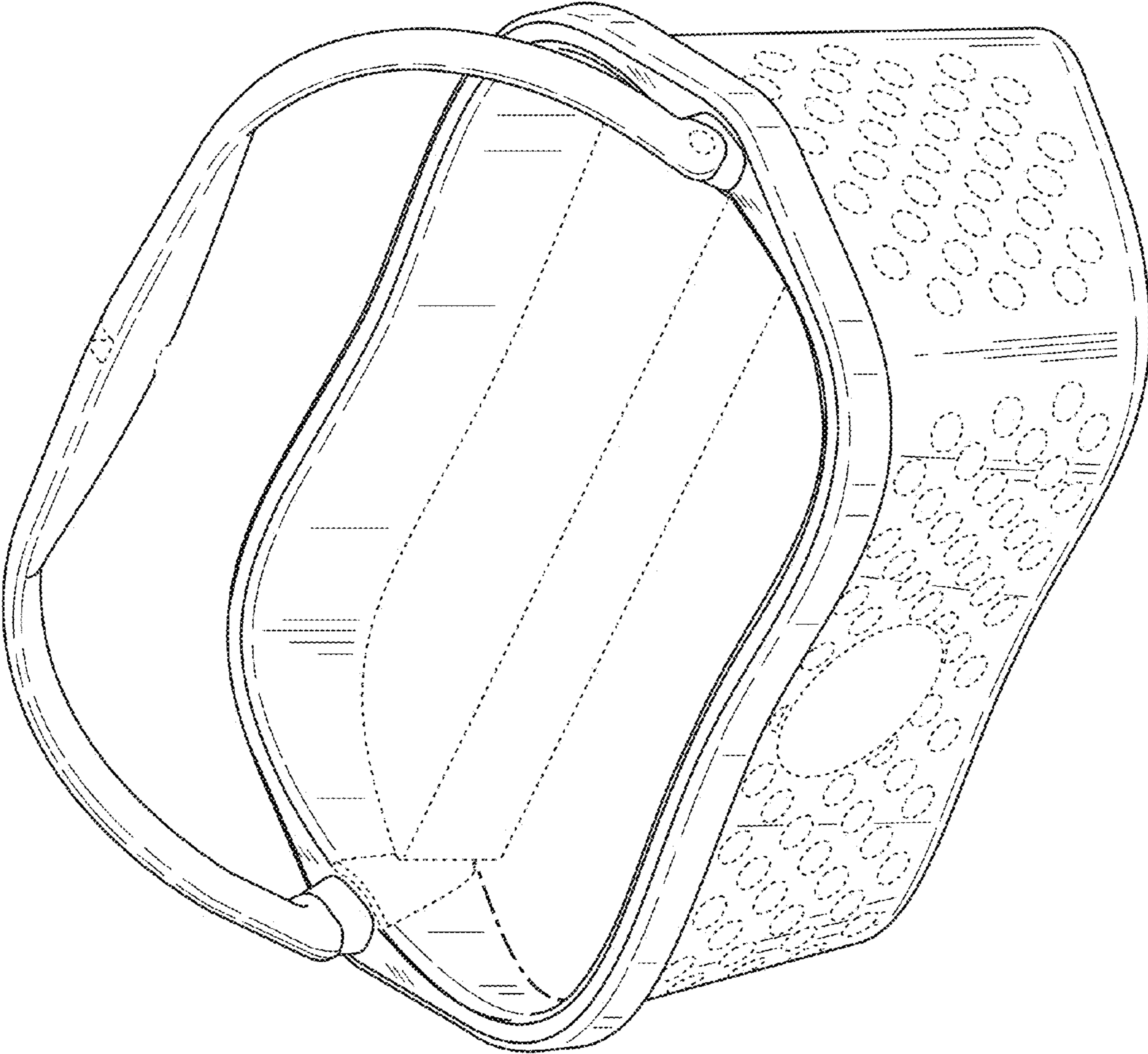


FIG. 8

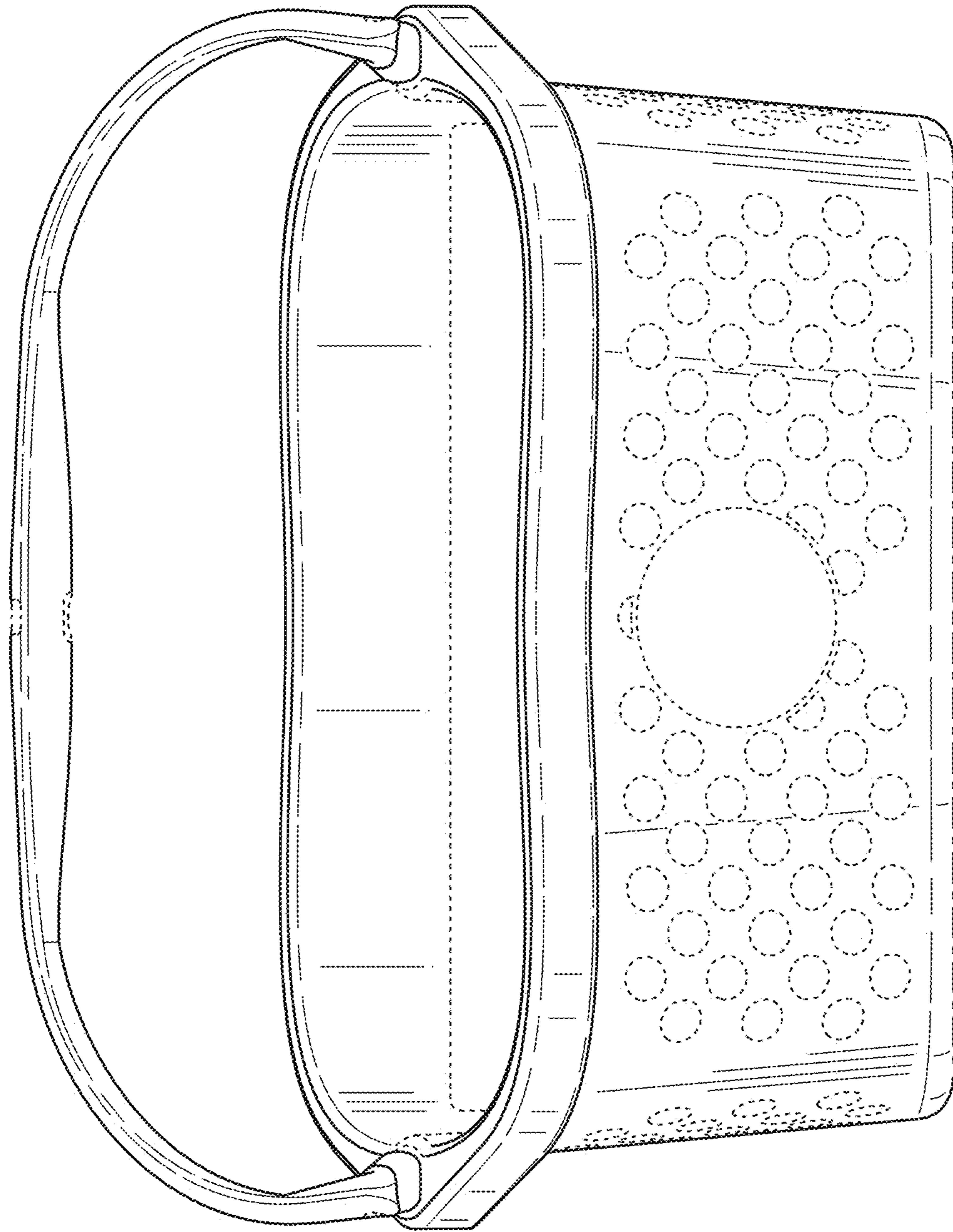


FIG. 9

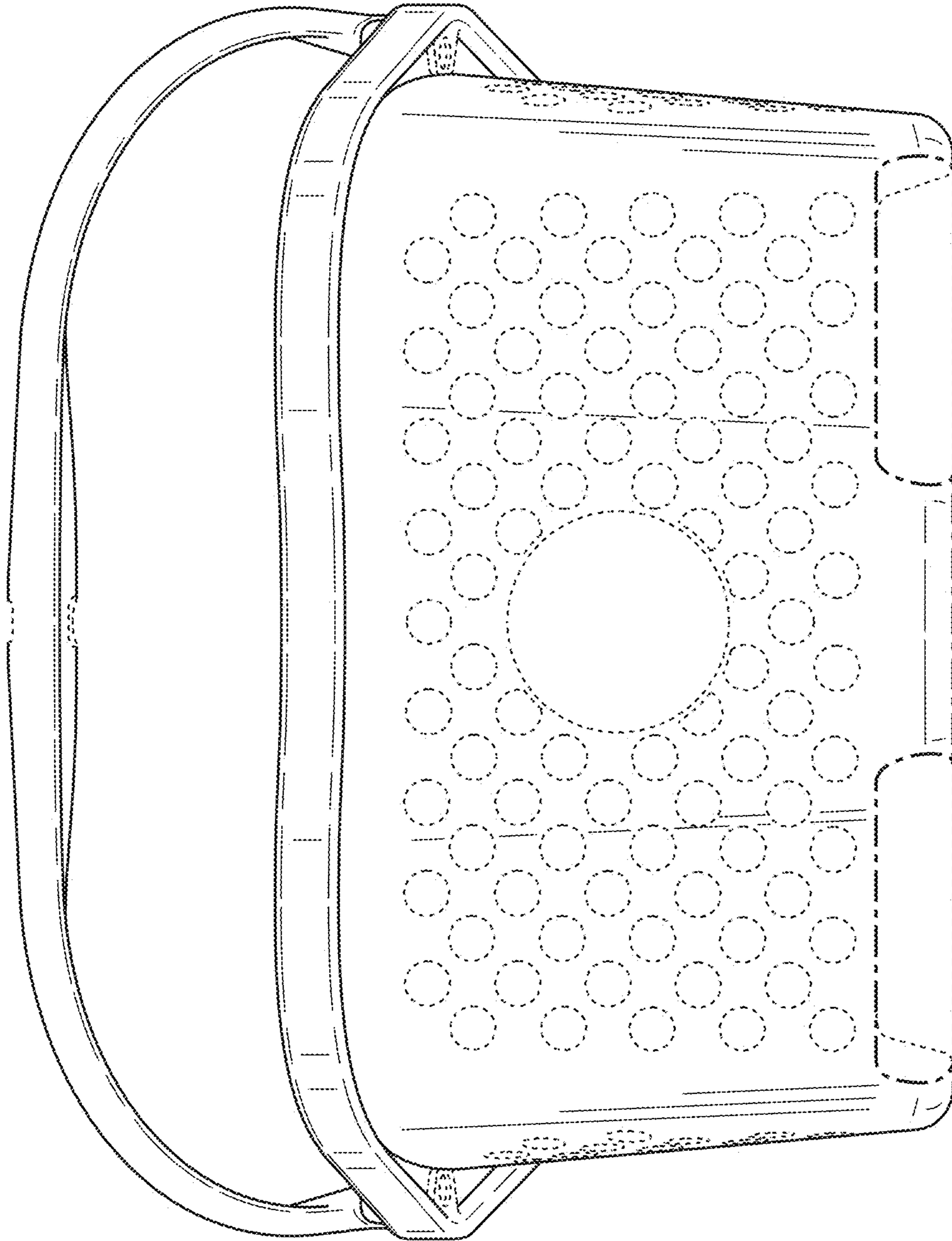


FIG. 10

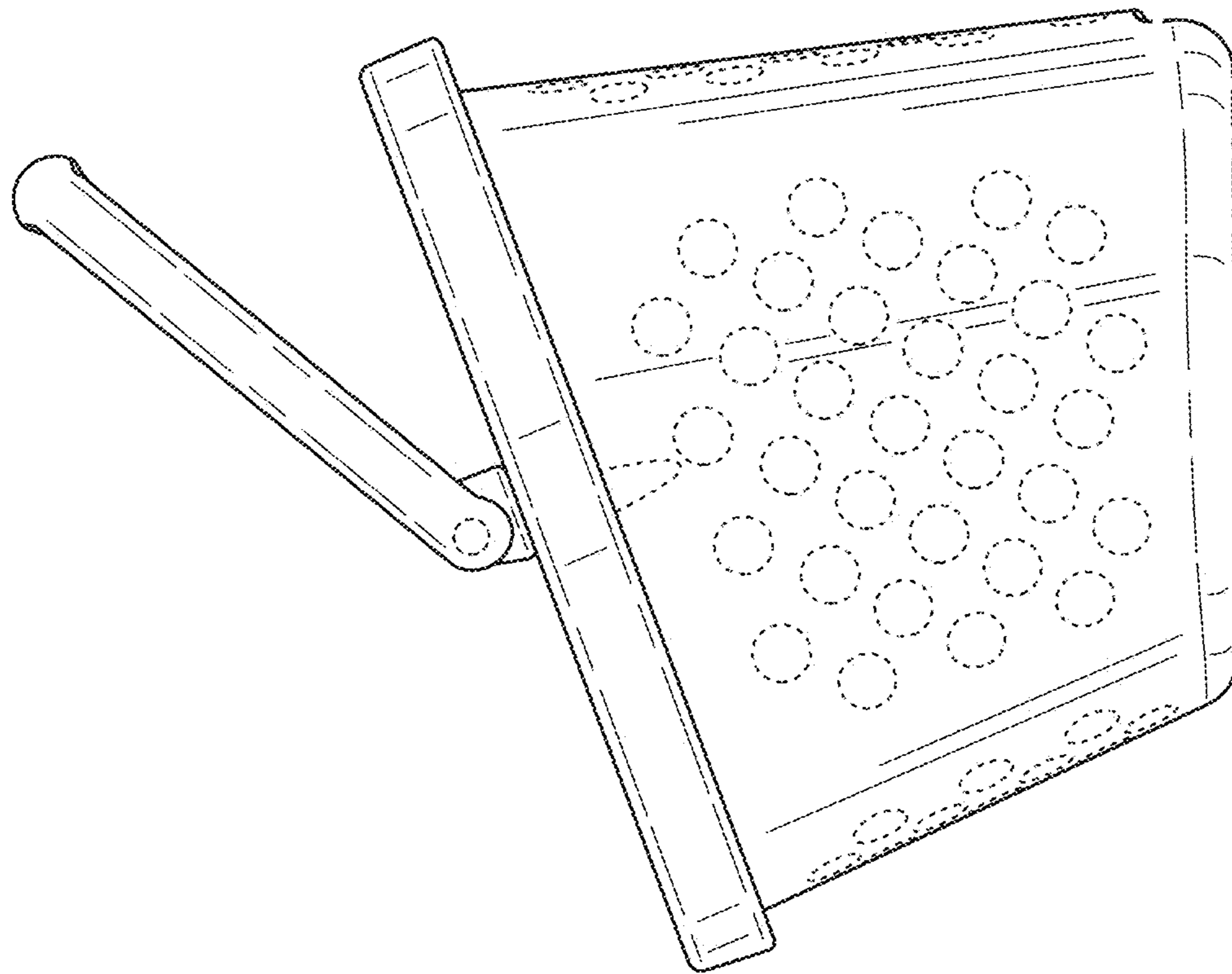


FIG. 11

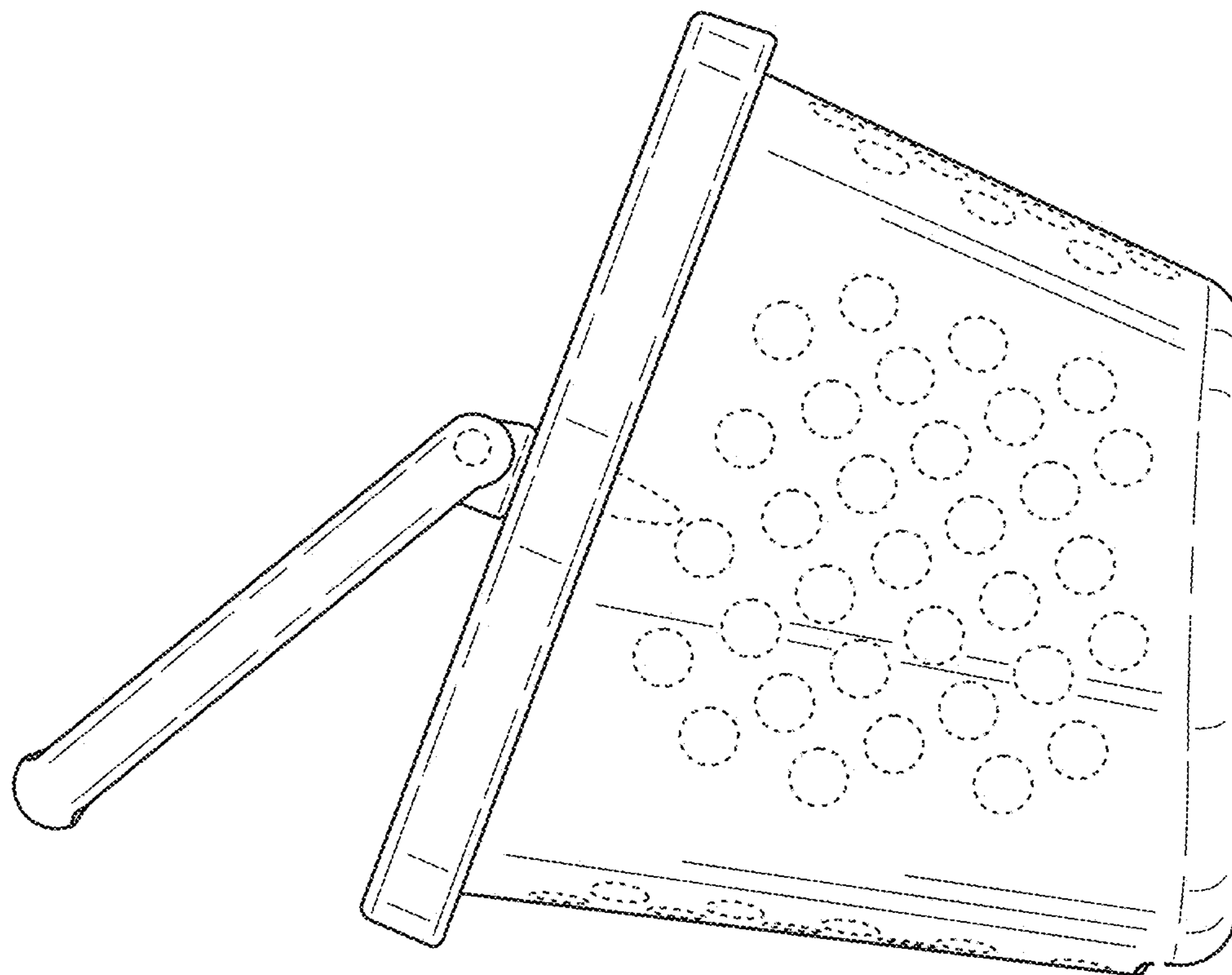


FIG. 12

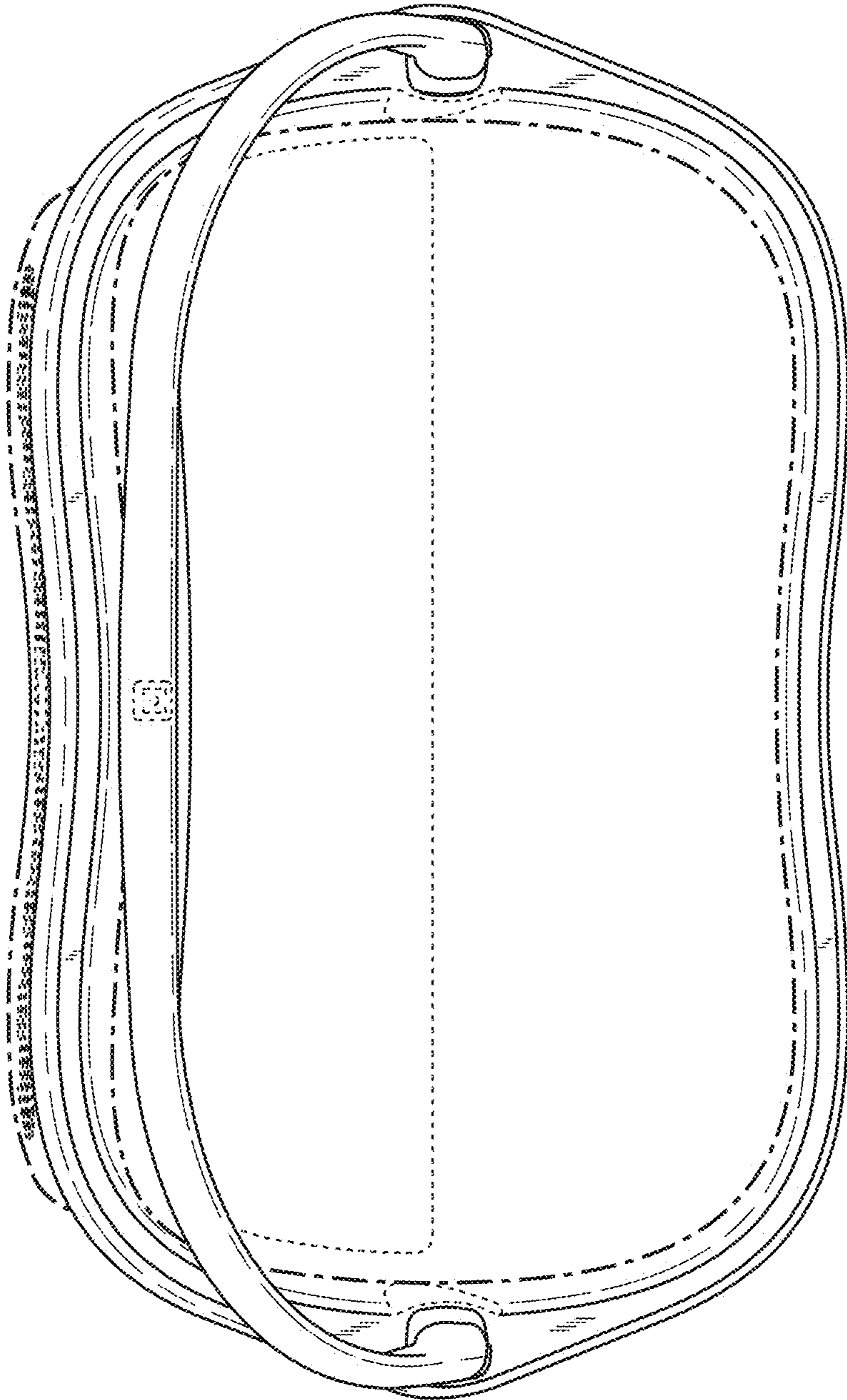


FIG. 13

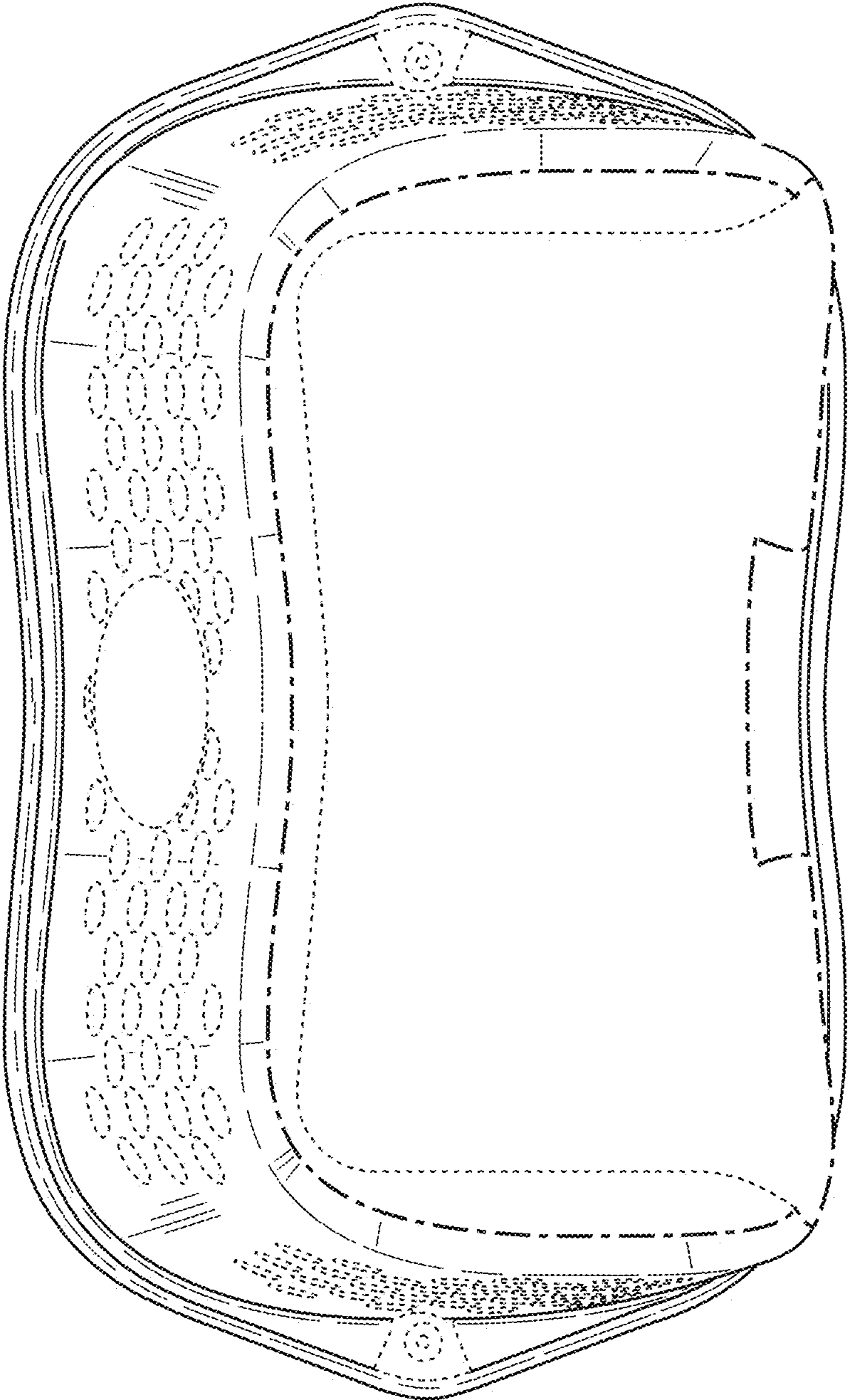


FIG. 14