

US00D964785S

(12) **United States Design Patent**
Sun

(10) **Patent No.:** **US D964,785 S**

(45) **Date of Patent:** **** Sep. 27, 2022**

(54) **CIRCULAR ARCH STAND**

(71) Applicant: **Xueli Sun**, Xuchang (CN)

(72) Inventor: **Xueli Sun**, Xuchang (CN)

(**) Term: **15 Years**

(21) Appl. No.: **29/818,712**

(22) Filed: **Dec. 10, 2021**

(51) **LOC (13) Cl.** **06-04**

(52) **U.S. Cl.**

USPC **D6/672; D6/677.5**

(58) **Field of Classification Search**

USPC D6/315, 317-320, 323, 326, 328, 553,
D6/672, 673, 677, 677.5, 682, 682.1;
D8/367, 372, 373, 380

CPC A47G 25/00; A47G 25/06; A47G 25/10;
A47G 25/28; A47G 25/30; A47G 25/32;
A47G 25/68; A47G 1/00; A47F 7/06;
A47F 5/02; A47F 7/0057; A47F 7/0078

See application file for complete search history.

(56) **References Cited**

U.S. PATENT DOCUMENTS

1,664,019	A *	3/1928	Blackman	A01G 9/12
					D25/100
D94,537	S *	2/1935	Canaday	D6/672
D177,234	S *	3/1956	Hudson et al.	D23/410
D194,702	S *	2/1963	Planeta	248/153
D338,357	S *	8/1993	Dworkin	D6/678.4
D353,400	S *	12/1994	Goodman	D6/407
D419,337	S *	1/2000	Ng	D6/682.2
D426,878	S *	6/2000	Denney	D23/410

7,766,284 B2 * 8/2010 Boschetto A01G 5/04
D26/9

9,957,707 B1 5/2018 Cooper, Jr.
D953,077 S * 5/2022 Zhuang D6/677.5

OTHER PUBLICATIONS

Triple Halo Gloss Gold Hoop, available in eleganttime.com, site visited Aug. 1, 2022, URL:https://elegantteatime.com.au/product/triple-halo-gloss-gold-hoop/ (Year: 2022).*

* cited by examiner

Primary Examiner — Mary Ann Calabrese

Assistant Examiner — Mark David Wolfley

(57) **CLAIM**

The ornamental design for a circular arch stand, as shown and described.

DESCRIPTION

FIG. 1 is a top perspective view of a circular arch stand showing my new design;

FIG. 2 is a bottom perspective view thereof;

FIG. 3 is a front elevational view thereof;

FIG. 4 is a rear elevational view thereof;

FIG. 5 is a left side elevational view thereof;

FIG. 6 is a right side elevational view thereof;

FIG. 7 is a top plan view thereof;

FIG. 8 is a bottom plan view thereof;

FIG. 9 is a perspective view of the circular arch stand where the circular arch stand is in a configuration of use;

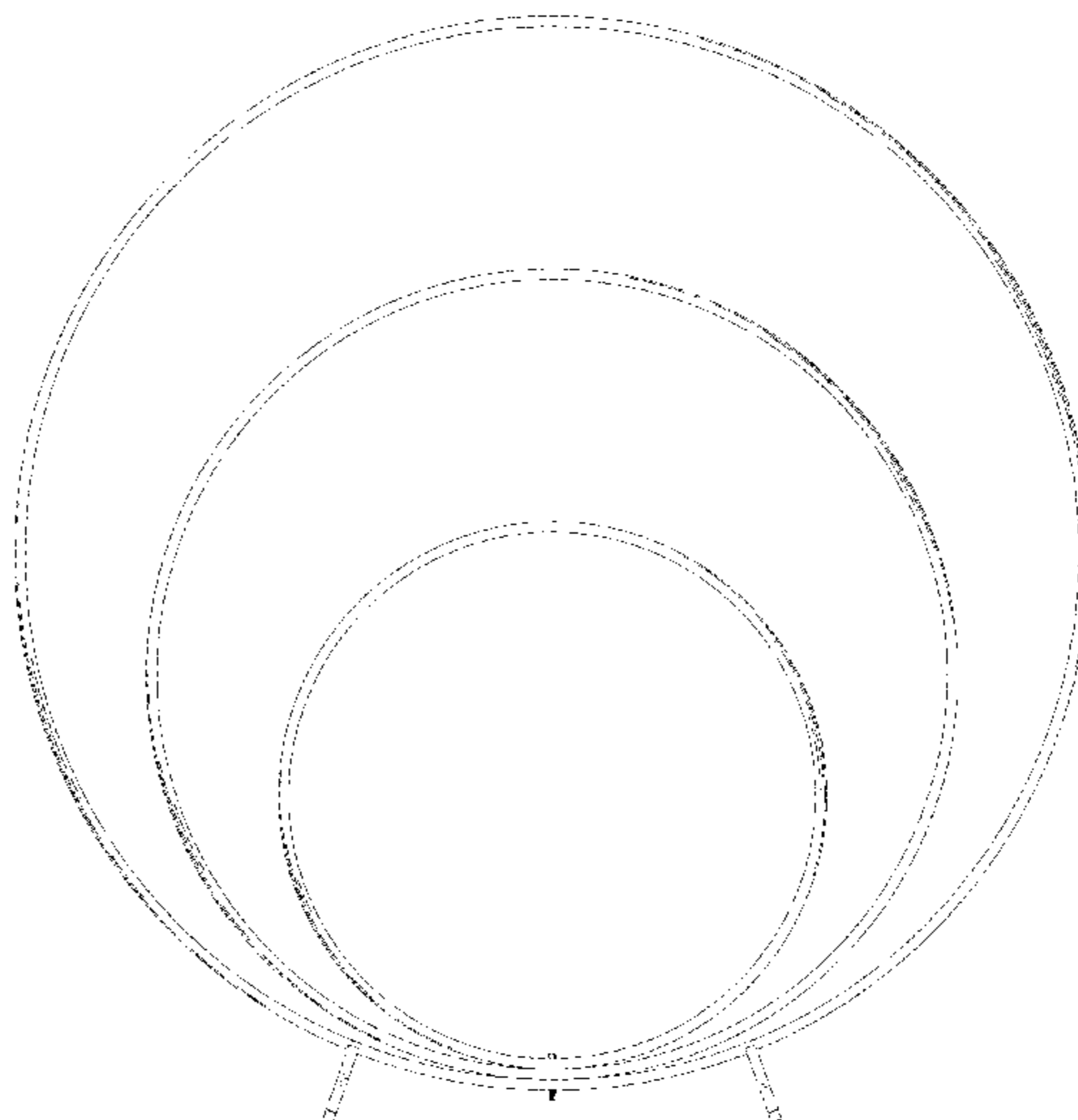
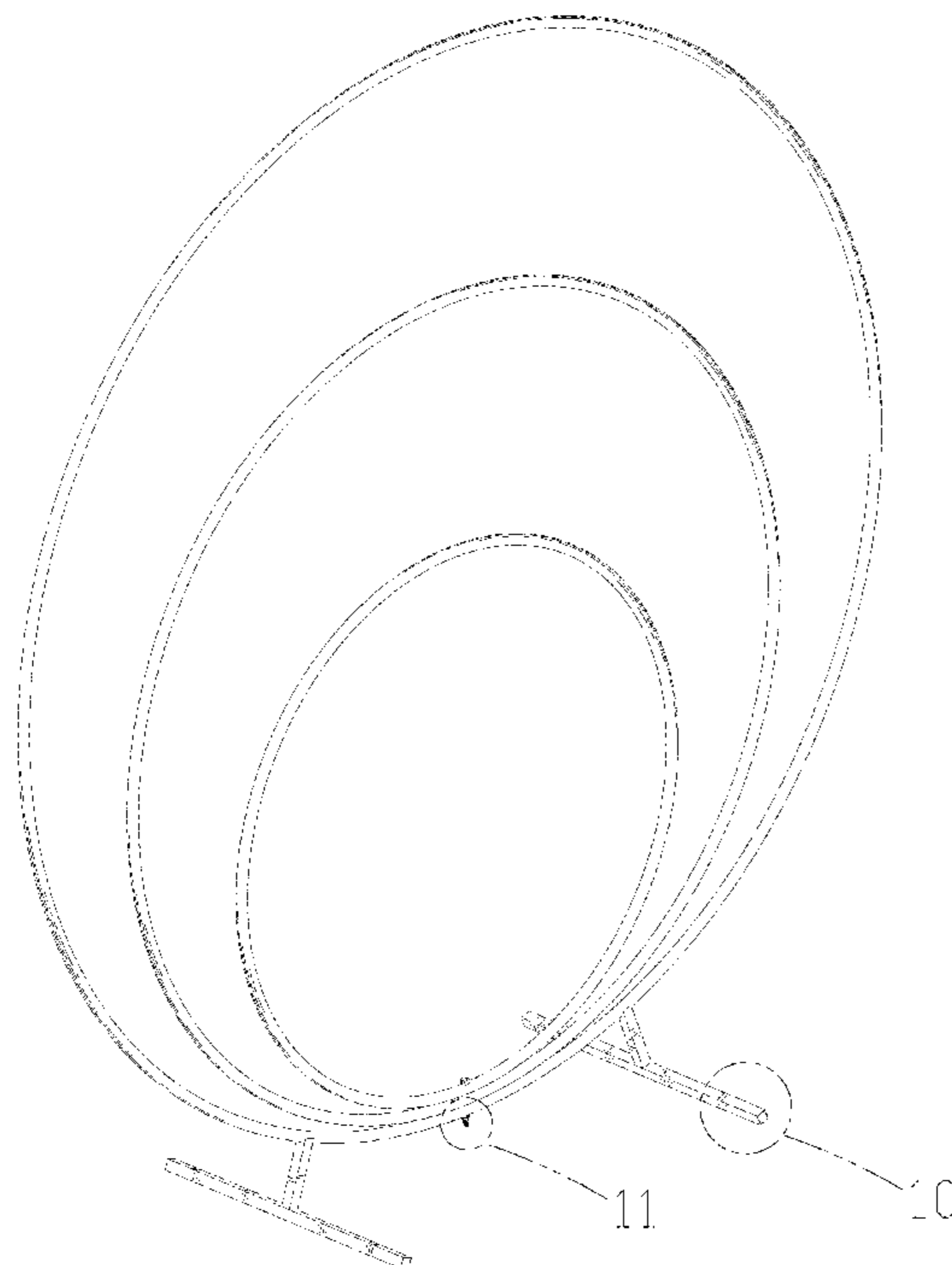
FIG. 10 is an enlarged view of portion 10 shown in FIG. 1;

and,

FIG. 11 is an enlarged view of portion 11 shown in FIG. 1.

The dash-dash broken lines in the drawings depict portions of the circular arch stand that form no part of the claimed design. The dot-dash broken lines represent boundaries of the enlarged portions and form no part of the claimed design.

1 Claim, 11 Drawing Sheets



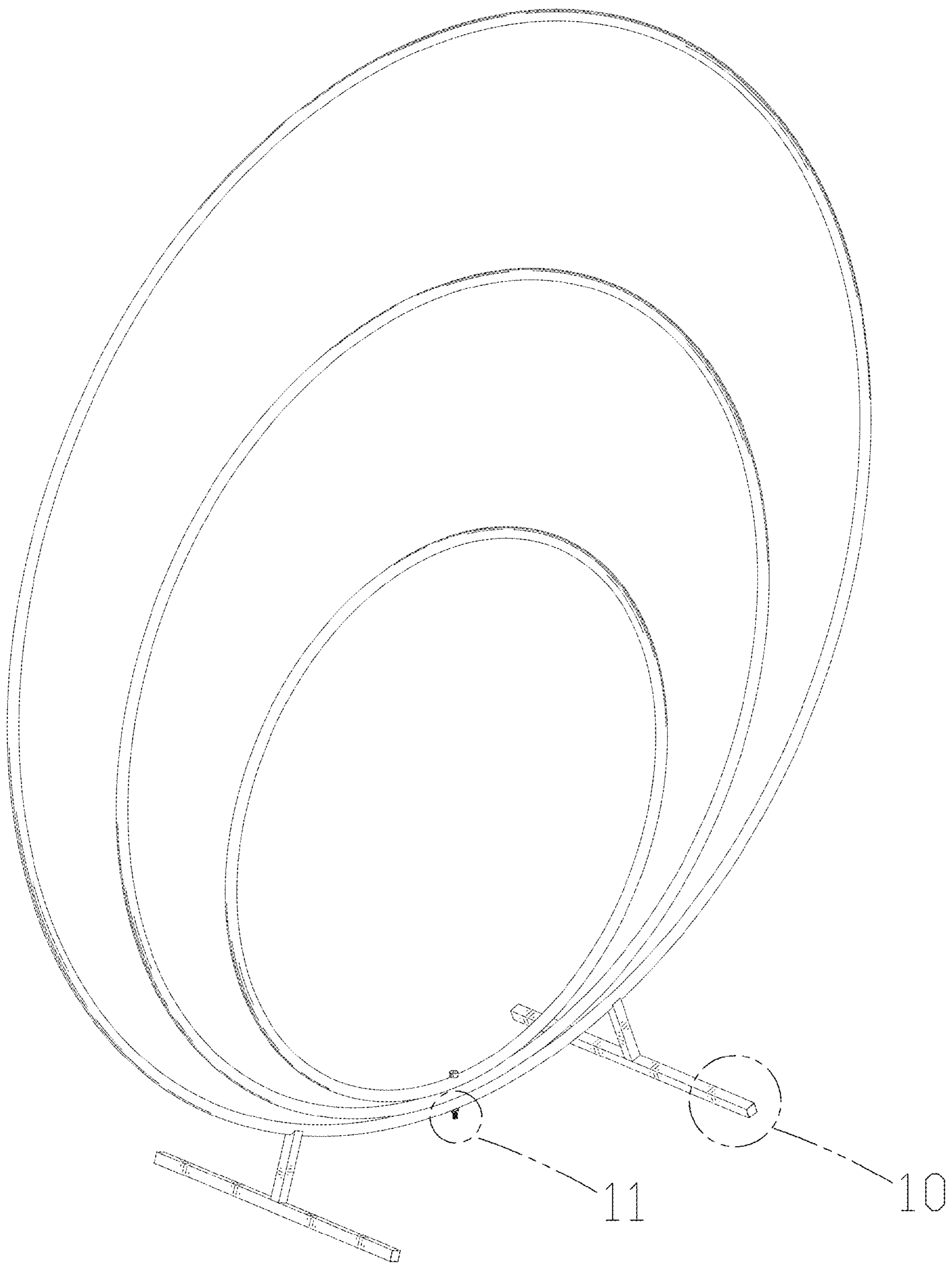


FIG. 1

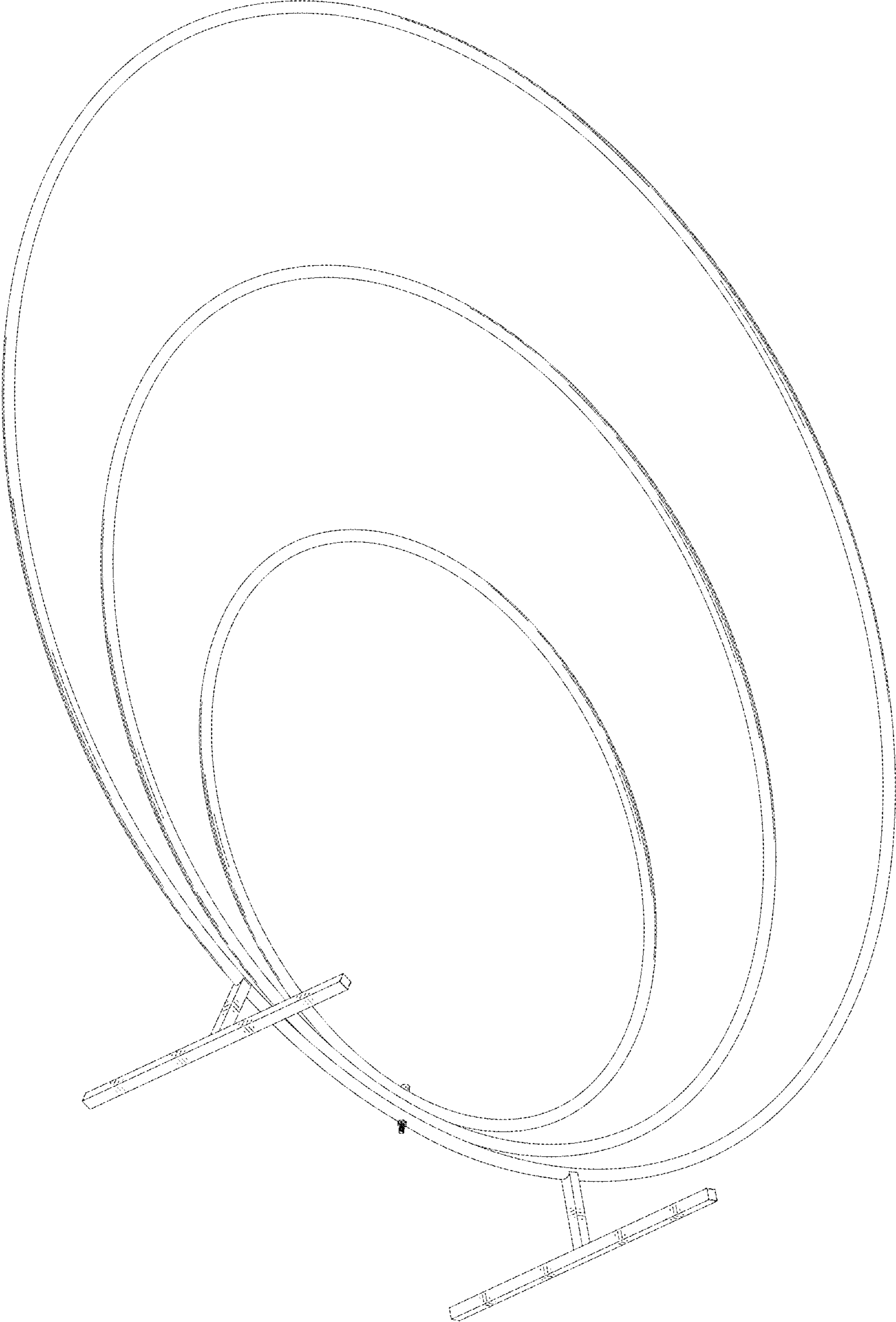


FIG. 2

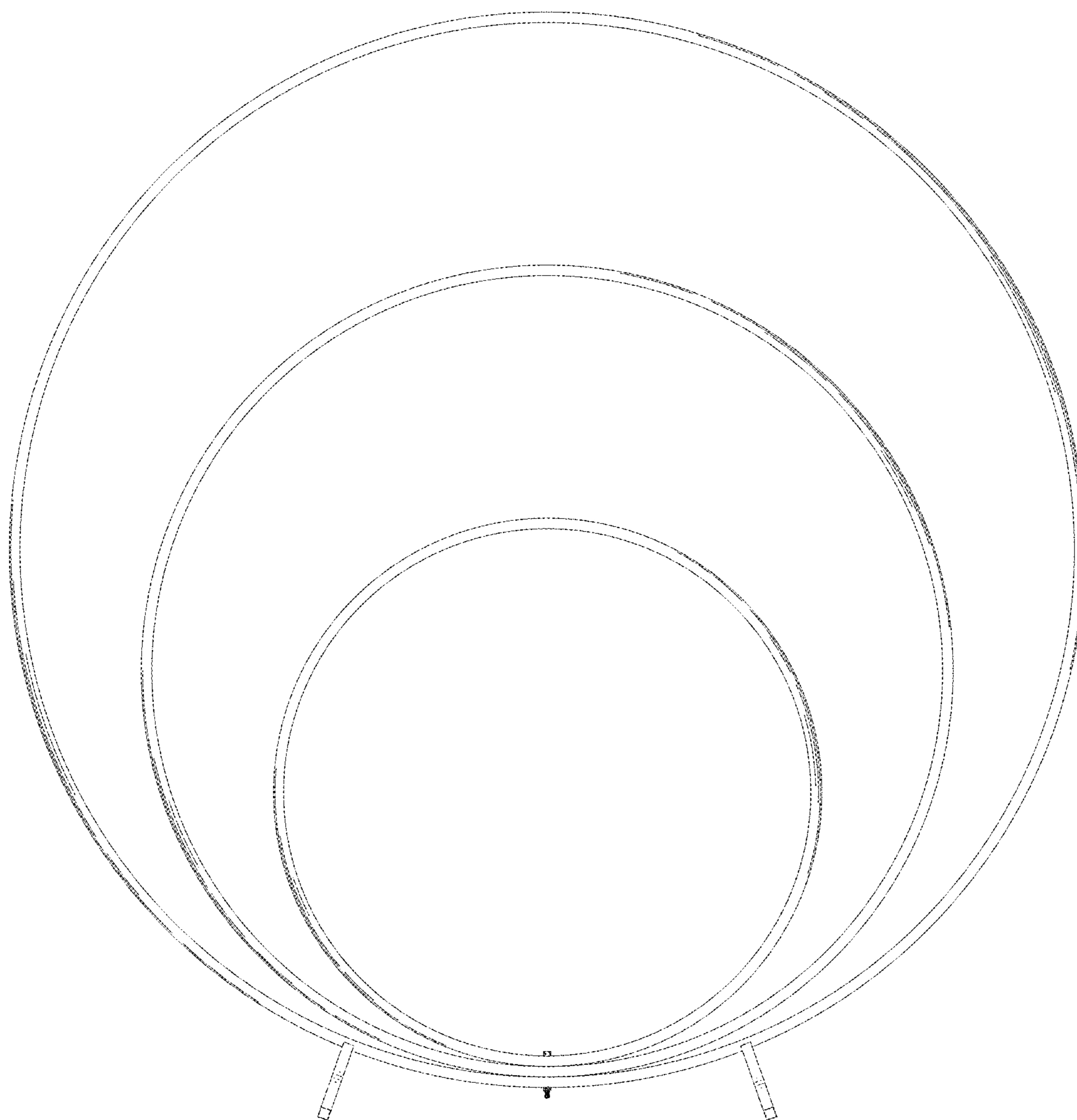


FIG. 3

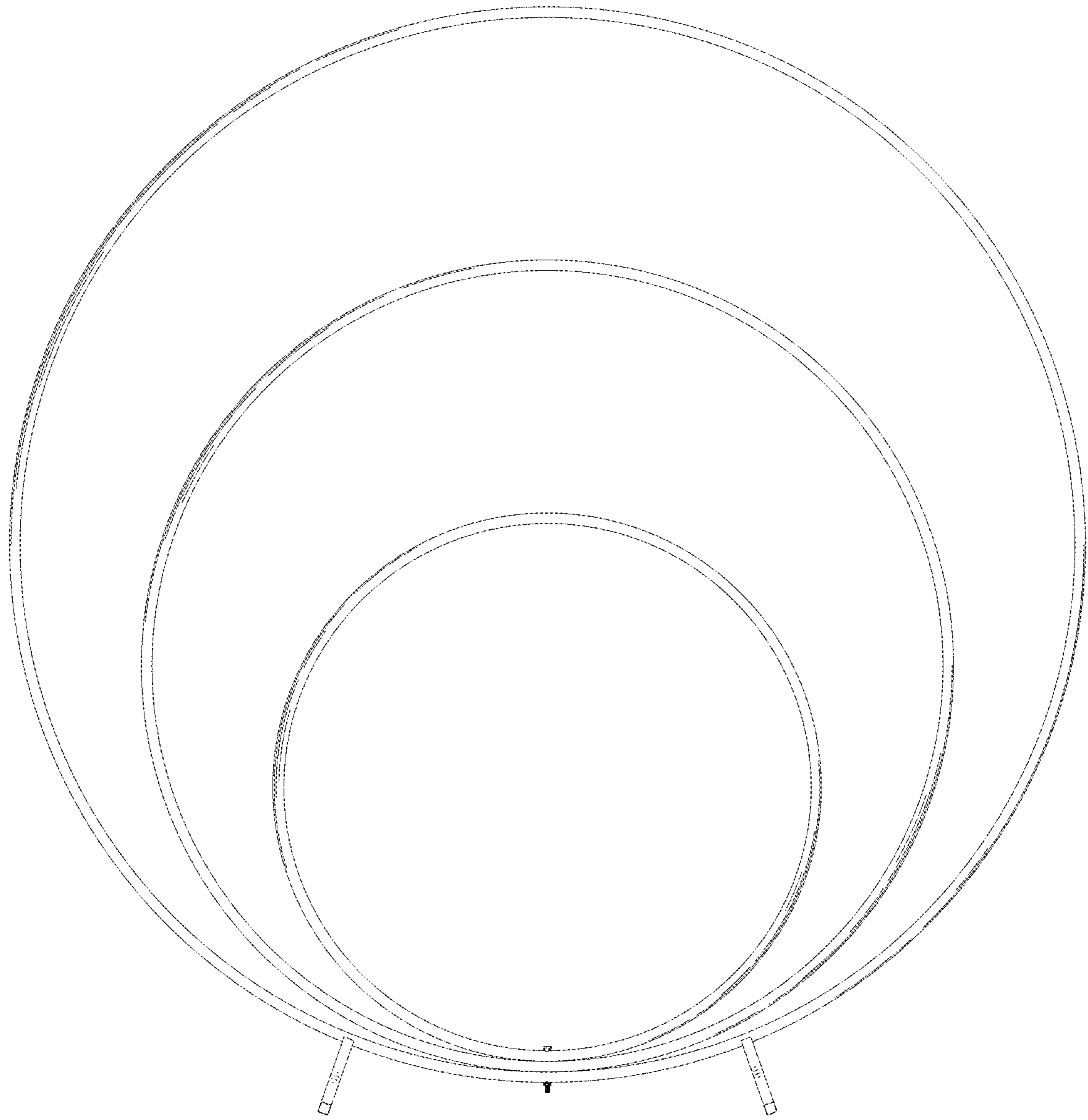


FIG. 4

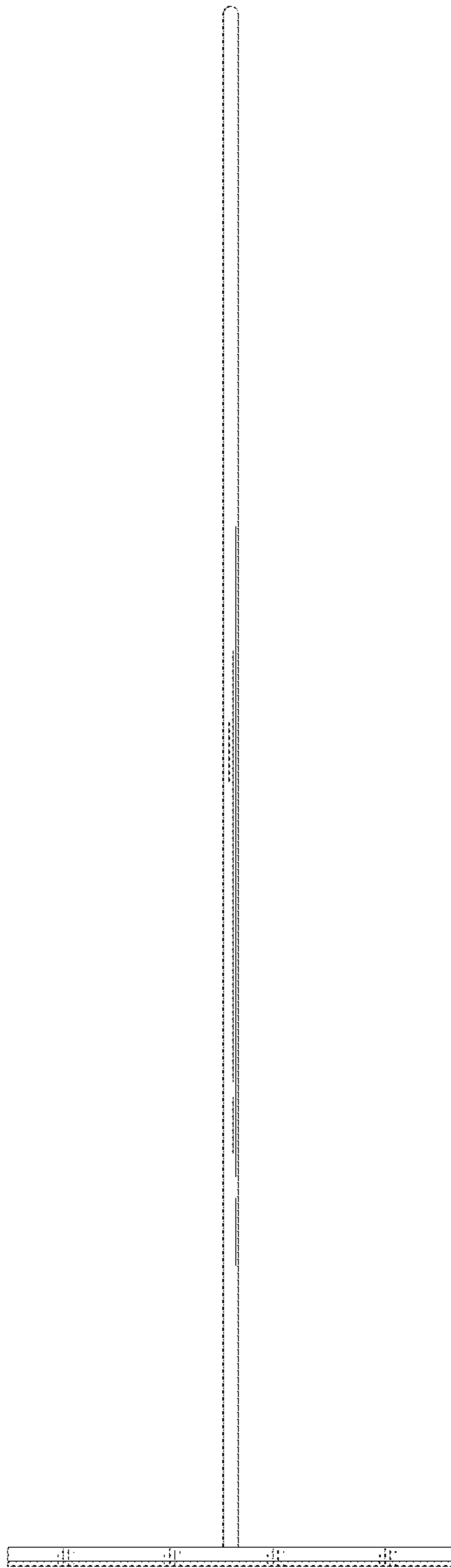


FIG. 5

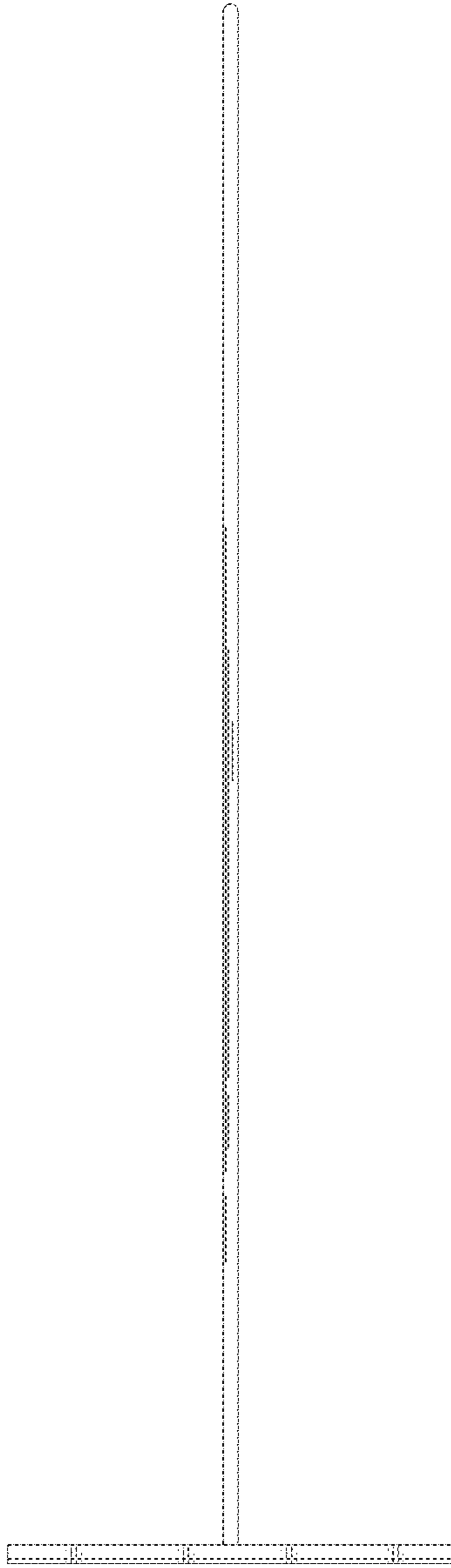


FIG. 6

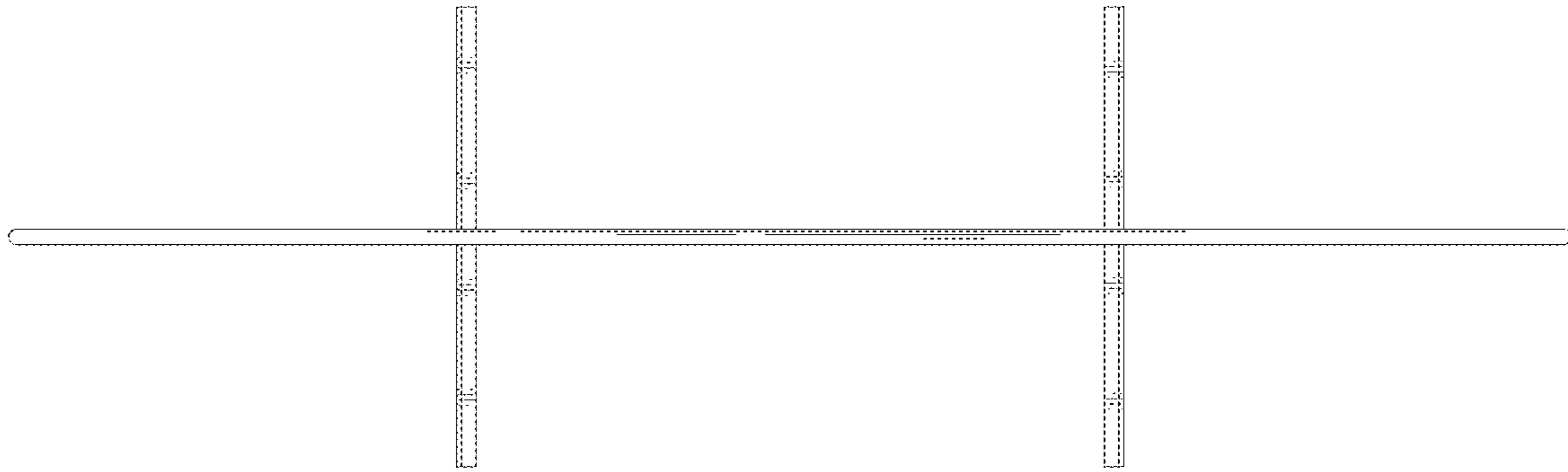


FIG. 7

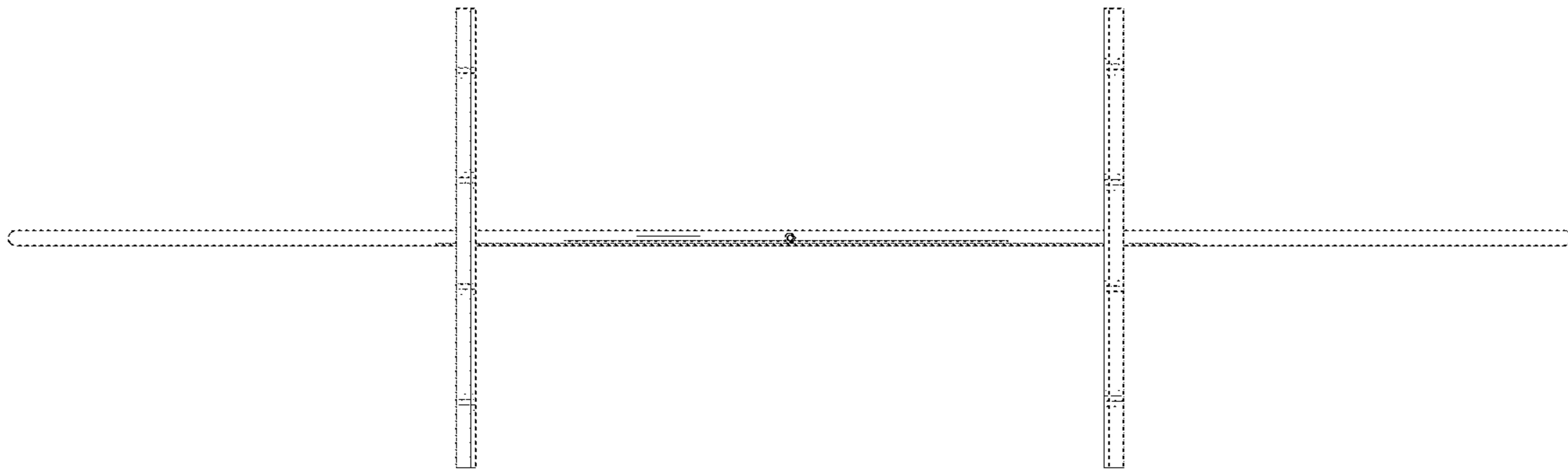


FIG. 8

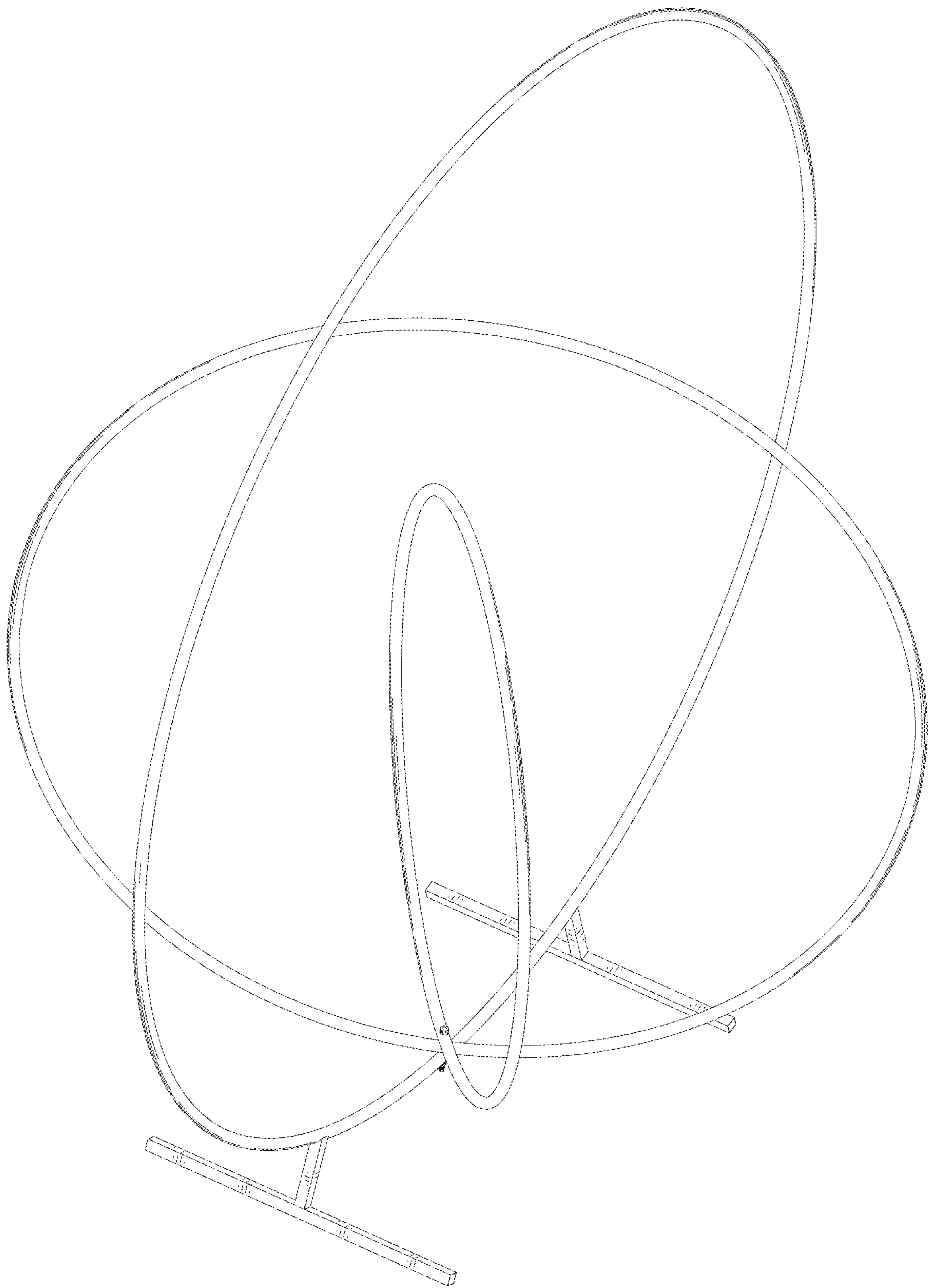


FIG. 9

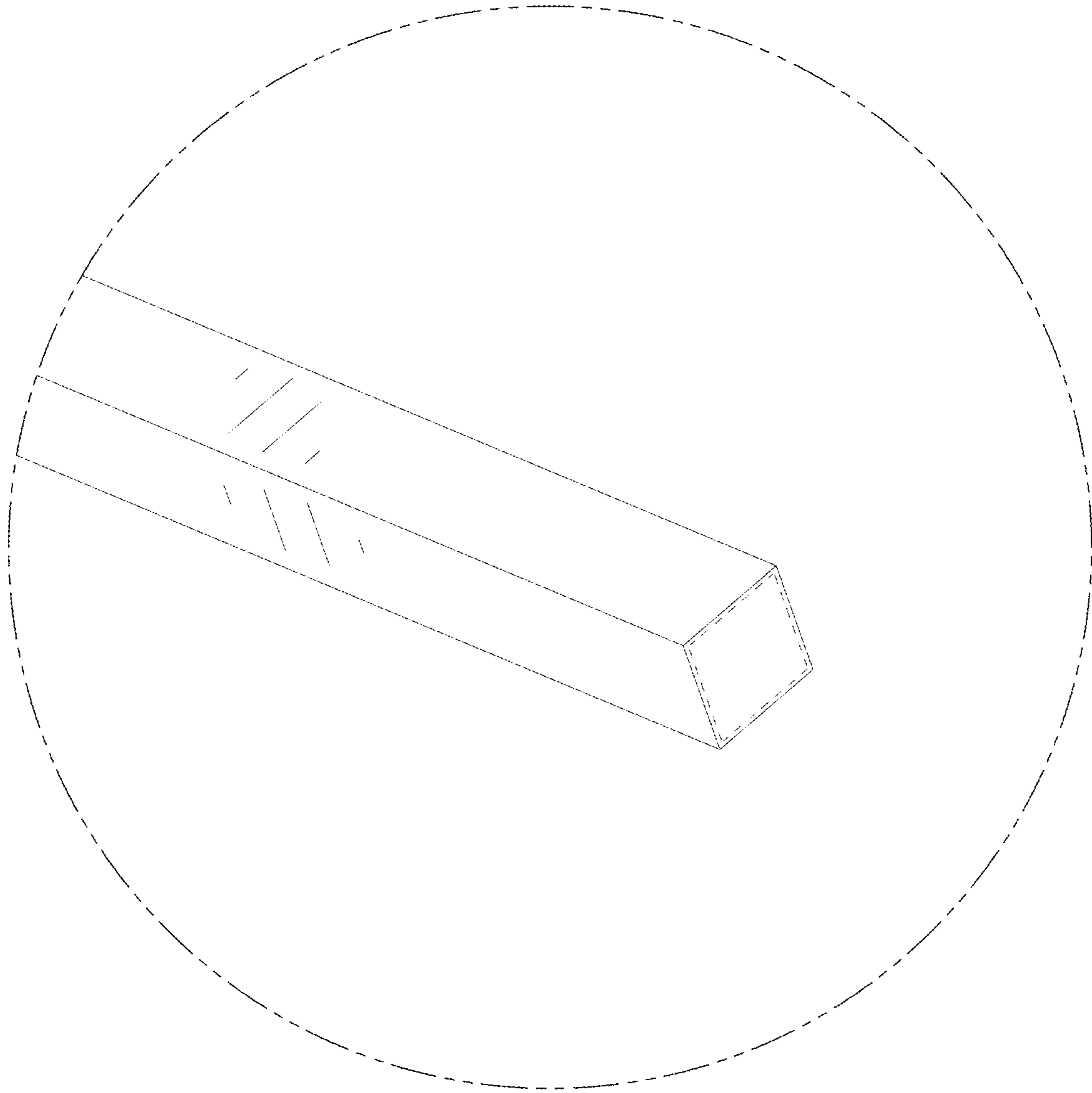


FIG. 10

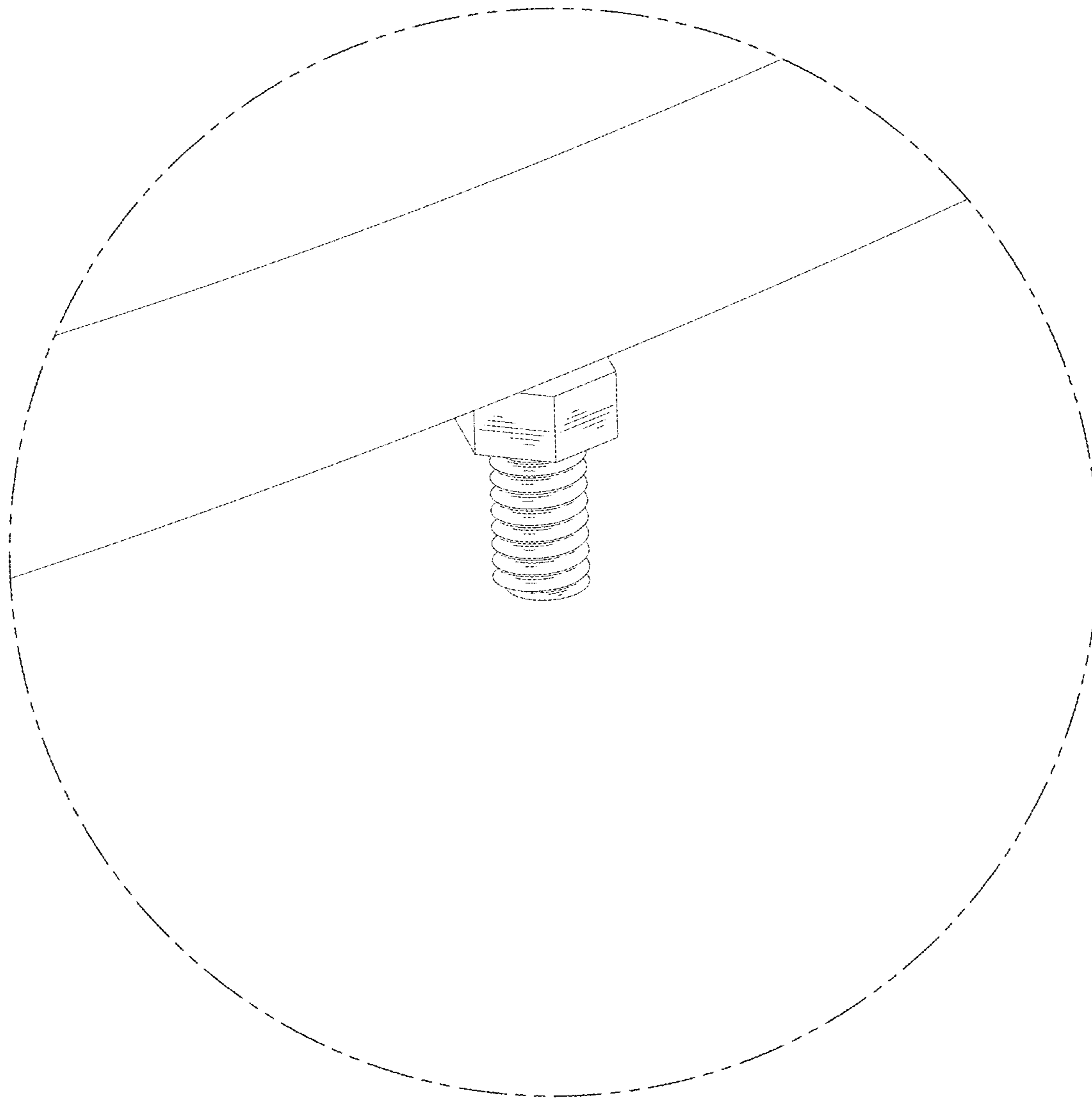


FIG. 11