

US00D964784S

(12) **United States Design Patent** (10) **Patent No.:** **US D964,784 S**
Anderson et al. (45) **Date of Patent:** **** Sep. 27, 2022**

(54) **DECK BOX**

- (71) Applicant: **SUNCAST TECHNOLOGIES, LLC**,
Palm Beach Gardens, FL (US)
- (72) Inventors: **Torrence Anderson**, Overland Park, KS
(US); **Stephen Whitehead**, Elgin, IL
(US); **Kent Martin**, Geneva, IL (US)
- (73) Assignee: **Suntrust Technologies, LLC**, Palm
Beach Gardens, FL (US)
- (**) Term: **15 Years**
- (21) Appl. No.: **29/726,882**
- (22) Filed: **Mar. 6, 2020**
- (51) **LOC (13) Cl.** **06-04**
- (52) **U.S. Cl.**
USPC **D6/667; D3/273**
- (58) **Field of Classification Search**
USPC D3/272, 273, 274, 275, 276, 277, 278,
D3/279, 280, 281, 282, 283, 284, 285;
D6/336, 440, 663, 667
CPC A47C 1/146; B65D 51/04
See application file for complete search history.

(56) **References Cited**

U.S. PATENT DOCUMENTS

D390,265 S *	2/1998	Cheris	D19/75
D510,802 S *	10/2005	Sagol	D3/273
D593,773 S *	6/2009	Richardson	D6/667
D658,374 S *	5/2012	Anderson	D3/273
D662,726 S *	7/2012	Kopp	D6/677.3
D937,016 S *	11/2021	Simonetti	D6/667
2012/0199600 A1 *	8/2012	Anderson	A47C 1/14 220/810

FOREIGN PATENT DOCUMENTS

CA	176178	*	8/2018
JP	D1534407	*	10/2015

OTHER PUBLICATIONS

Amazon.ca, Site visited Jan. 18, 2022, Suncast 50 gallon resin Deck Box, First available Nov. 1, 2011, <https://www.amazon.ca/Suncast-50Gal-Taupe-Deck-Box/dp/B003G4BBAU> (Year: 2011).*

Amazon.ca, Site Visited Jan. 18, 2022, Starplast Rattan Deck Box, First available Jun. 4, 2017, <https://www.amazon.ca/Starplast-Rattan-Gallon-Mocha-Brown/dp/B06XD6942D> (Year: 2017).*

Amazon.ca, Site visited Jan. 18, 2022, Furinno Tioman Outdoor Hardwood Deck Box, First Available Mar. 9, 2018, <https://www.amazon.ca/Furinno-FG17685-Tioman-Outdoor-Hardwood/dp/B07456BG9P> (Year: 2018).*

Amazon.ca, Site visited Jan. 18, 2022, Love Us Smooth 50-Gallon Deck Box with Seat, First available Oct. 13, 2019, <https://www.amazon.ca/50-Gallon-maintain-Construction-Resistant-Reinforced/dp/B07PMSGHNS> (Year: 2019).*

* cited by examiner

Primary Examiner — Brett Miller

Assistant Examiner — Jessica M Gebhart

(74) *Attorney, Agent, or Firm* — McHale & Slavin, P.A.

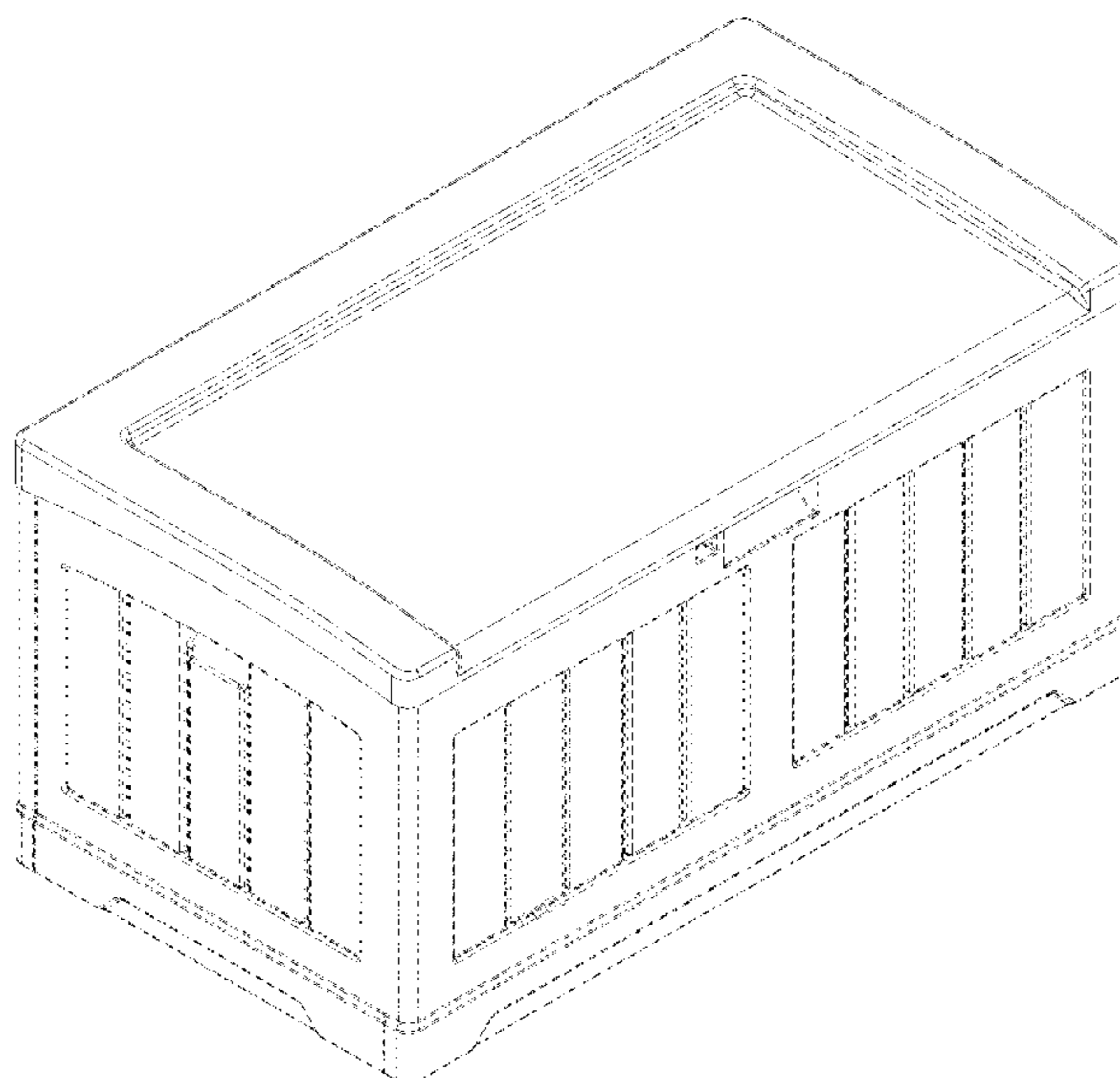
(57) **CLAIM**

The ornamental design for a deck box, as shown and described.

DESCRIPTION

FIG. 1 is a top front left perspective view of the deck box of the present invention;
 FIG. 2 is a top front right perspective view thereof;
 FIG. 3 is a left side view thereof;
 FIG. 4 is a right side view thereof;
 FIG. 5 is a front view thereof;
 FIG. 6 is a rear view thereof; and,
 FIG. 7 is a top view thereof.
 The portions of the deck box illustrated in broken lines are not claimed.

1 Claim, 6 Drawing Sheets



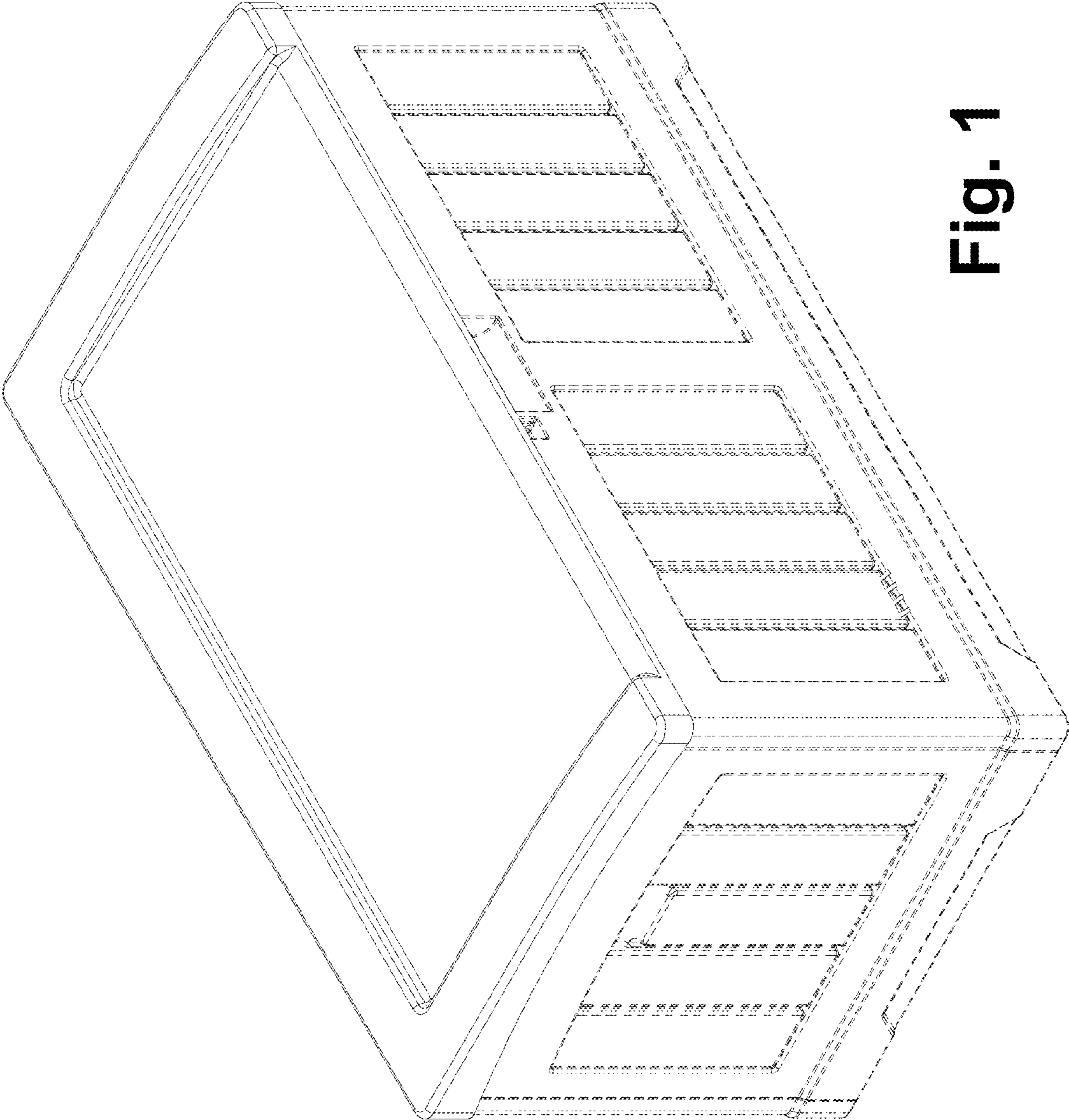


Fig. 1

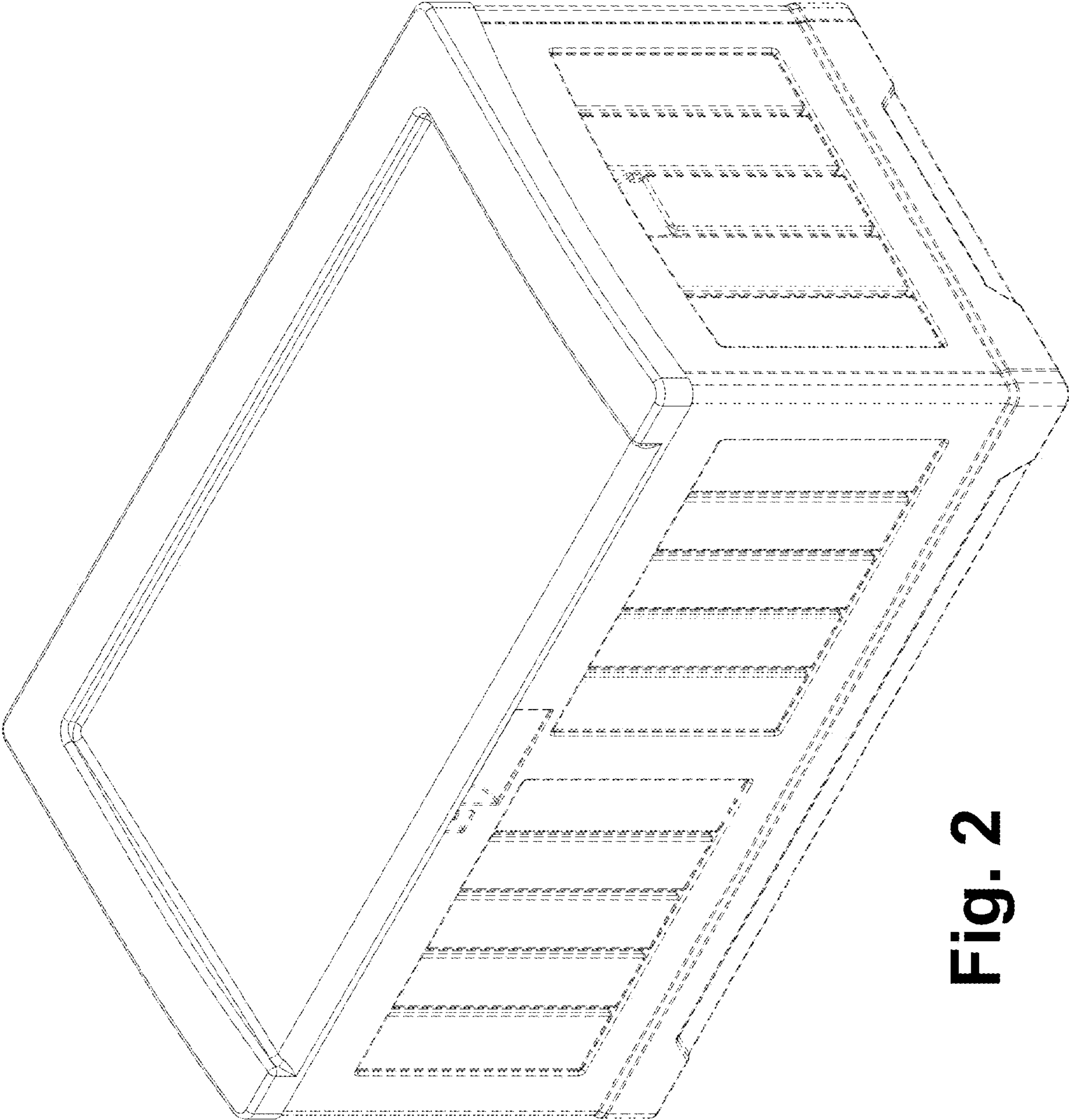


Fig. 2

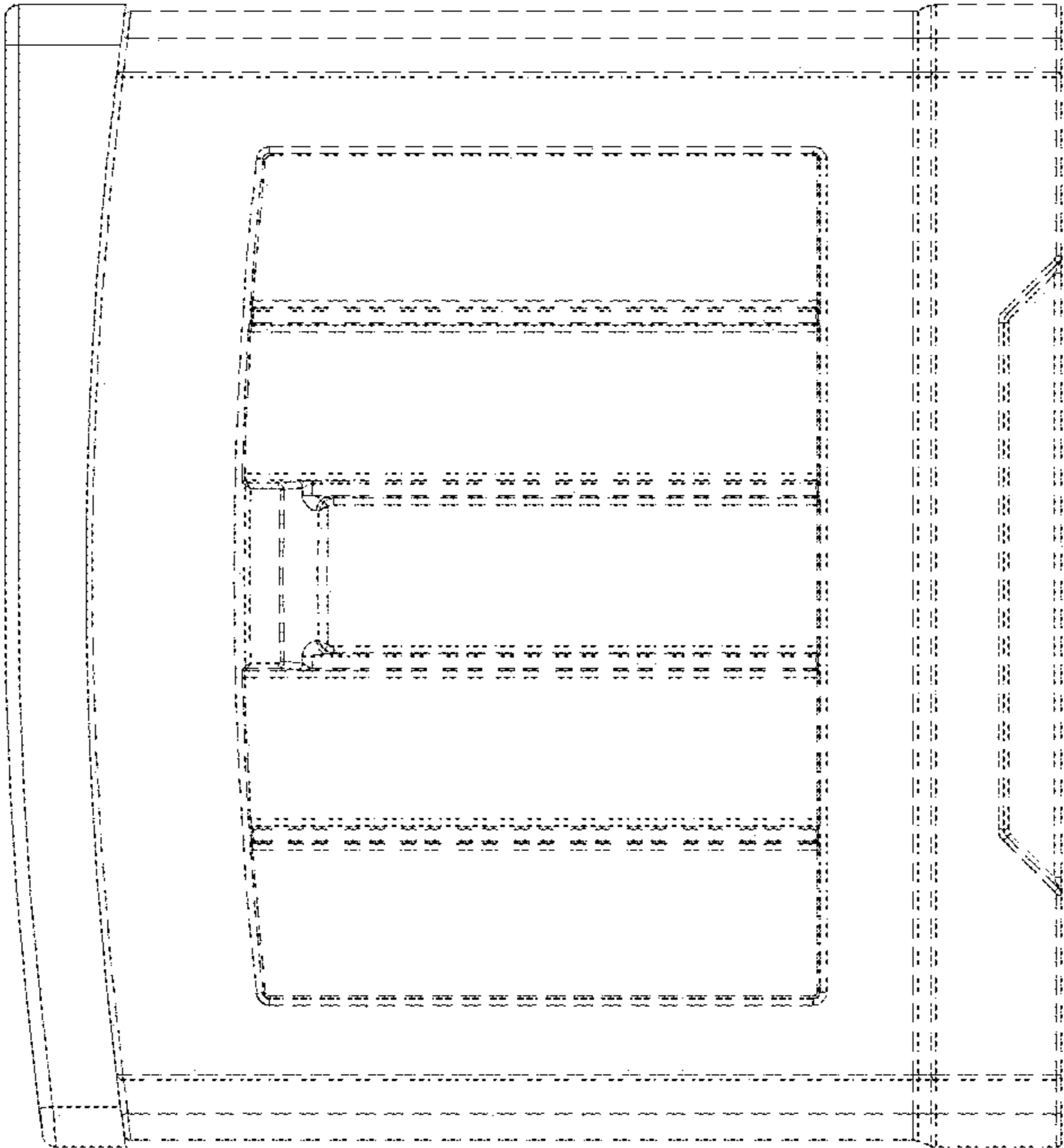


Fig. 4

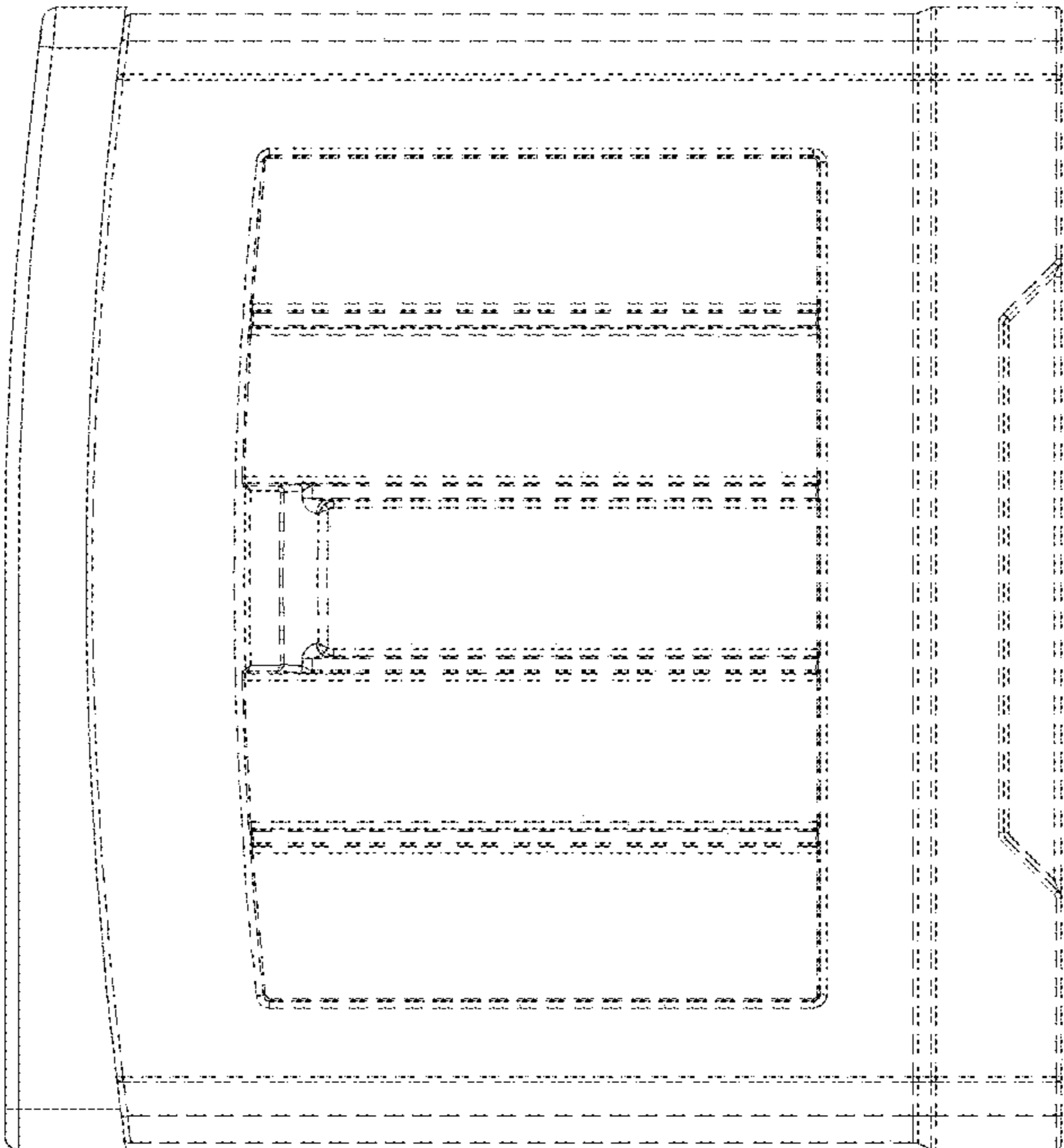


Fig. 3

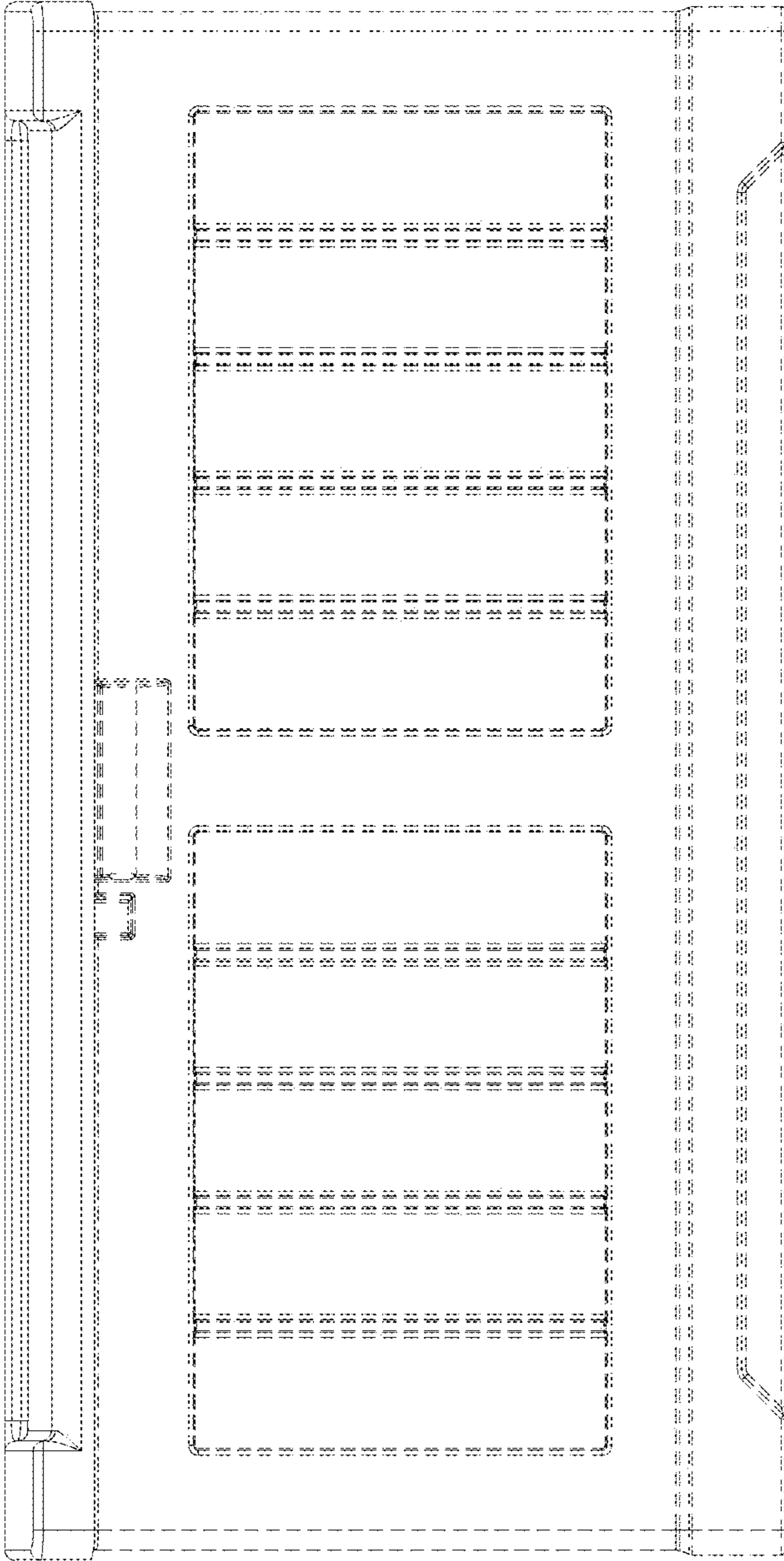


Fig. 5

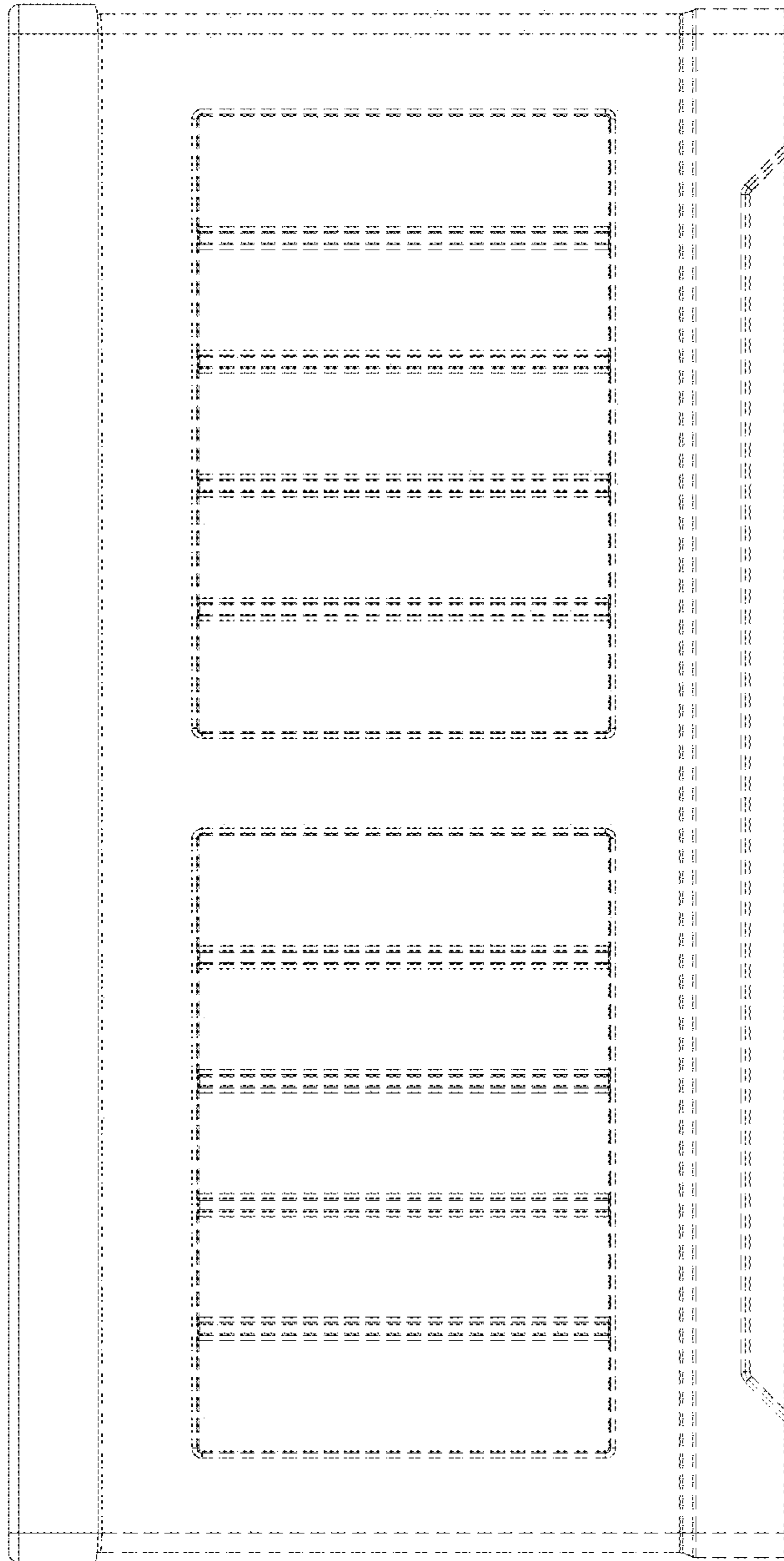


Fig. 6

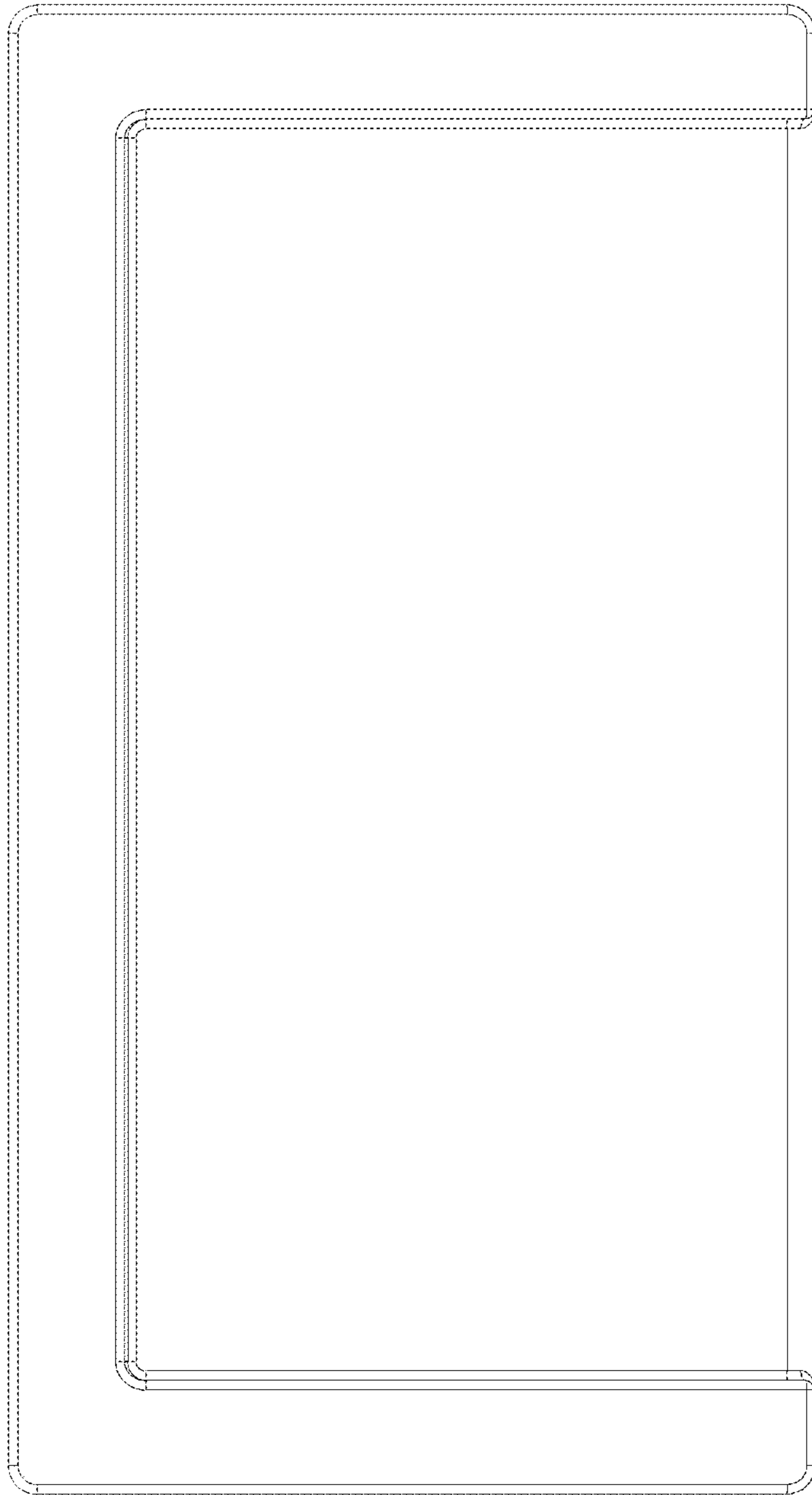


Fig. 7