



US00D964783S

(12) **United States Design Patent**
Robins

(10) **Patent No.:** **US D964,783 S**

(45) **Date of Patent:** **** Sep. 27, 2022**

- (54) **MOVEABLE STORAGE TABLE**
- (71) Applicant: **Bruce Robins**, Philadelphia, PA (US)
- (72) Inventor: **Bruce Robins**, Philadelphia, PA (US)
- (73) Assignee: **HASKELL OFFICE**, Bala Cynwyd, PA (US)
- (**) Term: **15 Years**

- D447,567 S 9/2001 Murphy et al.
- D450,903 S 11/2001 Wacker et al.
- D467,754 S 12/2002 Chen
- D500,575 S 1/2005 Lucas
- D501,285 S 1/2005 Long, Jr.
- D523,607 S 6/2006 Huguet
- D538,061 S 3/2007 Daniel
- D546,017 S 7/2007 Wise
- D551,465 S 9/2007 Daniel
- D557,870 S 12/2007 MacMillan
- D585,621 S 1/2009 Taillon

(Continued)

(21) Appl. No.: **29/730,013**

(22) Filed: **Mar. 31, 2020**

(51) **LOC (13) Cl.** **06-03**

(52) **U.S. Cl.**
USPC **D6/642**; D6/675.1; D34/21

(58) **Field of Classification Search**
USPC D6/641, 642, 657, 662, 662.1, 672, 675,
D6/675.1, 684–686, 691, 698; D34/12,
D34/14, 17, 19, 21
CPC .. A47B 3/00; A47B 7/00; A47B 13/00; A47B
21/00; A47B 31/00; A47B 31/001; A47B
2031/003; A47B 37/00; A47B 43/00;
A47B 65/00; A47B 81/00; B25H 1/00;
B25H 1/12; B25H 1/14; B25H 3/00;
B25H 3/02; B25H 3/021; B25H 3/023;
B25H 3/027; B25H 3/028; B25H 3/04;
B25H 3/06

See application file for complete search history.

(56) **References Cited**

U.S. PATENT DOCUMENTS

- 3,063,252 A * 11/1962 Lamb A47F 3/0447
62/234
- 3,394,666 A 7/1968 Pearlman
- D276,565 S * 11/1984 Cortina D34/21
- D366,744 S 1/1996 Bailey
- D373,688 S * 9/1996 Tulli D6/686
- D390,381 S 2/1998 Dormon et al.
- D398,788 S * 9/1998 Schubert D34/20
- D423,254 S 4/2000 Alcalá et al.

OTHER PUBLICATIONS

Explorer Partitioned Storage Maker Tables by Haskell—Worthing Direct <https://www.worthingtondirect.com/chairs/explorer-partitioned-storage-maker-tables-by-haskell.htm> retrieved from the internet on Dec. 9, 2021.*

(Continued)

Primary Examiner — Mary Ann Calabrese
(74) *Attorney, Agent, or Firm* — Robert F. Zielinski

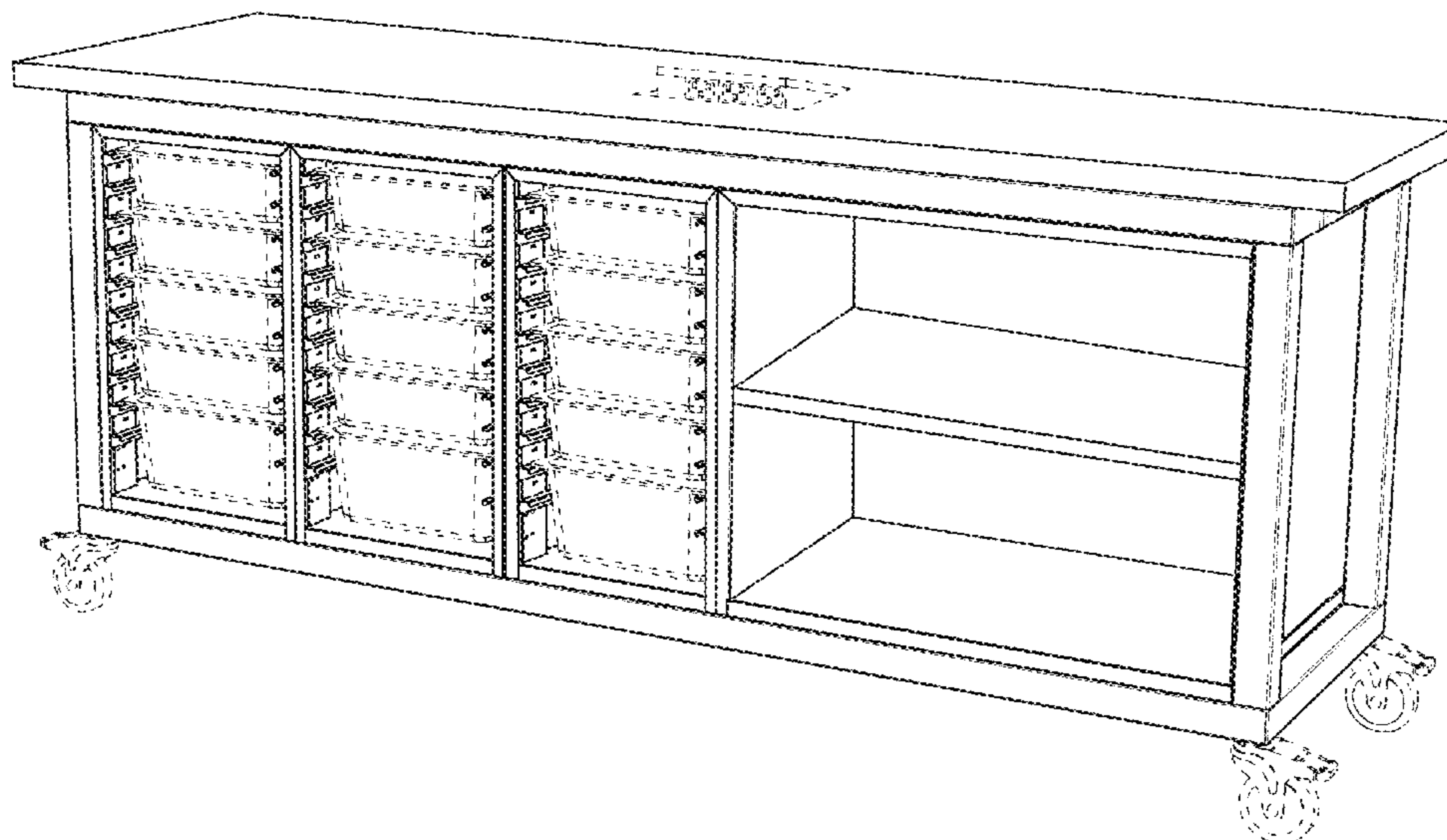
(57) **CLAIM**

I claim the ornamental design for a moveable storage table, as shown and described.

DESCRIPTION

FIG. 1 is a front perspective view of a moveable storage table showing my new design.
FIG. 2 is a front elevational view thereof.
FIG. 3 is a rear elevational view thereof.
FIG. 4 is a right-side elevational view thereof.
FIG. 5 is a left-side elevational view thereof.
FIG. 6 is a top plan view thereof; and,
FIG. 7 is a bottom plan view thereof.
In the drawings, the broken lines show portions of the moveable storage table that form no part of the claimed design.

1 Claim, 7 Drawing Sheets



(56)

References Cited

U.S. PATENT DOCUMENTS

D588,322 S 3/2009 Tilk et al.
D593,341 S 6/2009 Sackman
D618,418 S 6/2010 Catron et al.
D618,419 S 6/2010 Catron et al.
D636,962 S 4/2011 Freimuth
D665,597 S 8/2012 Dufoure et al.
D690,142 S * 9/2013 Arko D6/681
D710,064 S 7/2014 Schumaker et al.
D732,318 S 6/2015 Engebretson
D783,921 S 4/2017 Malengo
D801,735 S 11/2017 Ursell et al.
D817,584 S 5/2018 Phillips et al.
D935,244 S * 11/2021 Packer D6/675.1
2007/0236113 A1 * 10/2007 McCambridge E06B 3/367
312/204
2014/0217690 A1 * 8/2014 Schumaker A47B 31/00
280/47.35
2019/0045919 A1 * 2/2019 Boyer A47B 3/002

OTHER PUBLICATIONS

Haskell Maker Table—Kurtz Bros. https://www.kurtzbros.com/products/Haskell_Maker_Table retrieved from the internet on Dec. 6, 2021.*

* cited by examiner

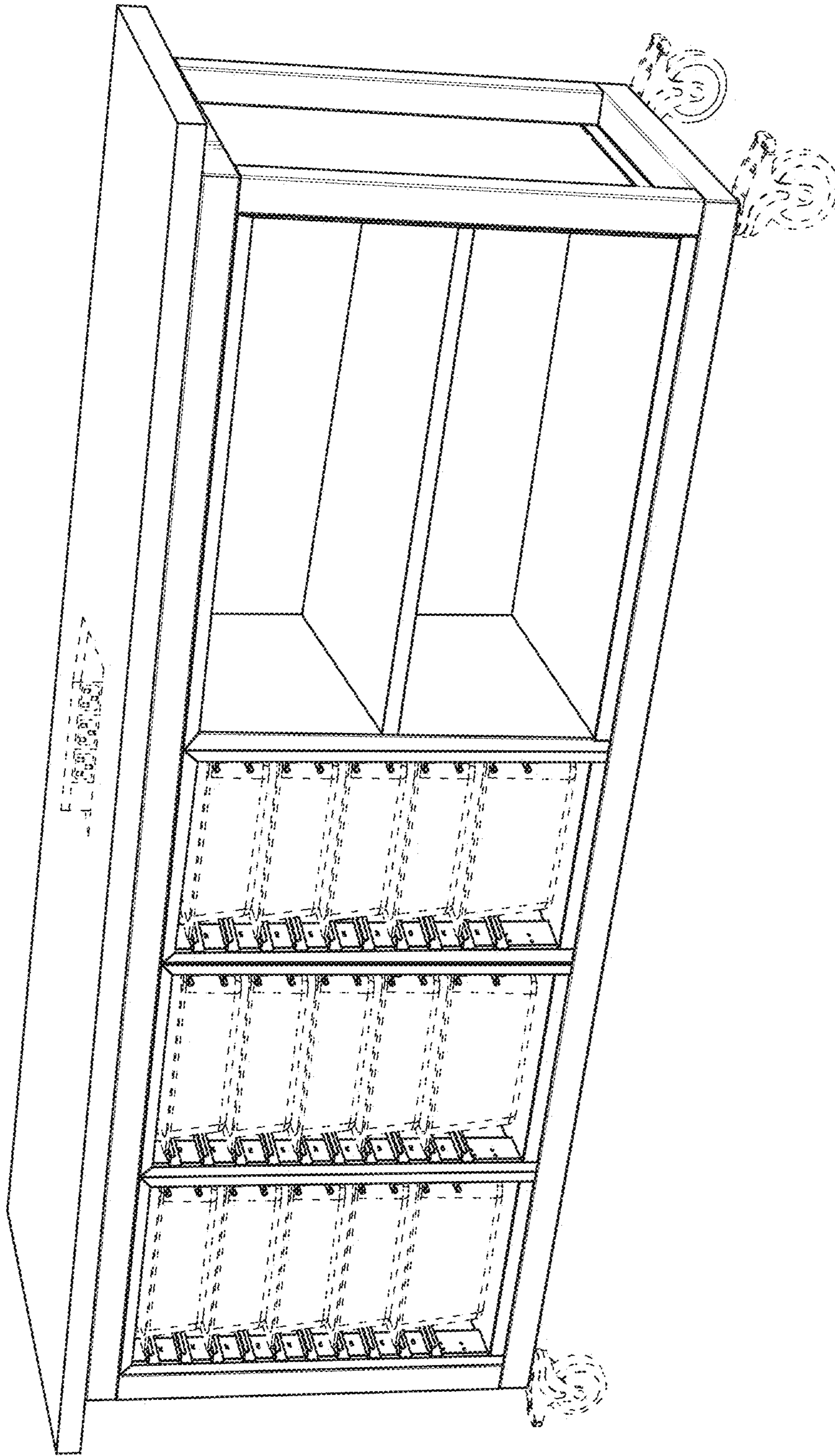


FIG. 1

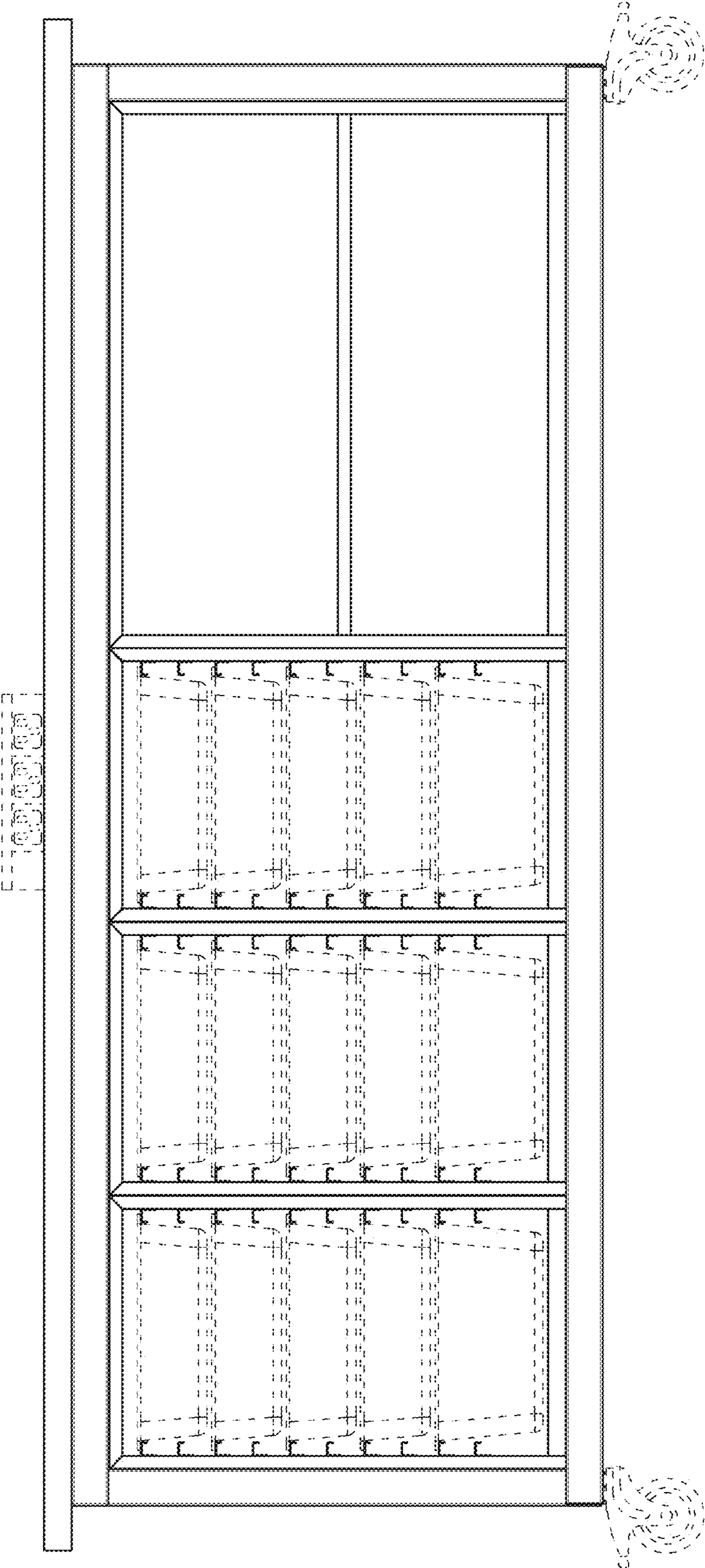


FIG. 2

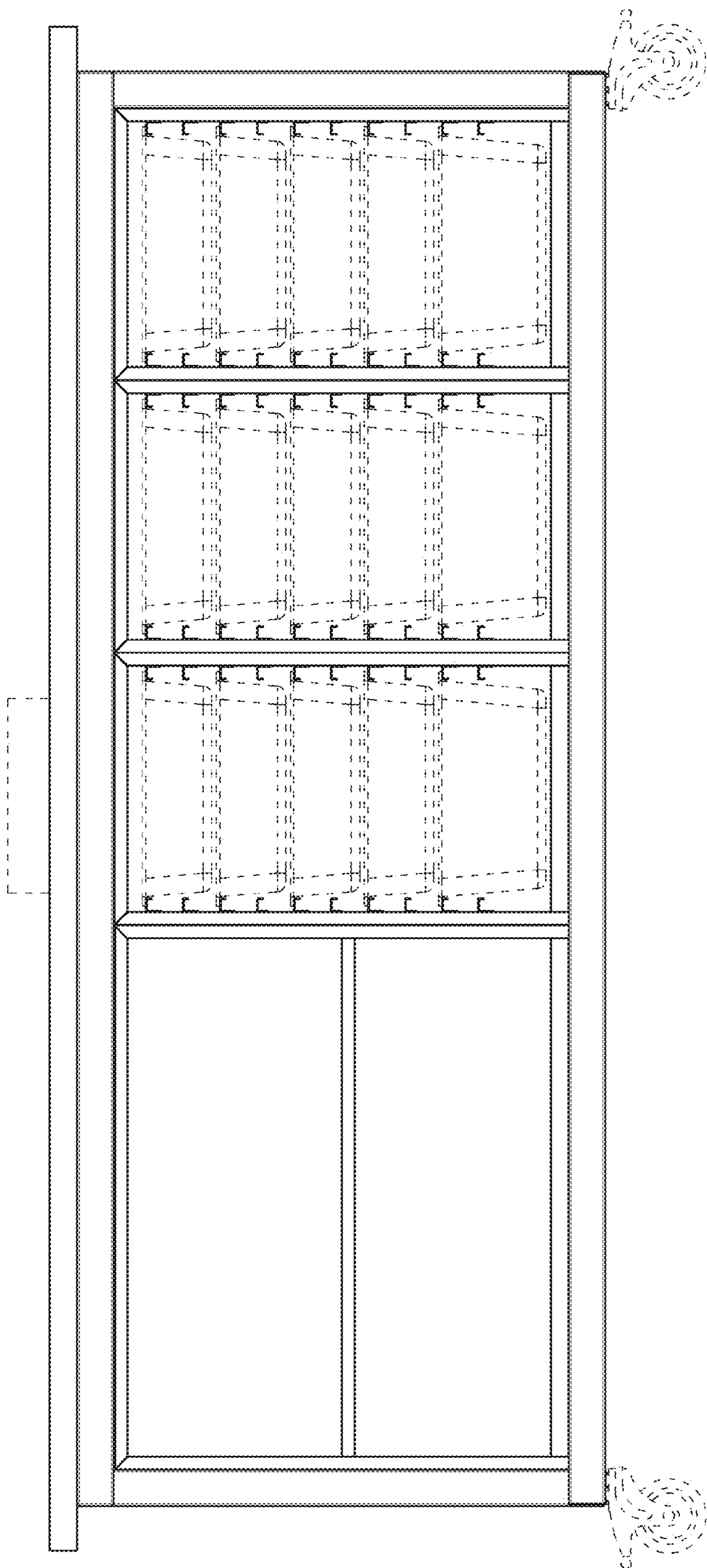


FIG. 3

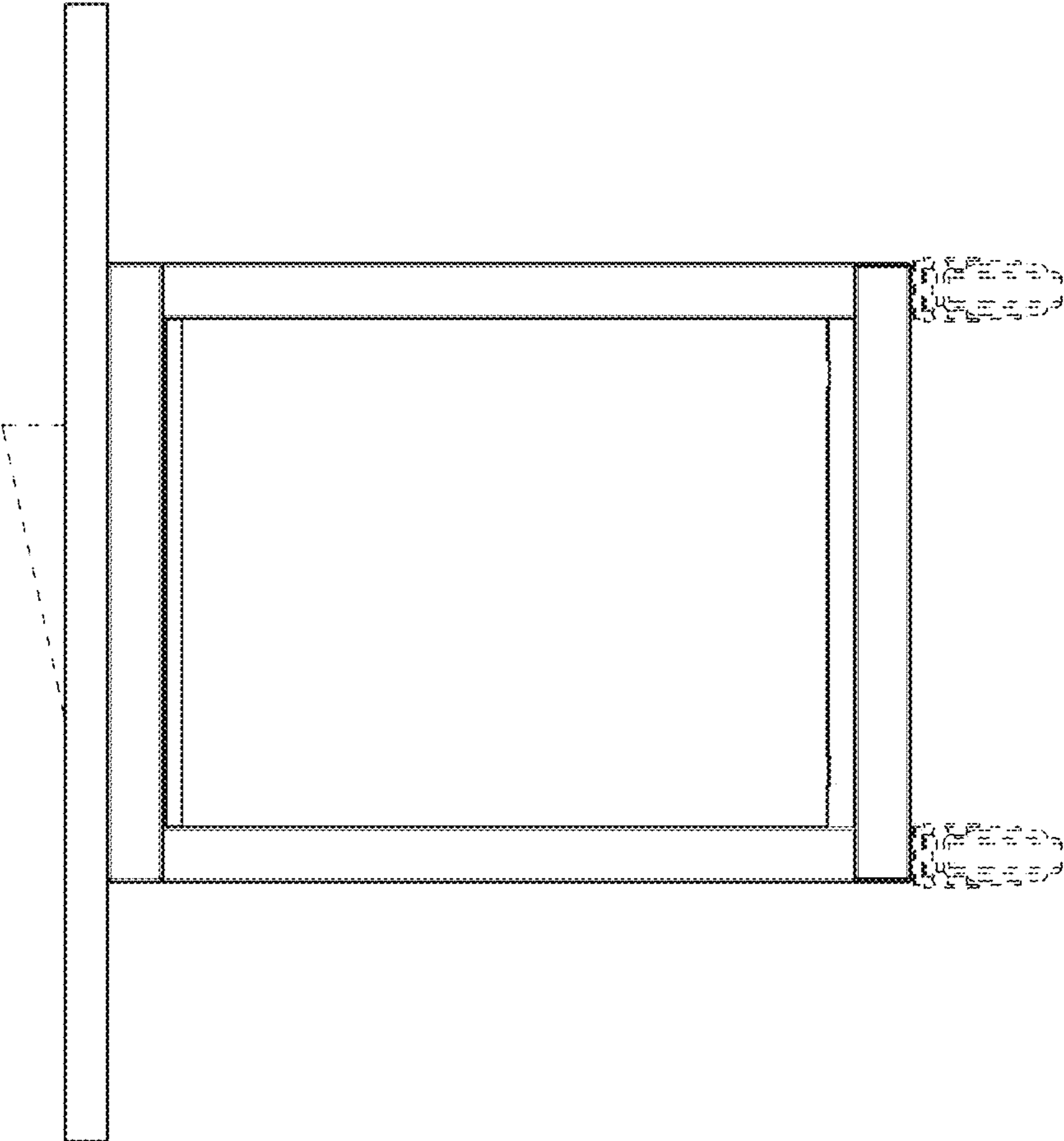


FIG. 4

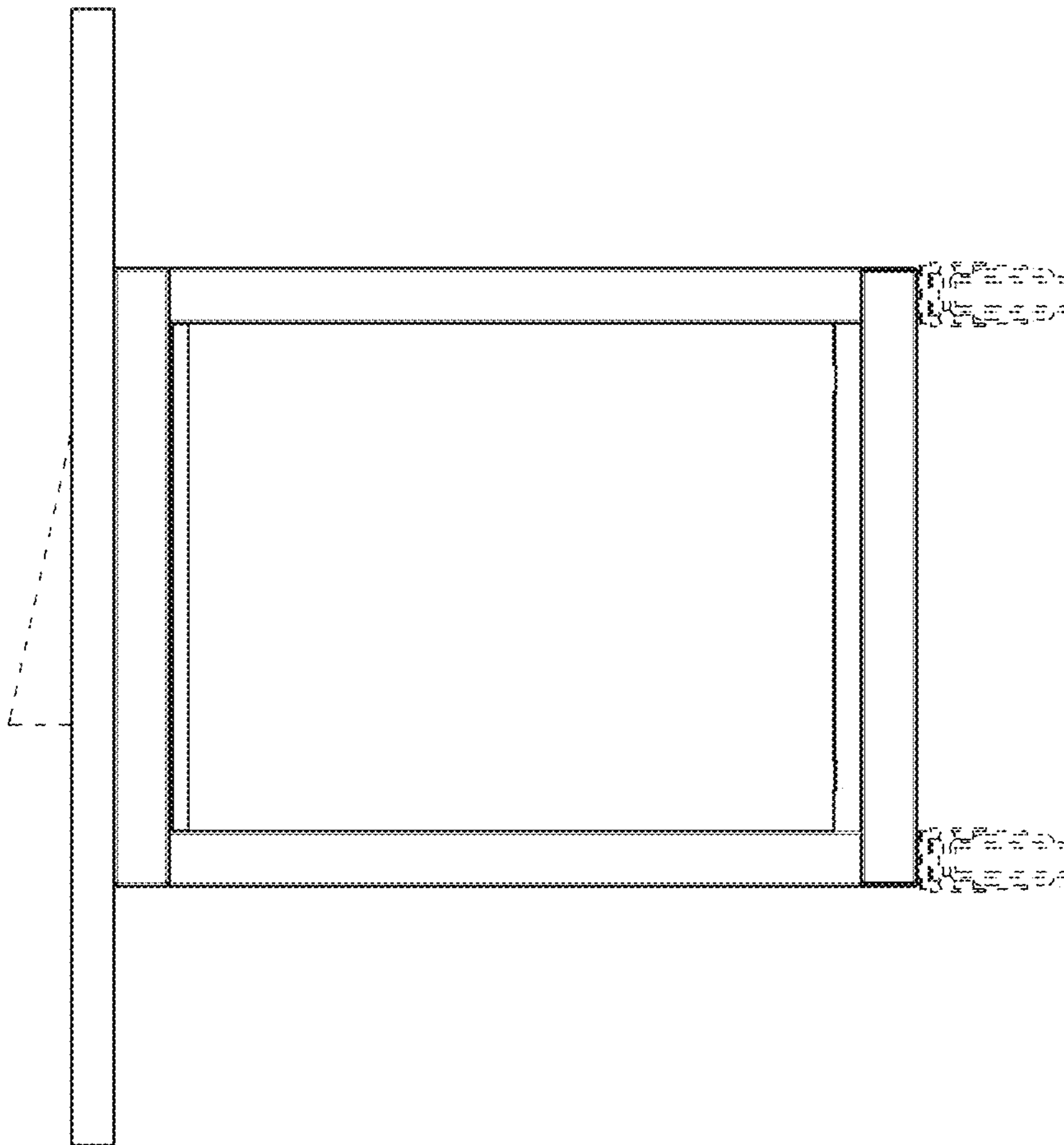


FIG. 5

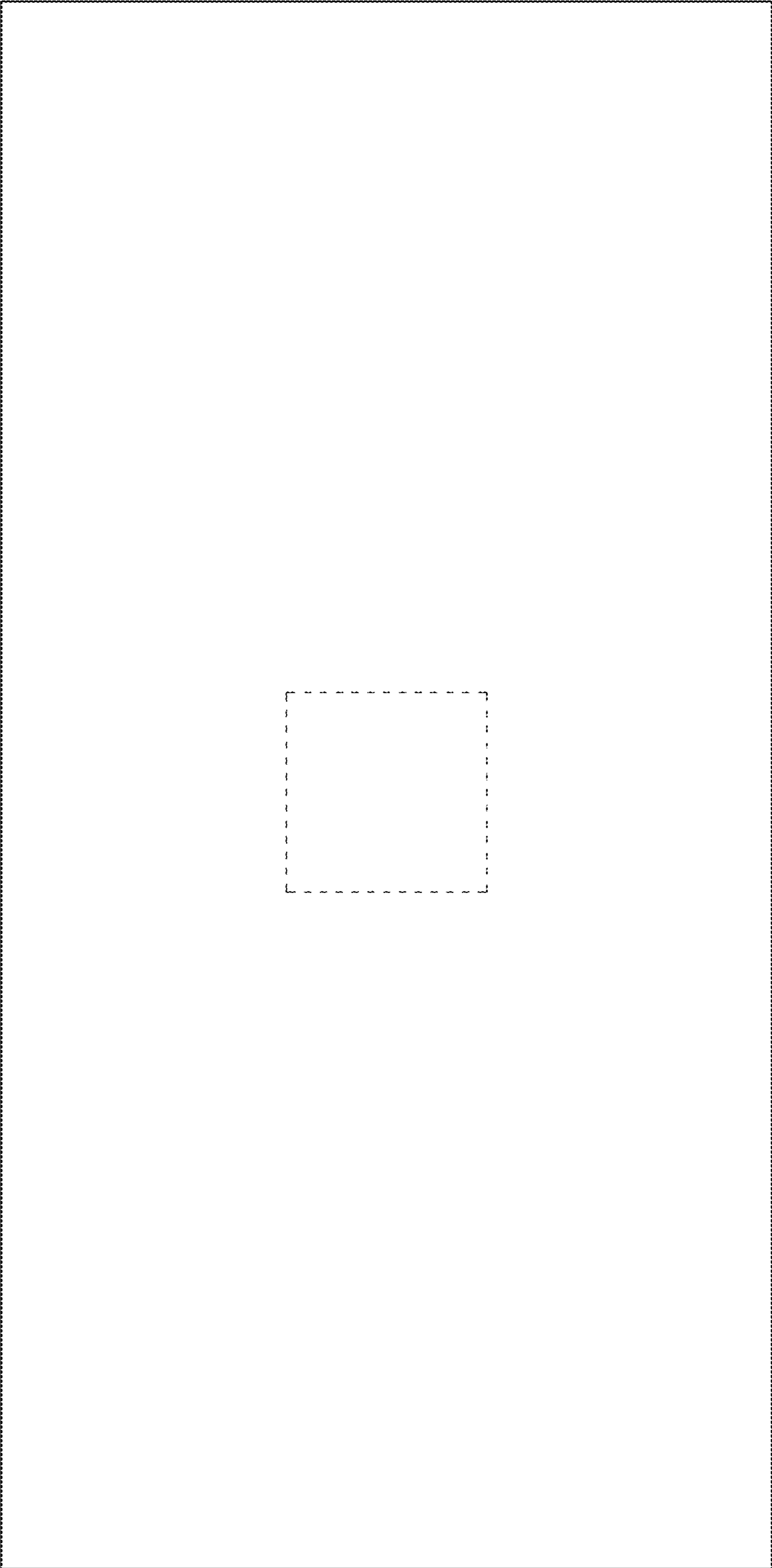


FIG. 6

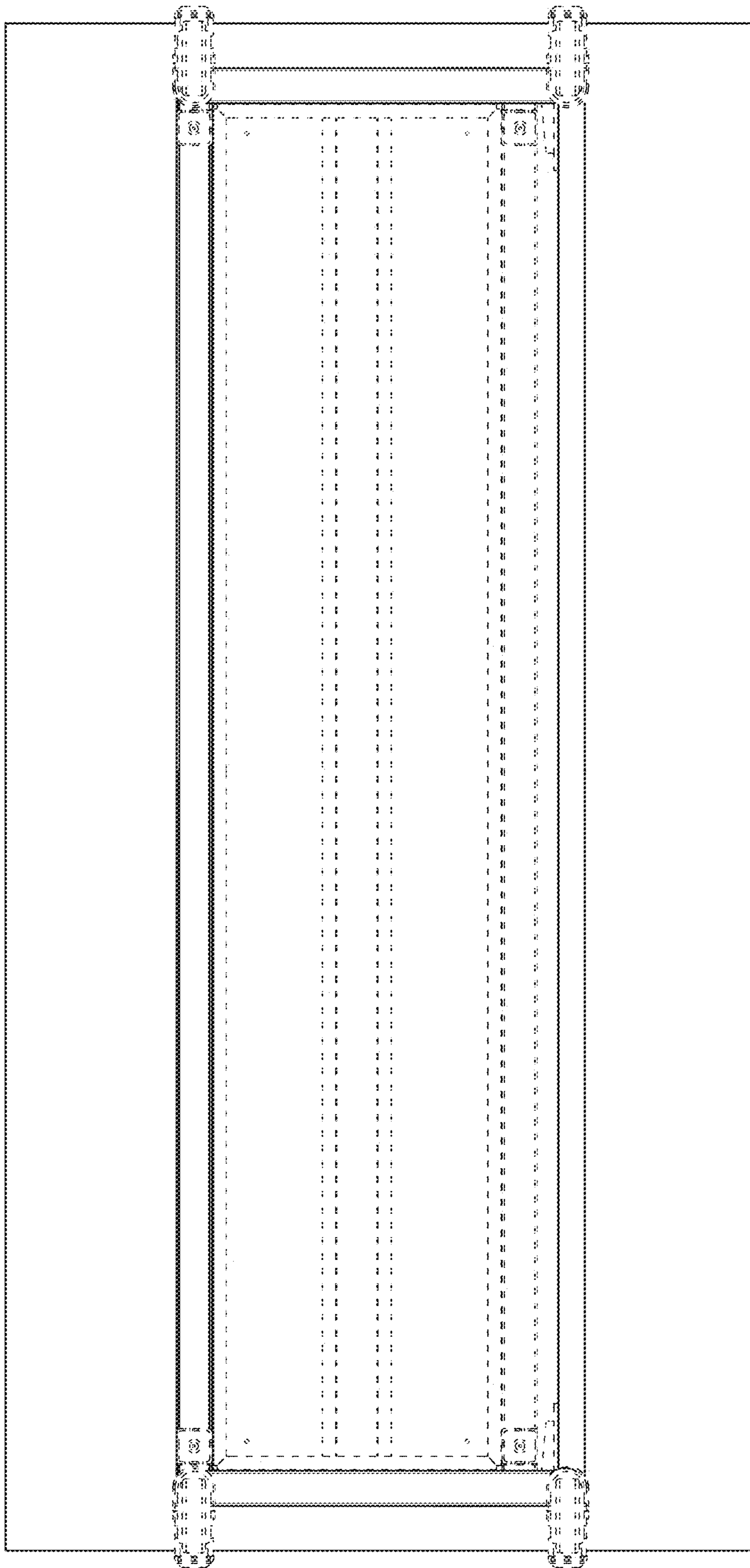


FIG. 7