

US00D964781S

(12) **United States Design Patent**
Yang

(10) **Patent No.:** **US D964,781 S**

(45) **Date of Patent:** **** Sep. 27, 2022**

(54) **CAR PILLOW**

(71) Applicant: **Shenzhen Langpu Creative Advertising Co., Ltd., Shenzhen (CN)**

(72) Inventor: **Jun Yang, Shenzhen (CN)**

(73) Assignee: **Shenzhen Langpu Creative Advertising Co., Ltd., Shenzhen (CN)**

(**) Term: **15 Years**

(21) Appl. No.: **29/790,734**

(22) Filed: **Dec. 13, 2021**

(30) **Foreign Application Priority Data**

Nov. 29, 2021 (CN) 202130787079.8

(51) **LOC (13) Cl.** **06-09**

(52) **U.S. Cl.**
USPC **D6/601; D6/716.5**

(58) **Field of Classification Search**
USPC D6/334-336, 356, 364, 365, 366, 367, D6/716, 716.1, 716.4, 716.5, 601; D24/184, 190
CPC A47C 7/38; A47C 7/386; A47C 7/383; B60N 2/00; B60N 2/20; B60N 2/58; B60N 2/64; B60N 2/646; B60N 2/686; B60N 2/80; B60N 2/803; B60N 2/806; B60N 2/882; B60N 2/885; B60N 2/832; B60N 2/856; A61H 23/0218
See application file for complete search history.

(56) **References Cited**

U.S. PATENT DOCUMENTS

D247,312 S * 2/1978 Zeiss D6/601
4,114,948 A * 9/1978 Perkey B60N 2/882
297/391

D251,168 S * 2/1979 Perkey D6/601
5,211,696 A * 5/1993 Lacy B60N 2/885
297/391
5,374,238 A * 12/1994 Xiao A61H 23/0218
601/56
6,669,300 B1 * 12/2003 Lee A47C 7/383
297/397
D542,071 S * 5/2007 Chan D6/601
D923,003 S 6/2021 Lin
D923,359 S * 6/2021 Zhou D6/601
D923,659 S 6/2021 Nudelman et al.
11,225,180 B2 * 1/2022 Wang B60N 2/882
D949,614 S * 4/2022 Wang D6/716.5

* cited by examiner

Primary Examiner — Mimosa De

(74) *Attorney, Agent, or Firm* — Jeenam Park

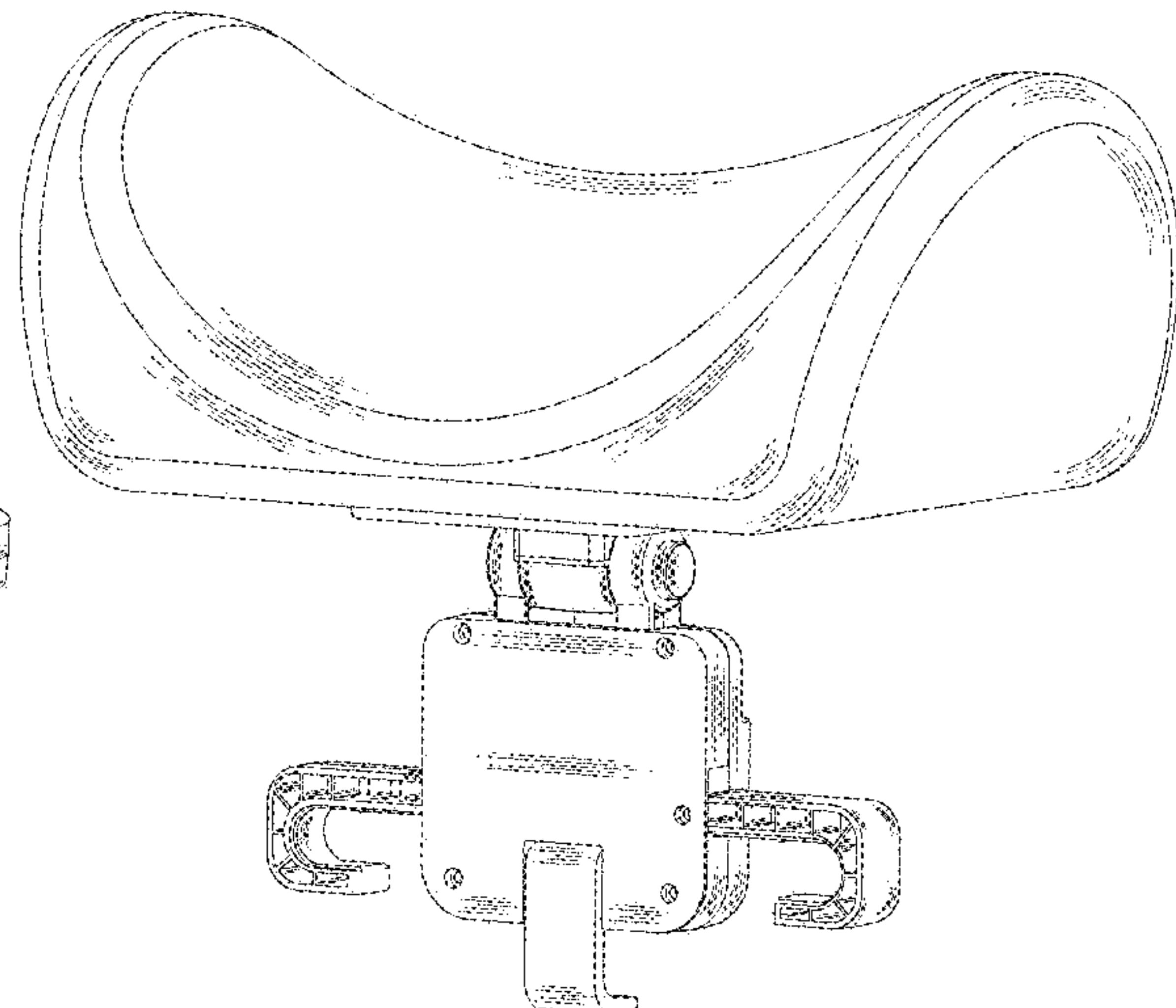
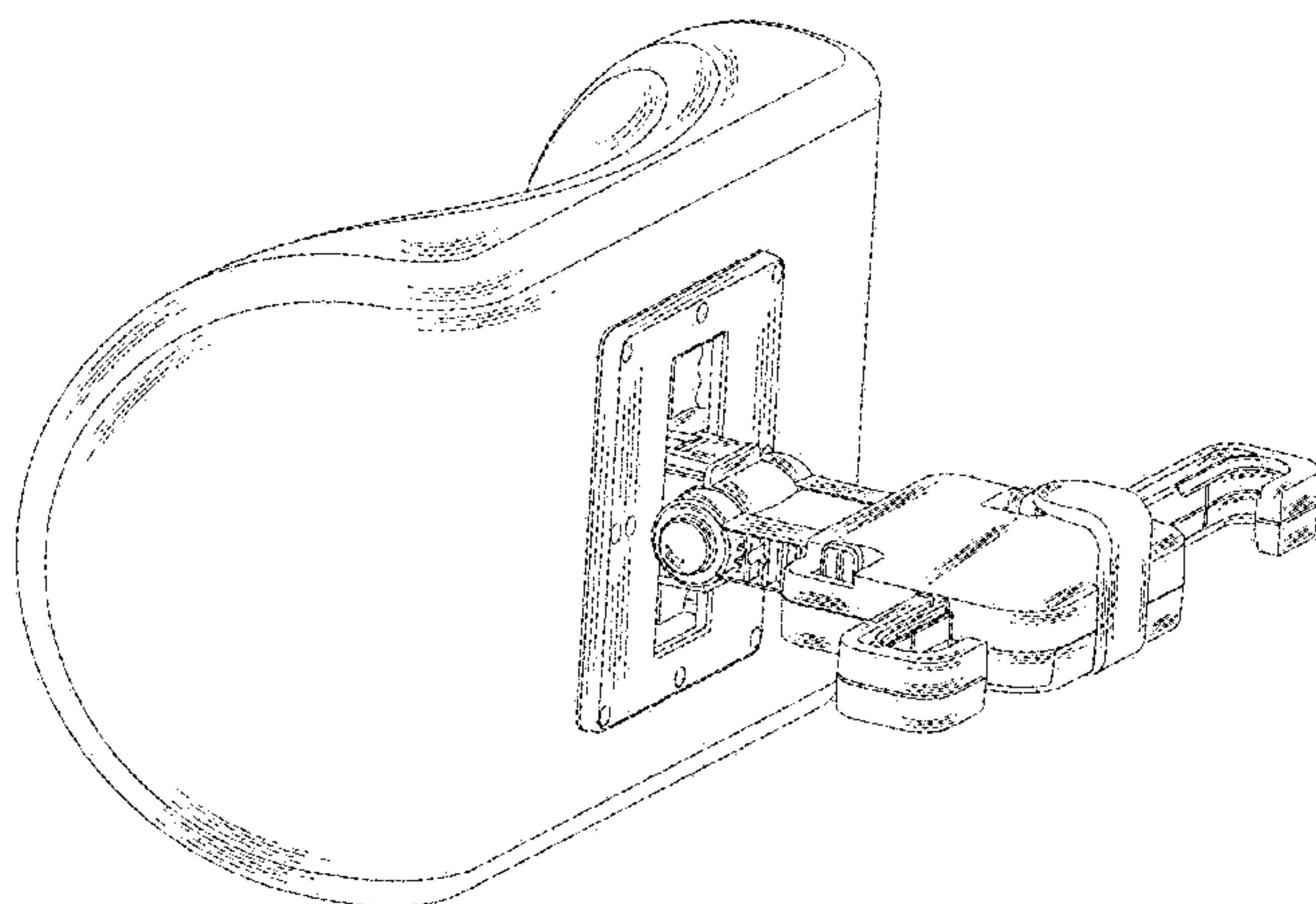
(57) **CLAIM**

The ornamental design for a car pillow, as shown and described.

DESCRIPTION

FIG. 1 is a perspective view of a car pillow, showing my new design;
FIG. 2 is another perspective view thereof;
FIG. 3 is another perspective view thereof;
FIG. 4 is a front view thereof;
FIG. 5 is a rear view thereof;
FIG. 6 is a left side view thereof;
FIG. 7 is a right side view thereof;
FIG. 8 is a top plan view thereof; and,
FIG. 9 is a bottom plan view thereof.

1 Claim, 9 Drawing Sheets



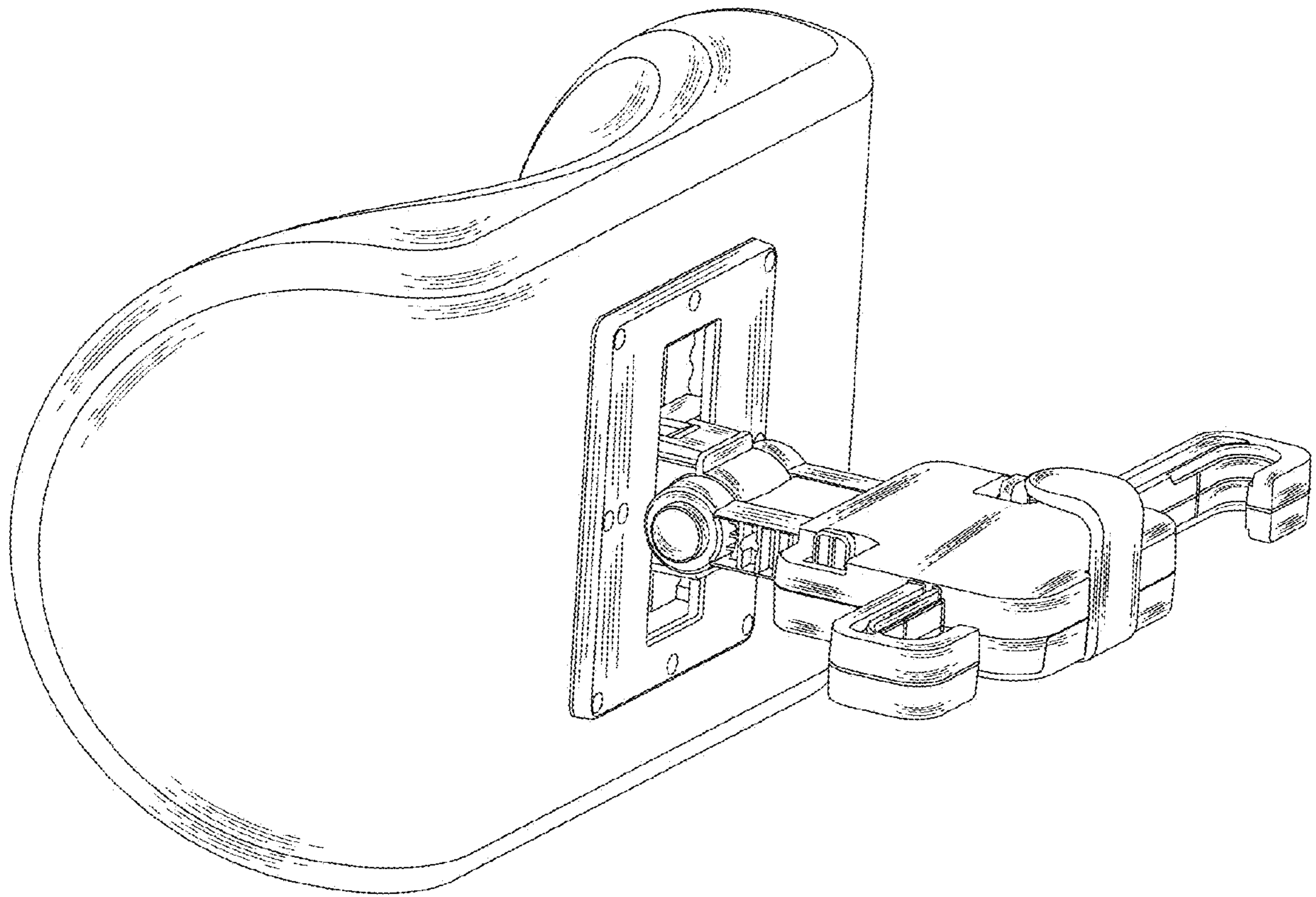


FIG. 1

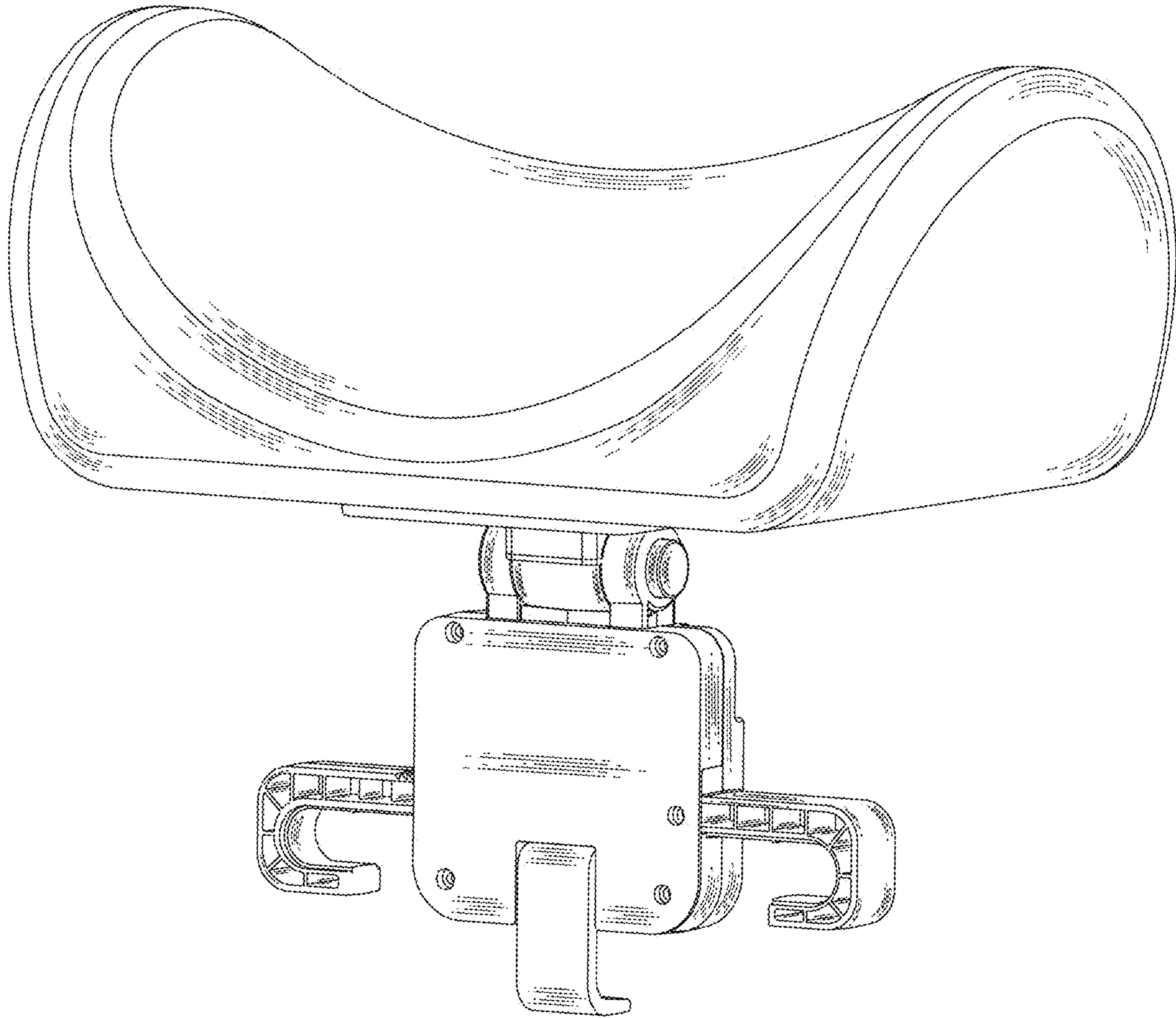


FIG. 2

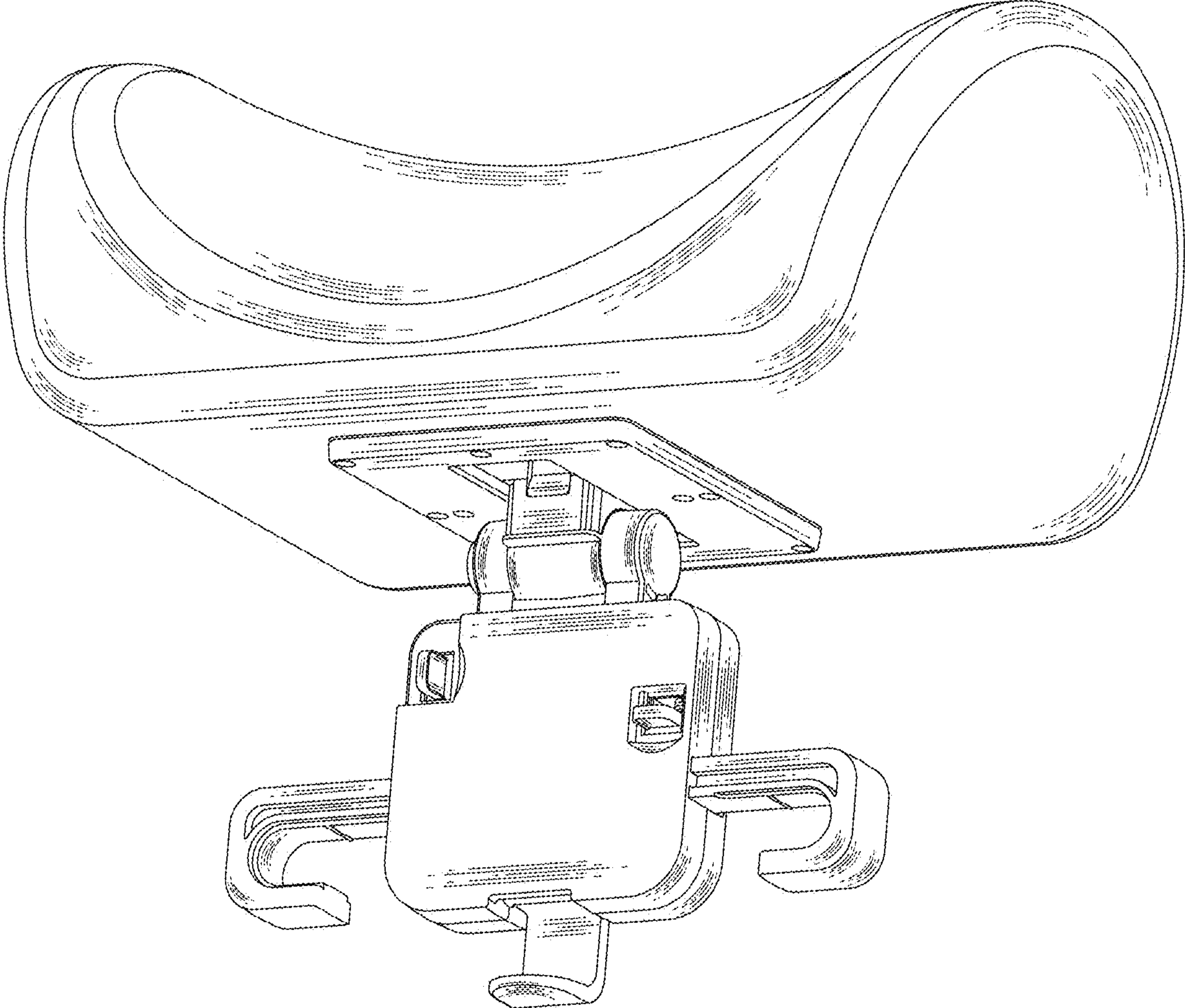


FIG. 3

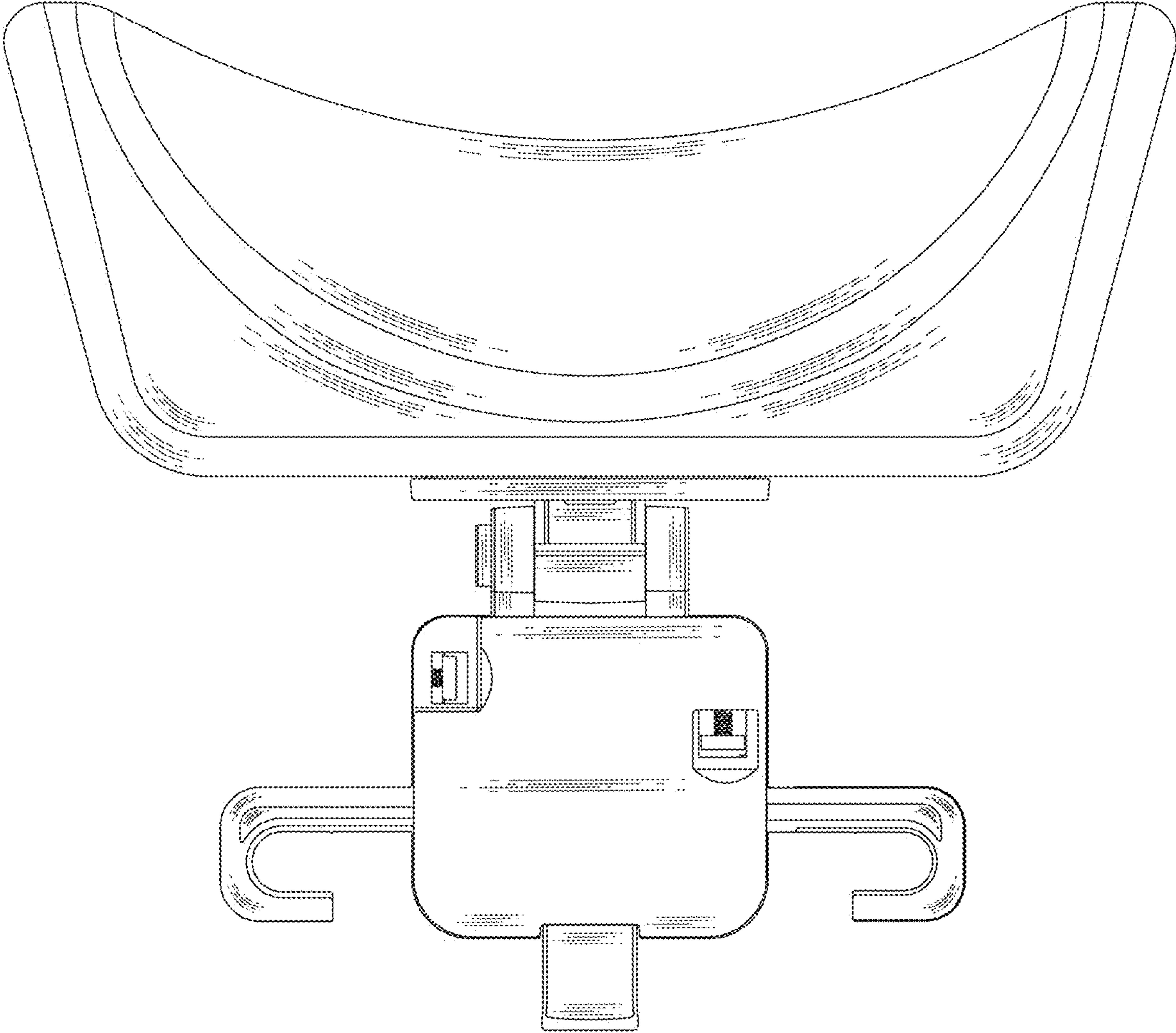


FIG. 4

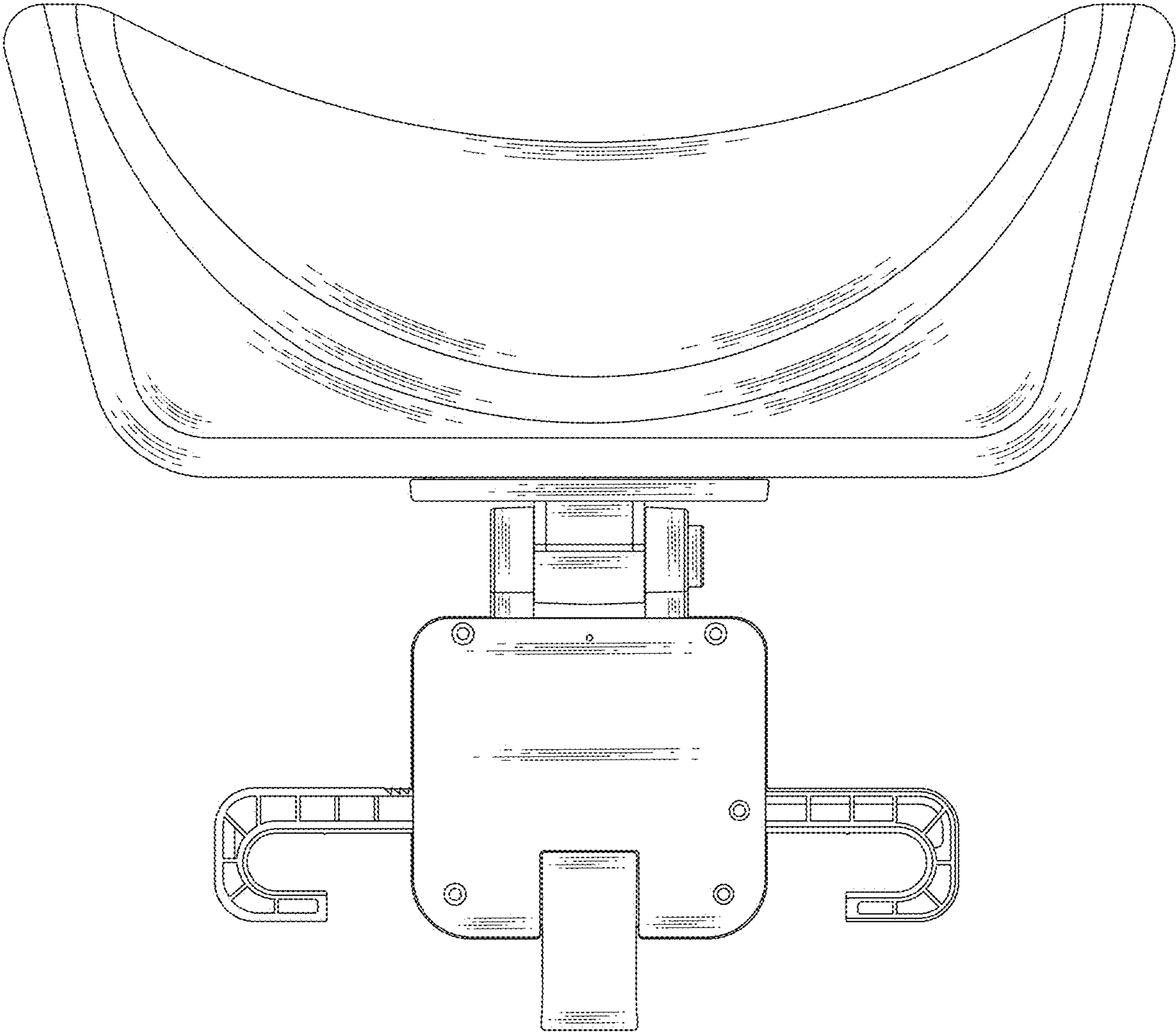


FIG. 5

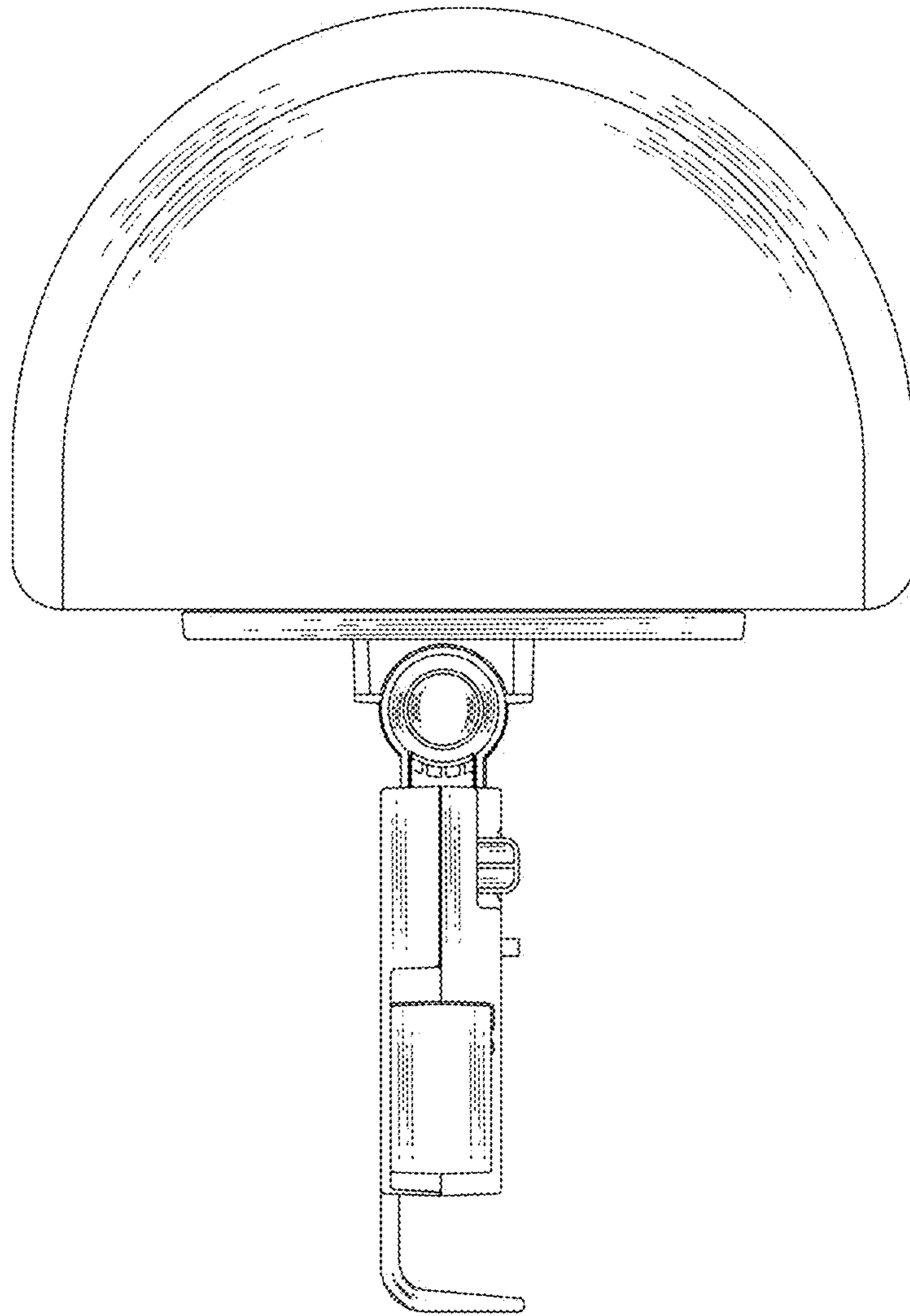


FIG. 6

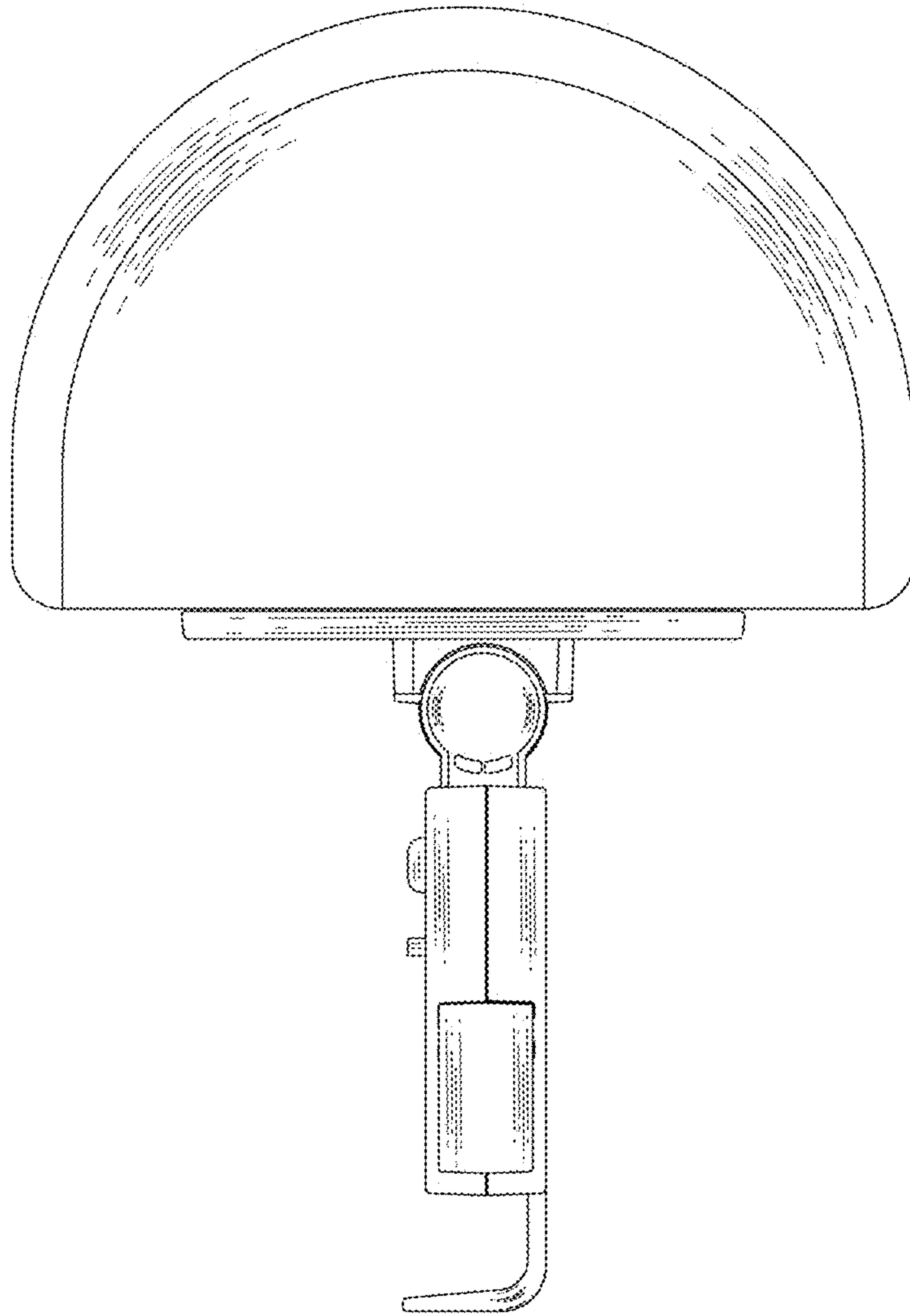


FIG. 7

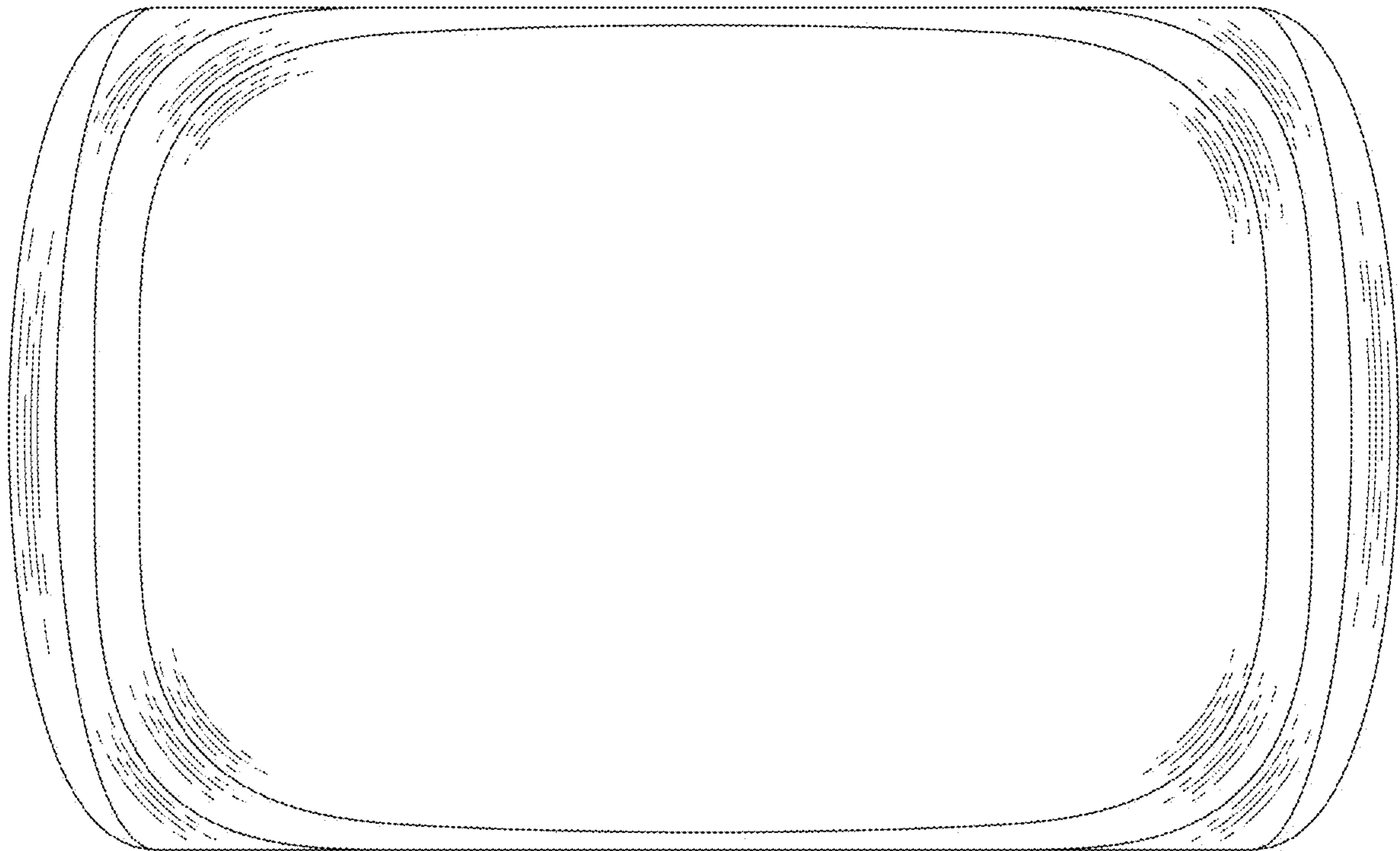


FIG. 8

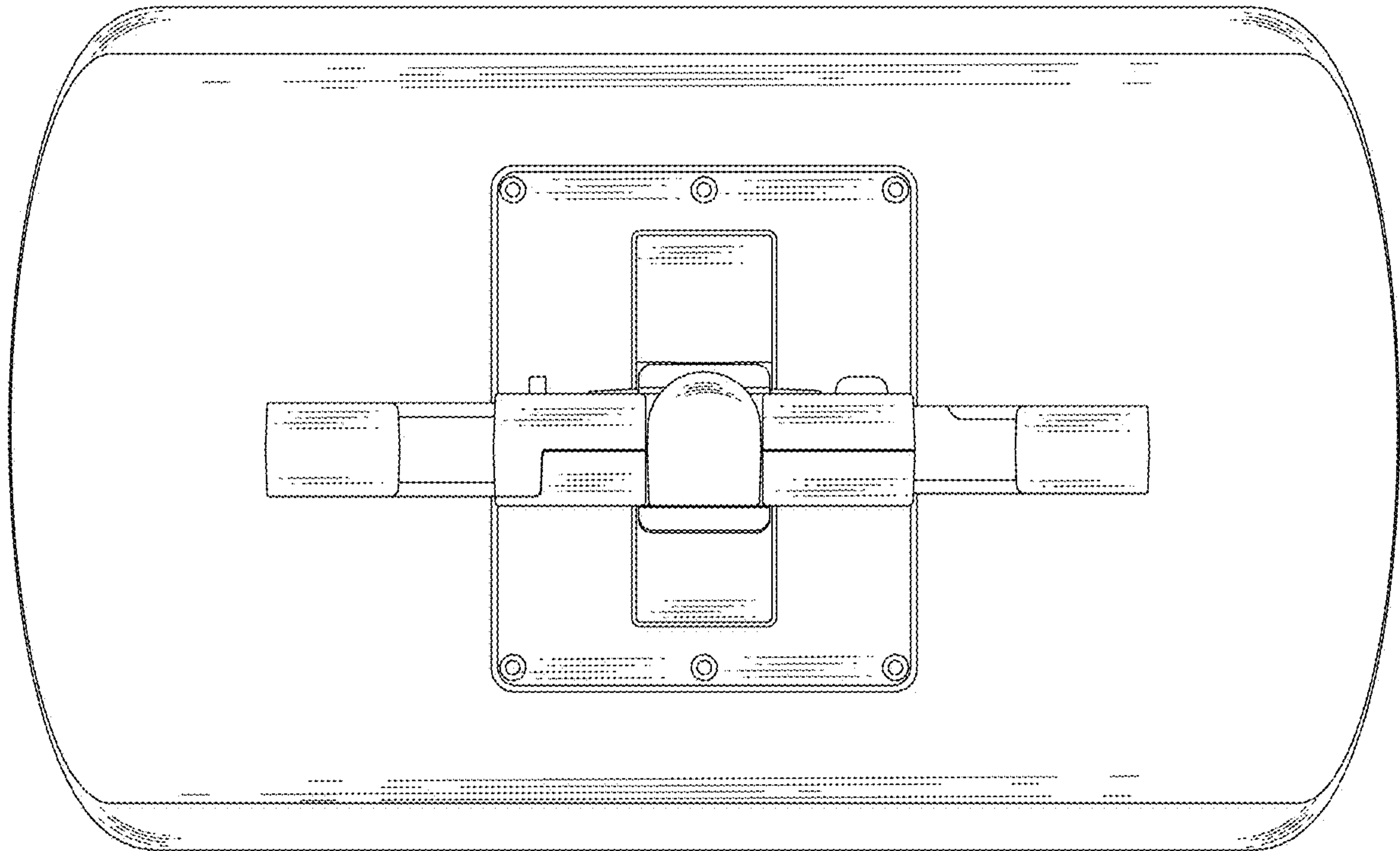


FIG. 9