

US00D964776S

(12) **United States Design Patent**
Stelmarski

(10) **Patent No.:** **US D964,776 S**
(45) **Date of Patent:** **** Sep. 27, 2022**

(54) **DISPENSER**

(71) Applicant: **InterDesign, Inc.**, Solon, OH (US)

(72) Inventor: **Brian Stelmarski**, Hudson, OH (US)

(73) Assignee: **InterDesign, Inc.**, Solon, OH (US)

(**) Term: **15 Years**

(21) Appl. No.: **29/750,992**

(22) Filed: **Sep. 17, 2020**

D404,312 S *	1/1999	Granai	D9/449
D462,275 S *	9/2002	Potts	D9/558
D465,370 S *	11/2002	Ouyoung	D6/524
D472,471 S *	4/2003	McClure	D9/500
D476,894 S *	7/2003	Masotta	D9/503
D477,226 S *	7/2003	Chirico	D9/503
D483,675 S *	12/2003	Lindsay	D9/503
D526,565 S *	8/2006	Griffin	D9/500
D530,954 S *	10/2006	Snell	D6/542
D535,563 S *	1/2007	Martin	D9/500
D537,362 S *	2/2007	Ivankovic	D9/691
D595,522 S *	7/2009	Snell	D6/542
D640,560 S *	6/2011	Snyder	D9/500

(Continued)

Related U.S. Application Data

(63) Continuation of application No. 29/709,363, filed on Oct. 14, 2019, now Pat. No. Des. 897,725, which is a continuation of application No. 29/549,424, filed on Dec. 22, 2015, now Pat. No. Des. 863,819, which is a continuation of application No. 29/460,619, filed on Jul. 12, 2013, now Pat. No. Des. 746,604, which is a continuation-in-part of application No. 29/449,963, filed on Mar. 15, 2013, now Pat. No. Des. 747,102.

(51) **LOC (13) Cl.** **23-02**

(52) **U.S. Cl.**
USPC **D6/542; D9/500**

(58) **Field of Classification Search**
USPC D6/542-545; D9/500, 682, 686, D9/688-691, 516, 549, 448, 435, 300
CPC A47K 5/12-1205; A47K 5/1211; B65D 1/40; B65D 23/0885; B65D 2203/00; B65D 2501/0081; B05B 11/0037; B05B 11/0097; B05B 11/3043; B05B 11/3045
See application file for complete search history.

(56) **References Cited**

U.S. PATENT DOCUMENTS

D211,510 S *	6/1968	Kieffer	D9/554
D217,585 S *	5/1970	Lambelet	D9/500
D396,590 S *	8/1998	Warshawsky	D6/542

OTHER PUBLICATIONS

Amazon.com, InterDesign 75601 White & Chrome Tall York Pump, Dec. 23, 2019, <https://www.amazon.com/InterDesign-75601-White-Chrome-Tall/dp/B06Y5F9GL2/> (Year: 2019).*

Primary Examiner — Nathan M Johnston

(74) *Attorney, Agent, or Firm* — Calfee, Halter & Griswold LLP

(57) **CLAIM**

I claim the ornamental design for a dispenser, as shown and described.

DESCRIPTION

FIG. 1 is a front/right/top perspective view of a dispenser (a front/left/top perspective view would be a mirror image thereof);

FIG. 2 is a front/right/bottom perspective view thereof (a front/left/bottom perspective view would be a mirror image thereof);

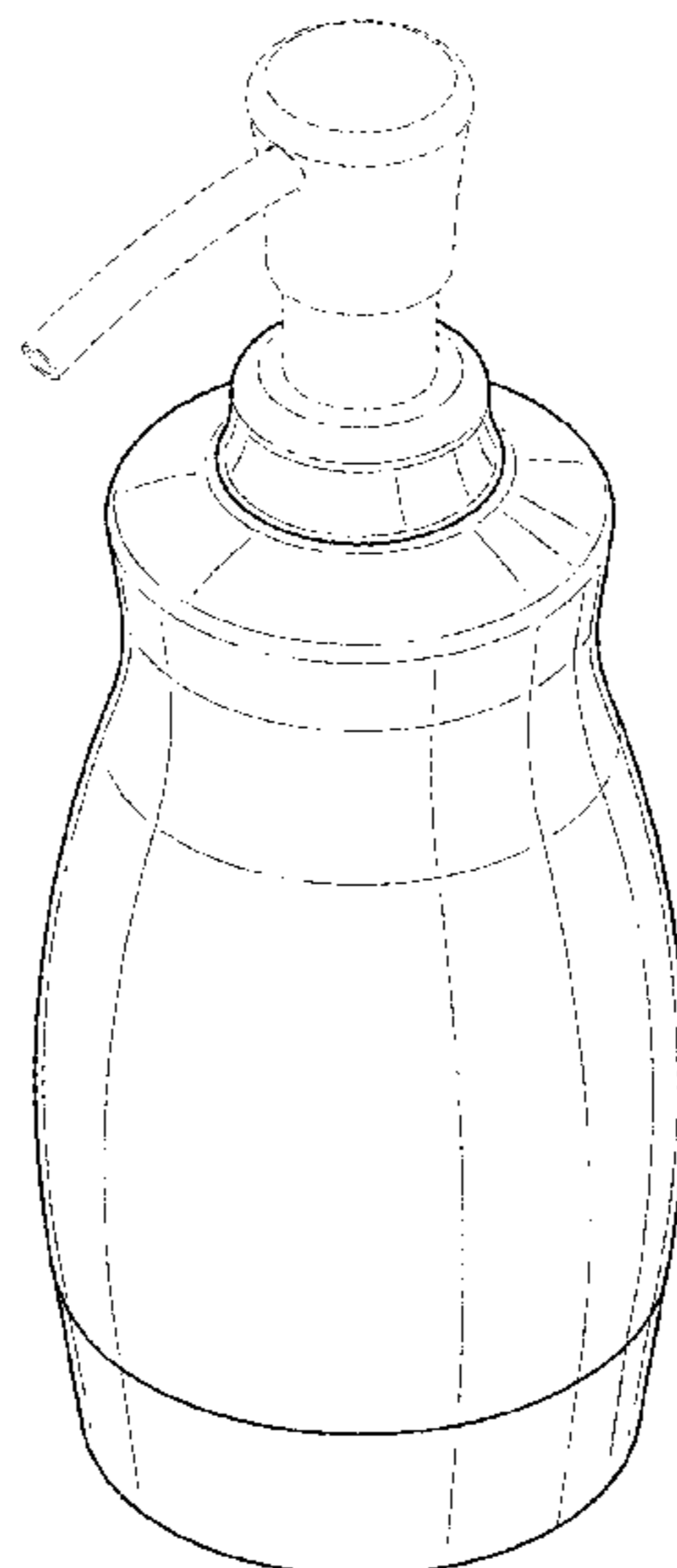
FIG. 3 is a rear elevational view thereof;

FIG. 4 is a left side elevational view thereof; and,

FIG. 5 is a top plan view thereof.

The broken lines show portions of the dispenser that form no part of the claimed design.

1 Claim, 5 Drawing Sheets



(56)

References Cited

U.S. PATENT DOCUMENTS

D644,052 S *	8/2011	Kraemer	D6/542
D672,655 S *	12/2012	Huffman	D9/500
D679,599 S *	4/2013	Becker	D9/503
D689,368 S *	9/2013	Kim	D9/558
D792,769 S *	7/2017	Bischoff	D9/500
D815,532 S *	4/2018	Zhou	D9/504
D864,722 S *	10/2019	Kauffman	D9/504
D891,184 S *	7/2020	Ayres	D9/500
D937,679 S *	12/2021	Severn	D9/500
D939,350 S *	12/2021	Burns	D9/520

* cited by examiner

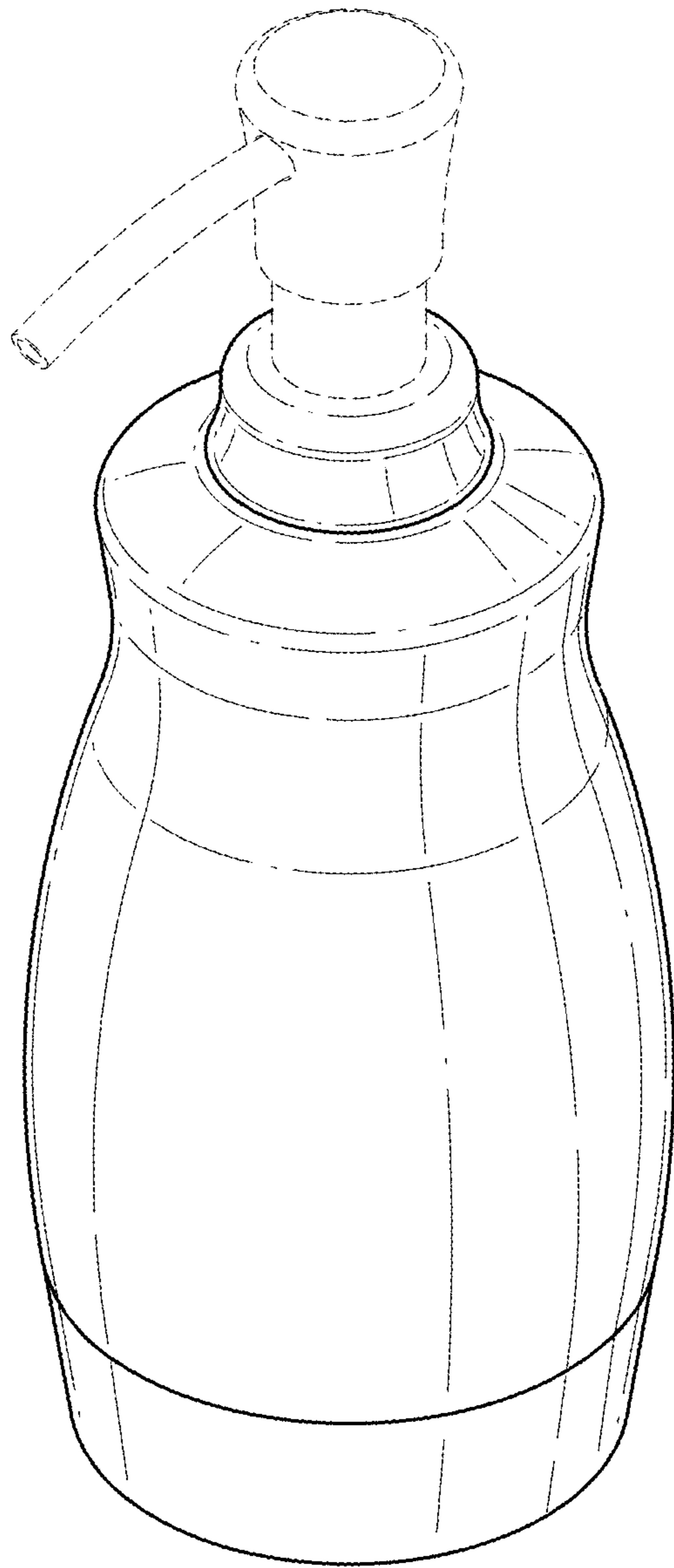


FIG. 1

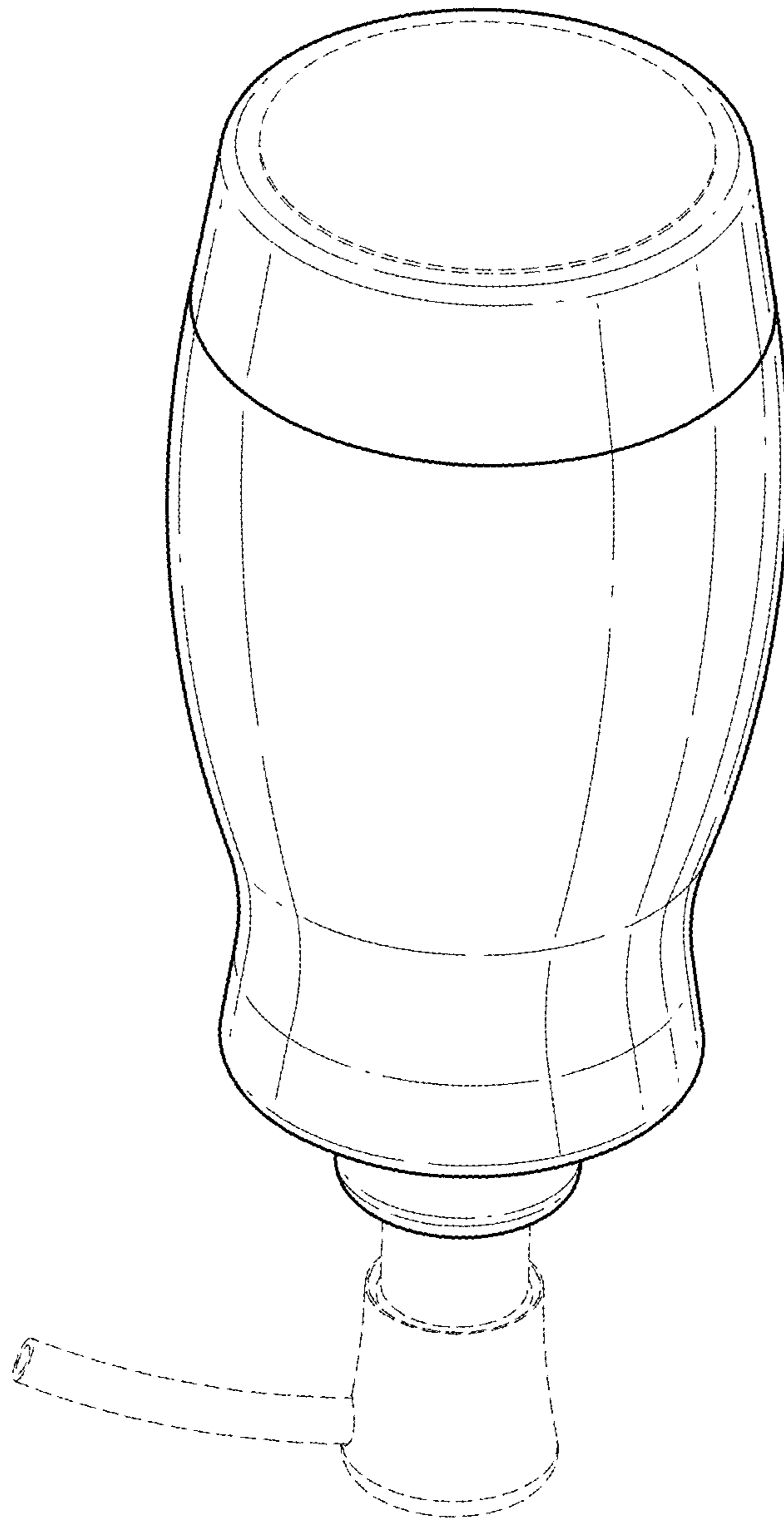


FIG. 2

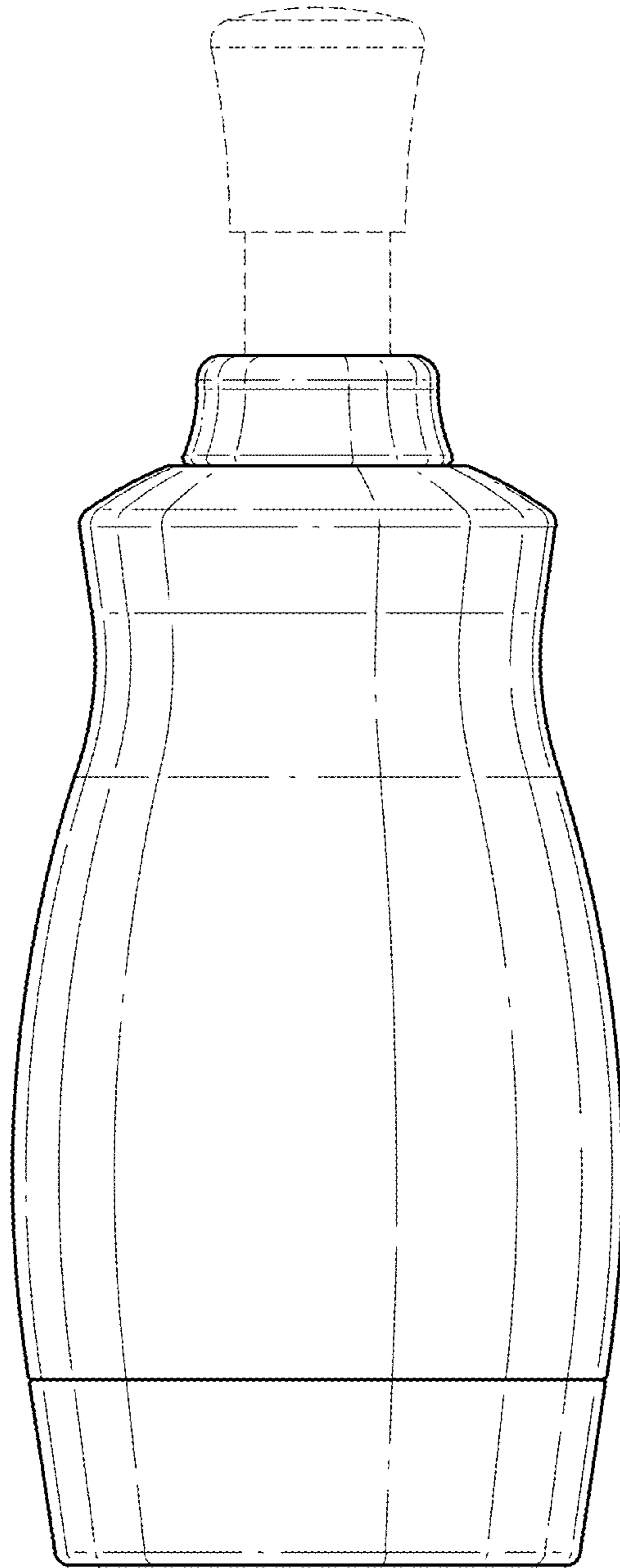


FIG. 3

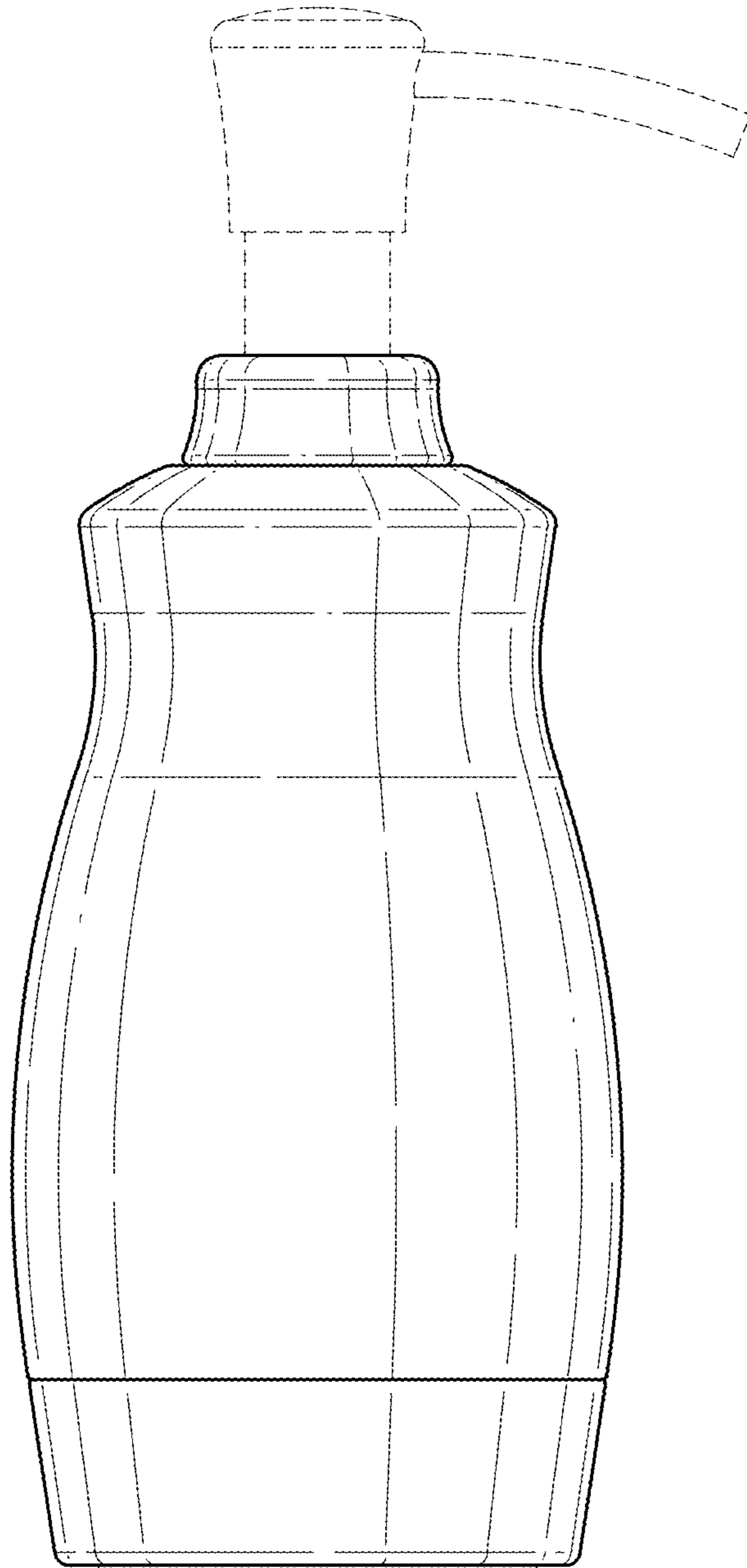


FIG. 4

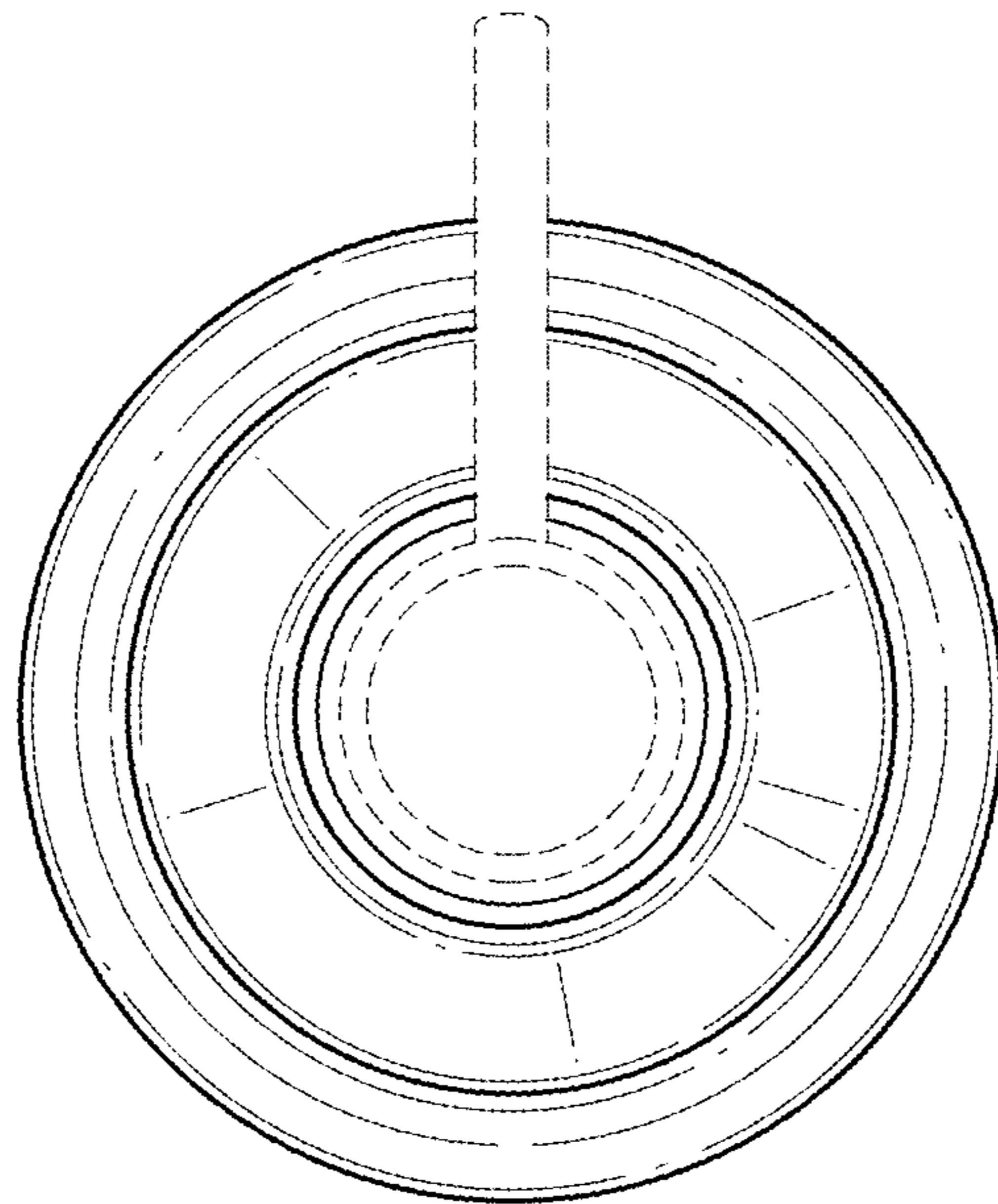


FIG. 5