



US00D964775S

(12) **United States Design Patent**
Ghiorghie

(10) **Patent No.:** **US D964,775 S**

(45) **Date of Patent:** **** Sep. 27, 2022**

(54) **DISPENSER**

(71) Applicant: **InterDesign, Inc.**, Solon, OH (US)

(72) Inventor: **Radu Alexandru Ghiorghie**, Copley, OH (US)

(73) Assignee: **InterDesign, Inc.**, Solon, OH (US)

(**) Term: **15 Years**

(21) Appl. No.: **29/733,236**

(22) Filed: **Apr. 30, 2020**

Related U.S. Application Data

(60) Division of application No. 29/664,518, filed on Sep. 26, 2018, now Pat. No. Des. 925,229, which is a continuation of application No. 29/576,756, filed on Sep. 7, 2016, now Pat. No. Des. 830,060, which is a continuation of application No. 29/487,228, filed on Apr. 7, 2014, now Pat. No. Des. 767,950.

(51) **LOC (13) Cl.** **23-02**

(52) **U.S. Cl.**
USPC **D6/542; D9/500**

(58) **Field of Classification Search**
USPC D6/542–545; D9/500, 682, 686,
D9/688–691, 516, 549, 448, 435, 300
CPC A47K 5/12–1205; A47K 5/1211;
B65D 1/40; B65D 23/0885; B65D
2203/00; B65D 2501/0081; B05B
11/0037; B05B 11/0097; B05B 11/3043;
B05B 11/3045

See application file for complete search history.

(56) **References Cited**

U.S. PATENT DOCUMENTS

D211,510 S * 6/1968 Kieffer D9/554
D217,585 S * 5/1970 Lambelet D9/500
D396,590 S * 8/1998 Warshawsky D6/542

D404,312 S * 1/1999 Granai D9/449
D462,275 S * 9/2002 Potts D9/558
D465,370 S * 11/2002 Ouyoung D6/524
D472,471 S * 4/2003 McClure D9/500
D476,894 S * 7/2003 Masotta D9/503
D477,226 S * 7/2003 Chirico D9/503
D483,675 S * 12/2003 Lindsay D9/503
D526,565 S * 8/2006 Griffin D9/500
D530,954 S * 10/2006 Snell D6/542
D535,563 S * 1/2007 Martin D9/500
D537,362 S * 2/2007 Ivankovic D9/691

(Continued)

OTHER PUBLICATIONS

Amazon.com, InterDesign Ashford Liquid Soap & Lotion Dispenser Pump, Oct. 1, 2014, <https://www.amazon.com/InterDesign-Ashford-Dispenser-Bathroom-Countertops/dp/B00C7TOMMY/?th=1> (Year: 2014).*

Primary Examiner — Nathan M Johnston
(74) *Attorney, Agent, or Firm* — Calfee, Halter & Griswold, LLP

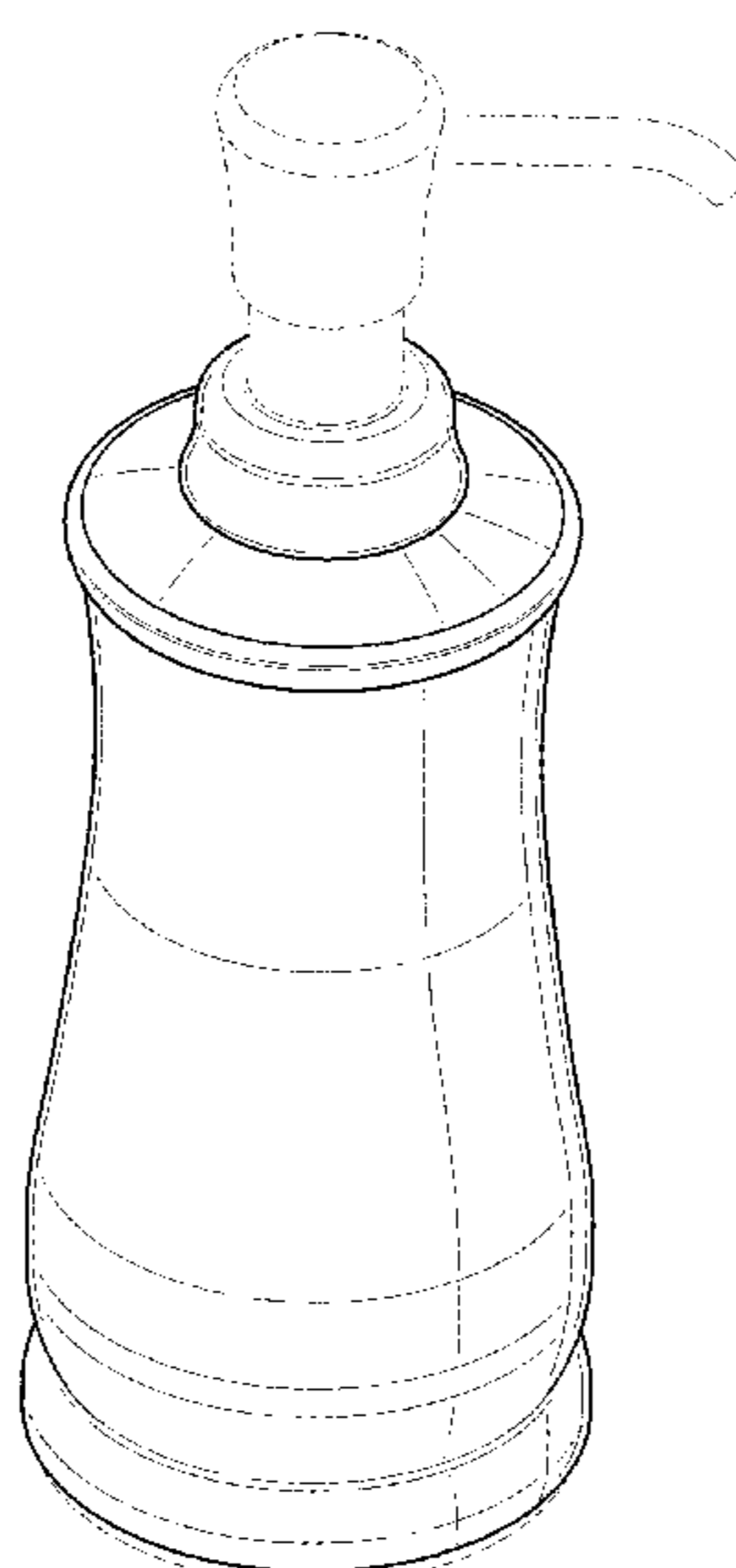
(57) **CLAIM**

I claim the ornamental design for a dispenser, as shown and described.

DESCRIPTION

FIG. 1 is a left/top perspective view of a dispenser (a right/top perspective view would be a mirror image thereof); FIG. 2 is a right/bottom perspective view thereof (a left/bottom perspective view would be a mirror image thereof); FIG. 3 is a front elevational view thereof; FIG. 4 is a rear elevational view thereof; FIG. 5 is a left side elevational view thereof (a right side elevational view would be a mirror image thereof); FIG. 6 is a top plan view thereof; and, FIG. 7 is a bottom plan view thereof. The broken lines show portions of the dispenser that form no part of the claimed design.

1 Claim, 6 Drawing Sheets



(56)

References Cited

U.S. PATENT DOCUMENTS

D595,522	S	*	7/2009	Snell	D6/542
D640,560	S	*	6/2011	Snyder	D9/500
D644,052	S	*	8/2011	Kraemer	D6/542
D672,655	S	*	12/2012	Huffman	D9/500
D679,599	S	*	4/2013	Becker	D9/503
D689,368	S	*	9/2013	Kim	D9/558
D792,769	S	*	7/2017	Bischoff	D9/500
D815,532	S	*	4/2018	Zhou	D9/504
D864,722	S	*	10/2019	Kauffman	D9/504
D891,184	S	*	7/2020	Ayres	D9/500
D937,679	S	*	12/2021	Severn	D9/500
D939,350	S	*	12/2021	Burns	D9/520

* cited by examiner

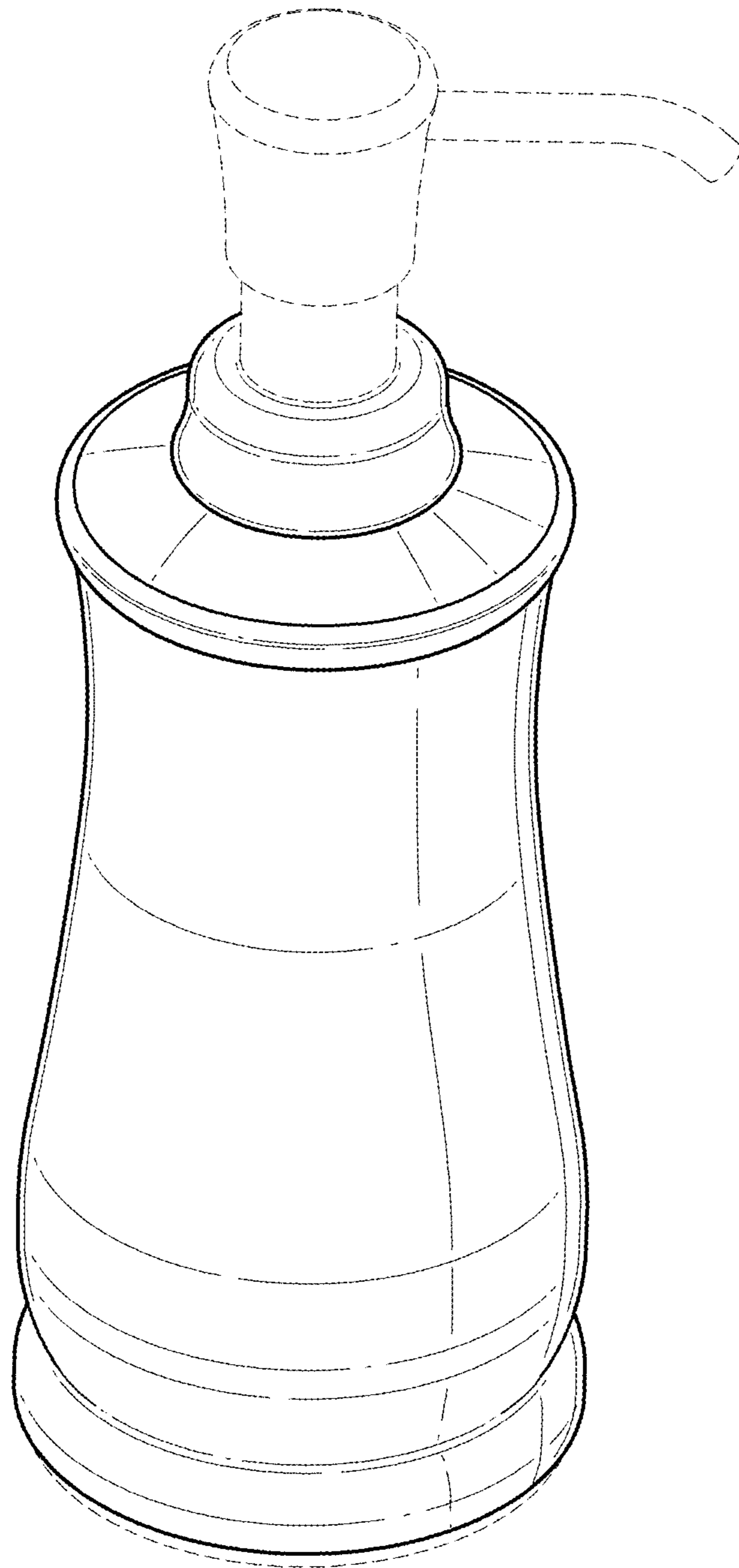


FIG. 1



FIG. 2

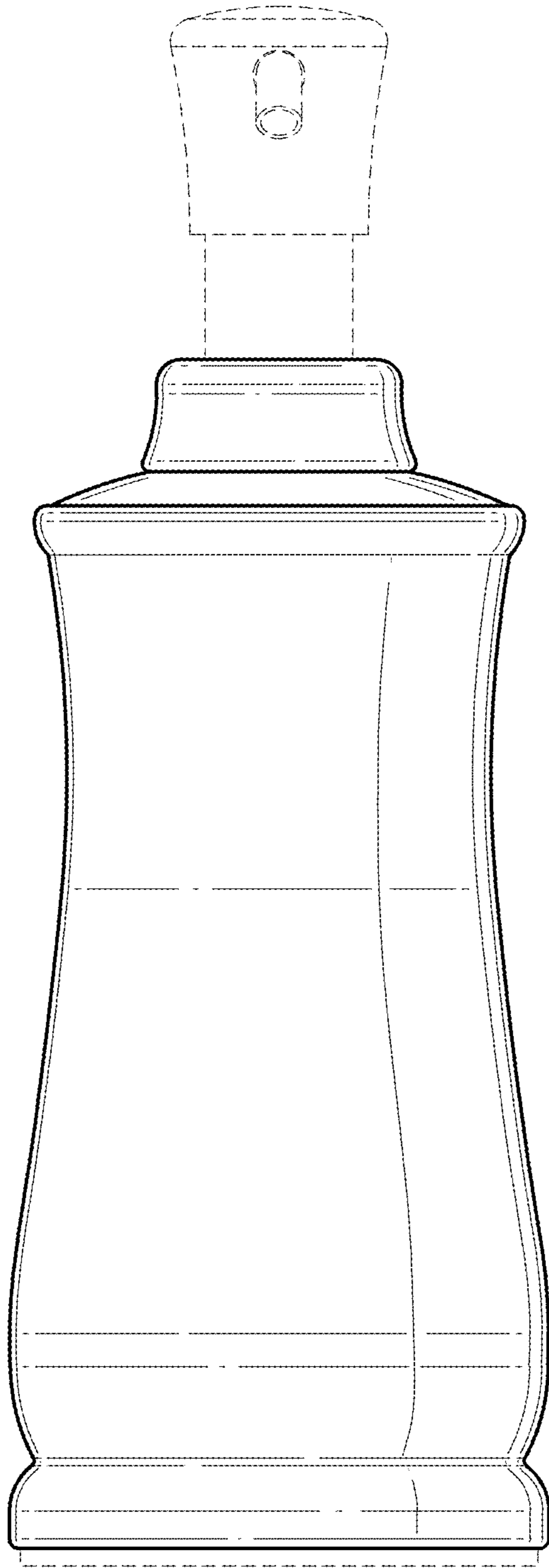


FIG. 3

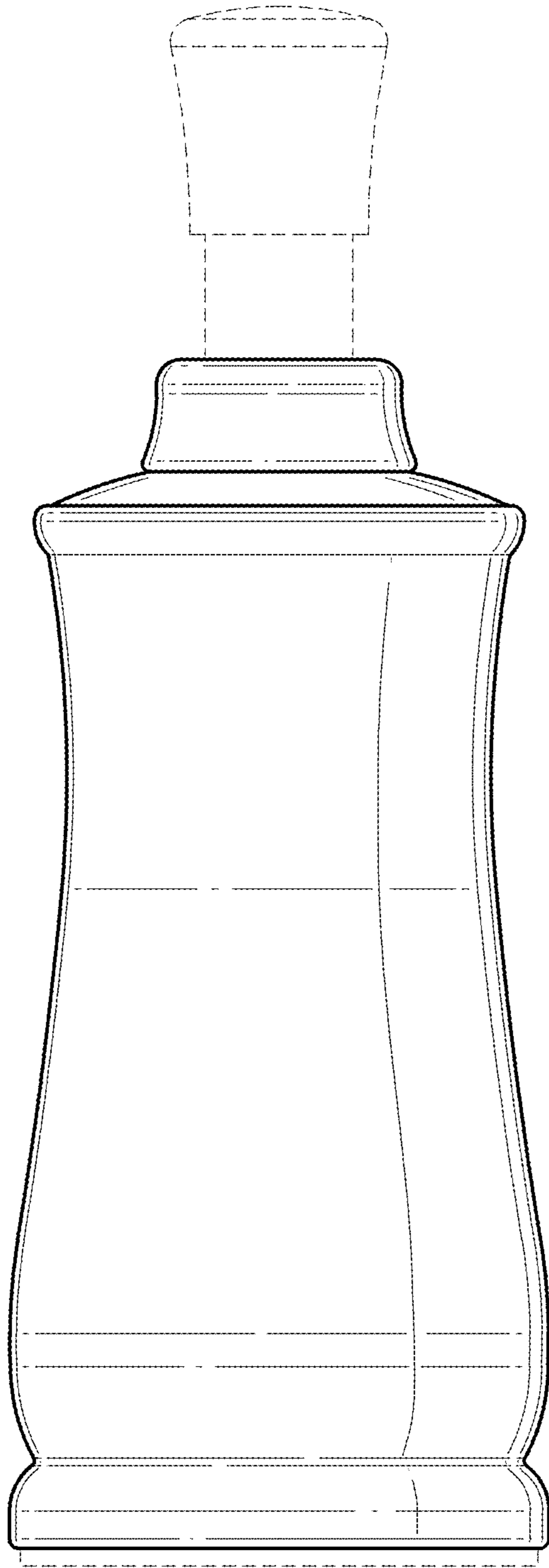


FIG. 4

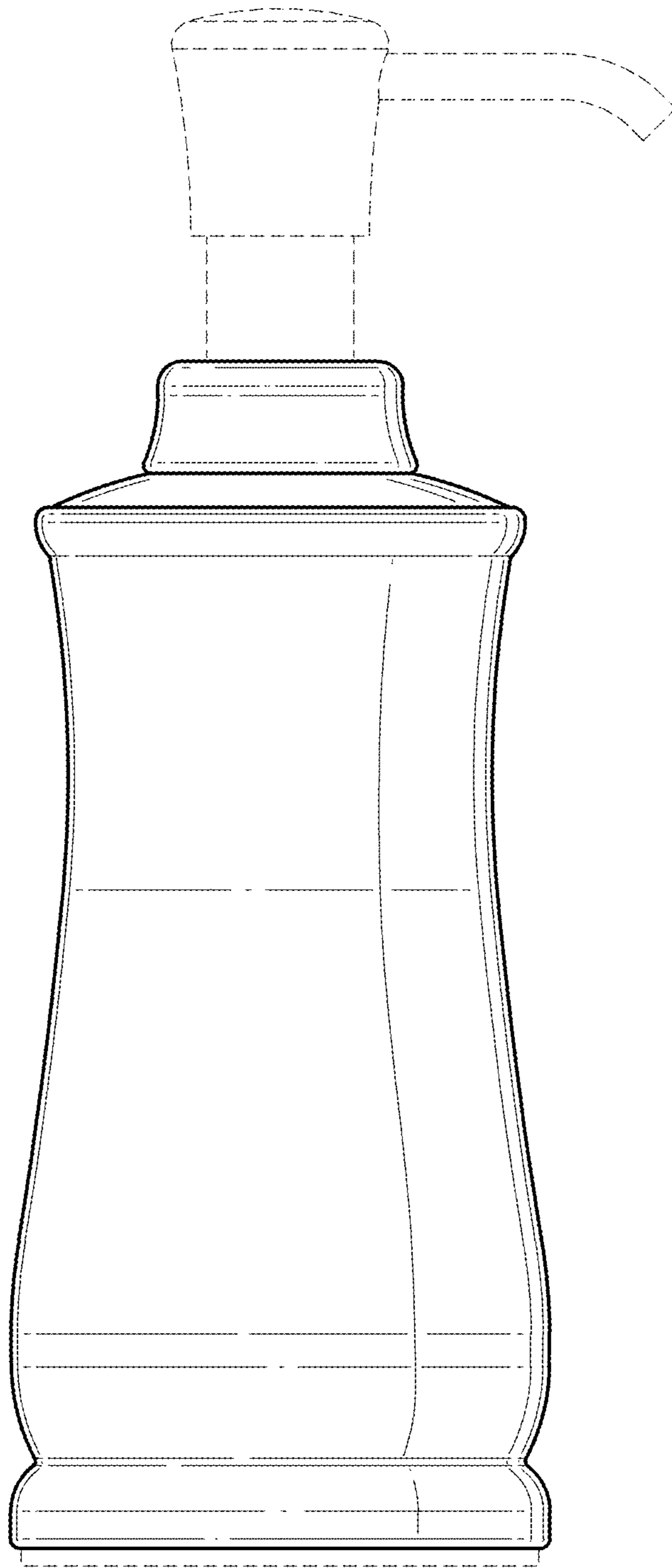


FIG. 5

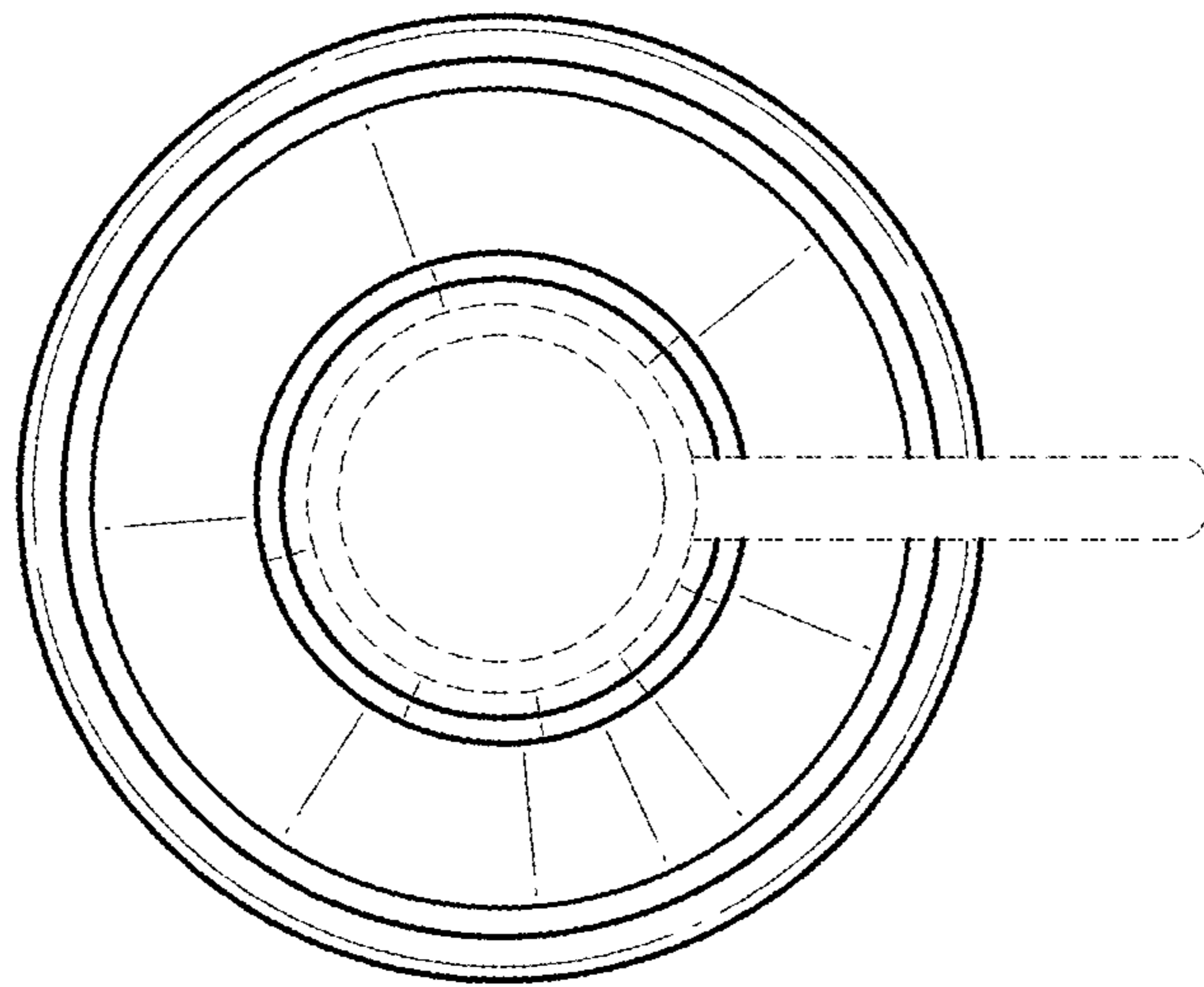


FIG. 6

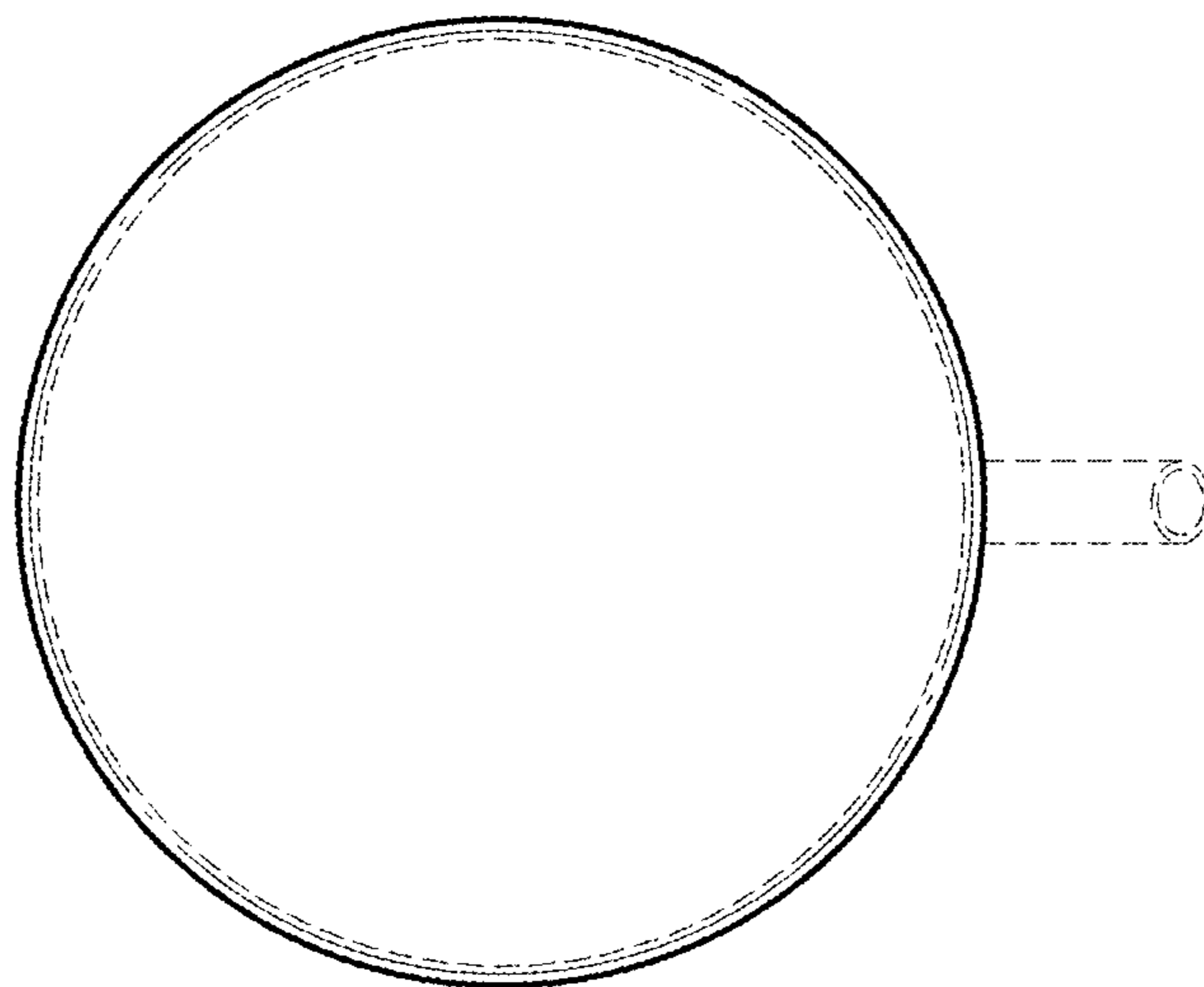


FIG. 7