

US00D964774S

(12) **United States Design Patent**
Huang

(10) **Patent No.:** **US D964,774 S**
(45) **Date of Patent:** **** Sep. 27, 2022**

(54) **RACK**

(71) Applicant: **Dong Huang**, Sichuan (CN)

(72) Inventor: **Dong Huang**, Sichuan (CN)

(**) Term: **15 Years**

(21) Appl. No.: **29/835,081**

(22) Filed: **Apr. 15, 2022**

(51) **LOC (13) Cl.** **06-04**

(52) **U.S. Cl.**
USPC **D6/525**

(58) **Field of Classification Search**

USPC D6/672, 675, 675.1, 675.2, 675.3, 683,
D6/512, 513, 514, 524, 525, 527, 567,
D6/570, 573, 574, 563, 564, 553, 304,
D6/566, 675.5; D7/600.1, 600.4;
D3/201, 304, 306, 310, 313, 318;
211/12, 13.1, 85.3, 85.9, 30, 32, 85.31,
211/86.01, 87.01, 88.04, 90.03, 94.02,
211/106, 106.1, 119.009; 221/126.2,
221/126.9, 188, 151

CPC ... A47K 5/03; A47K 5/04; A47K 5/02; A47K
5/00; A47K 5/18

See application file for complete search history.

(56) **References Cited**

U.S. PATENT DOCUMENTS

D530,948 S *	10/2006	Snell	D6/525
D568,657 S *	5/2008	Snider	A47K 3/281
				D6/525
D584,056 S *	1/2009	Ghiorghie	D6/513
D616,235 S *	5/2010	Guindi	D6/525
D616,680 S *	6/2010	Snider	D6/513
D677,089 S *	3/2013	Tawil	D6/525
D753,422 S *	4/2016	Snider	D6/675.3
D784,721 S *	4/2017	Goodman	D6/525
9,770,138 B2 *	9/2017	Engell	A47K 5/04
D878,098 S *	3/2020	Goodman	D6/566
D893,216 S *	8/2020	Goodman	D6/566

(Continued)

FOREIGN PATENT DOCUMENTS

CN	304239048	*	8/2017
CN	307028557	*	12/2021

OTHER PUBLICATIONS

Over the Door 5-Hook Rack with Basket. The Container Store (online) 4 pgs. Available 2016. [Retrieved Aug. 3, 2022] <https://www.containerstore.com/s/storage/hooks-racks/satin-nickel-over-the-door-5-hook-rack-with-basket/12d?productId=11003974> (Year: 2016).*

Primary Examiner — Marie D. Fast Horse

Assistant Examiner — Jennifer Sierra Yosinski

(57) **CLAIM**

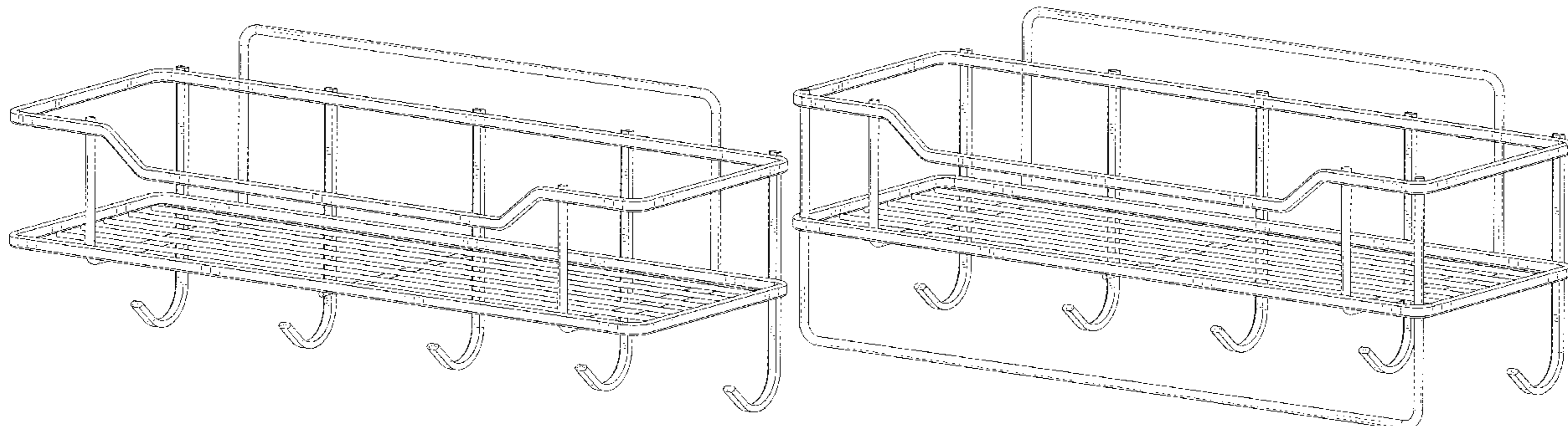
The ornamental design for a rack, as shown and described.

DESCRIPTION

FIG. 1 is a front and top perspective view of a first embodiment of a rack, showing my new design; FIG. 2 is a rear and bottom perspective view thereof; FIG. 3 is a front view thereof; FIG. 4 is a rear view thereof; FIG. 5 is a left side view thereof; FIG. 6 is a right side view thereof; FIG. 7 is a top view thereof; FIG. 8 is a bottom view thereof; FIG. 9 is a front and top perspective view of a second embodiment of the rack; FIG. 10 is a rear and bottom perspective view thereof; FIG. 11 is a front view thereof; FIG. 12 is a rear view thereof; FIG. 13 is a left side view thereof; FIG. 14 is a right side view thereof; FIG. 15 is a top view thereof; and, FIG. 16 is a bottom view thereof.

The broken lines in the figures illustrate portions of the rack that form no part of the claimed design.

1 Claim, 16 Drawing Sheets



(56)

References Cited

U.S. PATENT DOCUMENTS

D911,081 S	2/2021	Zhou	
10,959,517 B2 *	3/2021	Elliott	F16B 2/185
D955,136 S *	6/2022	Qiu	D6/566

* cited by examiner

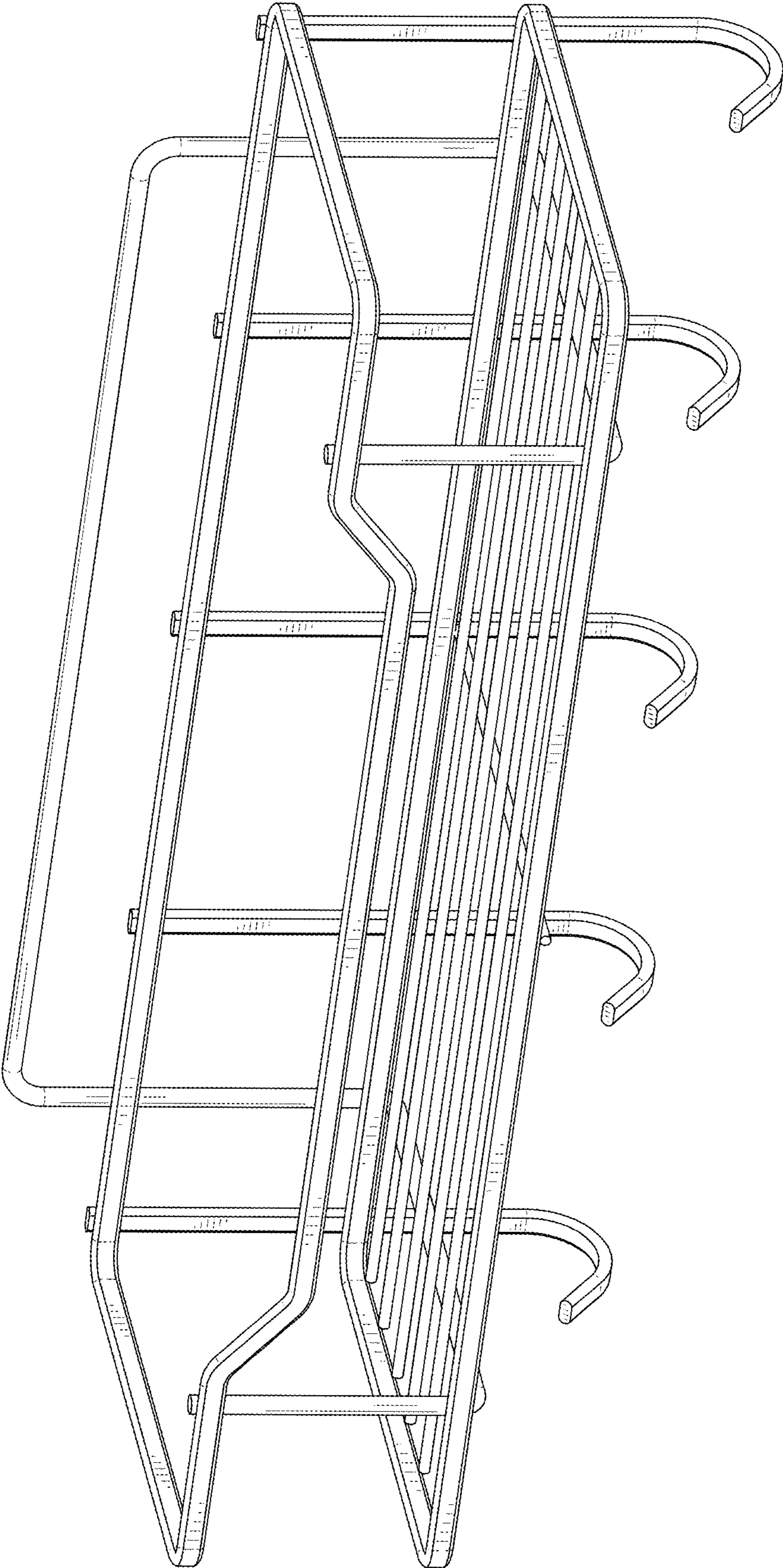


FIG. 1

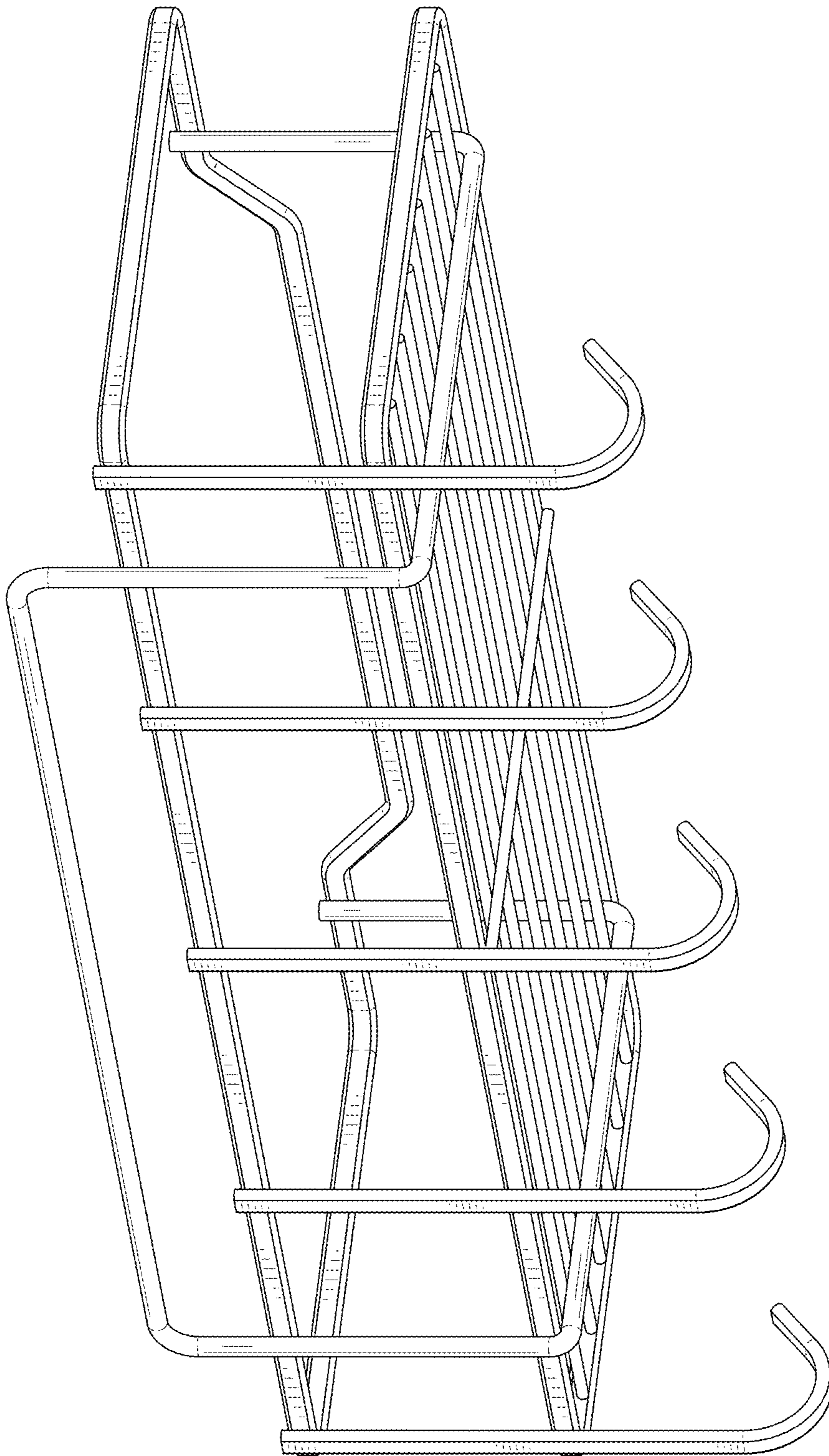


FIG. 2

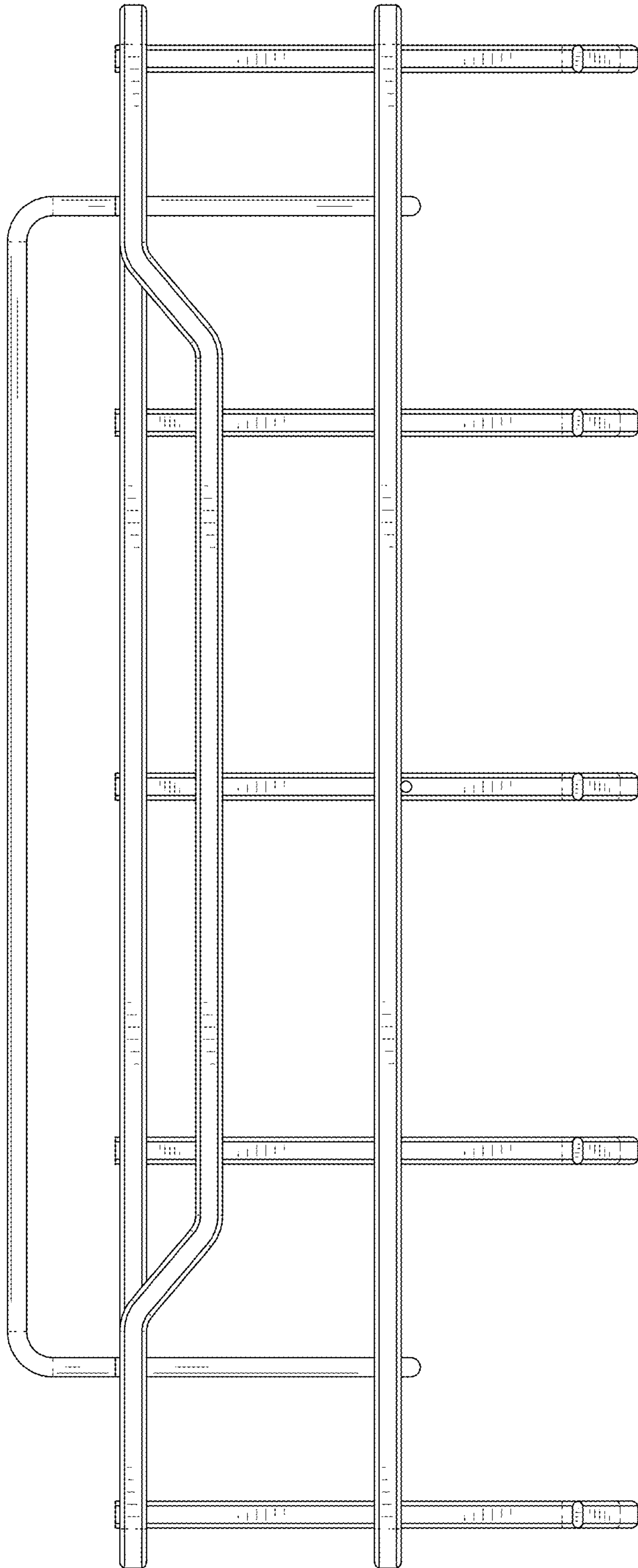


FIG. 3

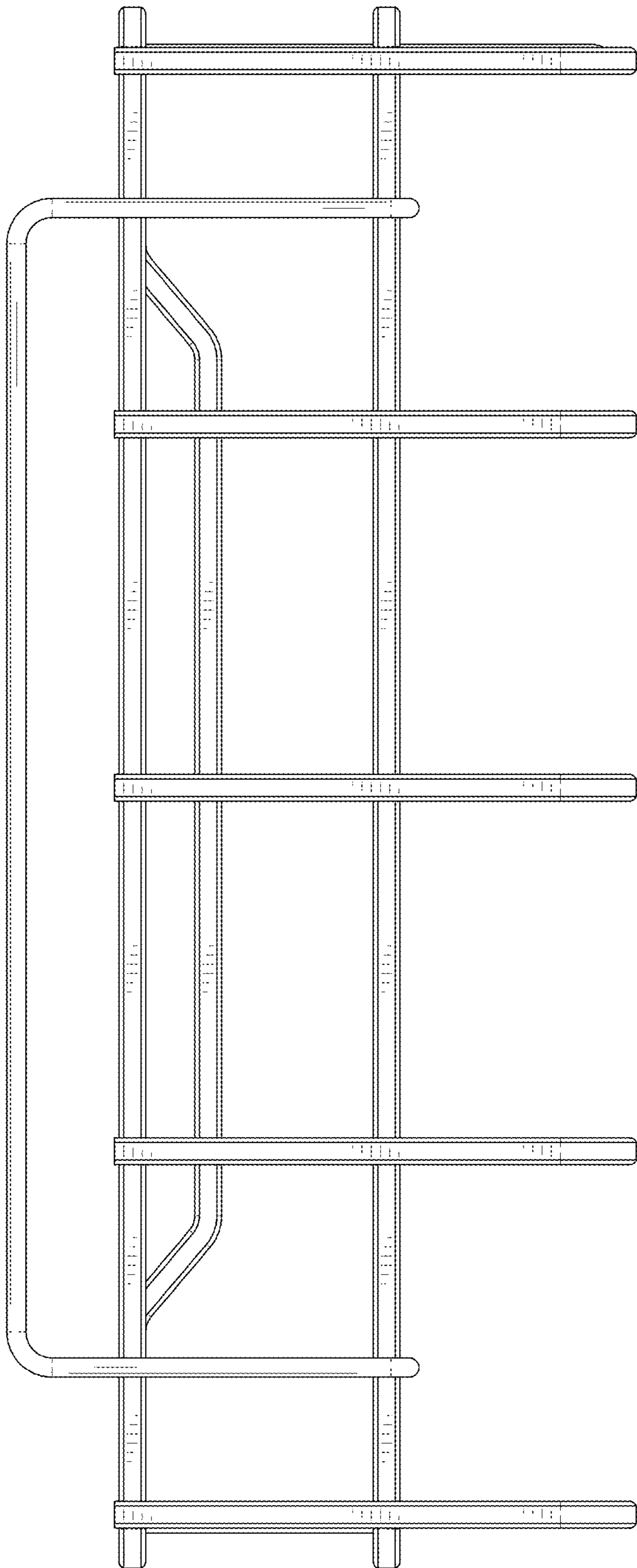


FIG. 4

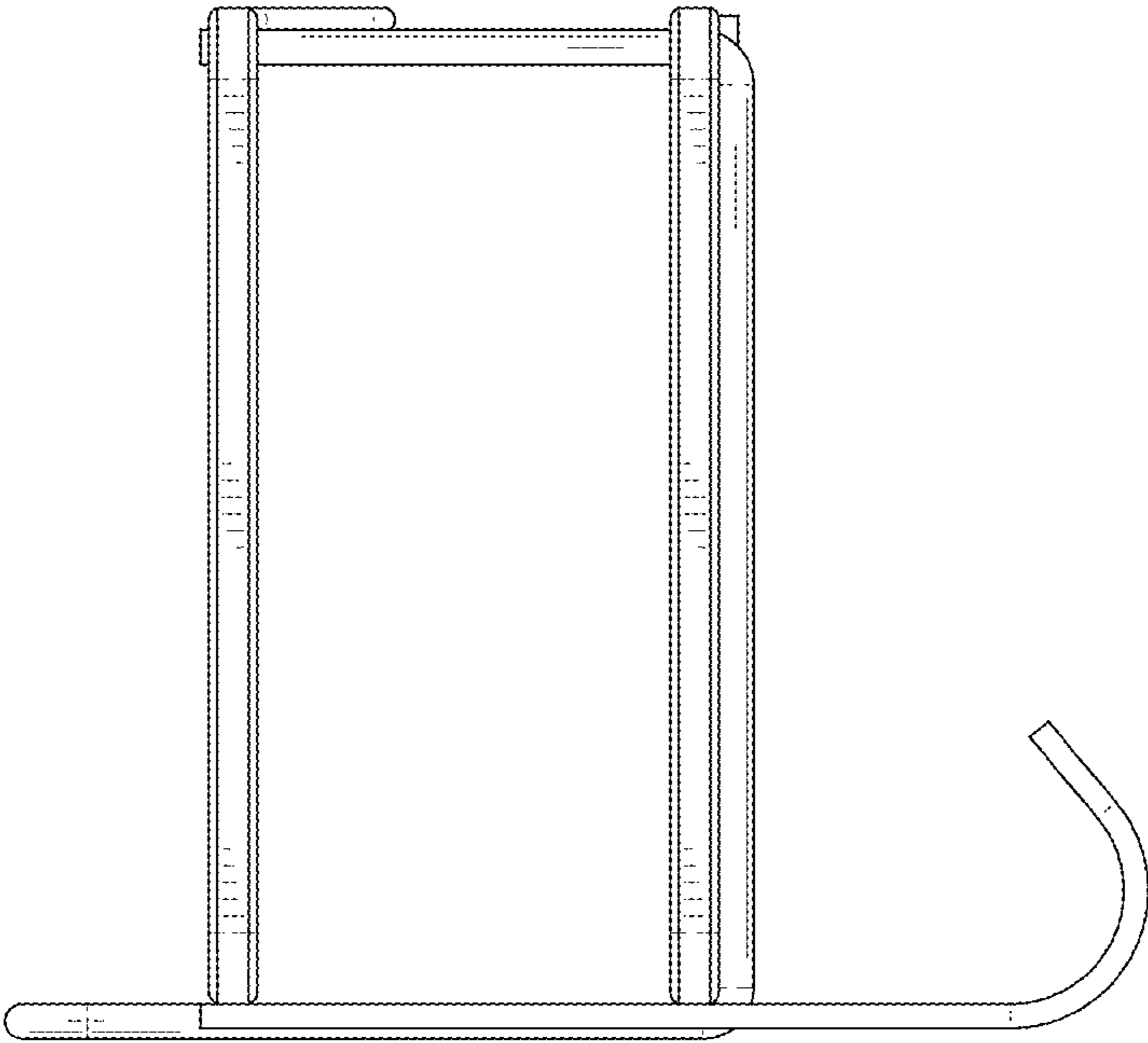


FIG. 5

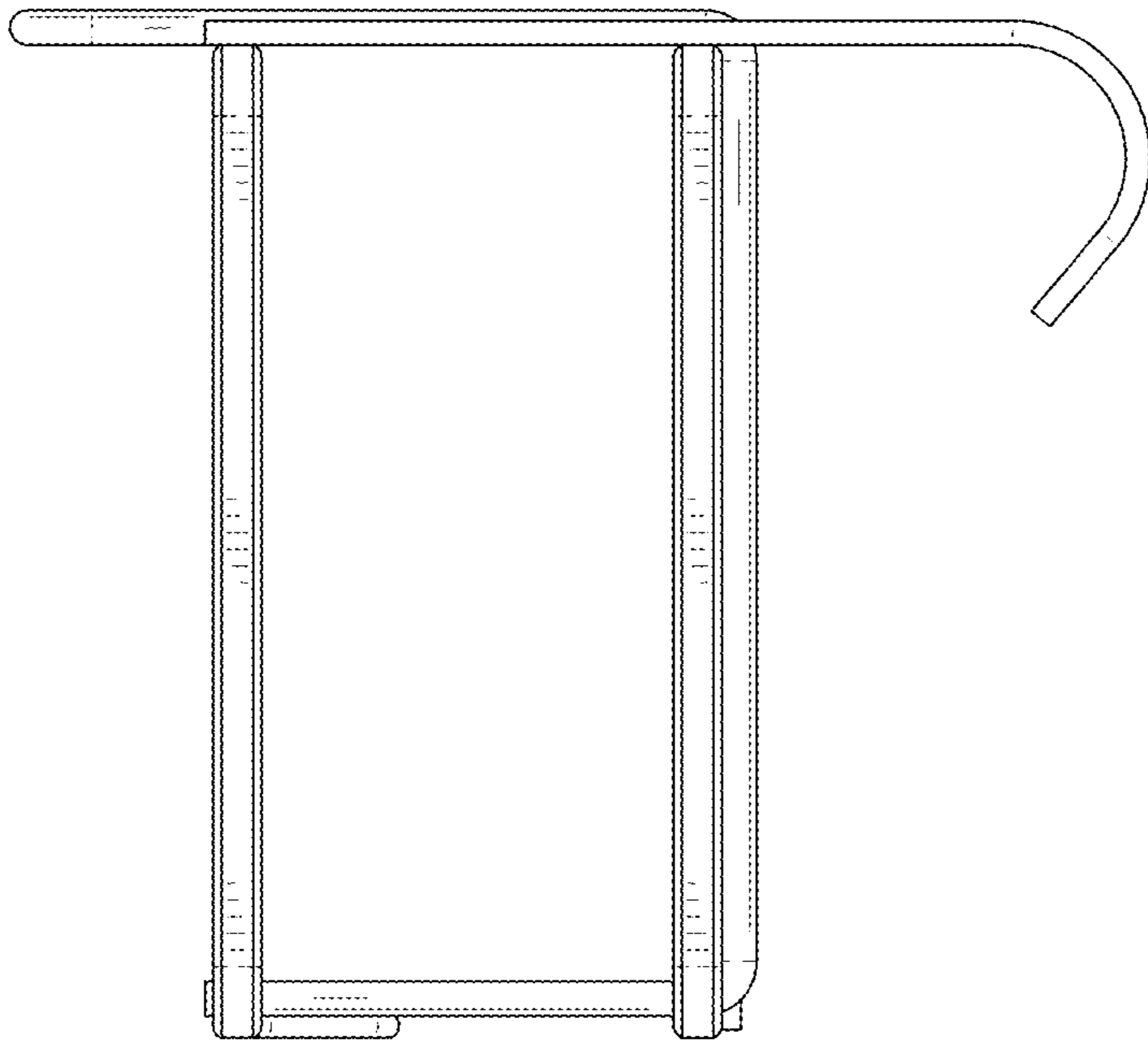


FIG. 6

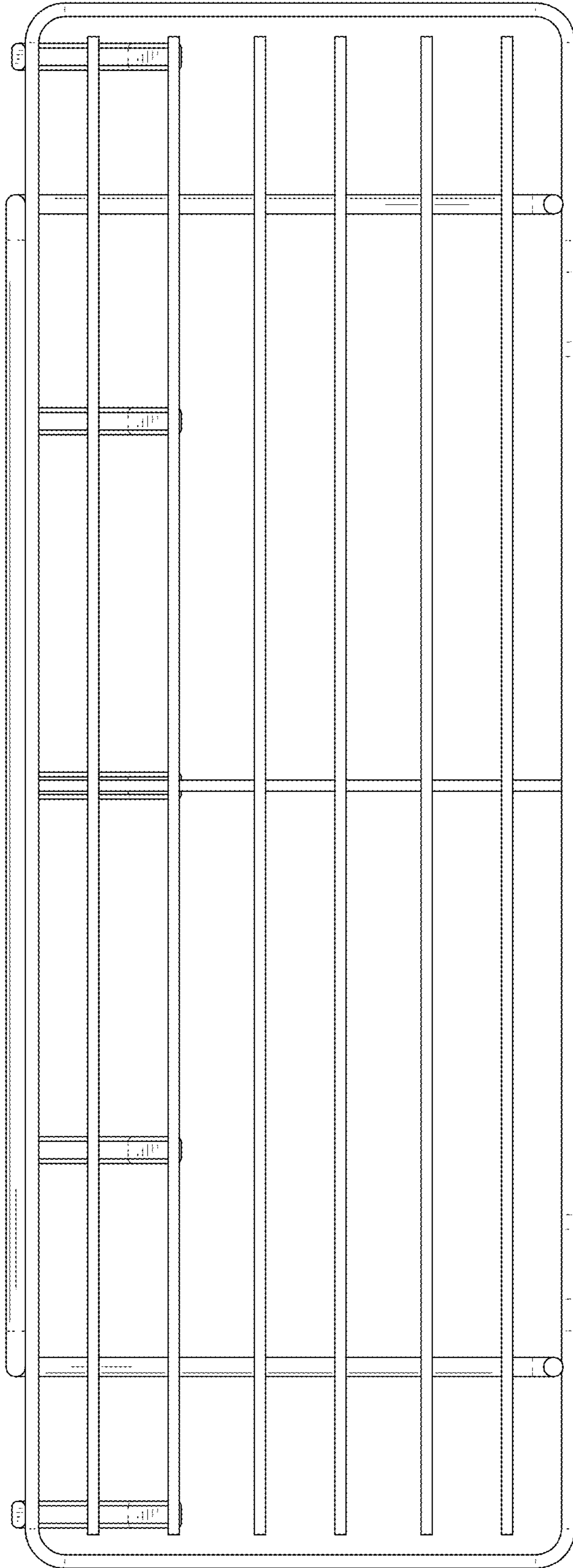


FIG. 7

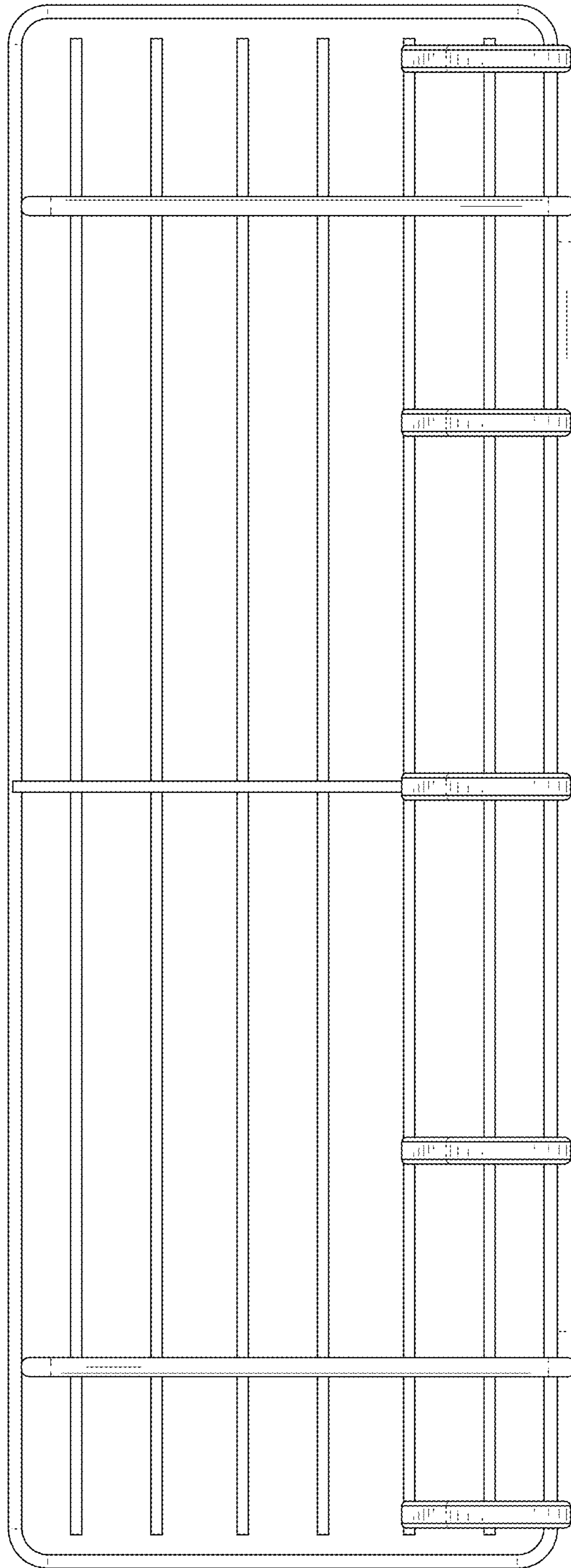


FIG. 8

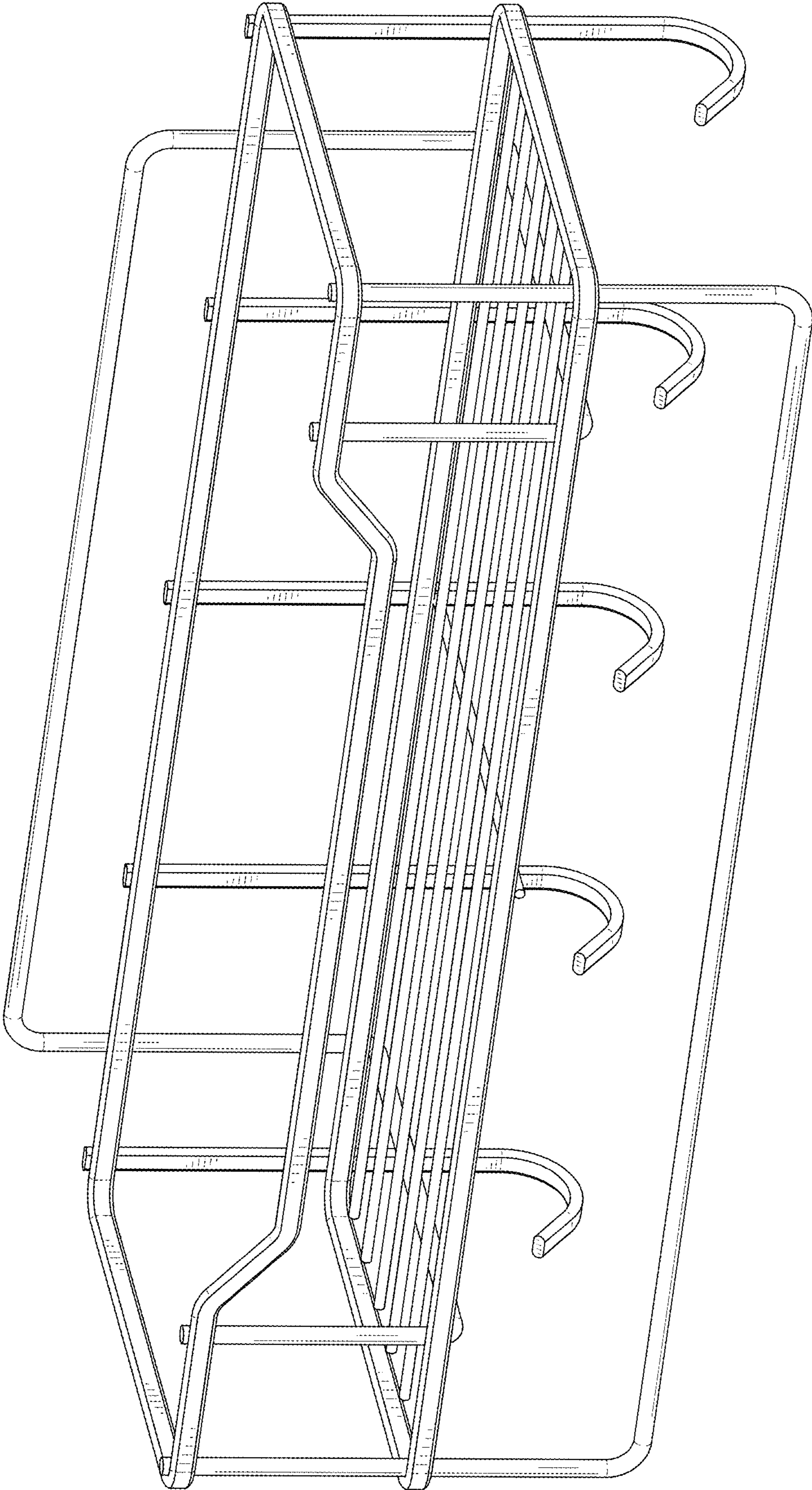


FIG. 9

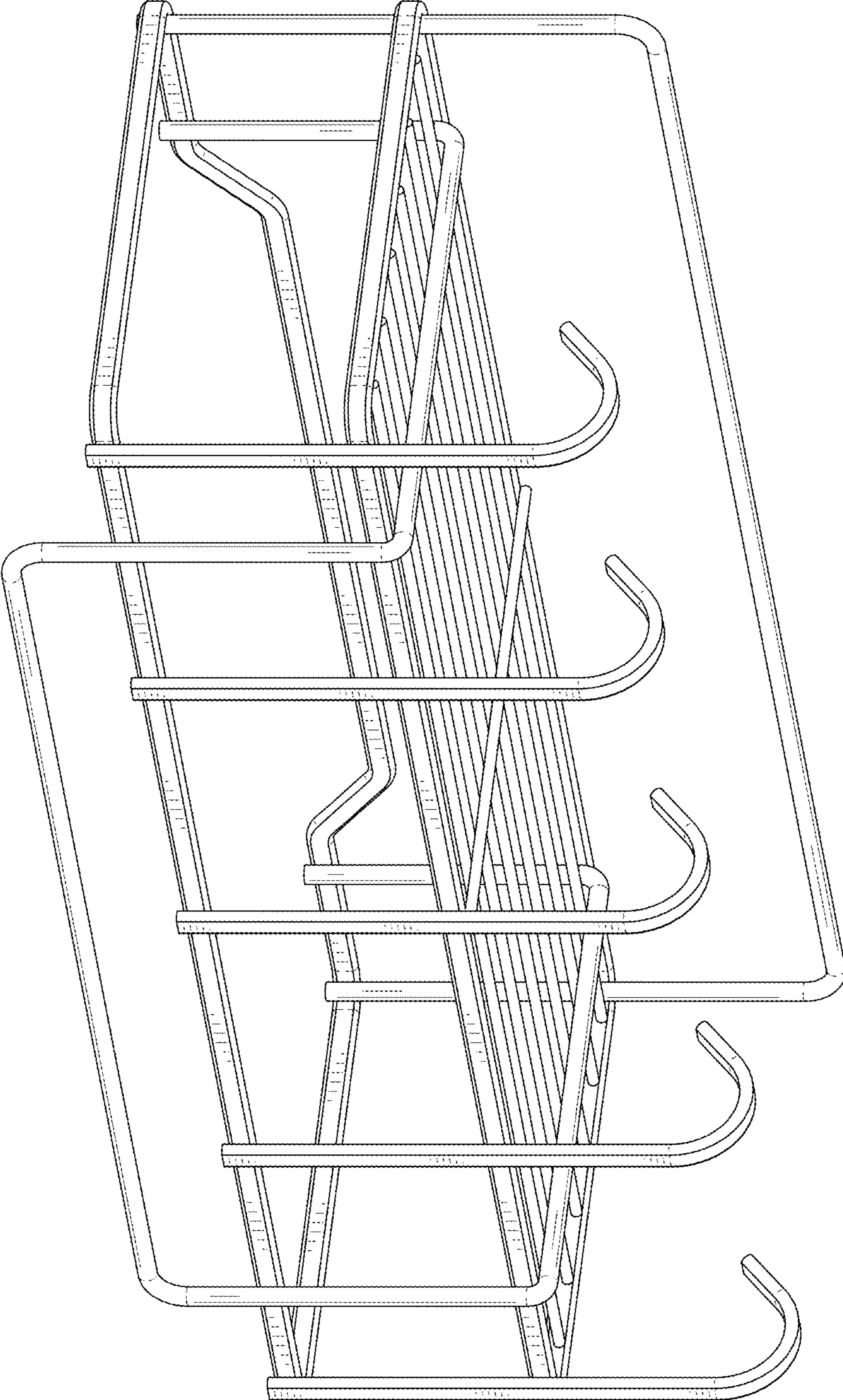


FIG. 10

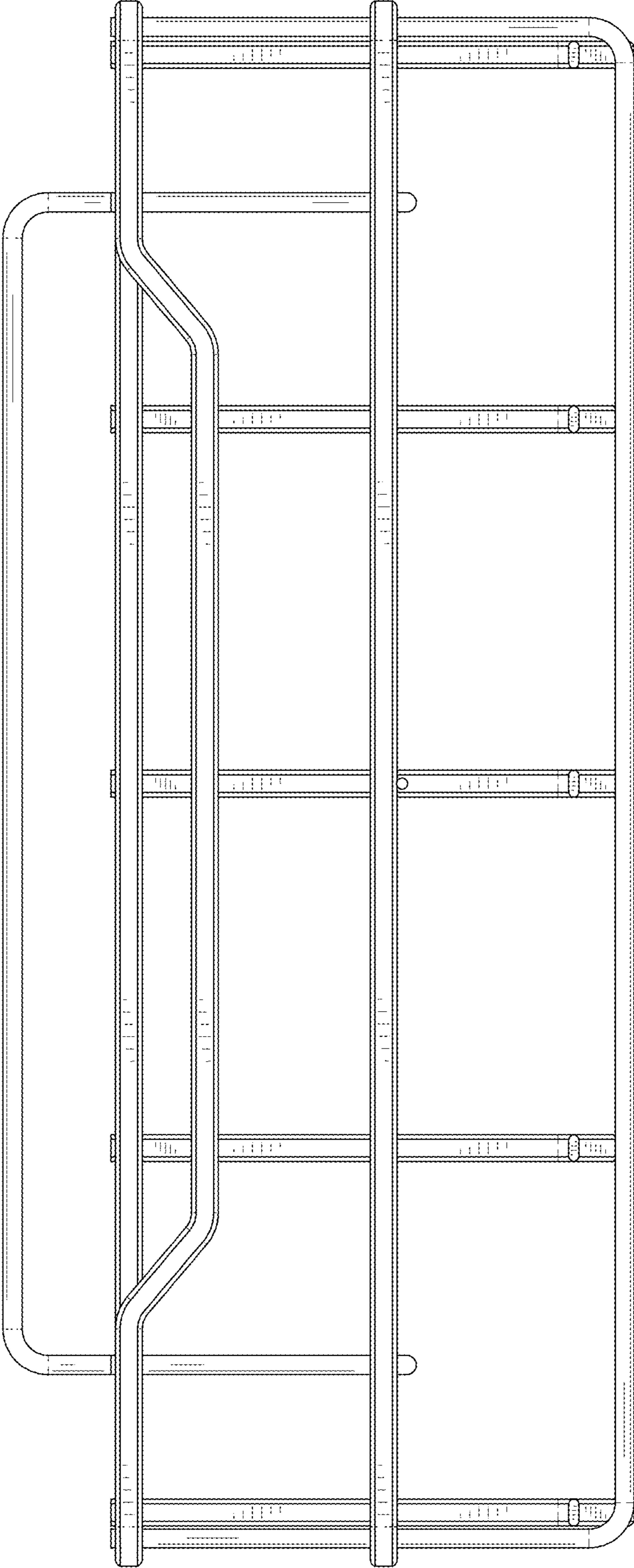


FIG. 11

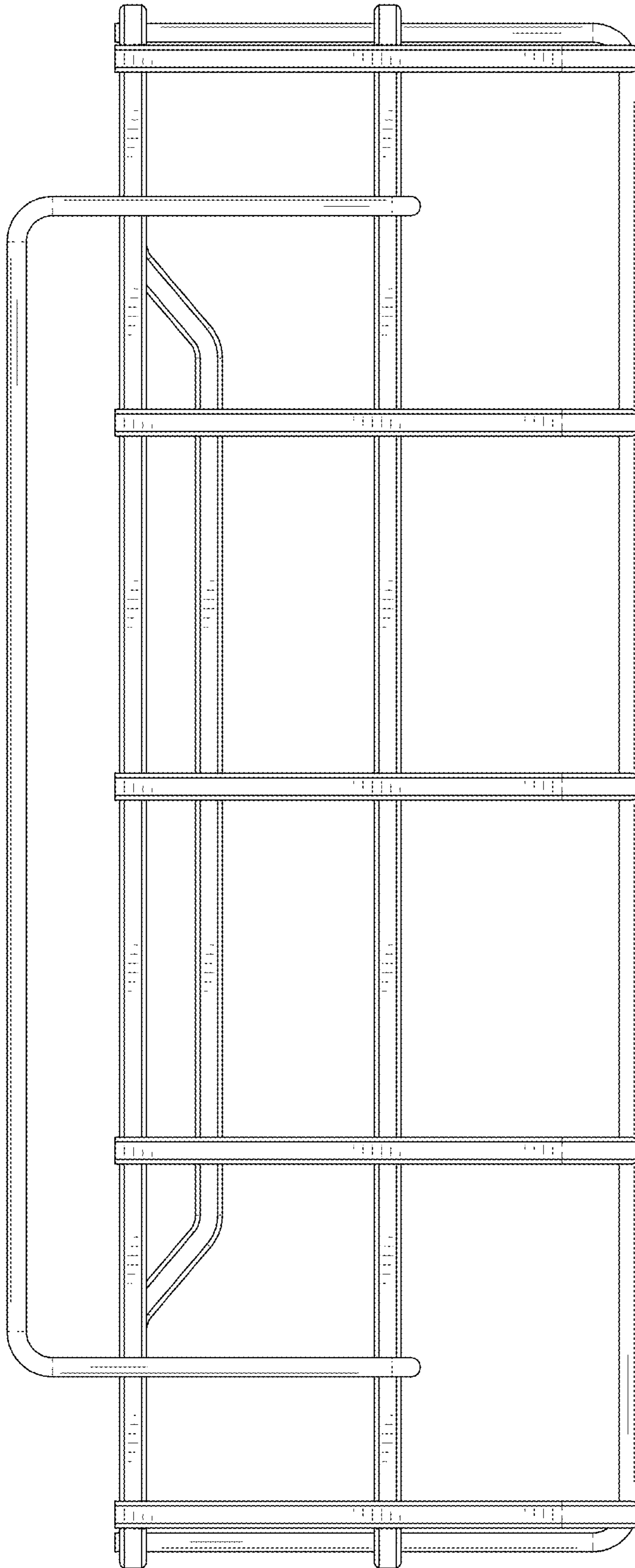


FIG. 12

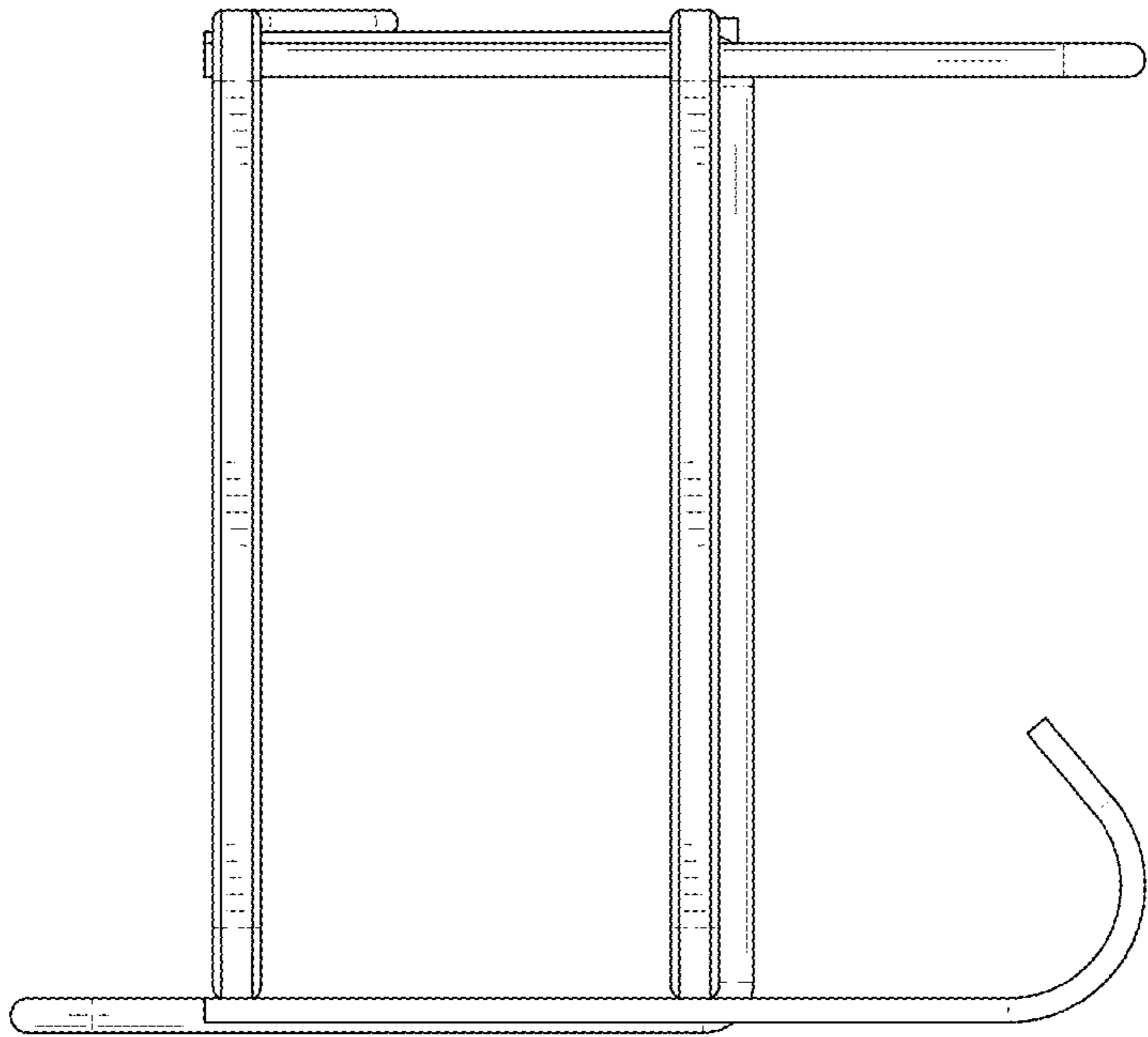


FIG. 13

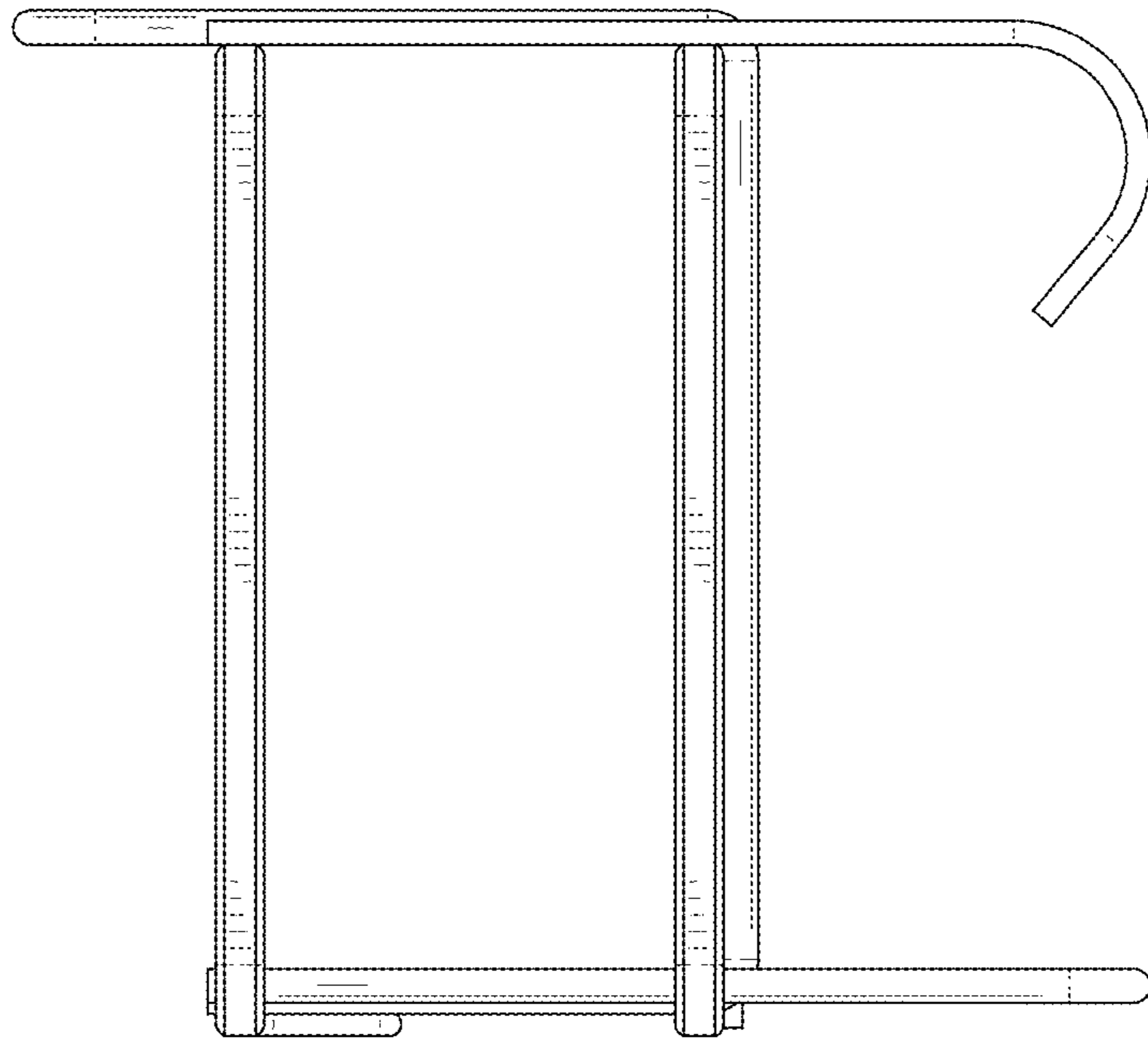


FIG. 14

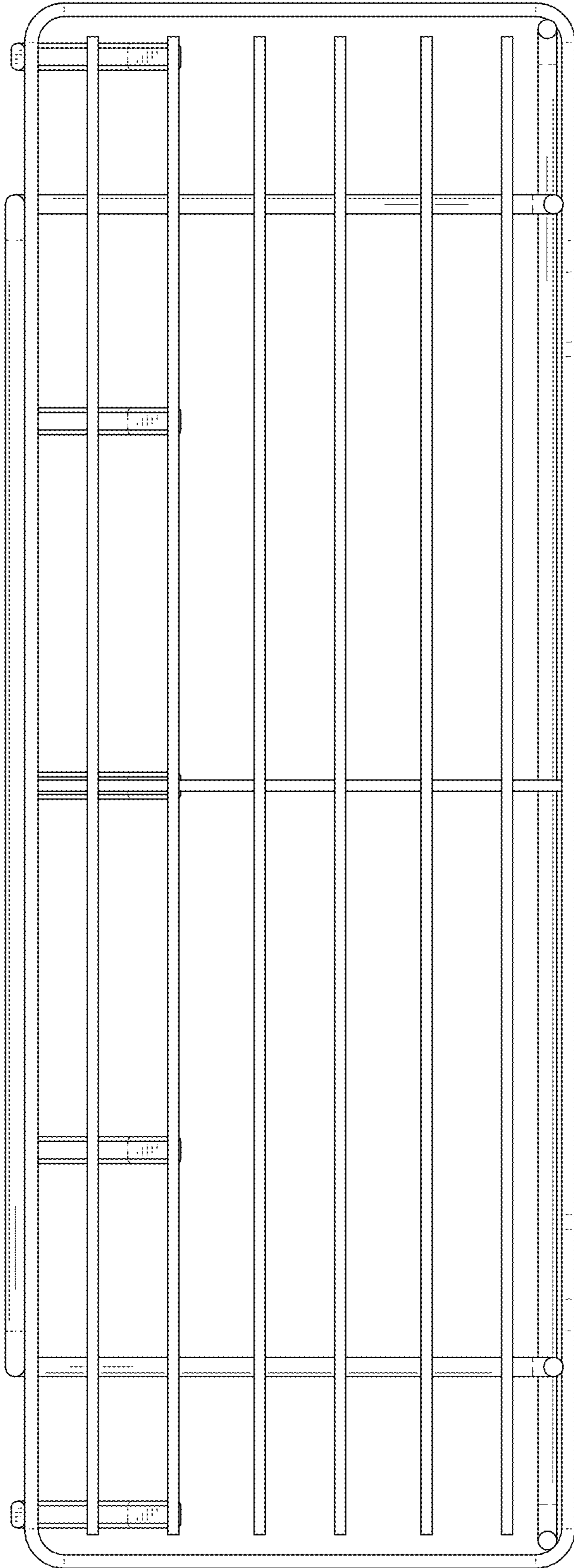


FIG. 15

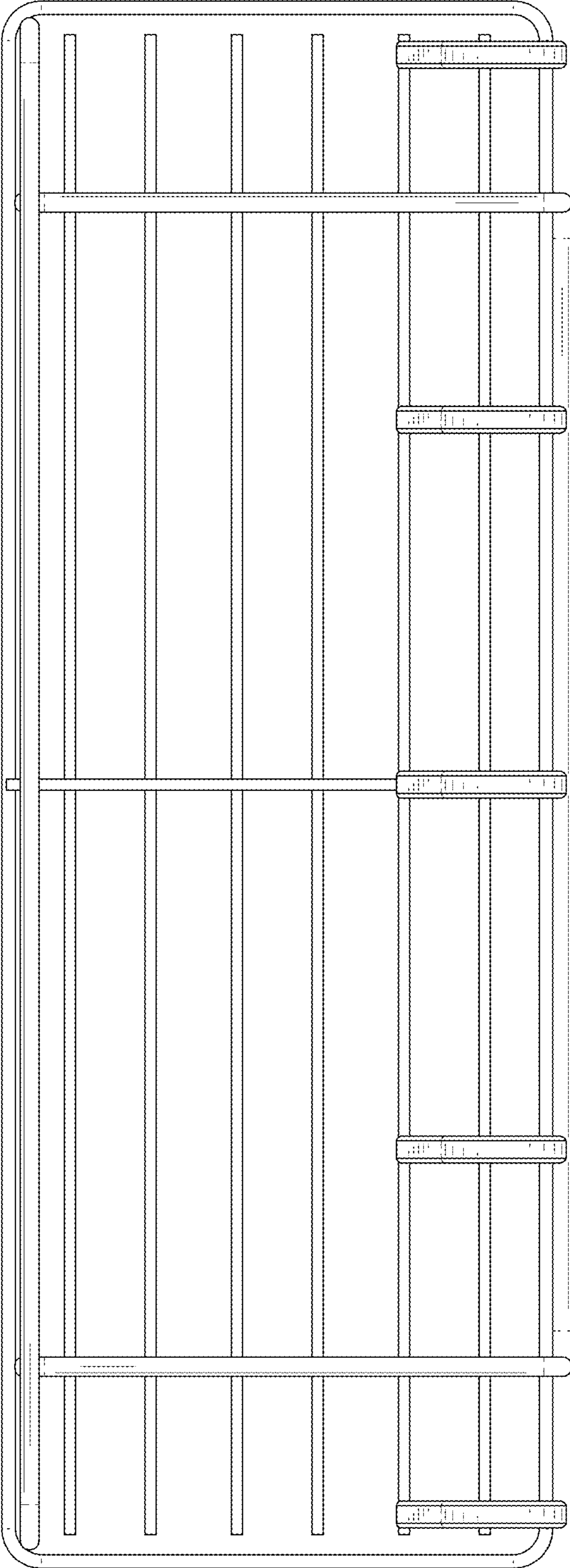


FIG. 16