



US00D964773S

(12) **United States Design Patent** (10) **Patent No.:** **US D964,773 S**
Lin (45) **Date of Patent:** **** Sep. 27, 2022**

(54) **FOLDABLE BATHTUB CADDY TRAY**

(71) Applicant: **FUJIAN BAMBOO LEADER CO., LTD**, Sanming (CN)
(72) Inventor: **Pei Xin Lin**, Sanming (CN)
(73) Assignee: **FUJIAN BAMBOO LEADER CO., LTD**, Sanming (CN)
(**) Term: **15 Years**

(21) Appl. No.: **29/785,460**
(22) Filed: **May 26, 2021**
(51) **LOC (13) Cl.** **23-02**
(52) **U.S. Cl.**
USPC **D6/525**
(58) **Field of Classification Search**
USPC D6/525, 406.1–406.6, 421, 524; D3/304, D3/309, 315; D7/552.1, 552.2, 554.1, D7/554.2, 554.3, 554.4, 550.1, 566; D12/133; D19/90, 91; D23/303, 304
CPC A47K 3/004; A47K 3/001; A47K 3/122; A47B 23/00; A63H 33/3038
See application file for complete search history.

(56) **References Cited**

U.S. PATENT DOCUMENTS

3,239,850 A * 3/1966 Kiss A47K 3/004
D6/406.4
D246,403 S * 11/1977 Tempchin D6/525
D725,755 S * 3/2015 Jones
D734,839 S * 7/2015 Jones
D855,347 S * 8/2019 Mizrahi D6/406.3
D929,766 S * 9/2021 Huang D6/525
D937,605 S * 12/2021 Su D6/525

OTHER PUBLICATIONS

Casavala Store,Bathtub Caddy Tray . . . —Jan. 31, 2022,https://www.amazon.com/Bathtub-Caddy-Tray-Expandable-Accessories/dp/B09QPF3N2/ref=cm_cr_arp_d_product_top?ie=UTF8,2 pages, retrieved May 31, 2022 (Year: 2022).*

* cited by examiner

Primary Examiner — Mary Shannon Malley
Assistant Examiner — Mark Booker

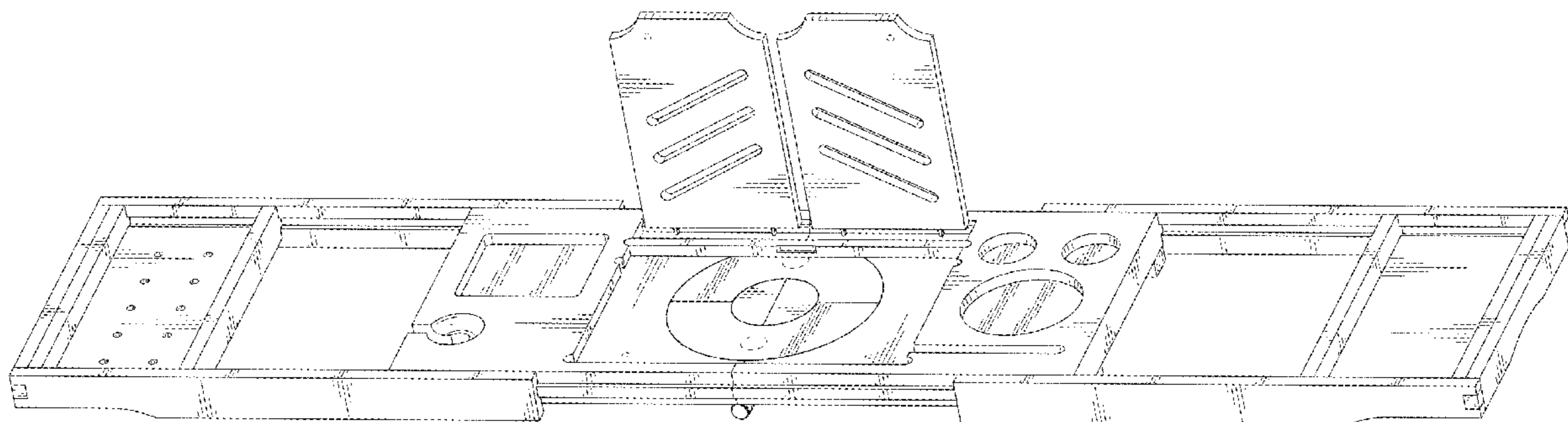
(57) **CLAIM**

The ornamental design for a foldable bathtub caddy tray, as shown and described.

DESCRIPTION

FIG. 1 is a perspective view of a foldable bathtub caddy tray showing my new design;
FIG. 2 is another perspective view thereof;
FIG. 3 is a front elevational view thereof;
FIG. 4 is a rear elevational view thereof;
FIG. 5 is a left side elevational view thereof;
FIG. 6 is a right side elevational view thereof;
FIG. 7 is a top plan view thereof;
FIG. 8 is a bottom plan view thereof;
FIG. 9 is an exploded perspective view of the foldable bathtub caddy tray where a main body is in a folded state; and,
FIG. 10 is an enlarged view of portion 10 shown in FIG. 2. The broken lines in the drawings depict portions of the foldable bathtub caddy tray that form no part of the claimed design. The long dash short dash lines in FIGS. 2 and 10 represent the bounds of the enlargement taken from FIG. 2 and form no part of the claimed design.

1 Claim, 10 Drawing Sheets



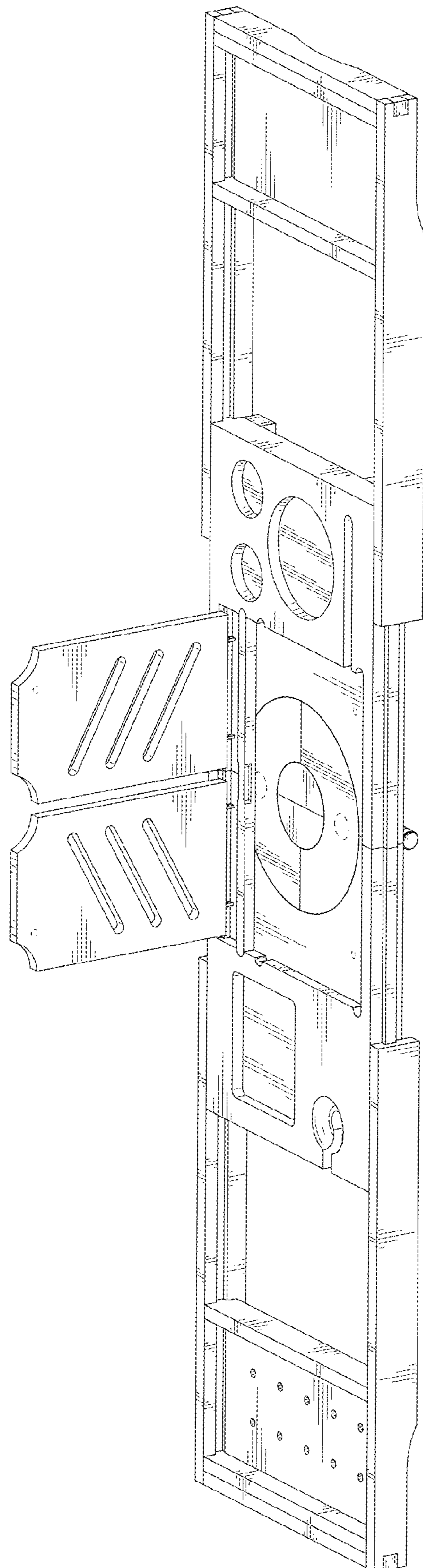


FIG. 1

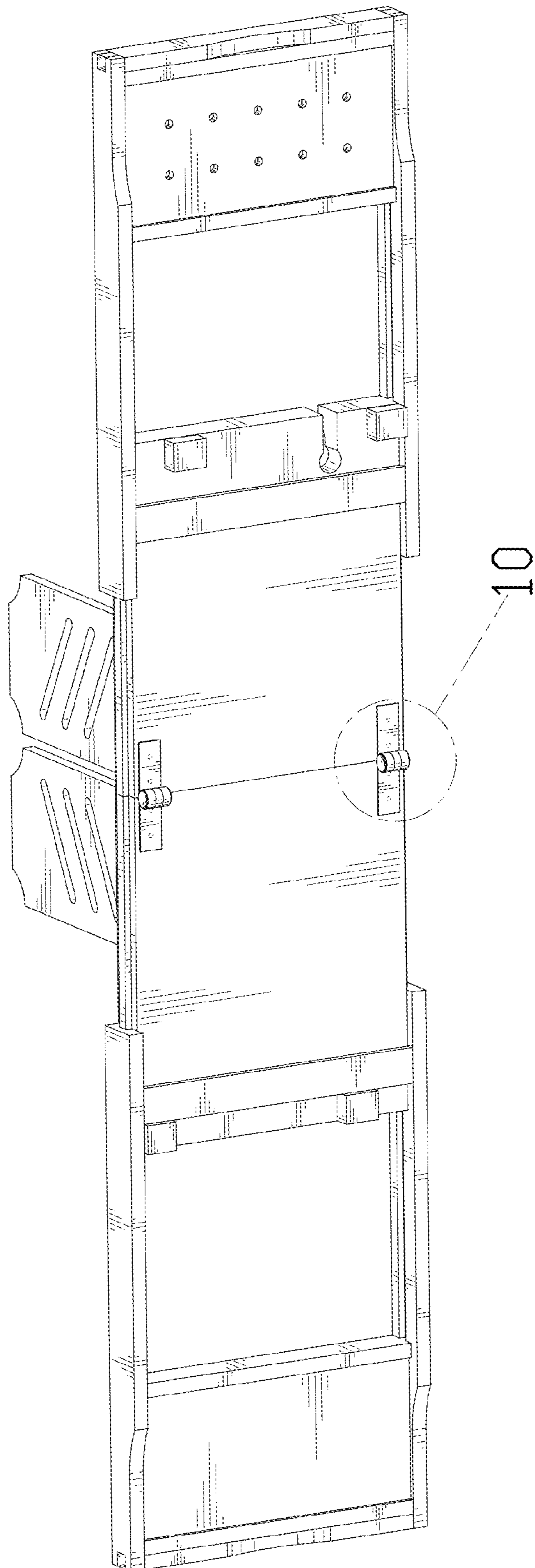


FIG. 2

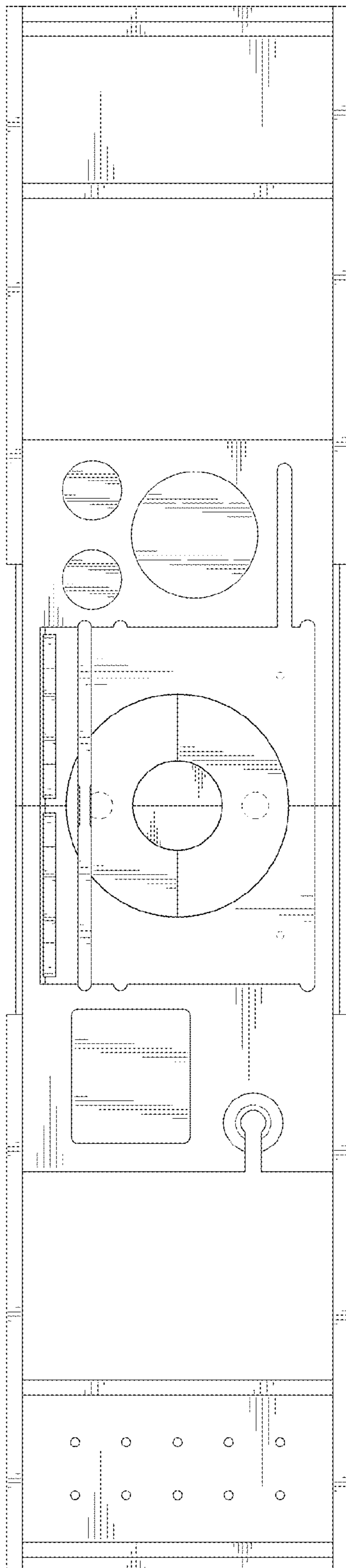


FIG. 3

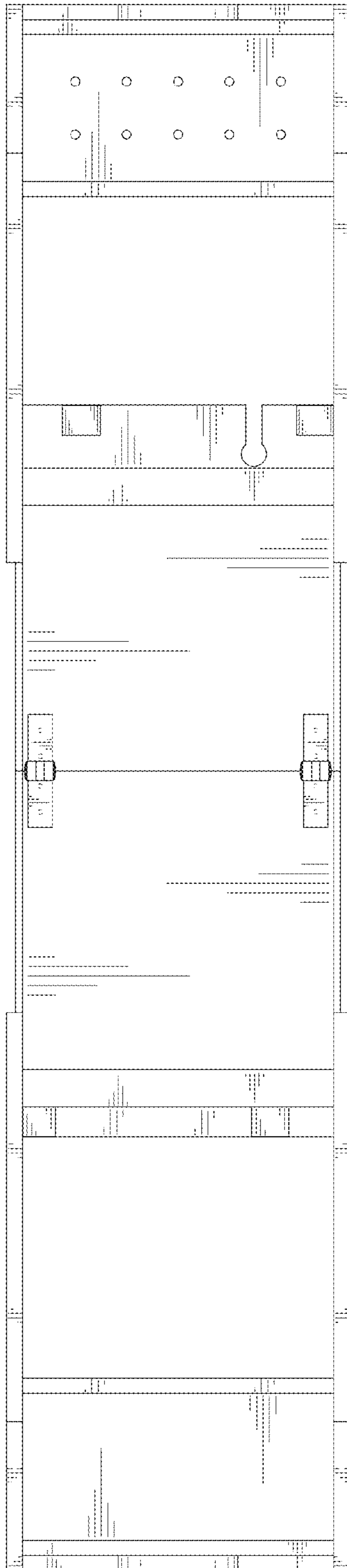


FIG. 4

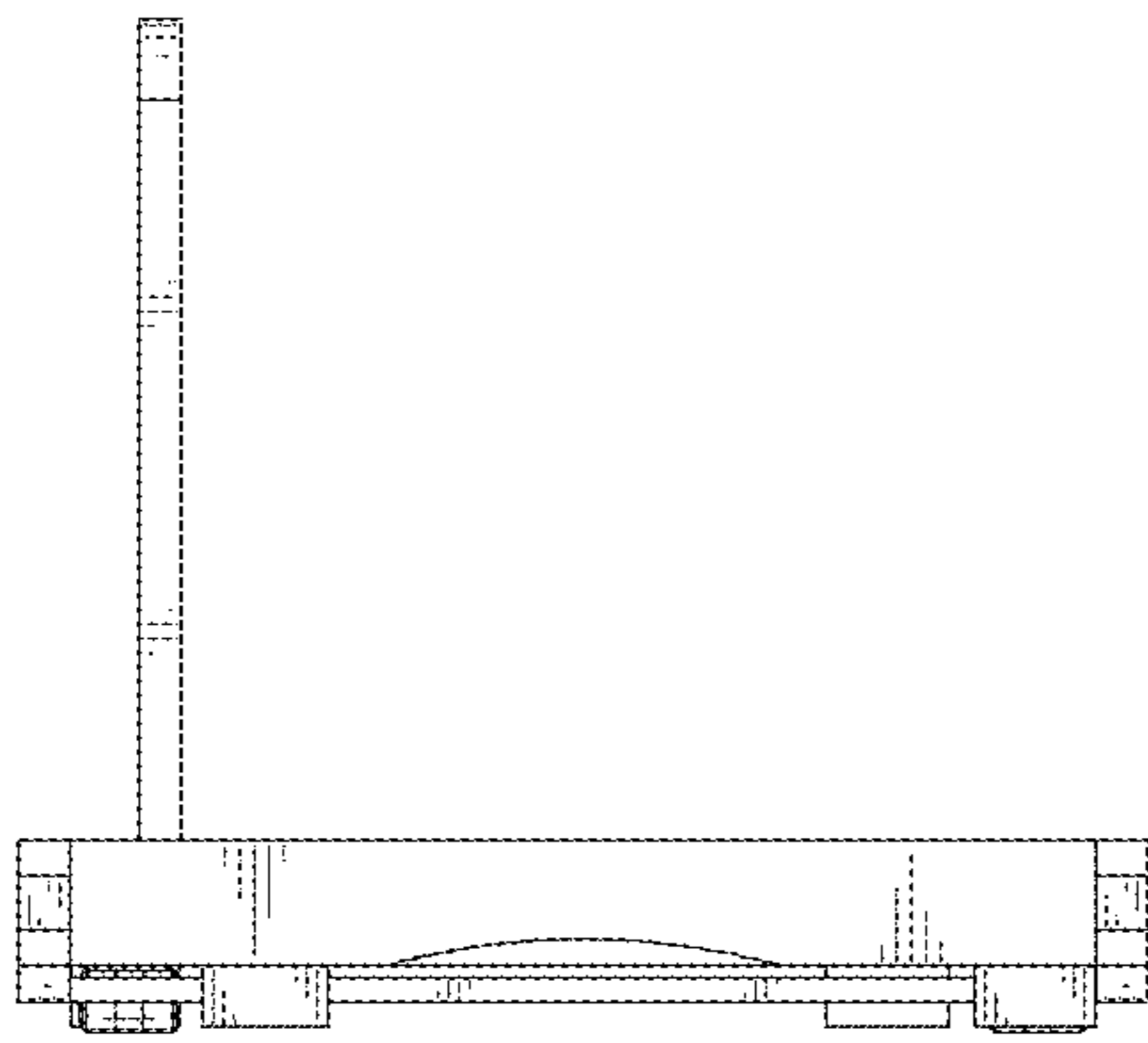


FIG. 5

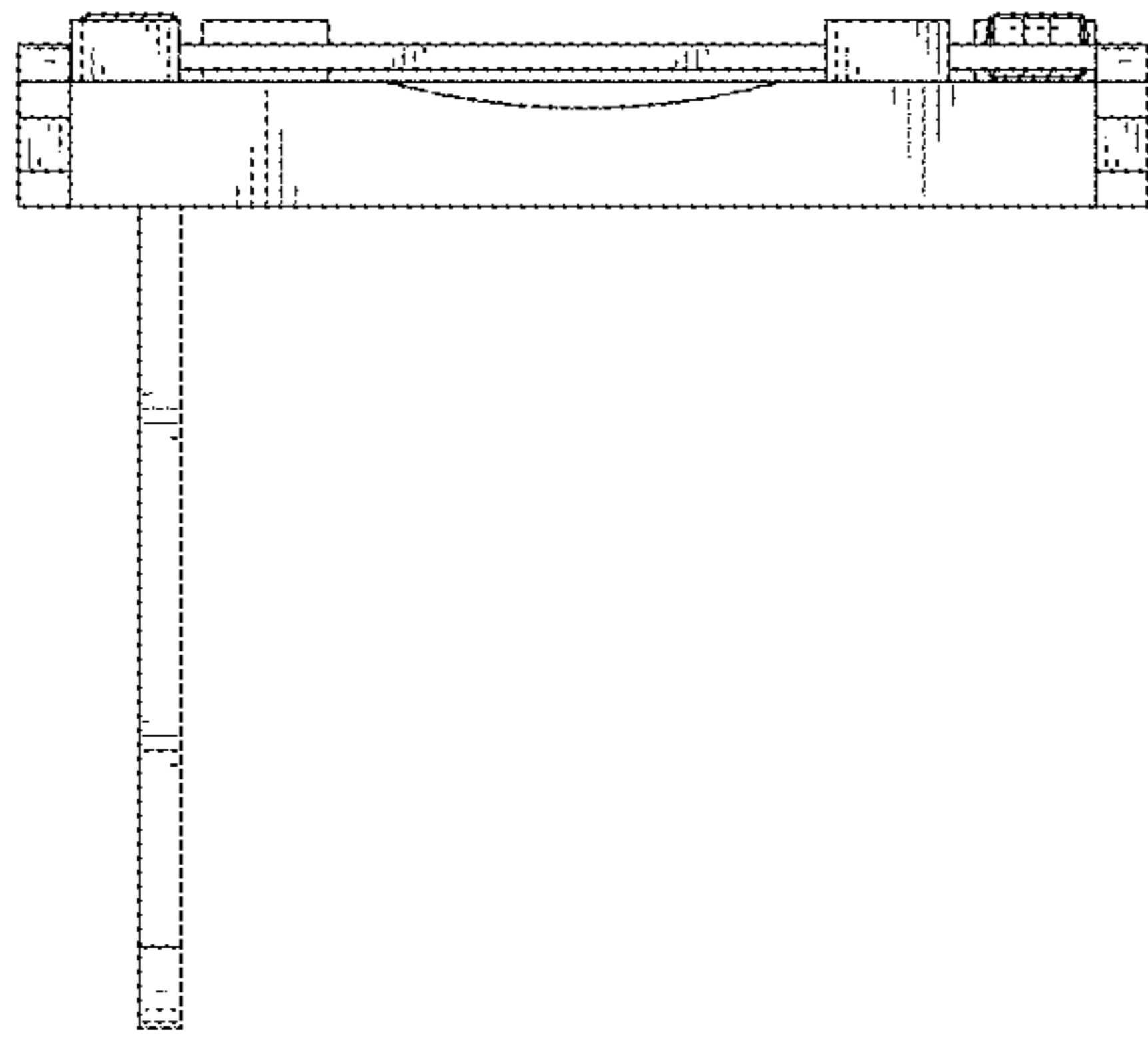


FIG. 6

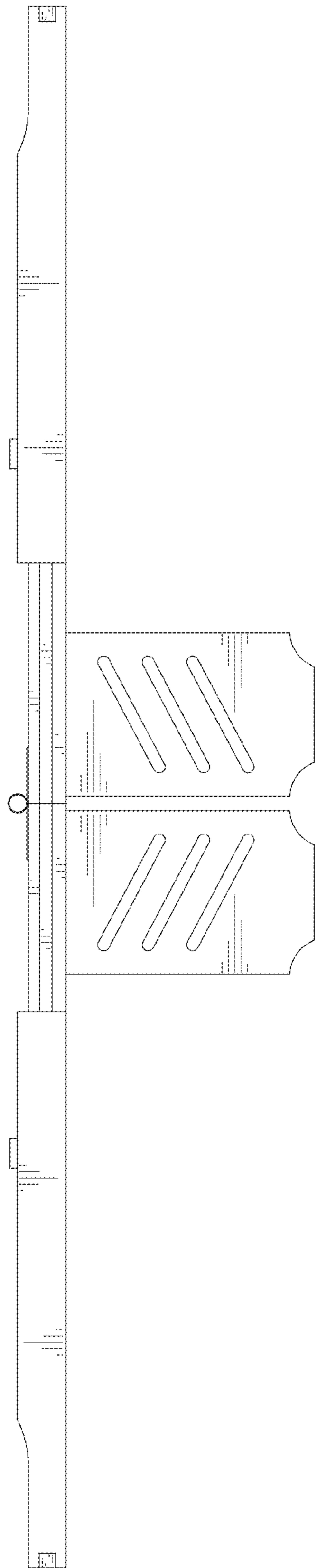


FIG. 7

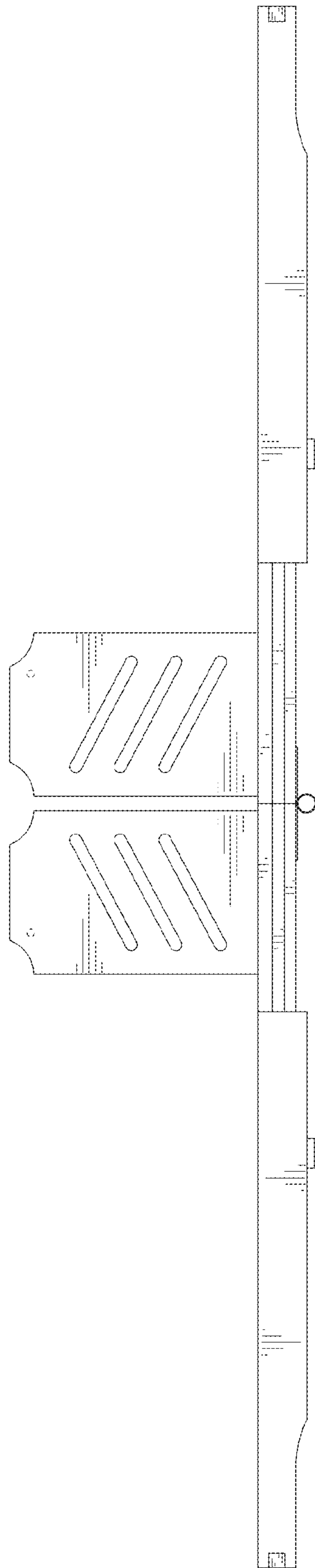


FIG. 8

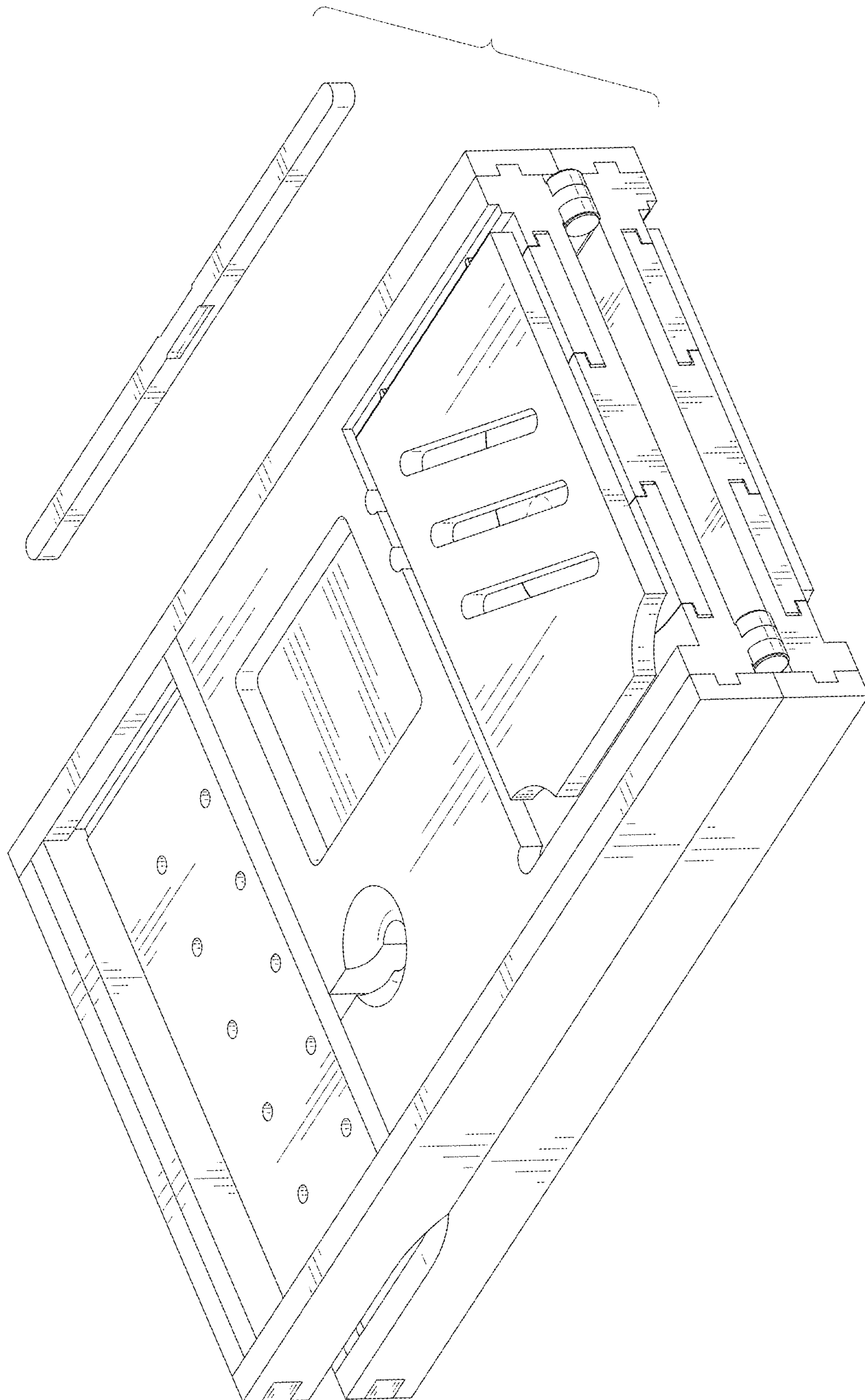


FIG. 9

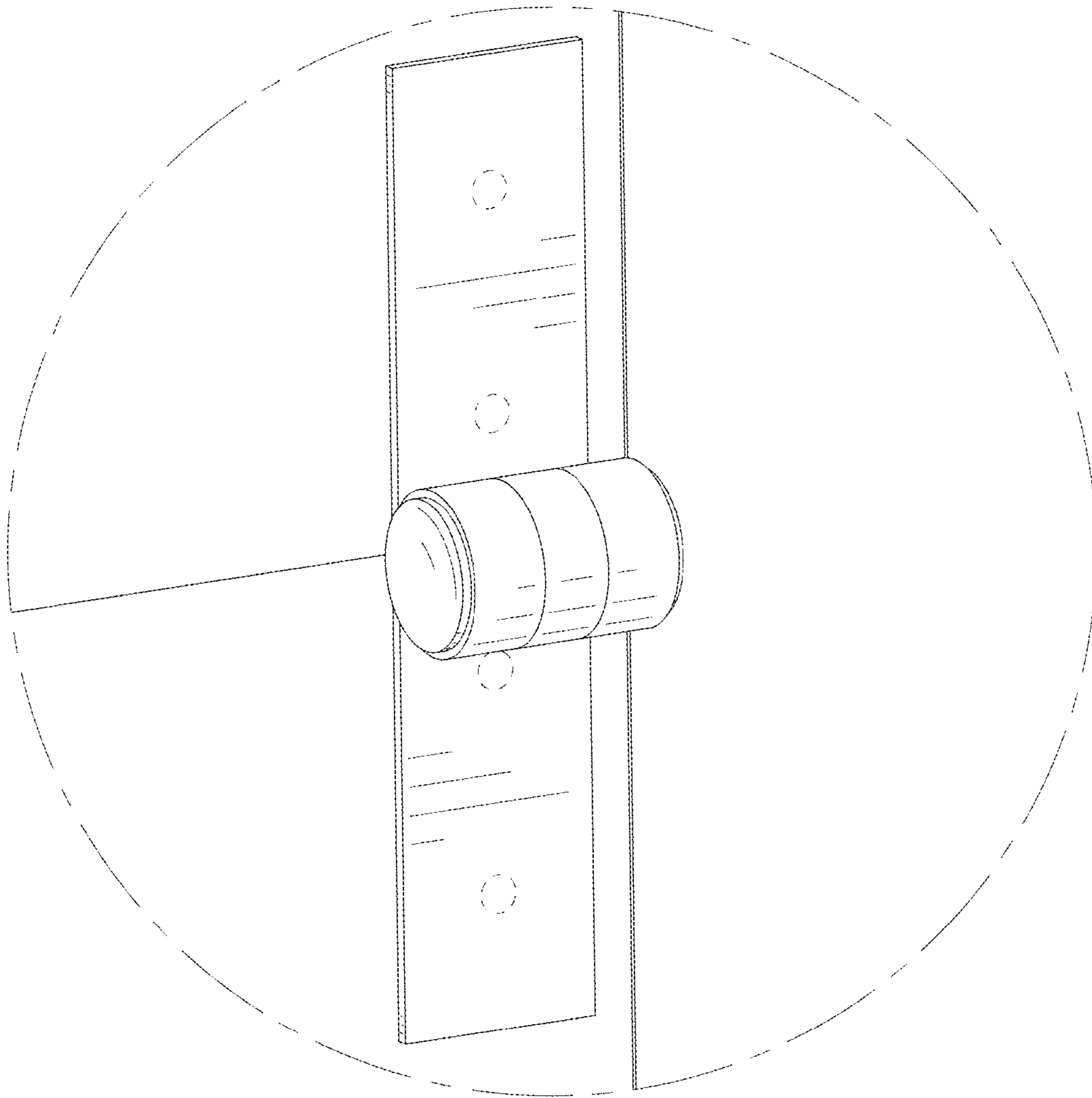


FIG. 10