

US00D964771S

(12) **United States Design Patent** (10) **Patent No.:** **US D964,771 S**
Huang (45) **Date of Patent:** **** Sep. 27, 2022**

- (54) **PAPER TOWEL HOLDER**
- (71) Applicant: **Guangdong Oubang Trading Co., Ltd.**, Guangdong (CN)
- (72) Inventor: **Lian Huang**, Guangdong (CN)
- (73) Assignee: **Guangdong Oubang Trading Co., Ltd.**, Guangdong (CN)
- (**) Term: **15 Years**
- (21) Appl. No.: **29/817,948**
- (22) Filed: **Dec. 6, 2021**
- (51) **LOC (13) Cl.** **06-04**
- (52) **U.S. Cl.**
USPC **D6/521**
- (58) **Field of Classification Search**
USPC D6/518-522; 248/309.1, 309.2;
211/13.1, 45.59, 89.01; 206/389, 391;
242/590, 597.7
CPC A47K 10/04; A47K 10/10; A47K 10/3836;
A47K 2010/324; A47K 2010/389; B08B
1/006
See application file for complete search history.

D771,969 S *	11/2016	Hsu	D6/521
D787,226 S *	5/2017	Goodman	D6/521
D794,977 S *	8/2017	Goodman	D6/521
D819,360 S *	6/2018	Goodman	D6/521
D821,779 S *	7/2018	Goodman	D6/521
D852,535 S *	7/2019	Goodman	D6/521
D878,076 S *	3/2020	Xayoiphonh	D6/521
D885,784 S *	6/2020	Dittrich	D6/521
D885,785 S *	6/2020	Wilson	D6/521
D885,786 S *	6/2020	Goodman	D6/521

(Continued)

OTHER PUBLICATIONS

Inventor's, Lian Huang, publication on Amazon dated Jun. 20, 2021. Please refer to https://www.amazon.com/dp/B09DKRMGLH?ref=myi_title_dp, the declaration, the Sales Authorization Certification, the license and its translation, and the Proof of Identity of Legal Representative.

Primary Examiner — Nathan M Johnston
(74) *Attorney, Agent, or Firm* — ScienBiziP, P.C.

(57) **CLAIM**

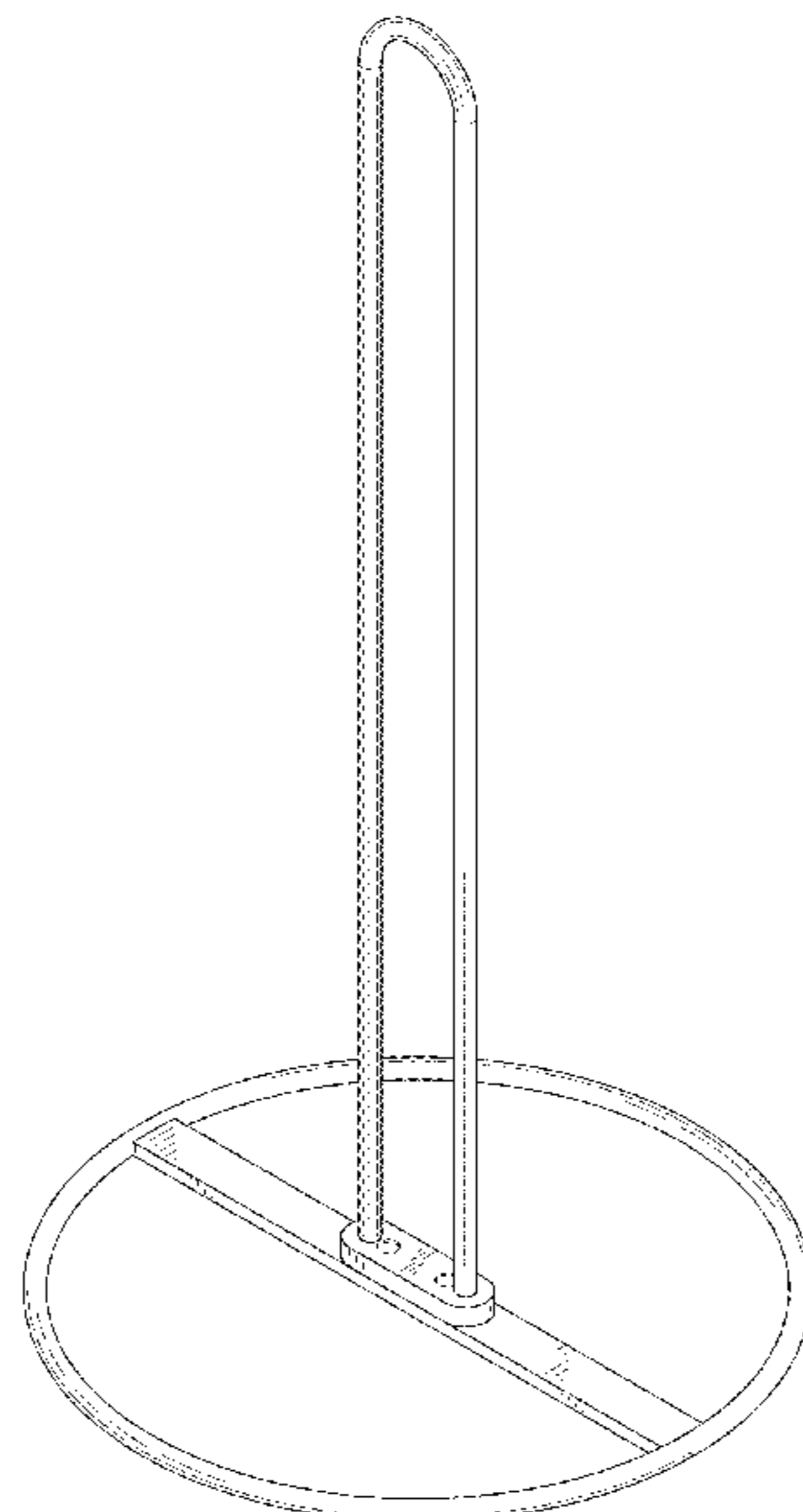
The ornamental design for a paper towel holder, as shown and described.

DESCRIPTION

FIG. 1 is a front, right and top perspective view of a paper towel holder, showing my design.
FIG. 2 is a rear, left and bottom perspective view thereof.
FIG. 3 is a front elevation view thereof.
FIG. 4 is a rear elevation view thereof.
FIG. 5 is a left side elevation view thereof.
FIG. 6 is a right side elevation view thereof.
FIG. 7 is a top plan view thereof; and,
FIG. 8 is a bottom plan view thereof.
The broken lines shown in the drawings are included for the purpose of illustrating portions of the paper towel holder that form no part of the claimed design.

1 Claim, 8 Drawing Sheets

- (56) **References Cited**
U.S. PATENT DOCUMENTS
- | | | | |
|--------------|---------|---------------|--------|
| D390,054 S * | 2/1998 | Goodman | D6/521 |
| D412,803 S * | 8/1999 | Goodman | D6/521 |
| D474,361 S * | 5/2003 | Ancona | D6/521 |
| D474,633 S * | 5/2003 | Ancona | D6/521 |
| D474,634 S * | 5/2003 | Ancona | D6/521 |
| D529,348 S * | 10/2006 | Goodman | D7/704 |
| D582,709 S * | 12/2008 | Goodman | D6/521 |
| D628,836 S * | 12/2010 | Guindi | D6/521 |
| D653,889 S * | 2/2012 | Guindi | D6/521 |
| D667,662 S * | 9/2012 | Goodman | D6/521 |
| D699,046 S * | 2/2014 | Goodman | D6/521 |
| D723,832 S * | 3/2015 | Goodman | D6/521 |
| D758,755 S * | 6/2016 | Goodman | D6/521 |



(56)

References Cited

U.S. PATENT DOCUMENTS

D923,959 S * 7/2021 Giorghie D6/520
D923,960 S 7/2021 Wilson
D932,208 S * 10/2021 Chen D6/521
2016/0174780 A1* 6/2016 Bowen A47K 10/3836
242/597.7

* cited by examiner

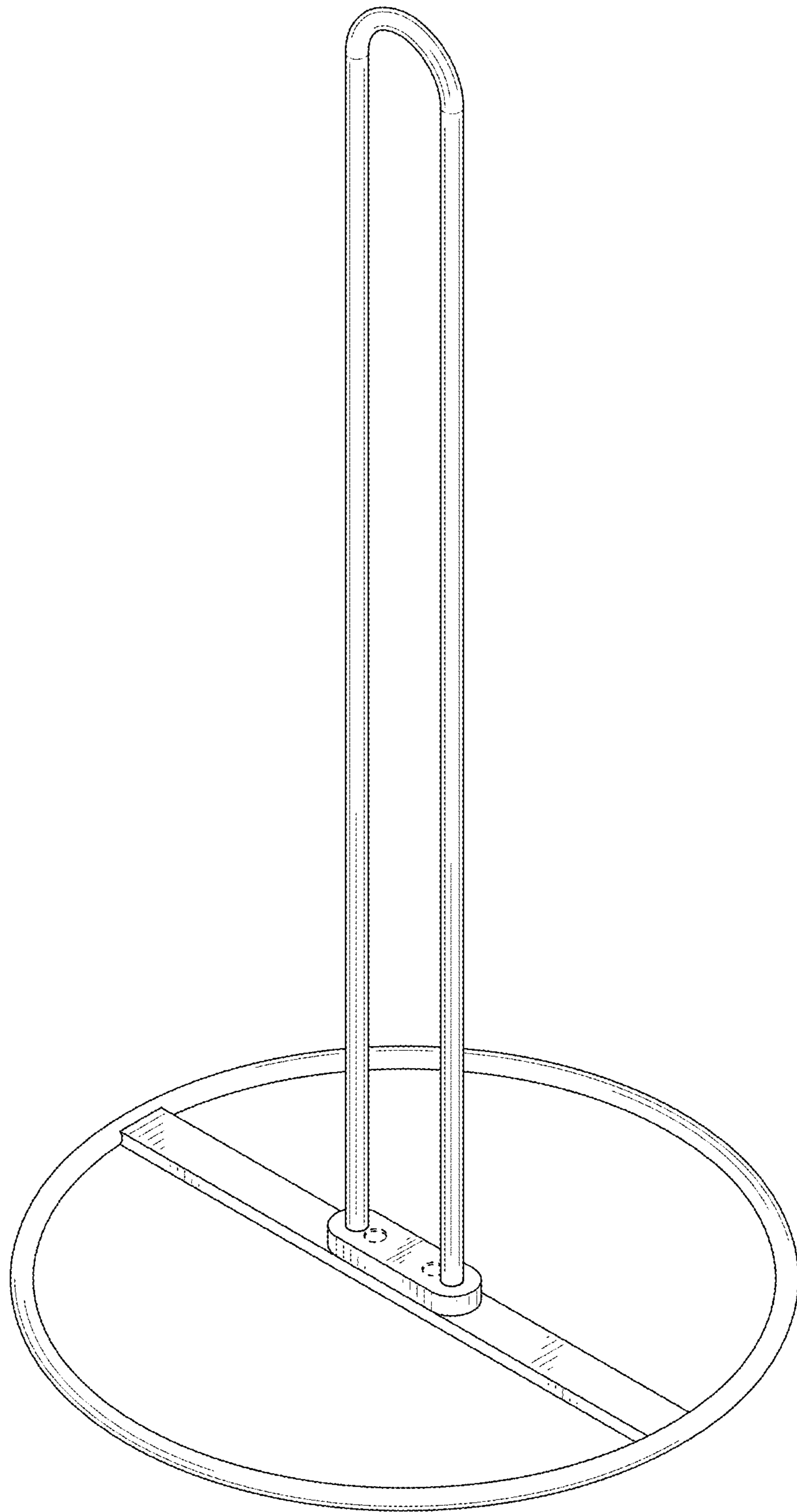


FIG. 1

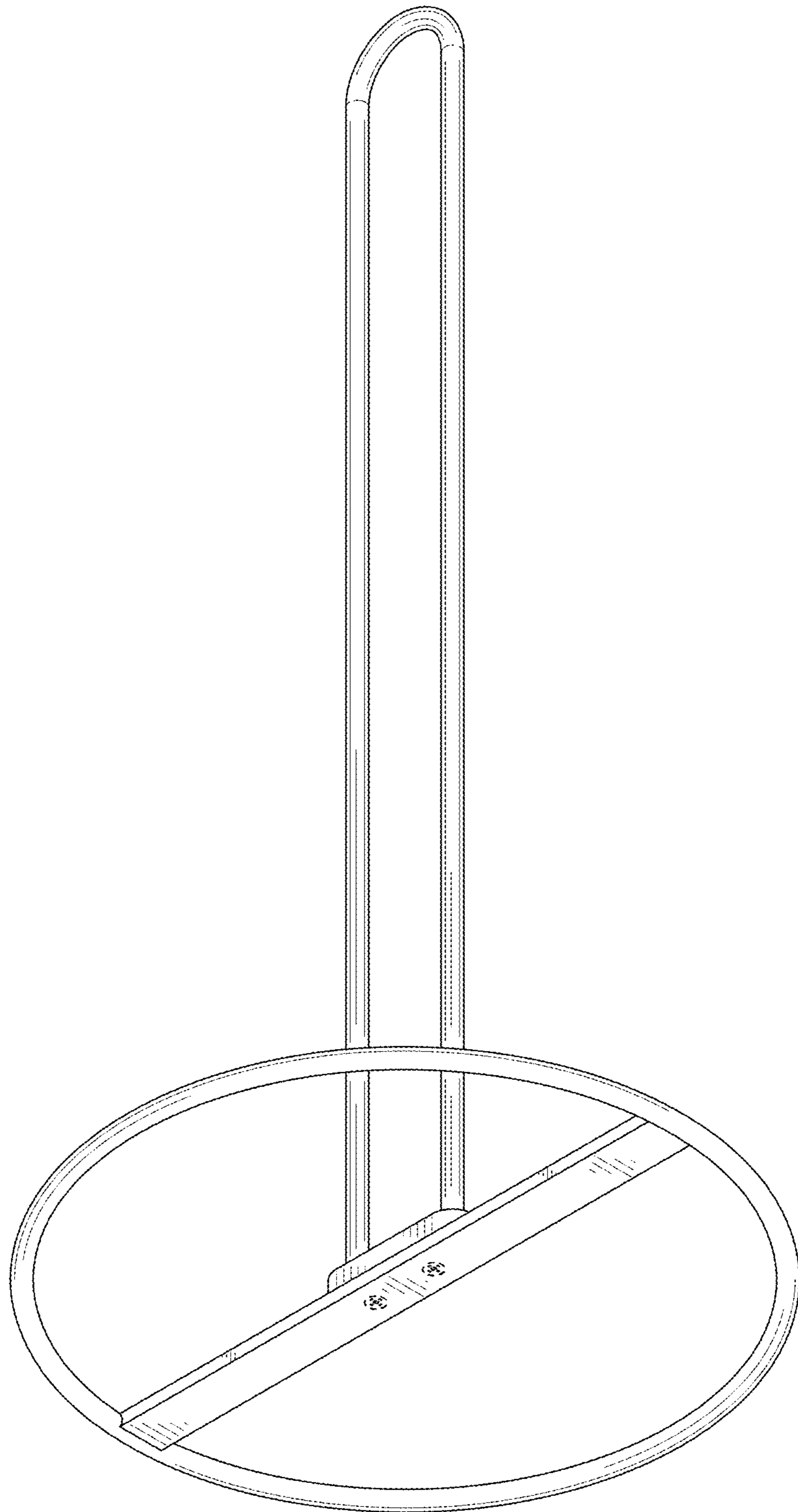


FIG. 2

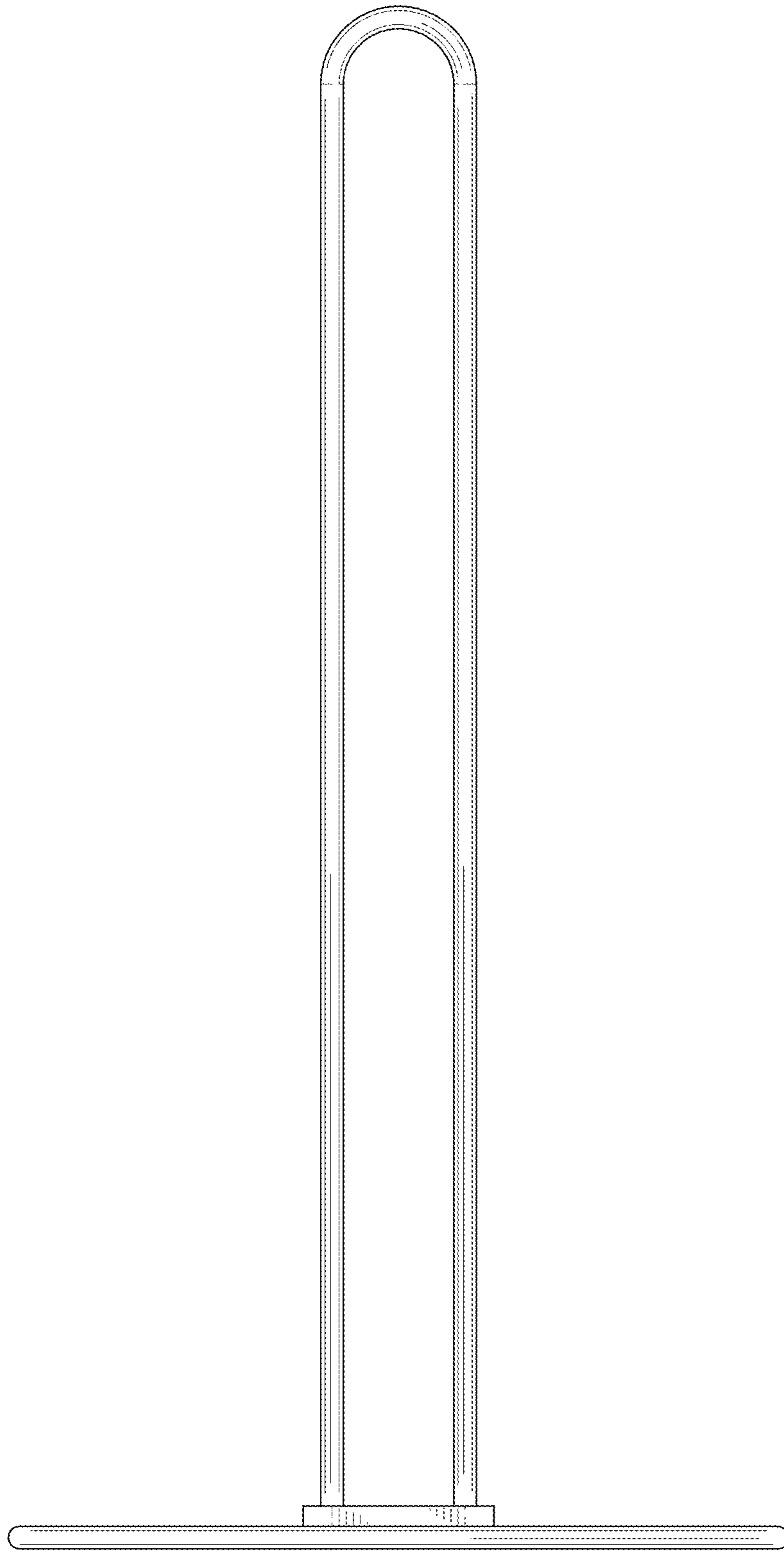


FIG. 3

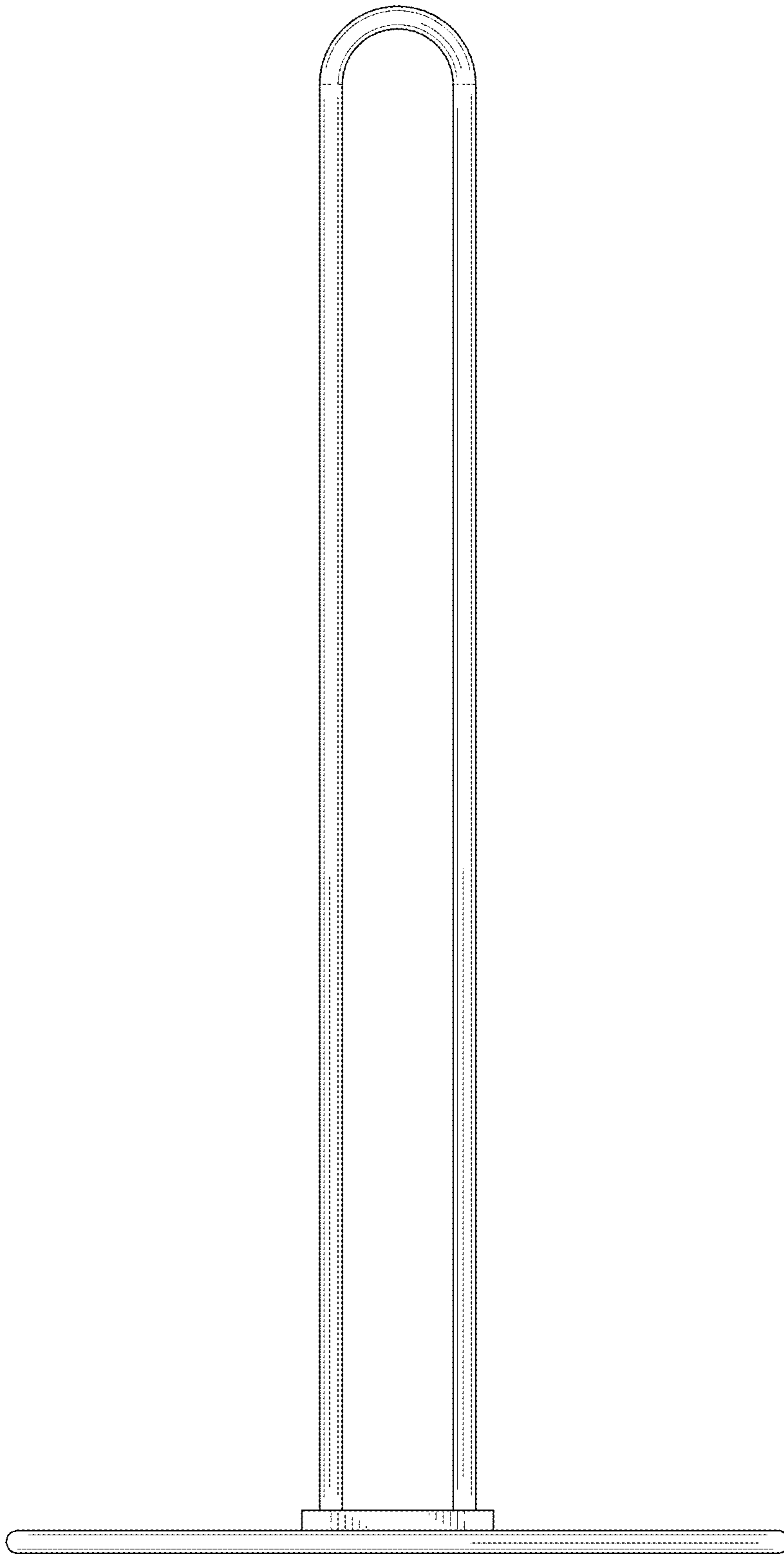


FIG. 4

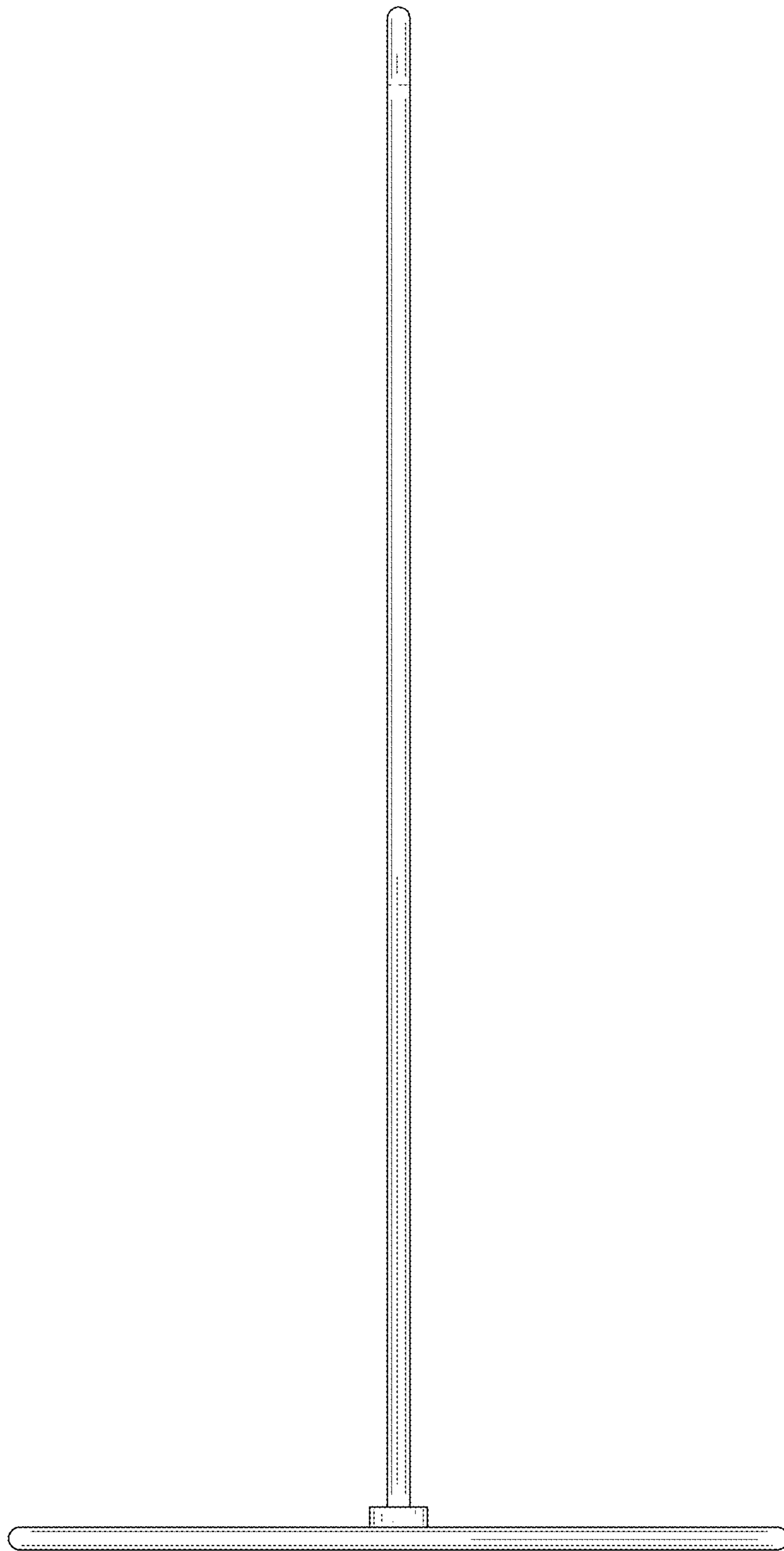


FIG. 5

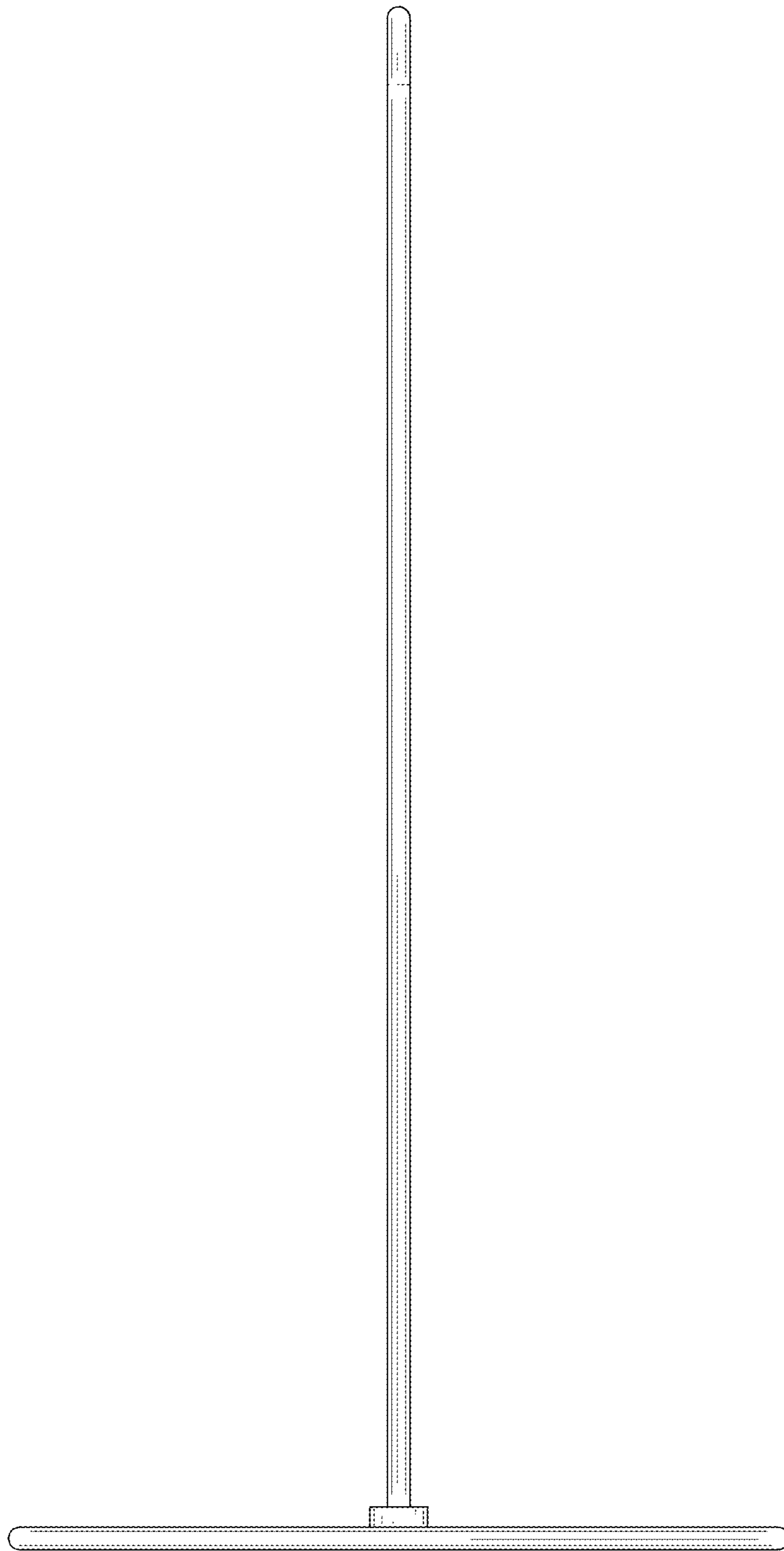


FIG. 6

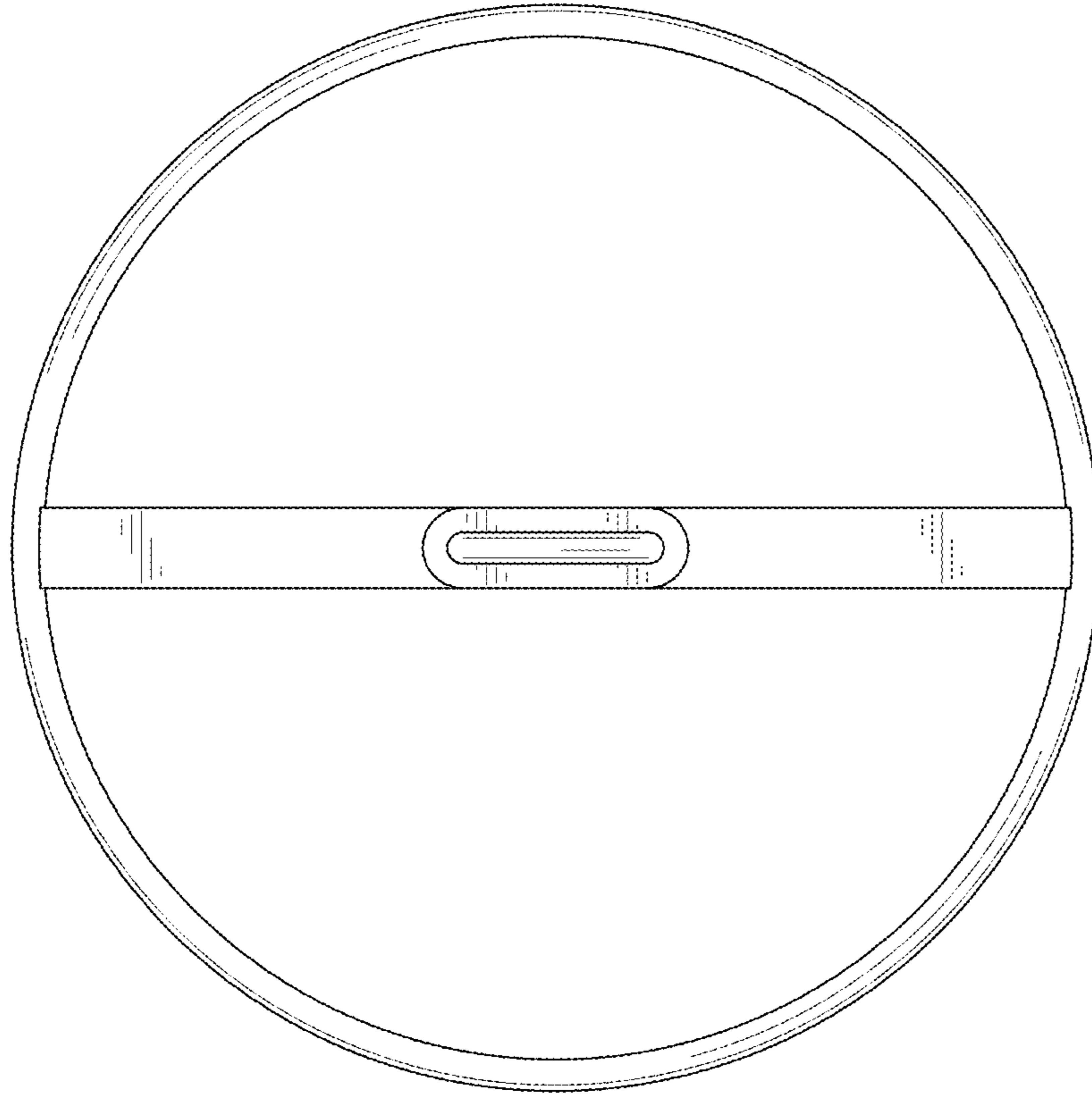


FIG. 7

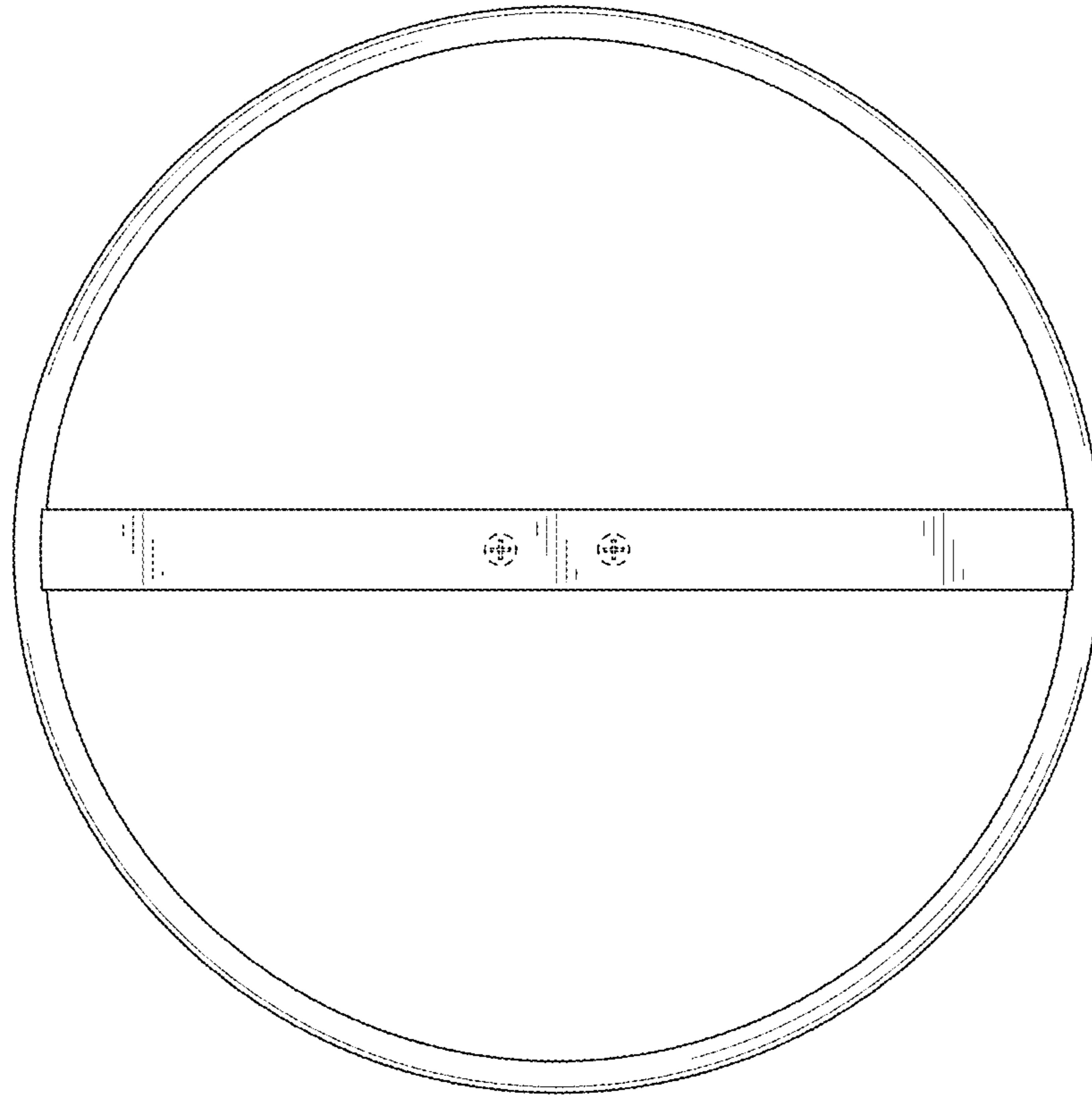


FIG. 8