



US00D964770S

(12) **United States Design Patent**
Guo

(10) **Patent No.:** **US D964,770 S**

(45) **Date of Patent:** **** Sep. 27, 2022**

(54) **PLASTIC PLANT STAND**

(71) Applicant: **Fenggang Guo**, Shandong (CN)

(72) Inventor: **Fenggang Guo**, Shandong (CN)

(**) Term: **15 Years**

(21) Appl. No.: **29/839,881**

(22) Filed: **May 24, 2022**

(51) **LOC (13) Cl.** **06-06**

(52) **U.S. Cl.**
USPC **D6/403**

(58) **Field of Classification Search**
USPC D6/382, 392, 552, 566, 567, 672,
D6/675-675.3, 675.5, 705, 707; D3/304,
D3/306; D11/152, 164; D7/584, 587;
D34/38

CPC A01G 9/02; A01G 9/021
See application file for complete search history.

(56) **References Cited**

U.S. PATENT DOCUMENTS

4,833,823	A *	5/1989	Edwards, III	A01G 9/04 248/346.11
D399,788	S *	10/1998	Wagner	D6/403
6,766,615	B2 *	7/2004	Smead	A01G 9/04 47/71
D505,564	S *	5/2005	Wagner	D6/403
D507,761	S *	7/2005	Lehman	D11/152
D507,762	S *	7/2005	Lehman	D11/152
D541,551	S *	5/2007	Stevenson, III	D6/403
D555,389	S *	11/2007	Kershaw	D6/403
D741,743	S *	10/2015	Steier	D11/164
D743,299	S *	11/2015	Gillingham	D11/152
D764,205	S *	8/2016	Macari	D6/403
D789,110	S *	6/2017	Macari	D6/403

OTHER PUBLICATIONS

Amazon website, 6Pcs Plant Level Pot Elevator, Earliest review date Jan. 16, 2022, [site visited Jul. 16, 2022], Available on the Internet URL www.amazon.com/Elevator-Stands-Saucer-Prevent-20cm-6pcs/dp/B09P4L4WYV (Year: 2022).*

Amazon website, Grow1 16-inch Pot Elevators for Plants Plastic Fabric Pots, Earliest review date Jun. 3, 2020, [site visited Jul. 16, 2022], Available on the Internet URL www.amazon.com/Grow1-Pot-Elevators-6-Pack-16/product-reviews/B083F56HQD (Year: 2020).*

* cited by examiner

Primary Examiner — S. Bryan Reinholdt, Jr.

(74) *Attorney, Agent, or Firm* — Che-Yang Chen; Law Office of Michael Chen

(57) **CLAIM**

The ornamental design for a plastic plant stand, as shown and described.

DESCRIPTION

FIG. 1 is a perspective view of the plastic plant stand showing my new design;

FIG. 2 is a perspective view thereof from another angle;

FIG. 3 is a front elevational view thereof;

FIG. 4 is a rear elevational view thereof;

FIG. 5 is a left side elevational view thereof;

FIG. 6 is a right side elevational view thereof;

FIG. 7 is a top plan view thereof;

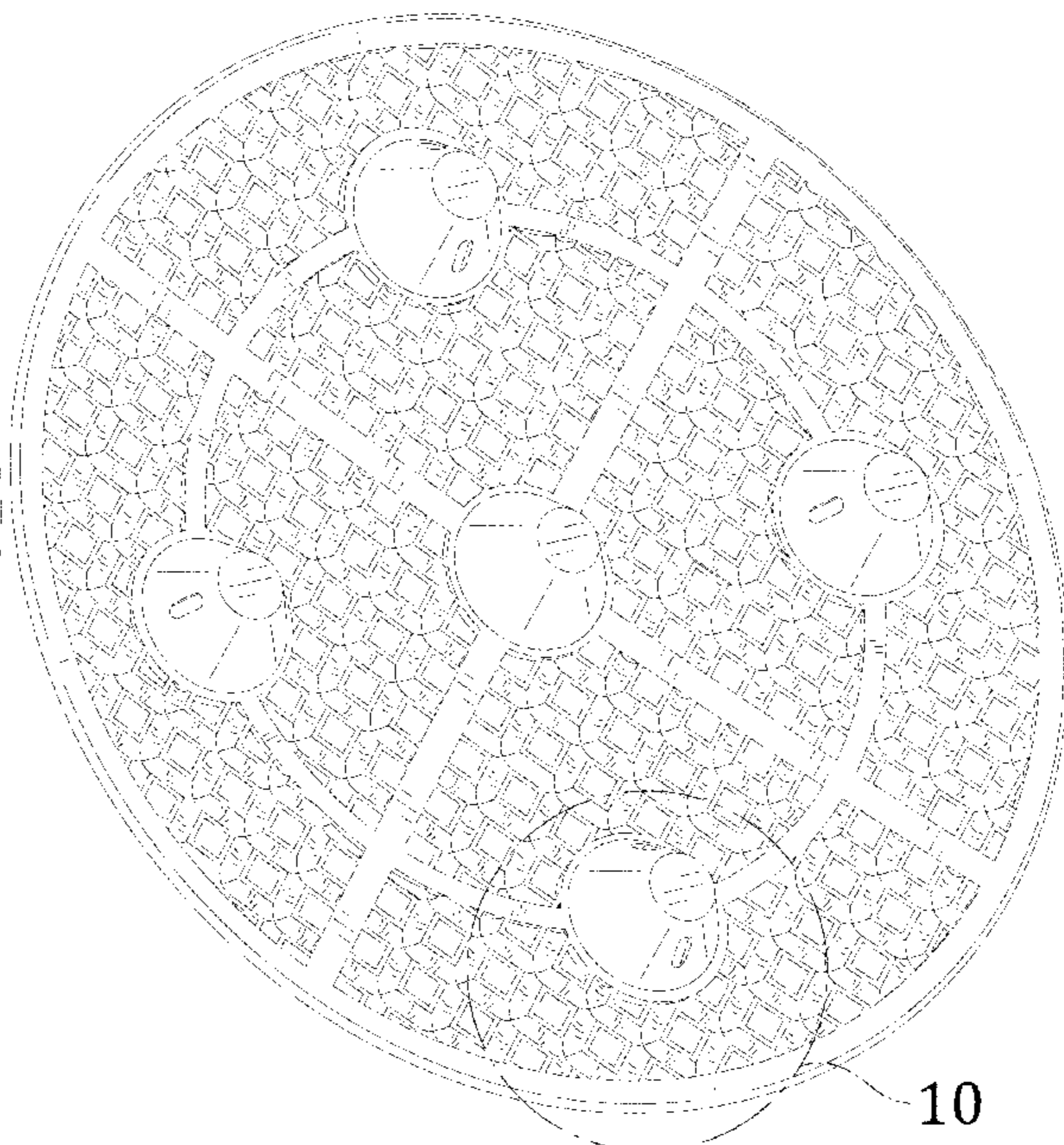
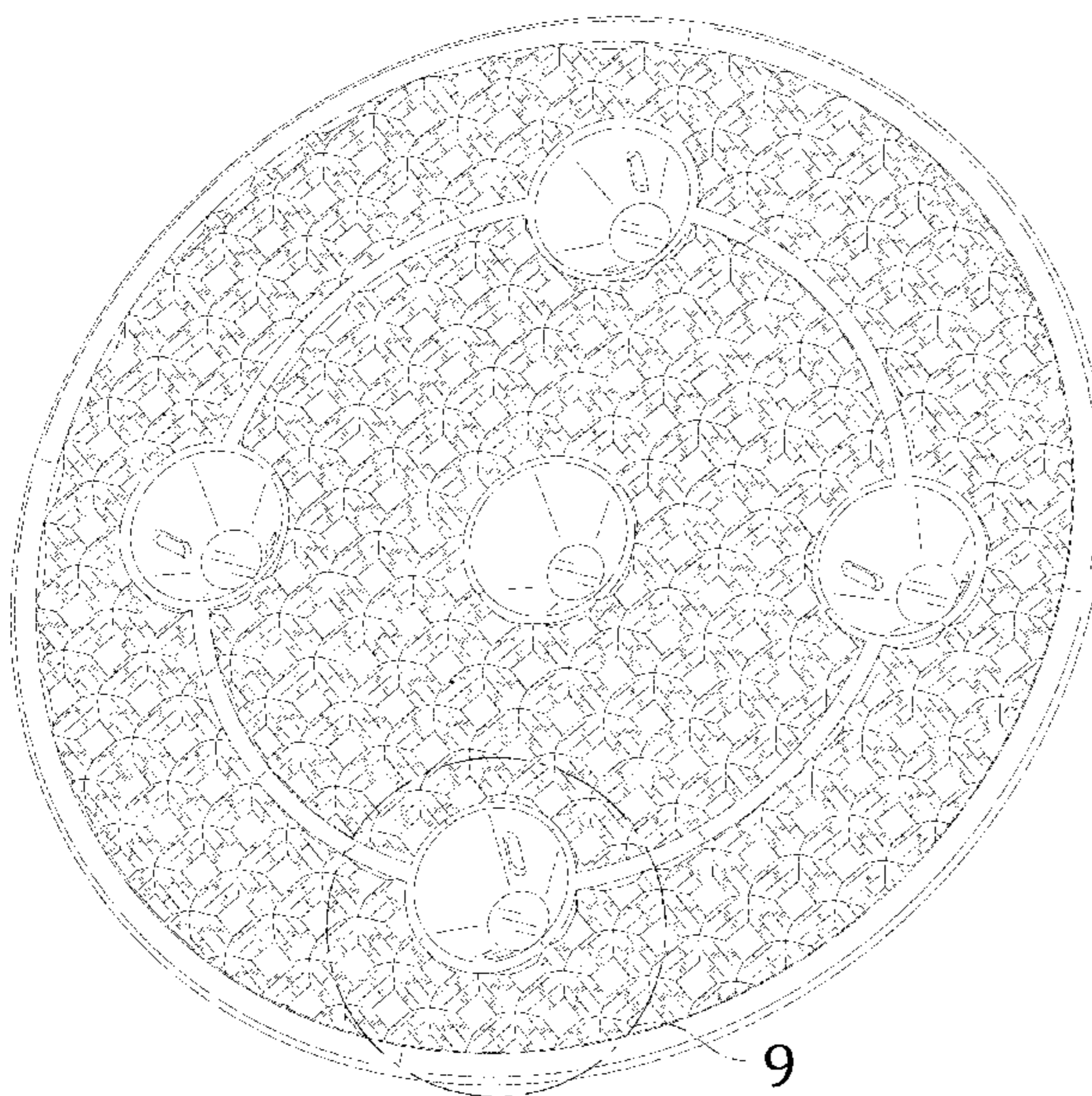
FIG. 8 is a bottom plan view thereof;

FIG. 9 is an enlarged view of a portion indicated with numeric 9 in FIG. 1; and,

FIG. 10 is an enlarged view of a portion indicated with numeric 10 in FIG. 2.

The dot-dash-dot broken lines depict the boundaries of the detailed enlargements that form no part of the claimed design.

1 Claim, 10 Drawing Sheets



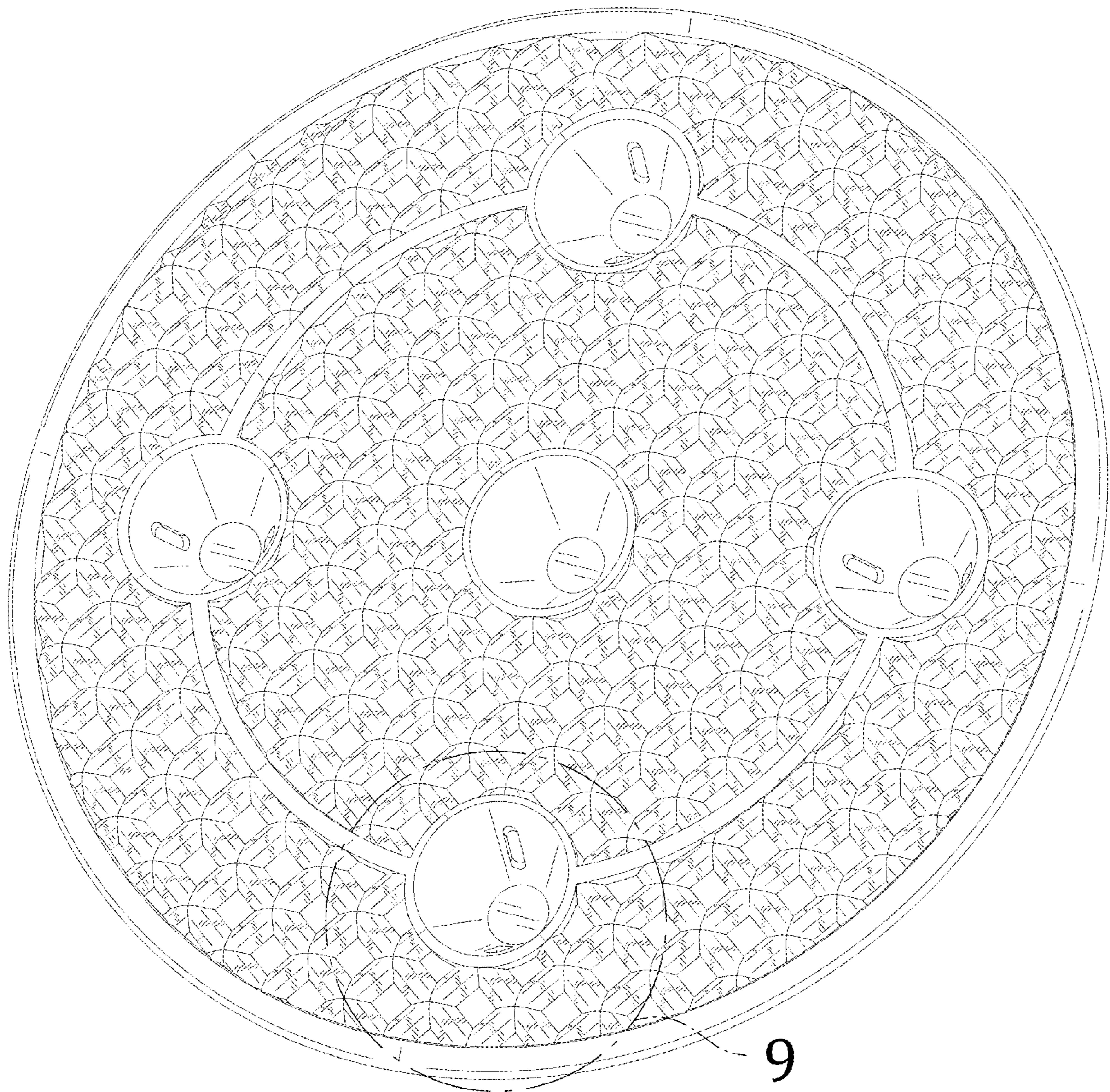


FIG. 1

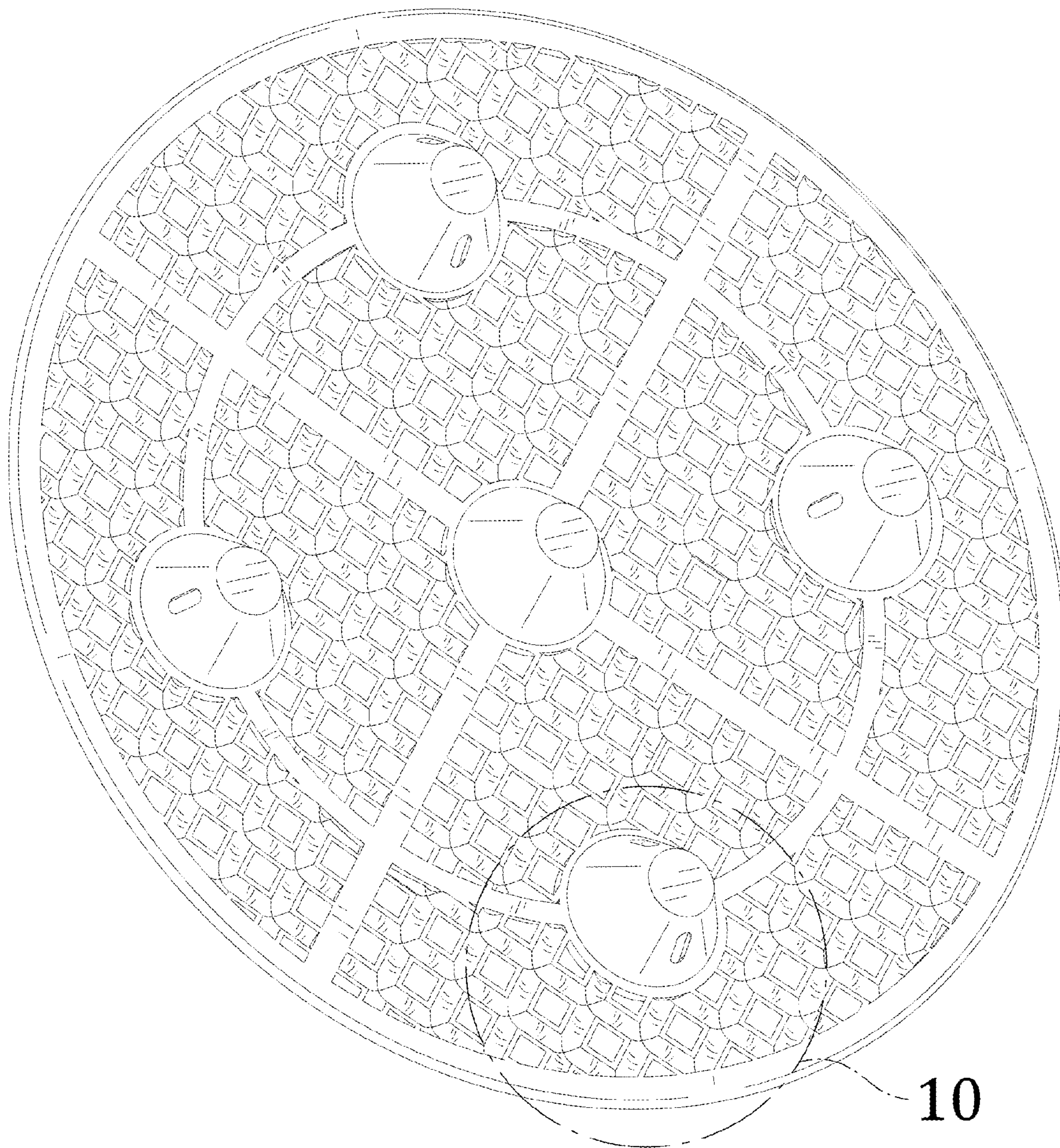


FIG. 2

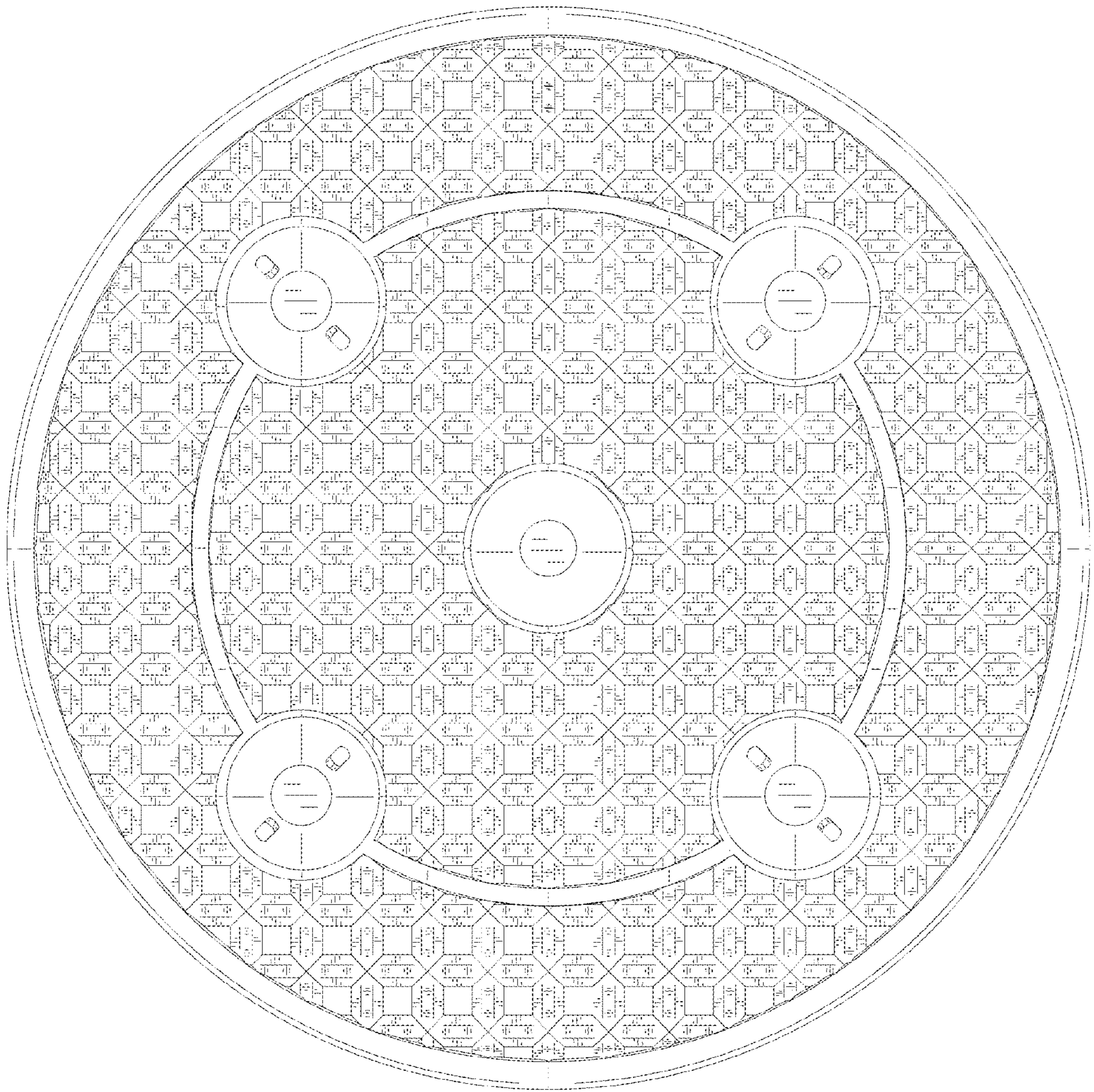


FIG. 3

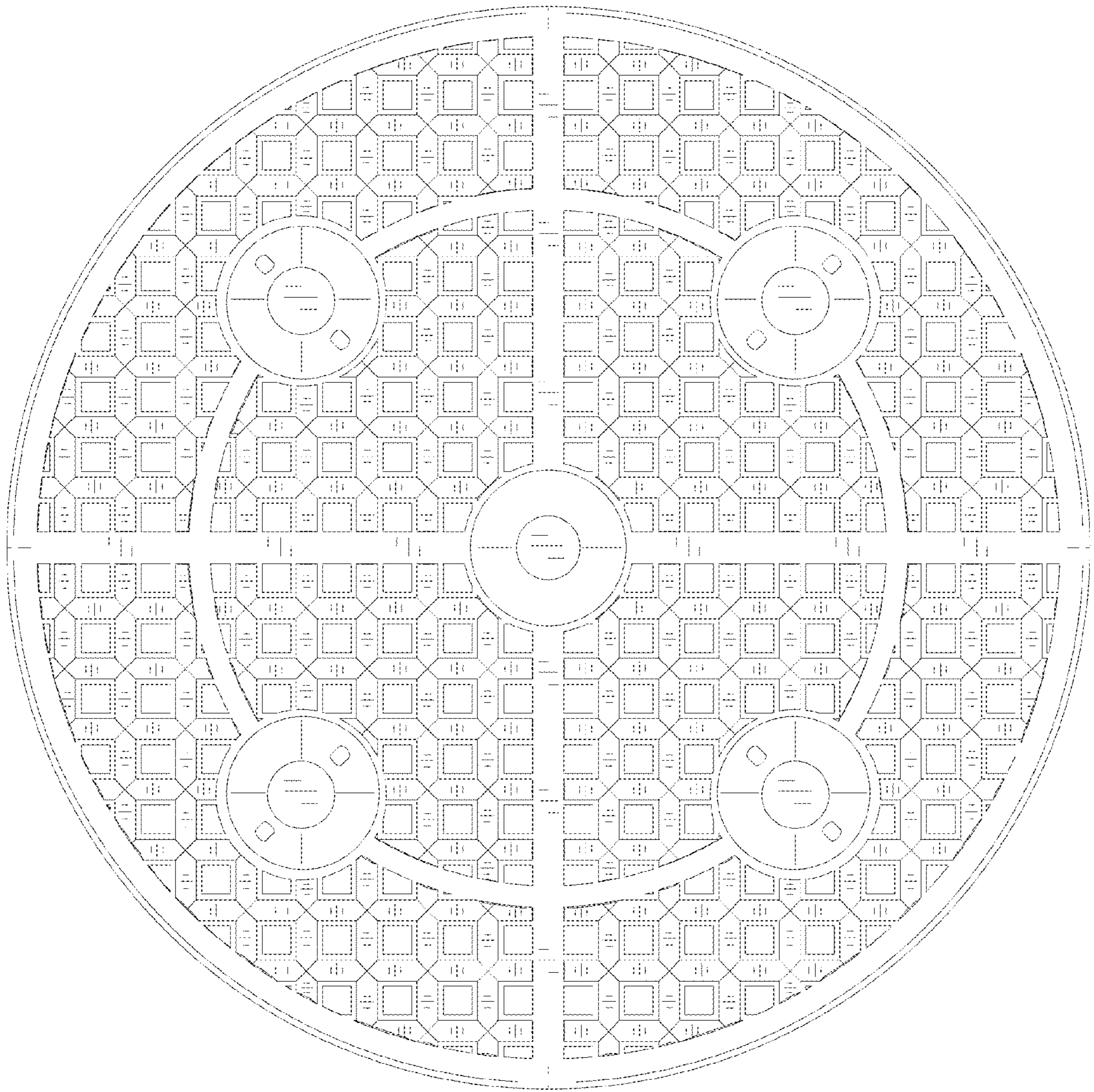


FIG. 4

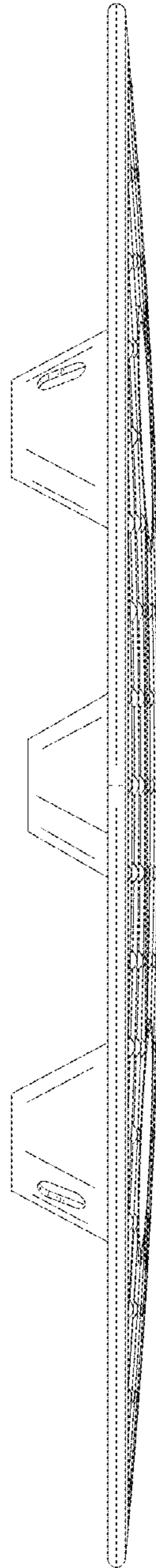


FIG. 5

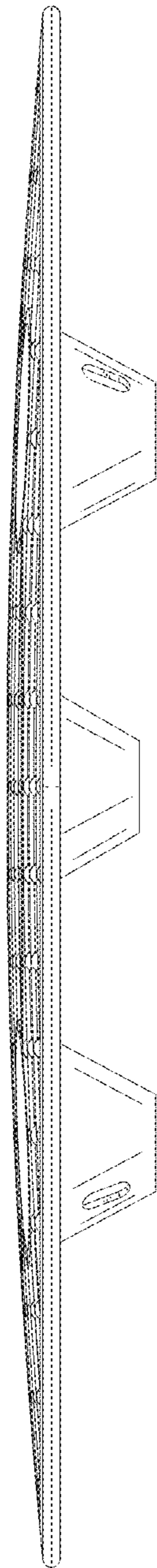


FIG. 6

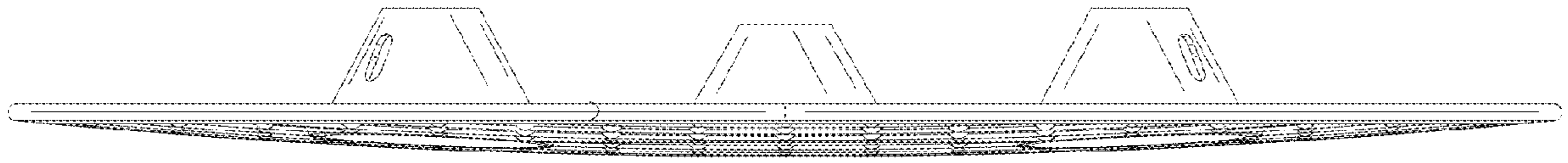


FIG. 7

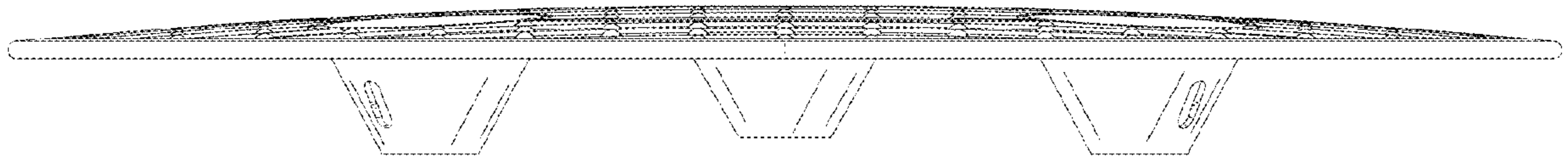


FIG. 8

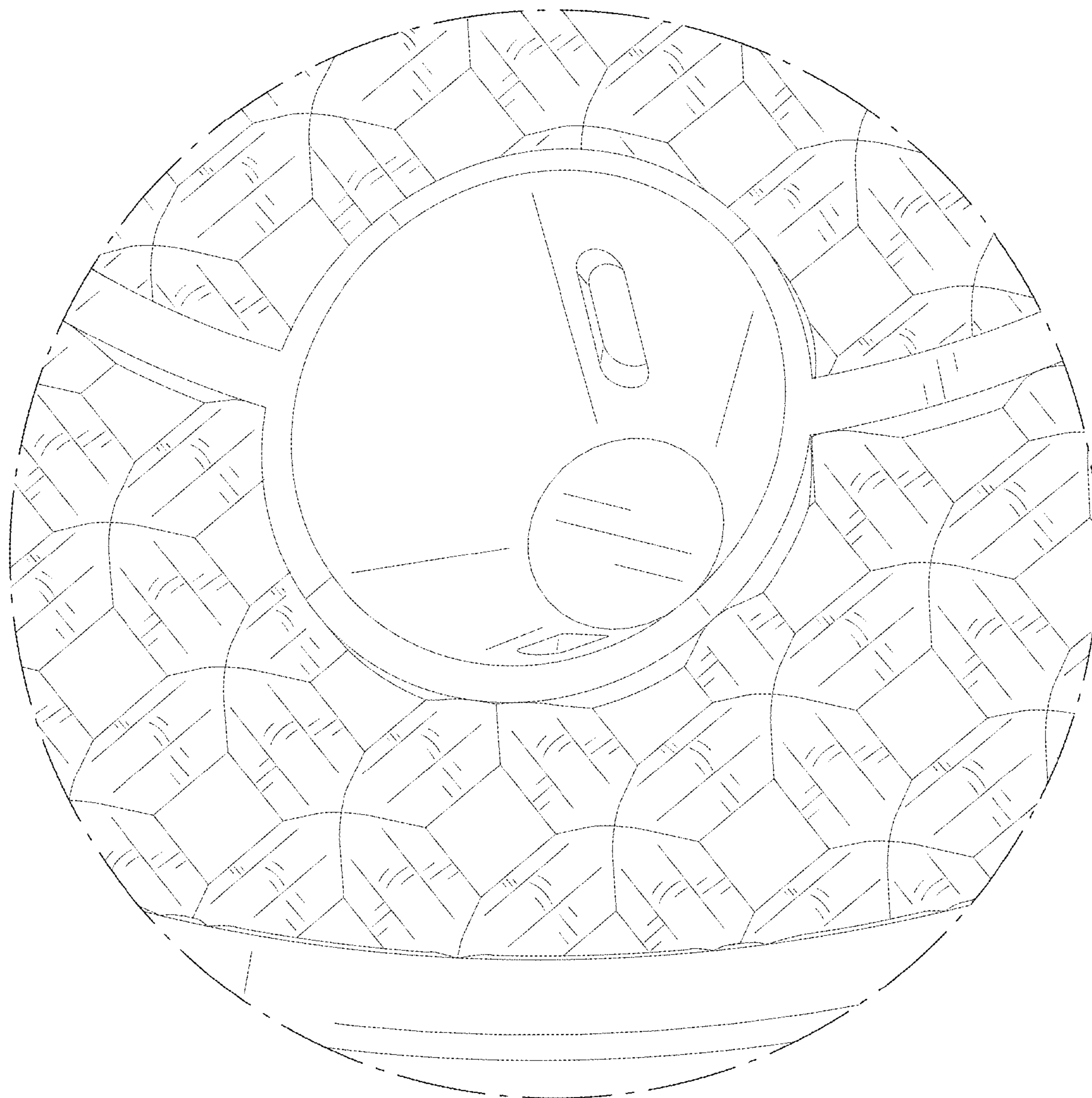


FIG. 9

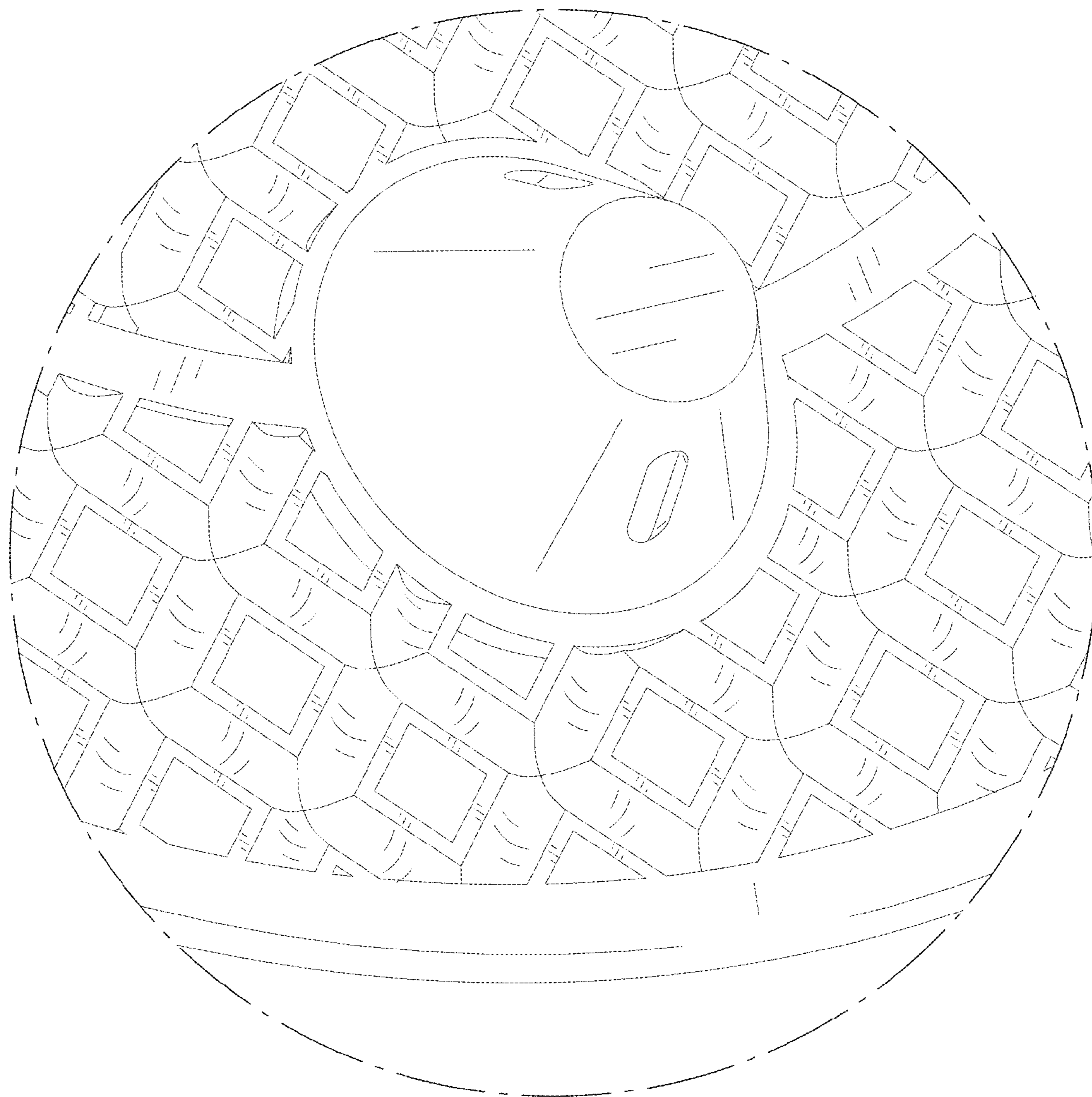


FIG. 10