

US00D964767S

(12) **United States Design Patent** (10) **Patent No.:** **US D964,767 S**  
**Jehs et al.** (45) **Date of Patent:** **\*\* Sep. 27, 2022**

- (54) **SOFA**
- (71) Applicant: **HERMAN MILLER, INC.**, Zeeland, MI (US)
- (72) Inventors: **Markus Jehs**, Stuttgart (DE); **Jurgen Laub**, Stuttgart (DE)
- (73) Assignee: **MillerKnoll, Inc.**, Zeeland, MI (US)
- (\*\*) Term: **15 Years**
- (21) Appl. No.: **29/724,676**
- (22) Filed: **Feb. 18, 2020**
- (51) **LOC (13) Cl.** ..... **06-01**
- (52) **U.S. Cl.**  
USPC ..... **D6/381**
- (58) **Field of Classification Search**  
USPC ..... D6/334, 335, 349, 355, 360, 364, 367, D6/369, 374, 375, 377, 378, 381  
CPC ..... A47C 4/02; A47C 4/28  
See application file for complete search history.

- D664,381 S 7/2012 Kubryk
  - D702,451 S 4/2014 Hayon
  - D704,465 S \* 5/2014 Massaud ..... D6/364
  - D717,555 S \* 11/2014 Massaud ..... D6/364
- (Continued)

**OTHER PUBLICATIONS**

Knoll Home Design "Womb Chair" <<https://www.knoll.com/product/womb-chair>> available as early as Mar. 12, 2017 (8 pages).

*Primary Examiner* — Deanna L Pratt  
(74) *Attorney, Agent, or Firm* — Michael Best & Friedrich LLP

(57) **CLAIM**

We claim the ornamental design for a sofa, as shown and described.

**DESCRIPTION**

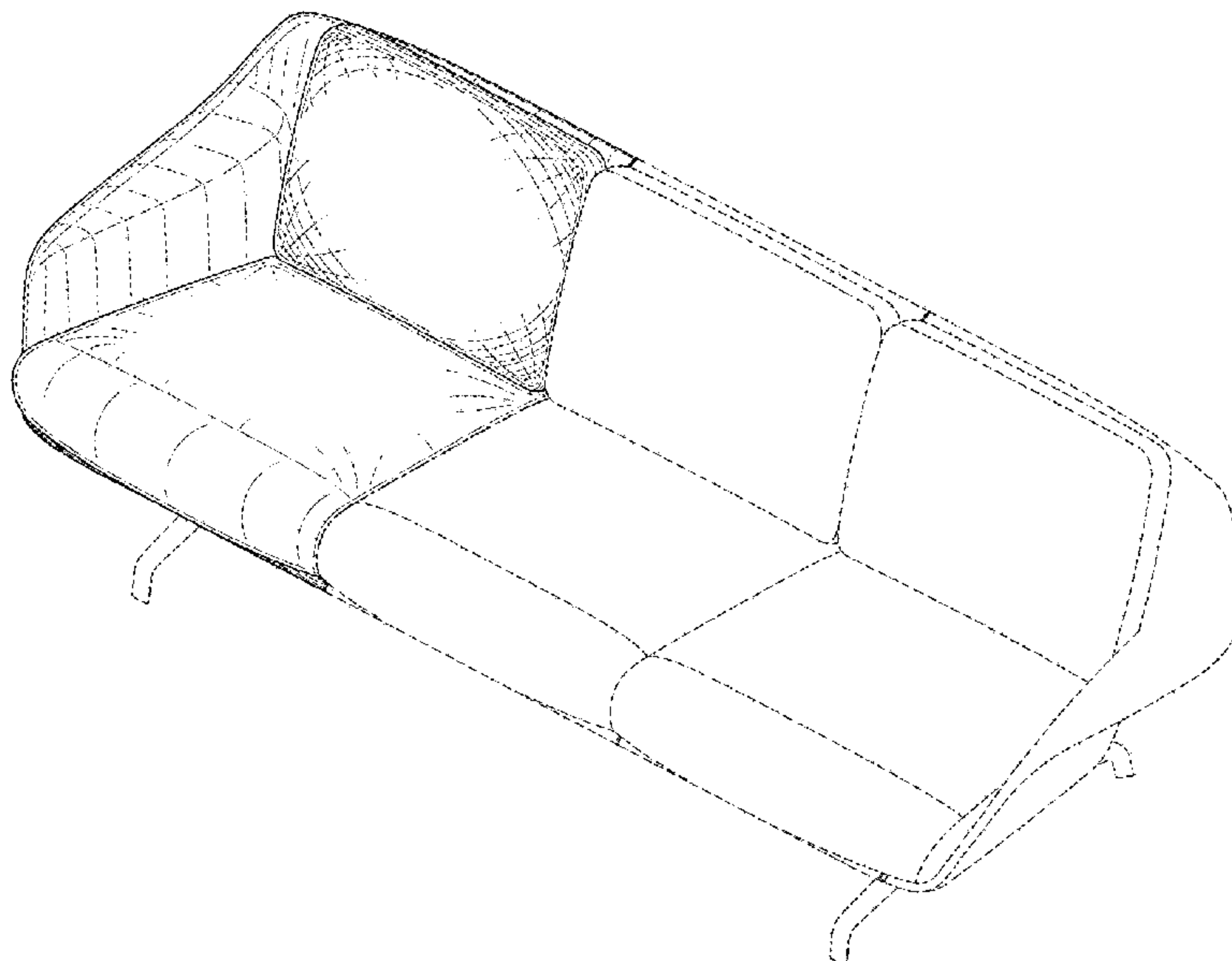
FIG. 1 is a perspective view of a sofa embodying the invention.  
 FIG. 2 is a front view of the sofa of FIG. 1.  
 FIG. 3 is a rear view of the sofa of FIG. 1.  
 FIG. 4 is a first side view of the sofa of FIG. 1.  
 FIG. 5 is a second side view of the sofa of FIG. 1.  
 FIG. 6 is a top view of the sofa of FIG. 1.  
 FIG. 7 is a bottom view of the sofa of FIG. 1.  
 FIG. 8 is a perspective view of another sofa embodying the invention.  
 FIG. 9 is a front view of the sofa of FIG. 8.  
 FIG. 10 is a rear view of the sofa of FIG. 8.  
 FIG. 11 is a first side view of the sofa of FIG. 8.  
 FIG. 12 is a second side view of the sofa of FIG. 8.  
 FIG. 13 is a top view of the sofa of FIG. 8; and,  
 FIG. 14 is a bottom view of the sofa of FIG. 8.  
 Portions of the sofa shown in evenly spaced broken lines form no part of the claimed design. Portions of the sofa shown in long and short broken lines form a boundary of the claimed design.

**1 Claim, 14 Drawing Sheets**

(56) **References Cited**

**U.S. PATENT DOCUMENTS**

- D174,929 S \* 6/1955 Spound ..... D6/381
- D238,914 S 2/1976 Zapf
- D245,886 S 9/1977 Wilson
- D280,271 S \* 8/1985 Platner ..... D6/381
- D336,376 S \* 6/1993 Hollington ..... D6/334
- D401,078 S 11/1998 Relling
- D444,641 S \* 7/2001 Lipparini ..... D6/381
- D480,883 S 10/2003 Williams et al.
- D482,535 S 11/2003 Williams et al.
- D504,782 S \* 5/2005 Moser ..... D6/334
- D505,277 S 5/2005 Tapinassi et al.
- D558,468 S 1/2008 Lade
- D558,469 S \* 1/2008 Lade ..... D6/334
- D559,576 S \* 1/2008 Bauchet ..... D6/381
- D578,317 S 10/2008 Natuzzi
- D606,325 S \* 12/2009 Gharabegian ..... D6/334



(56)

**References Cited**

U.S. PATENT DOCUMENTS

D730,098 S	5/2015	Kubryk	
D753,927 S	4/2016	Webb	
D762,407 S	8/2016	Kubryk	
D766,640 S	9/2016	Kubryk	
D785,955 S	5/2017	Seat	
D785,963 S	5/2017	Podsiadlo et al.	
D795,604 S	8/2017	Webb	
D799,873 S	10/2017	Swy	
D799,874 S	10/2017	Swy	
D811,101 S *	2/2018	Liu .....	D6/335
D864,638 S	10/2019	Jehs et al.	
D878,797 S	3/2020	Killinger	
D880,919 S	4/2020	Jehs et al.	
D883,684 S	5/2020	Urquiola	
D885,782 S	6/2020	Gam	
D886,482 S	6/2020	Herkner	
D890,544 S *	7/2020	Lucidi .....	D6/381
D901,912 S	11/2020	Barber et al.	
D906,716 S	1/2021	Smrstick	
D925,245 S *	7/2021	Williams .....	D6/374
D925,938 S	7/2021	Andersen et al.	
D931,004 S	9/2021	Foersom et al.	

\* cited by examiner

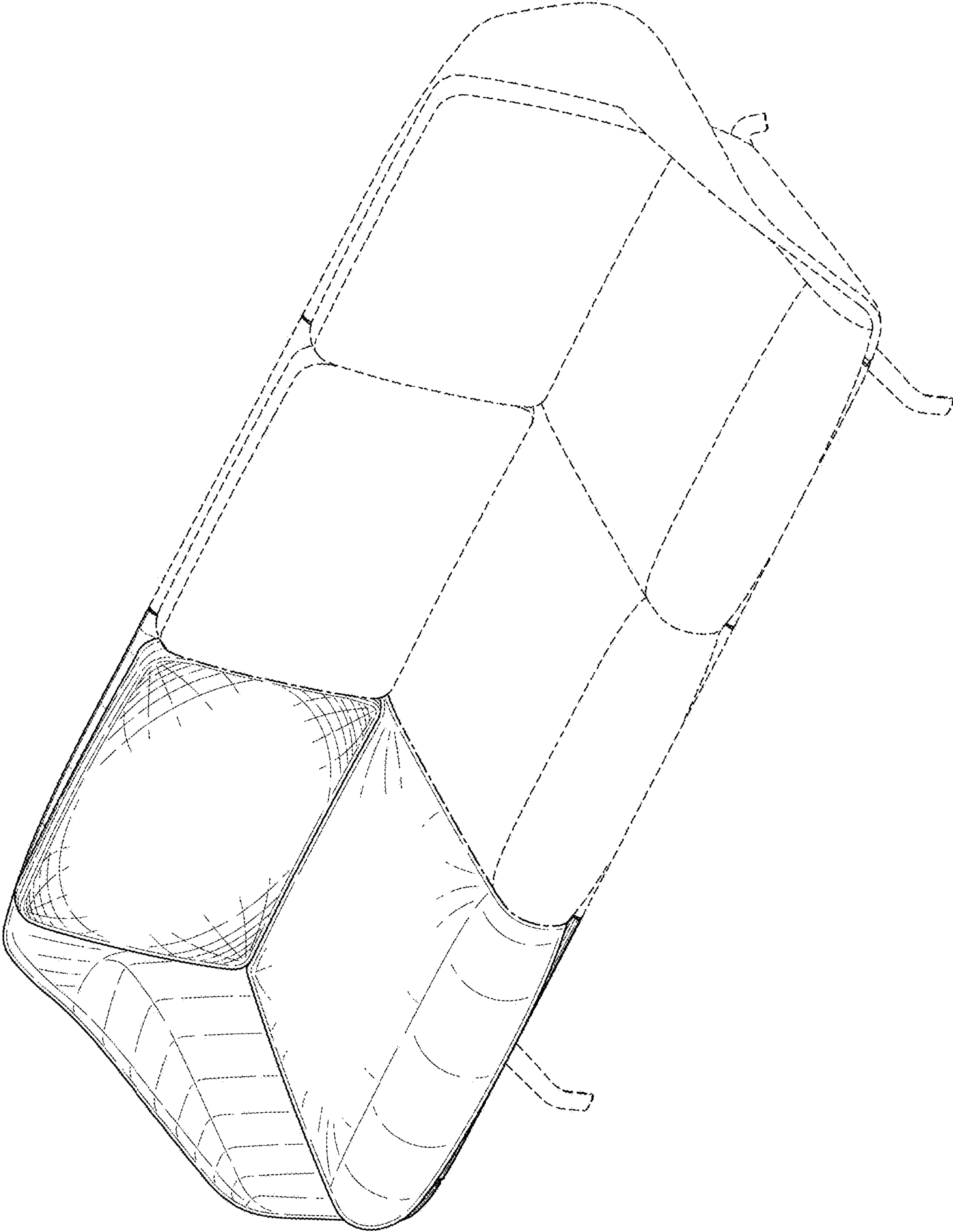


FIG. 1

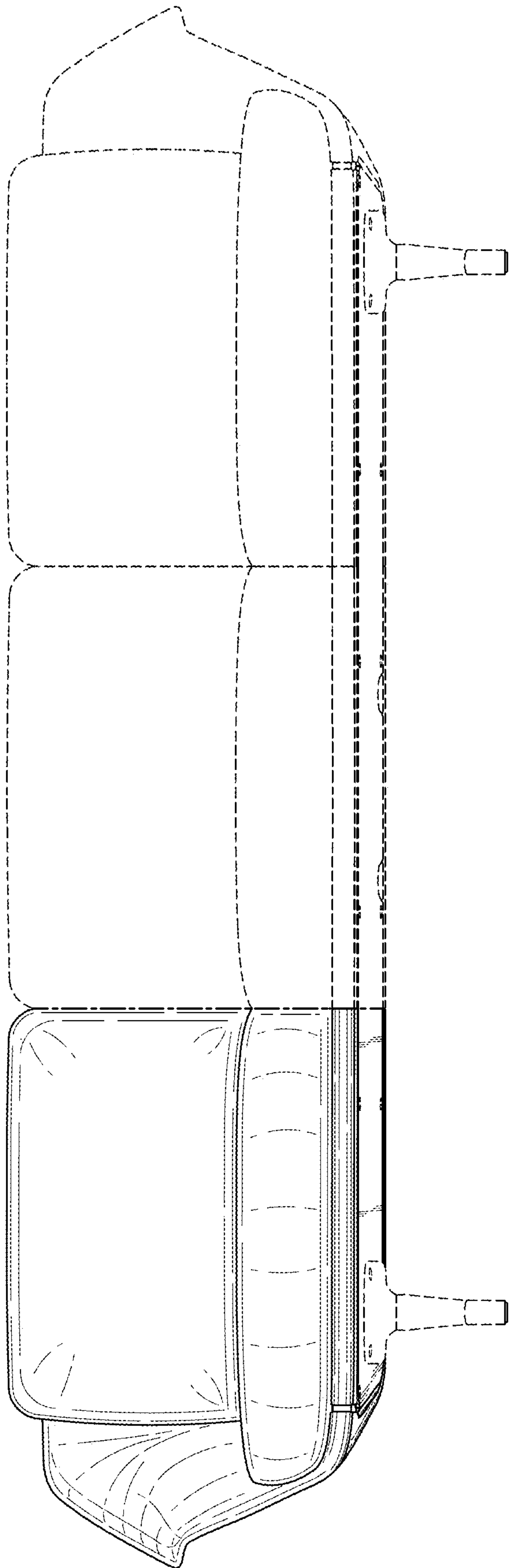


FIG. 2

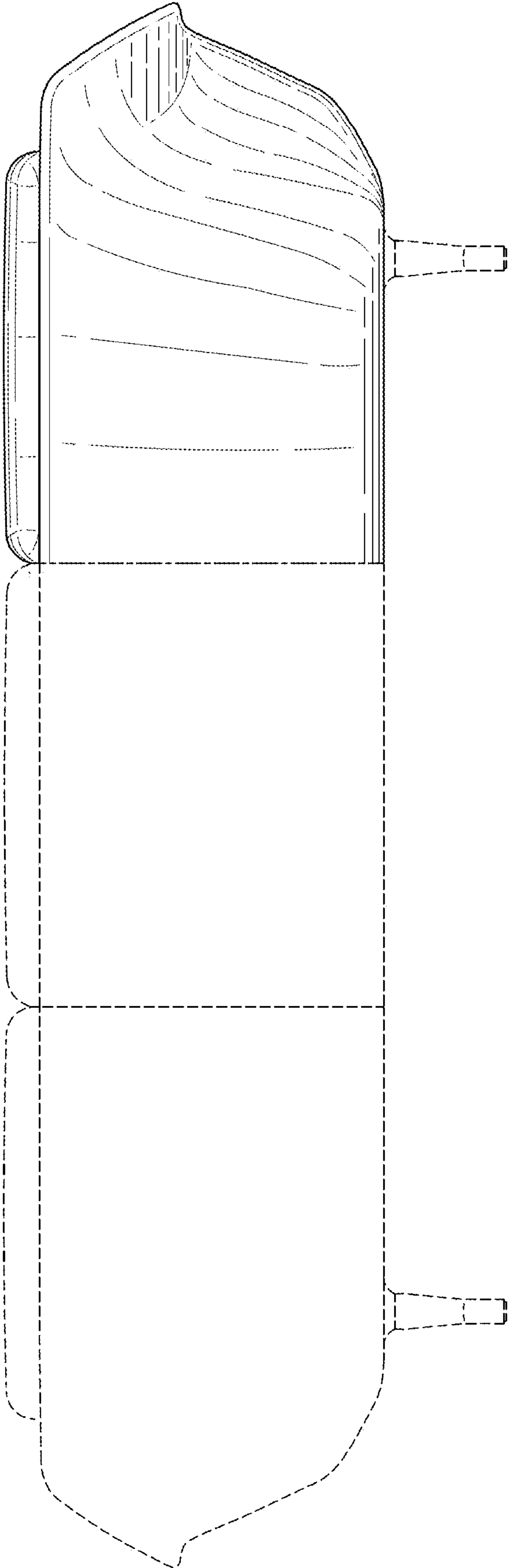


FIG. 3



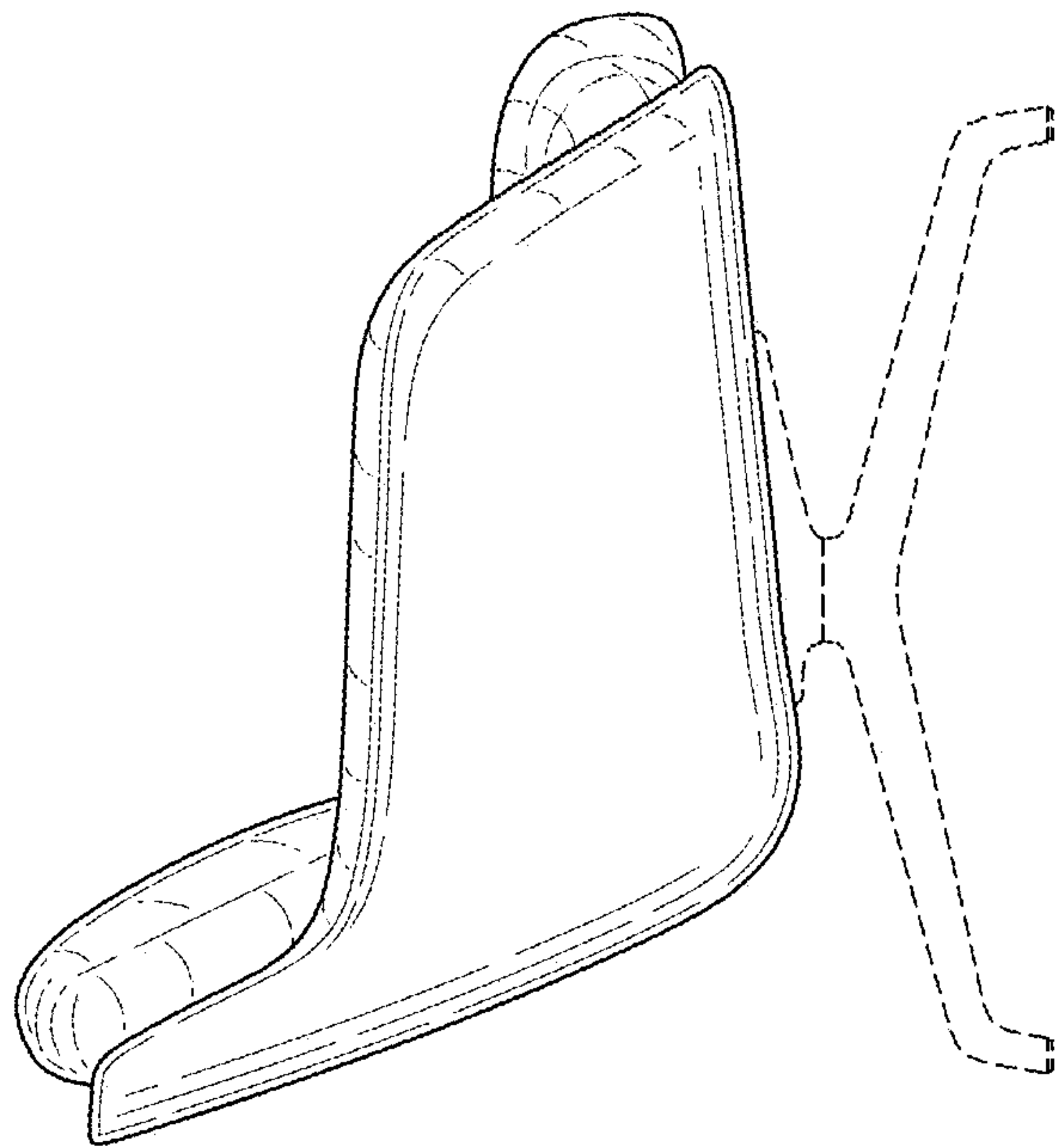


FIG. 4

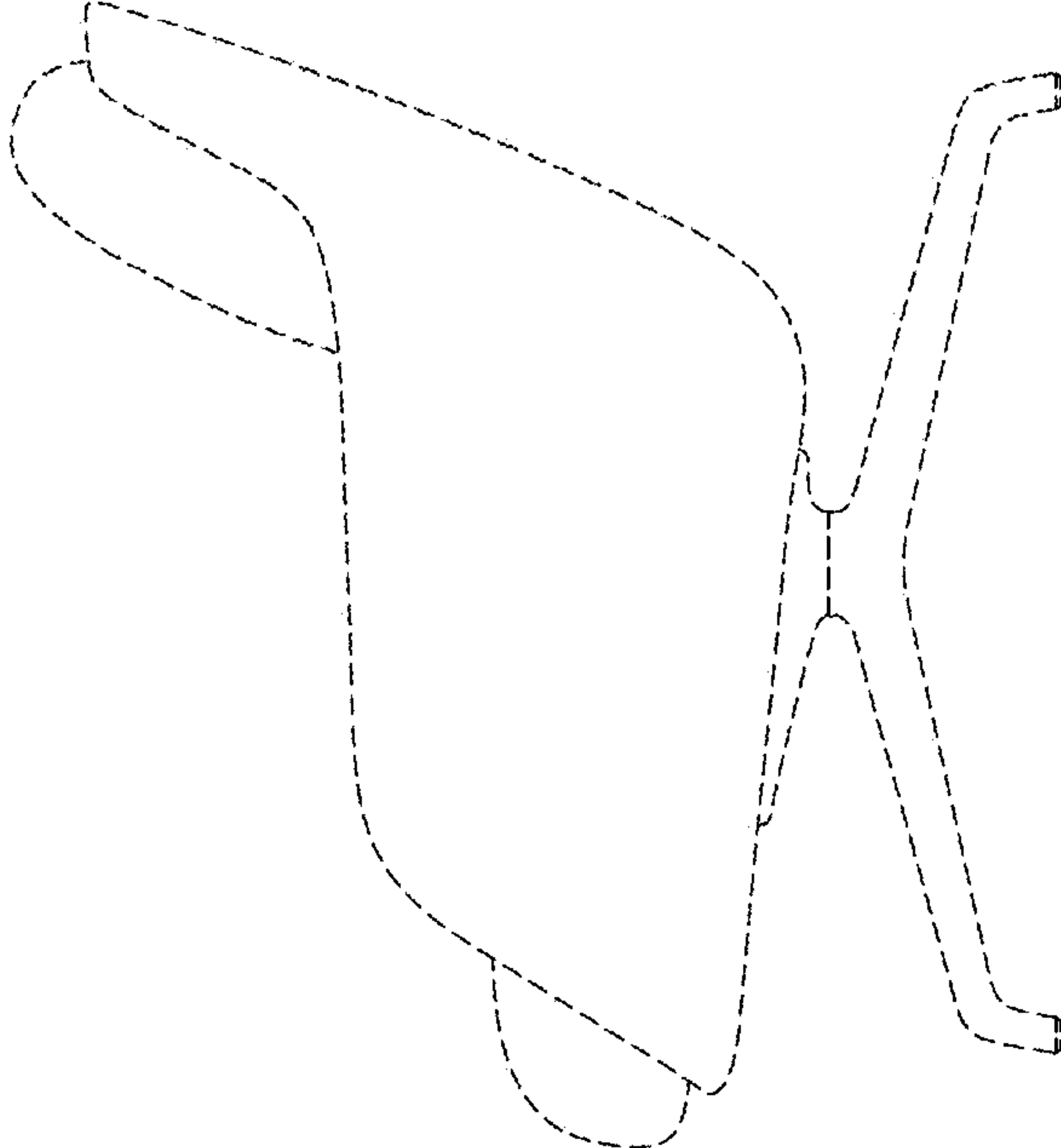


FIG. 5

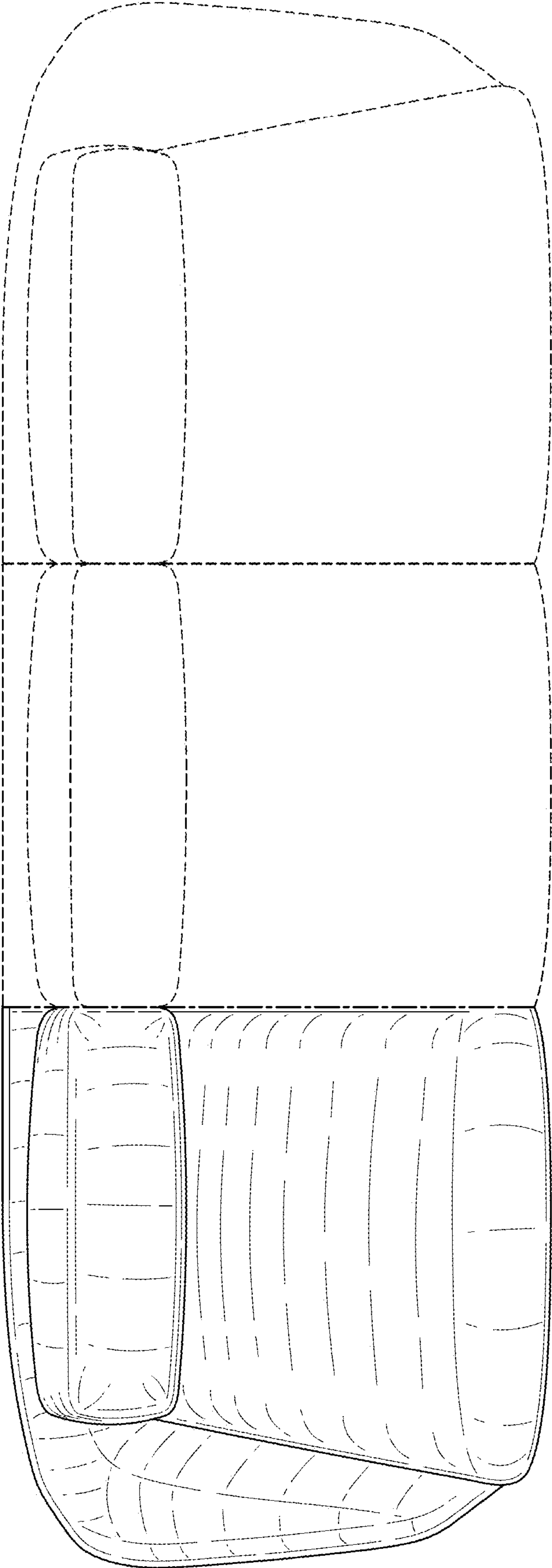


FIG. 6



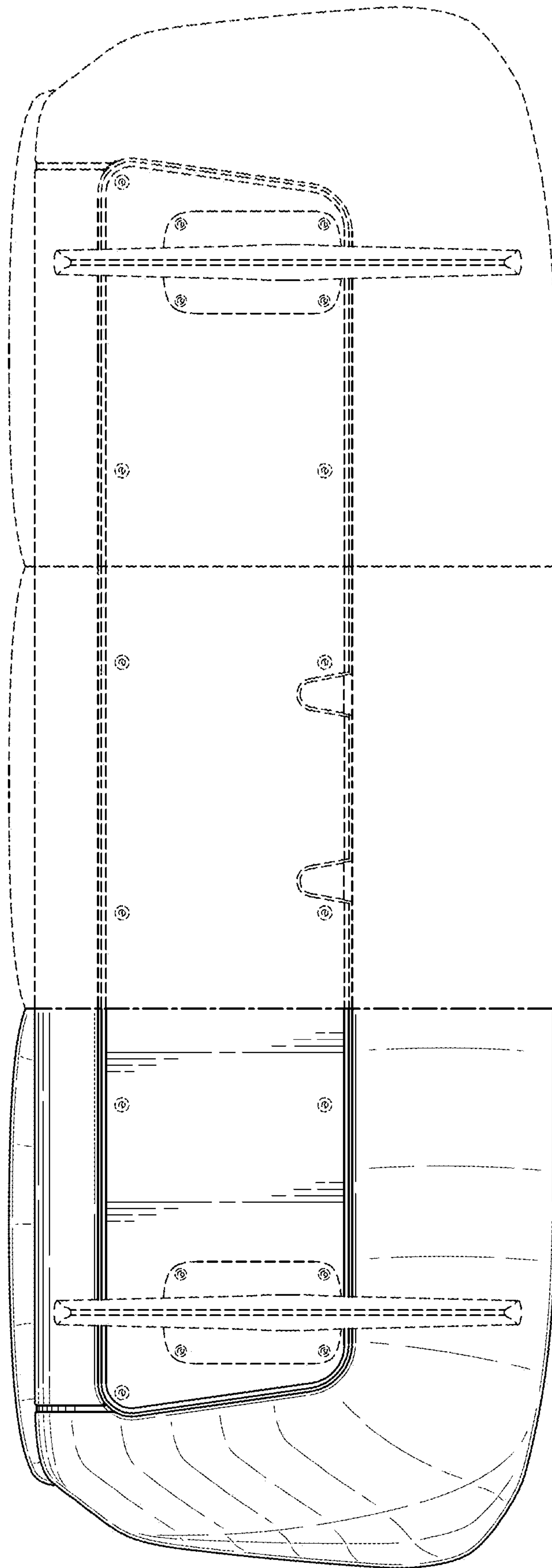


FIG. 7

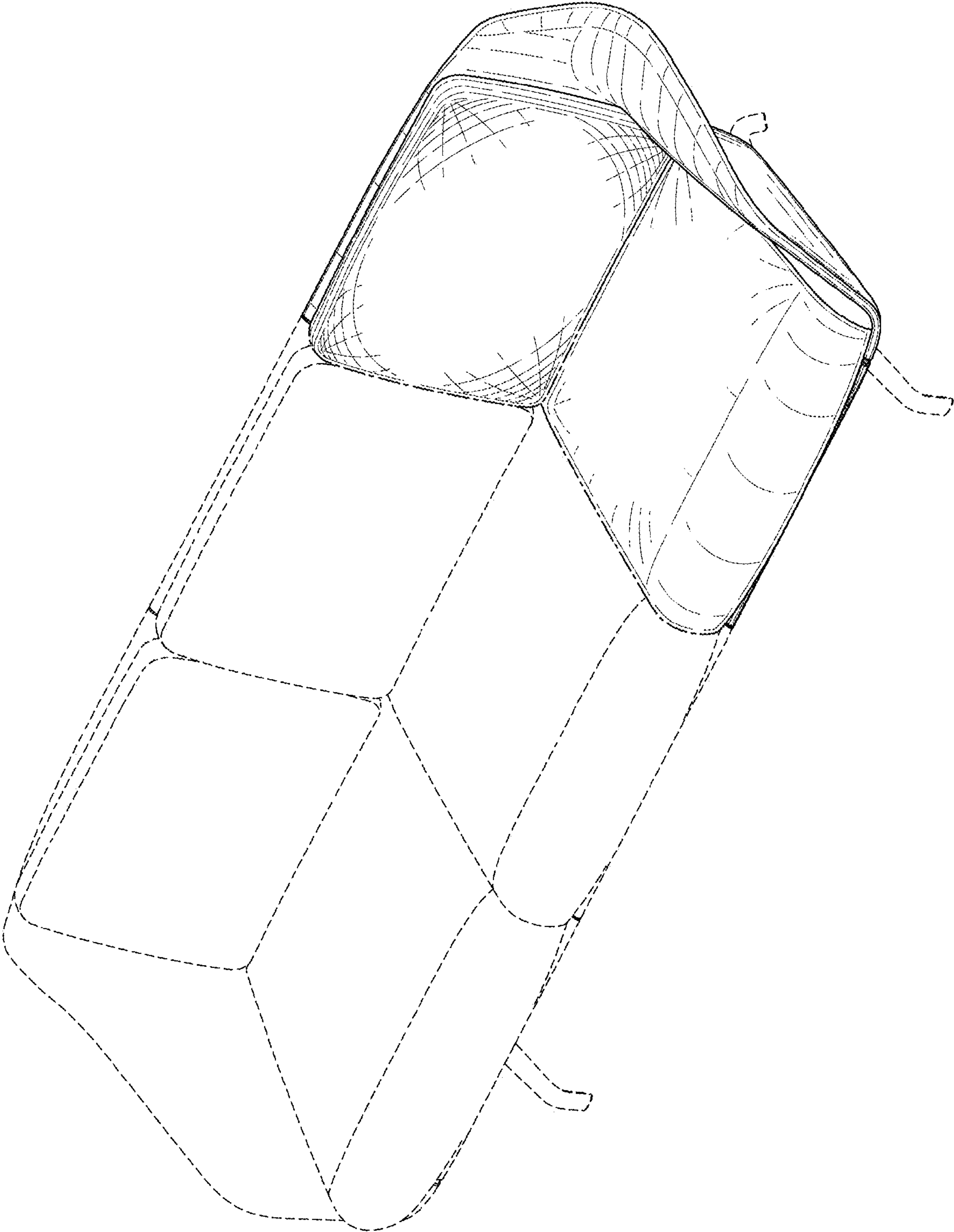


FIG. 8

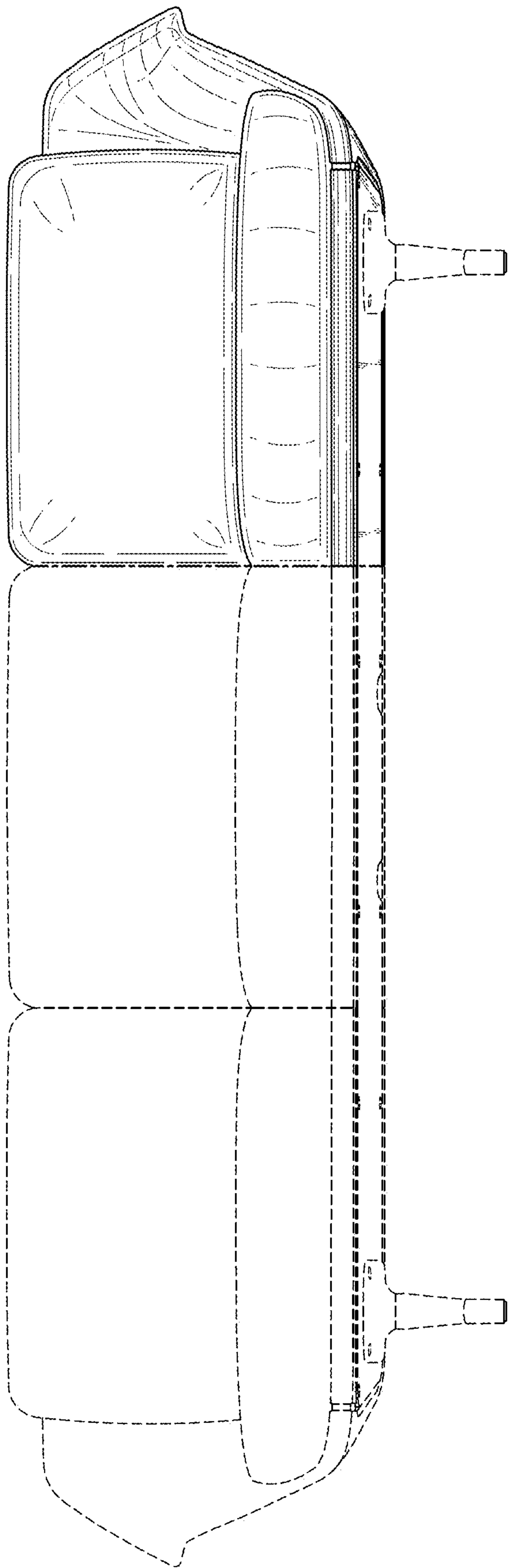


FIG. 9

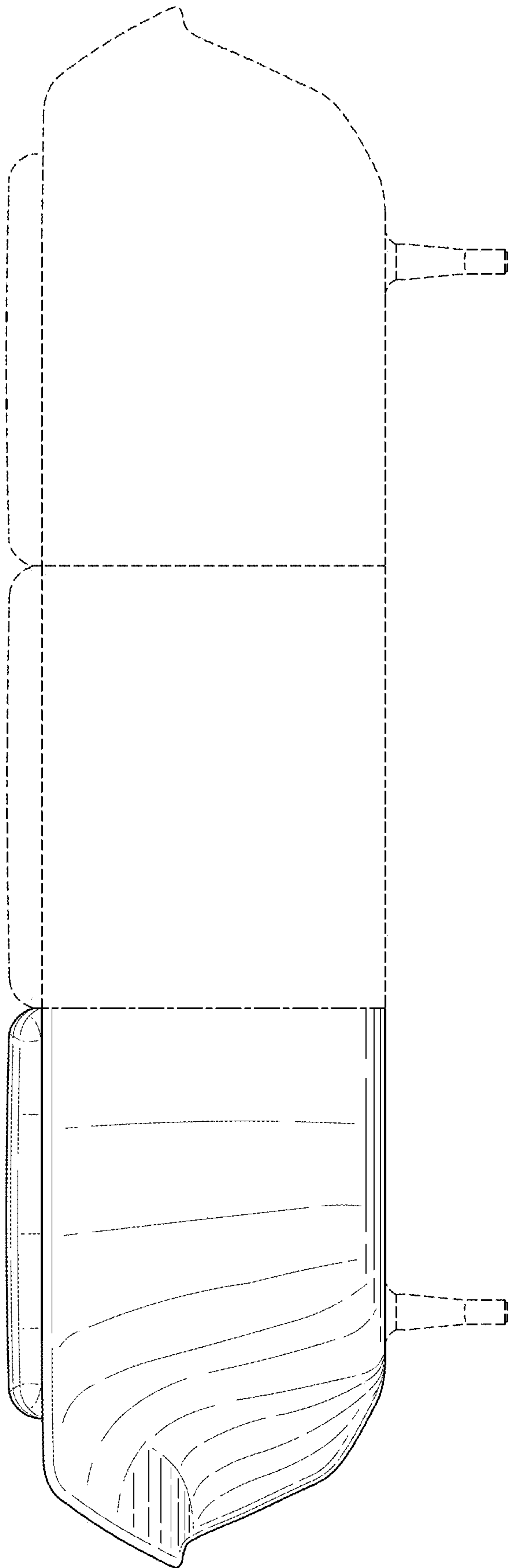


FIG. 10

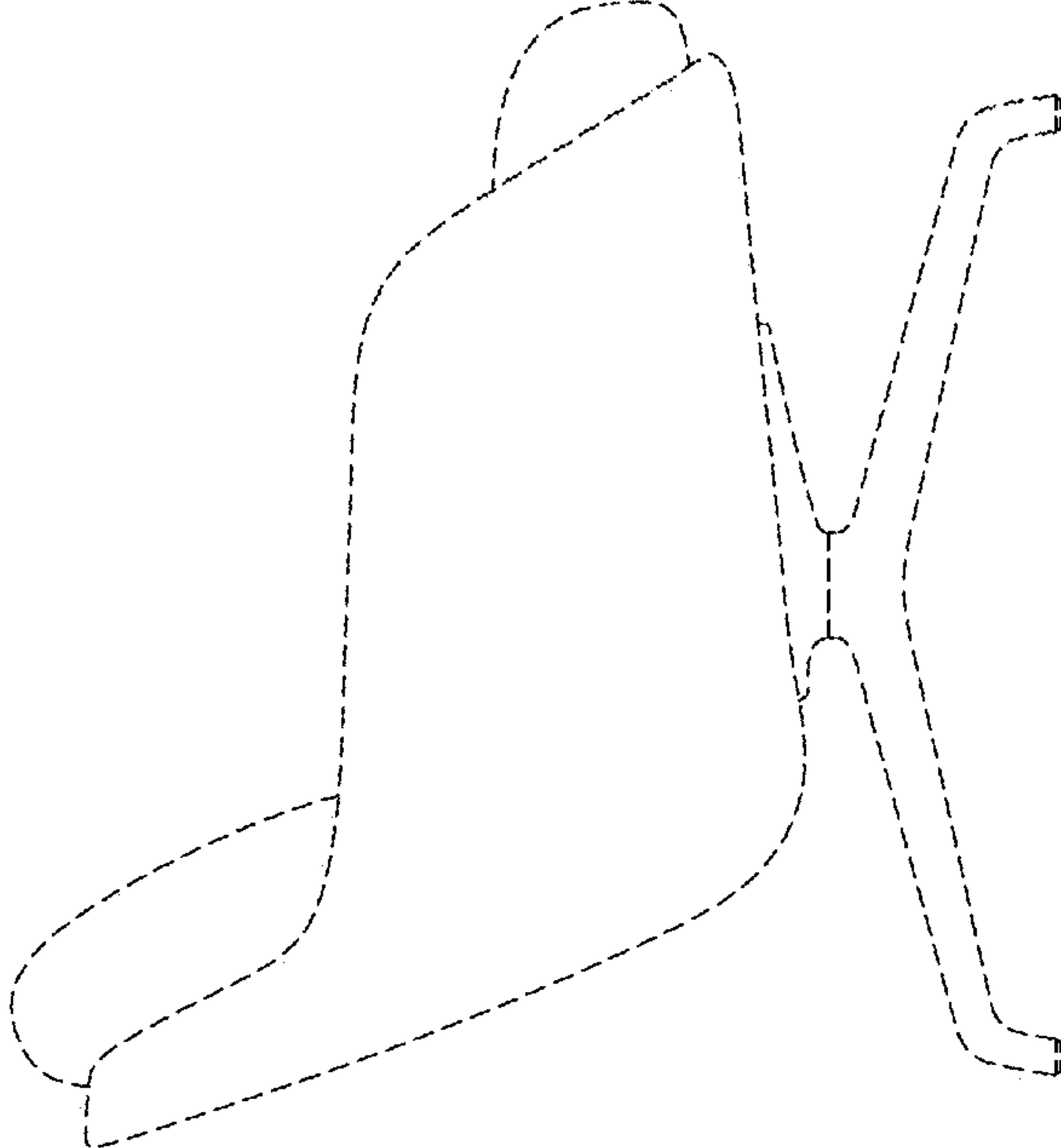


FIG. 11

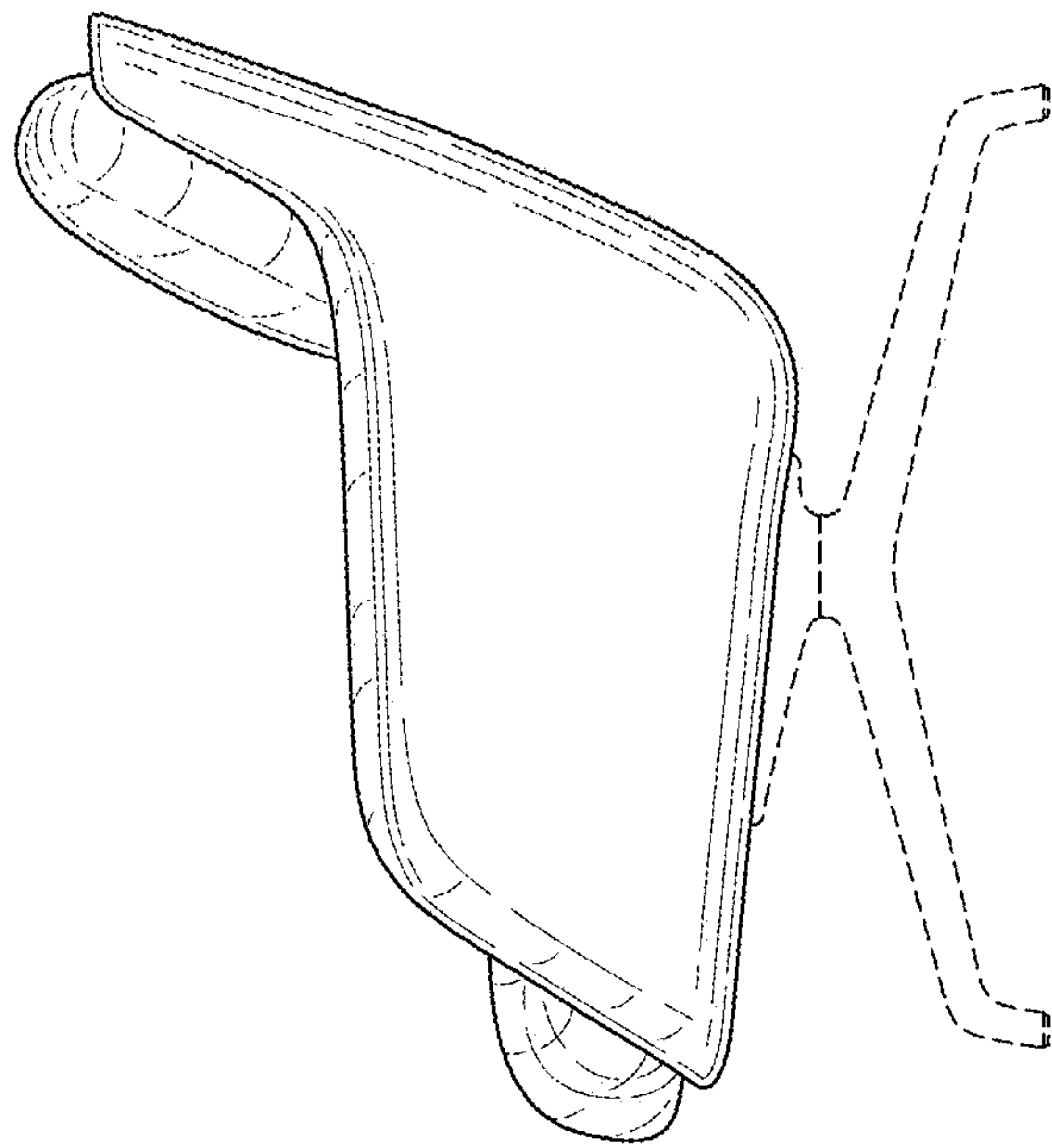


FIG. 12



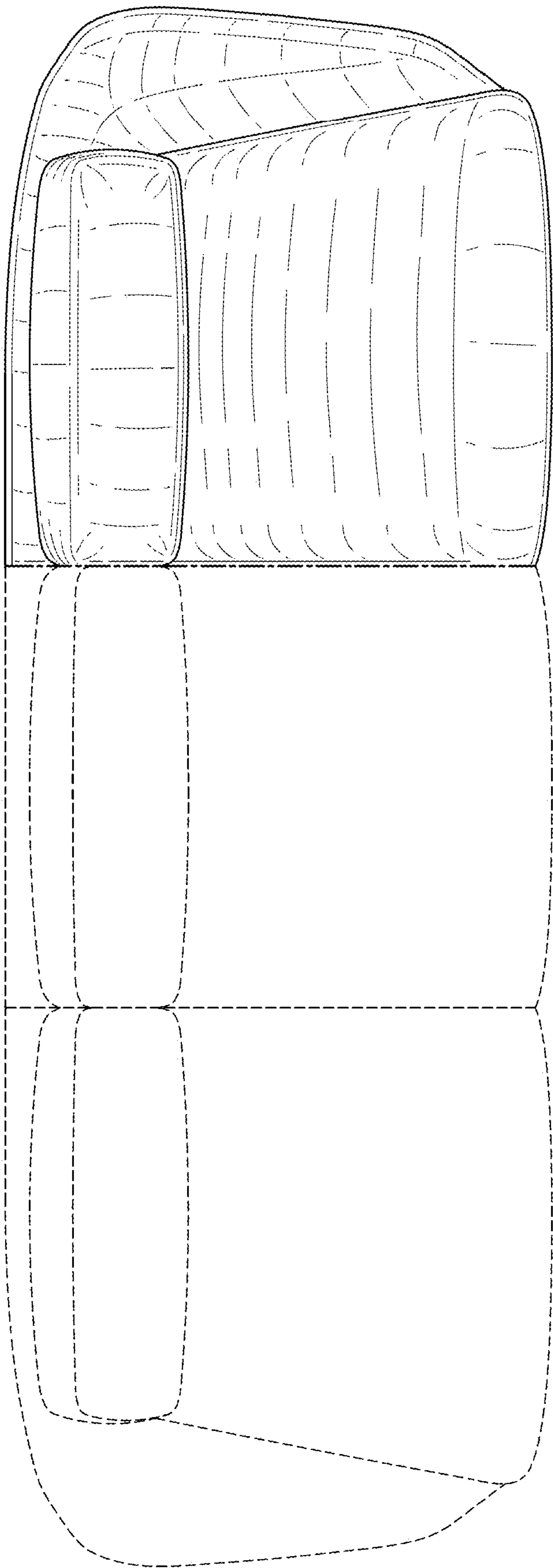


FIG. 13

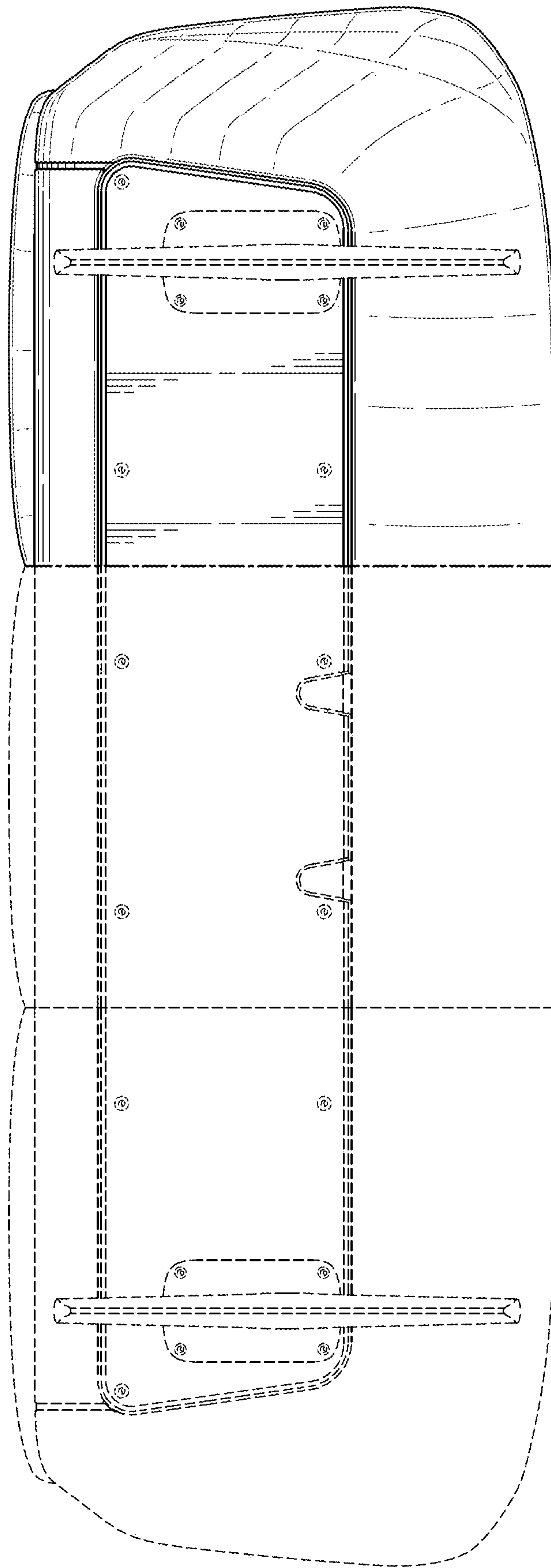


FIG. 14