

US00D964764S

(12) **United States Design Patent** (10) **Patent No.:** **US D964,764 S**
Miller et al. (45) **Date of Patent:** **** Sep. 27, 2022**

(54) **STOOL**
(71) Applicant: **Poppin, Inc.**, New York, NY (US)
(72) Inventors: **Jeffrey Frederick Miller**, New York, NY (US); **Matteo Bonacina**, New York, NY (US); **Adrian Gomez**, Edgewater, NJ (US)
(73) Assignee: **Poppin, Inc.**, New York, NY (US)
(**) Term: **15 Years**
(21) Appl. No.: **29/789,618**
(22) Filed: **Oct. 5, 2021**

Related U.S. Application Data

(62) Division of application No. 29/708,937, filed on Oct. 10, 2019, now Pat. No. Des. 935,214.
(51) **LOC (13) Cl.** **06-01**
(52) **U.S. Cl.**
USPC **D6/371**
(58) **Field of Classification Search**
USPC D6/349, 360, 369, 371, 373, 375, 716;
D21/521
CPC .. A47C 31/02; A47C 3/12; A47C 5/04; A47C
7/029
See application file for complete search history.

References Cited

U.S. PATENT DOCUMENTS

2,738,835 A * 3/1956 Eames A47C 3/12
297/218.4
3,387,887 A * 6/1968 Jakobsen A47C 3/12
297/448.2
D553,872 S * 10/2007 Martin D6/373
D564,248 S * 3/2008 Alter Molina D6/373

D571,117 S * 6/2008 Molina D6/375
D592,873 S * 5/2009 Olano Jauregui D6/373
D668,072 S * 10/2012 Kumazawa D6/373
D669,278 S * 10/2012 Kumazawa D6/373
D669,699 S * 10/2012 Stierli D6/373
D670,926 S * 11/2012 Ukmar D6/349
D729,532 S * 5/2015 Lievore D6/373
D780,492 S * 3/2017 Terada D6/692
D799,227 S * 10/2017 Martinez D6/373
D814,814 S * 4/2018 Spoelhof D6/349
D819,380 S * 6/2018 Chavarria D6/375
D825,943 S * 8/2018 Boonen D6/360
D831,365 S * 10/2018 Yao D6/373
D844,341 S * 4/2019 Tran D6/375
D844,357 S * 4/2019 Buffon D6/375
D859,021 S * 9/2019 Novak D6/369
D876,854 S * 3/2020 Baccolini D6/375
D889,874 S * 7/2020 Corrado D6/375
D907,392 S * 1/2021 Fioravanti D6/375
D907,393 S * 1/2021 Fioravanti D6/375
D930,379 S * 9/2021 Miller D6/375
D935,214 S * 11/2021 Miller D6/371

* cited by examiner

Primary Examiner — Kevin K Rudzinski
Assistant Examiner — Paul D Bohannon
(74) *Attorney, Agent, or Firm* — K&L Gates LLP

(57) **CLAIM**

The ornamental design for a stool, as shown and described.

DESCRIPTION

FIG. 1 is a perspective view of a stool.
FIG. 2 is a front view thereof.
FIG. 3 is a back view thereof.
FIG. 4 is a first side view thereof.
FIG. 5 is a second side view thereof.
FIG. 6 is a top view thereof; and,
FIG. 7 is a bottom view thereof.

1 Claim, 7 Drawing Sheets

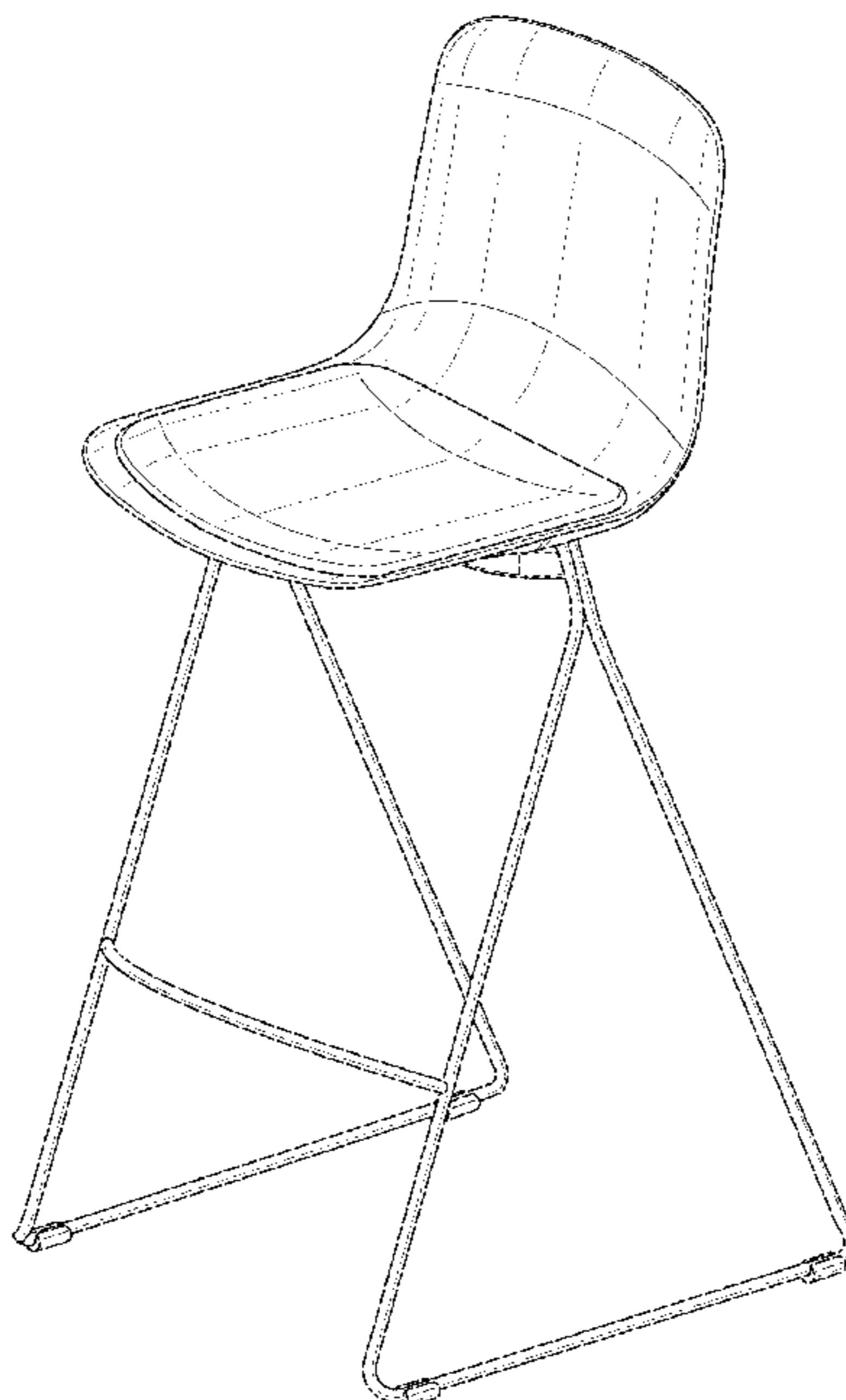




FIG. 1

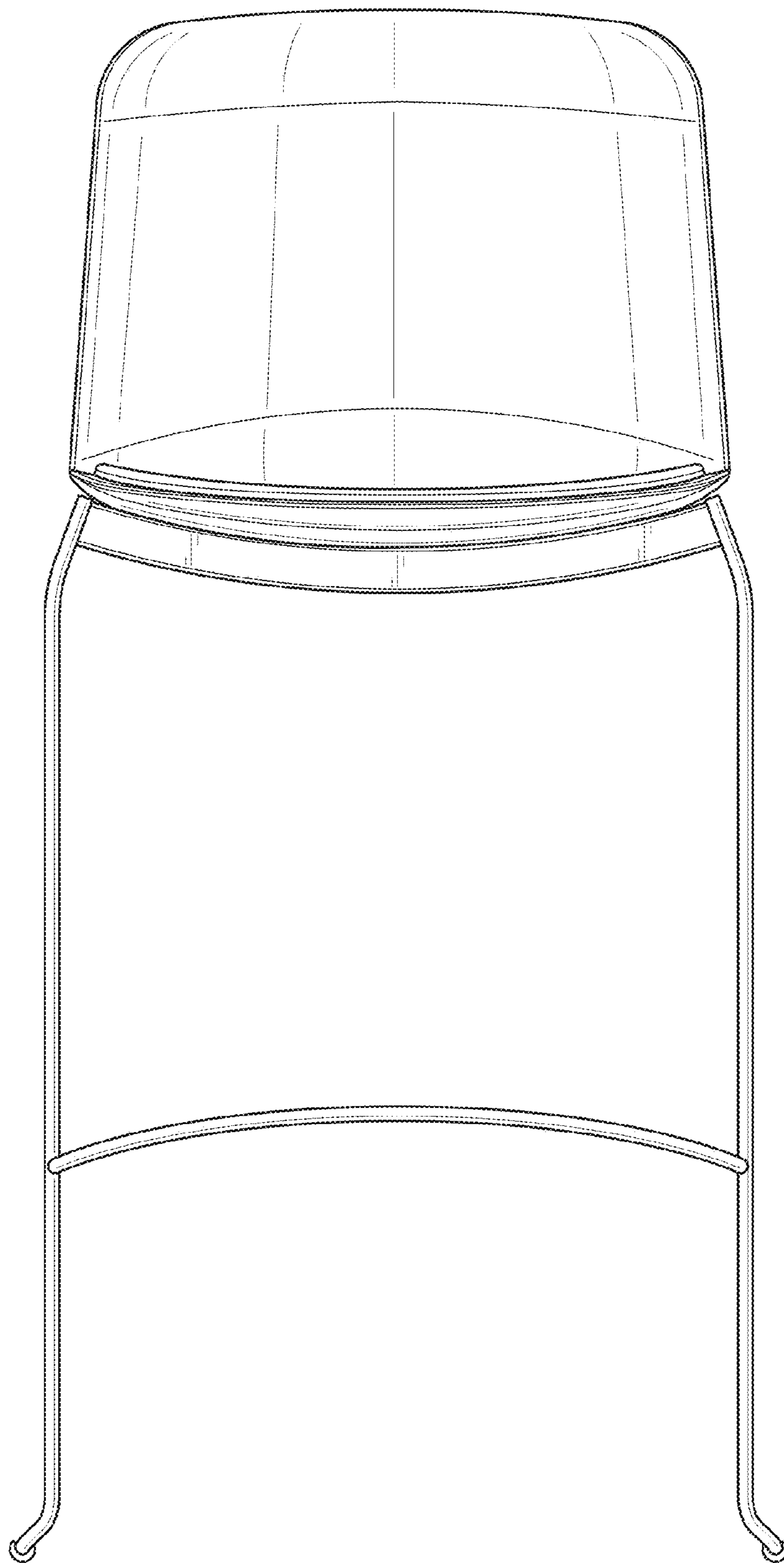


FIG. 2



FIG. 3

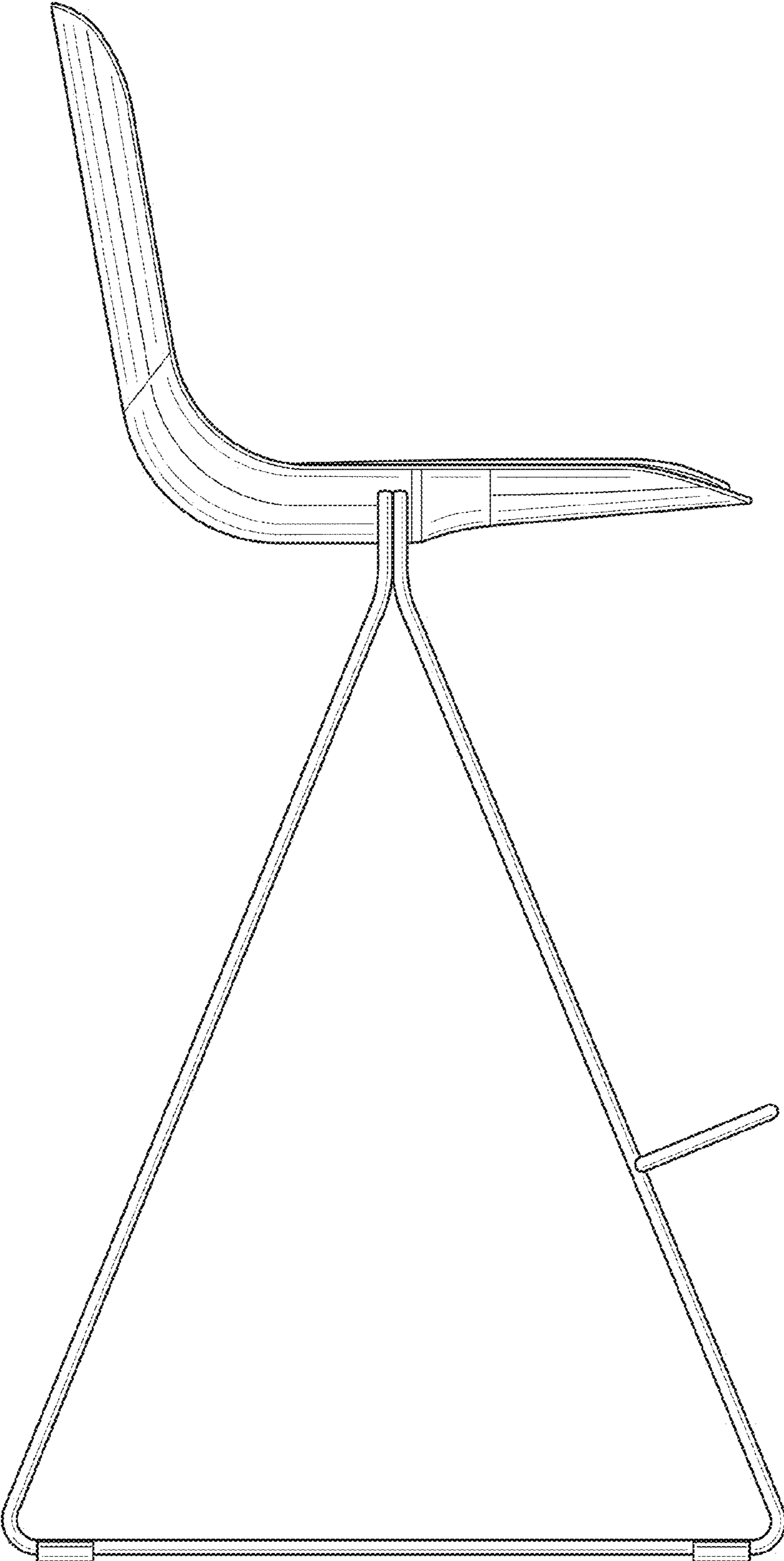


FIG. 4

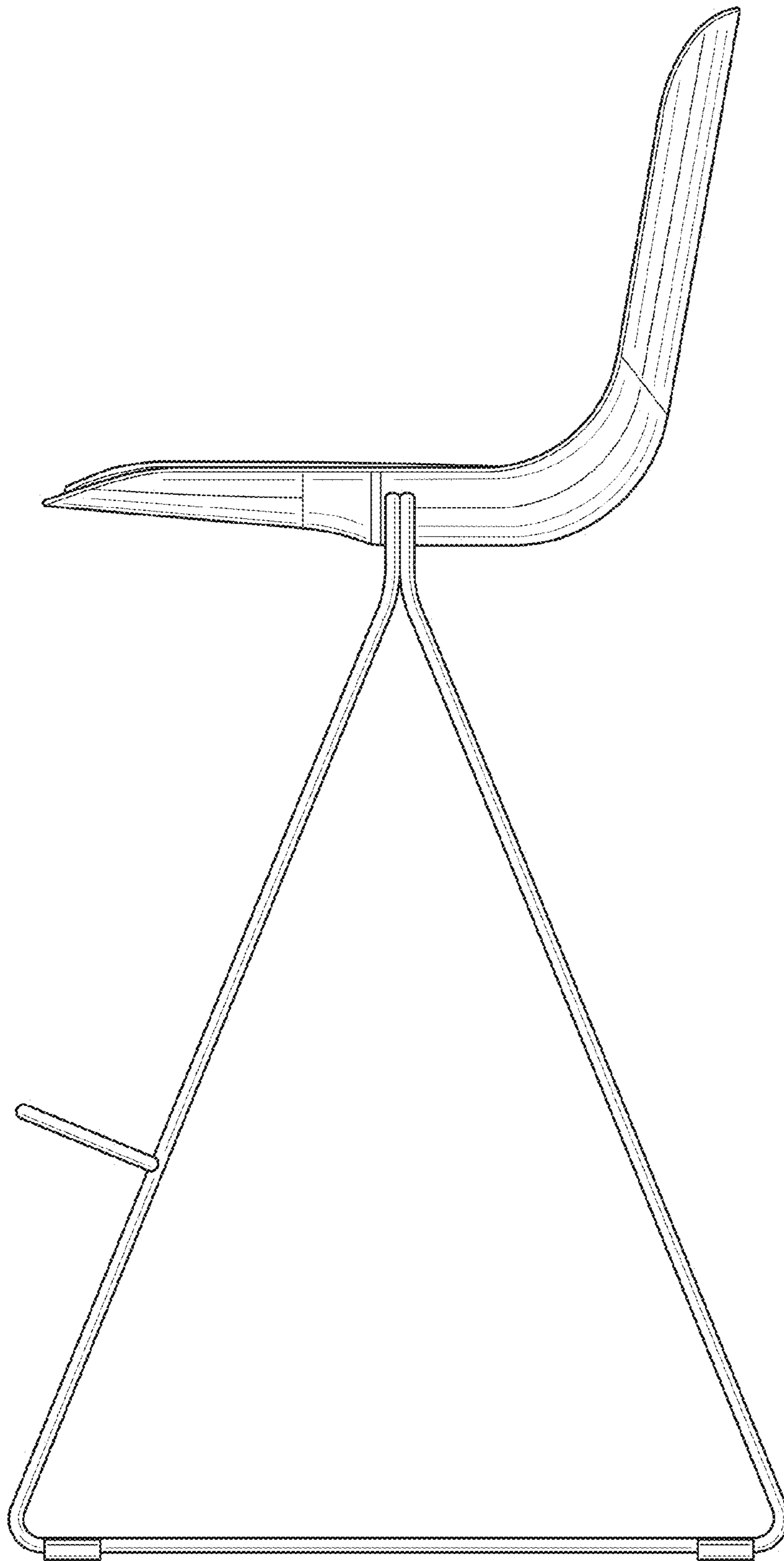


FIG. 5

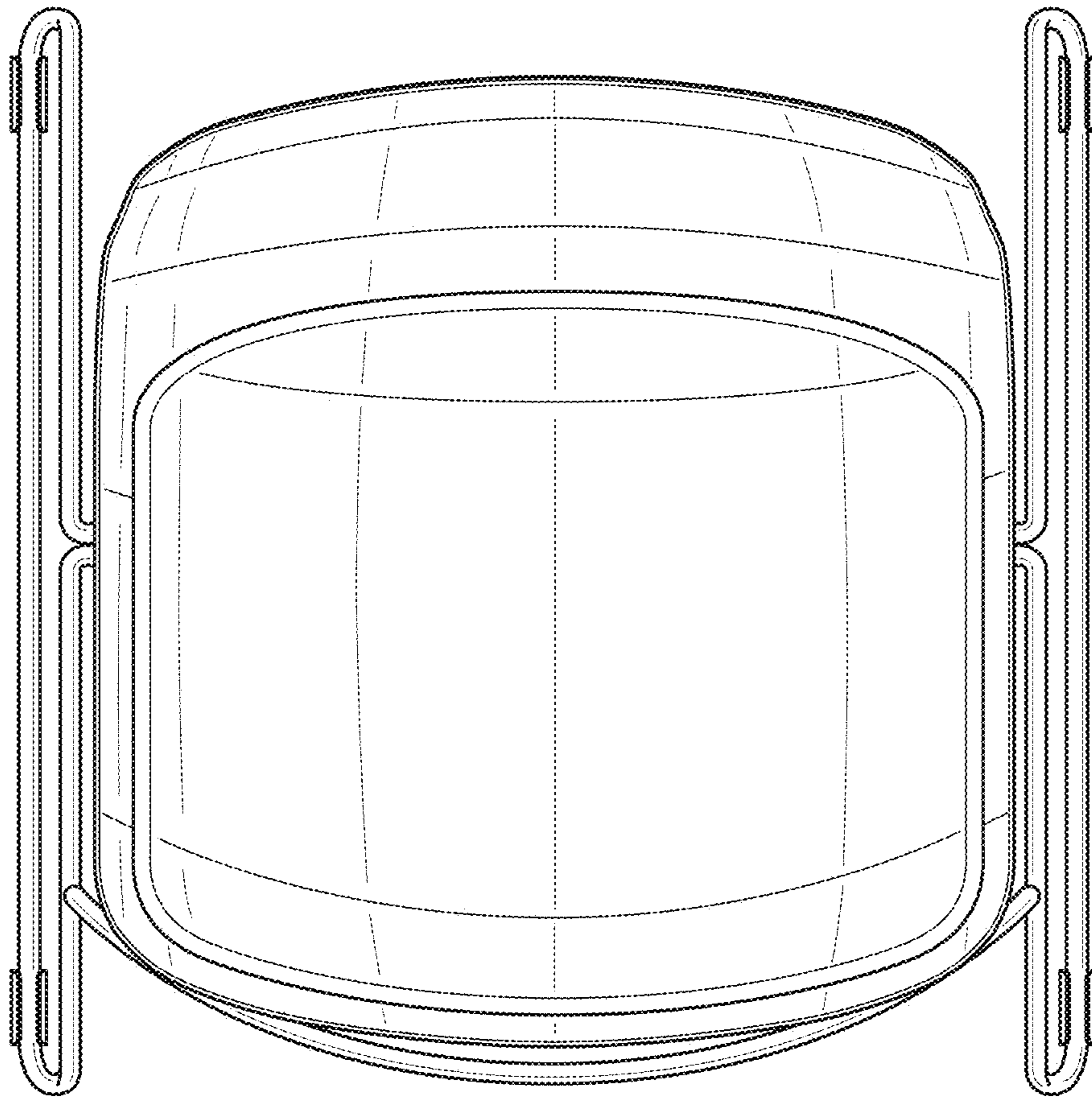


FIG. 6

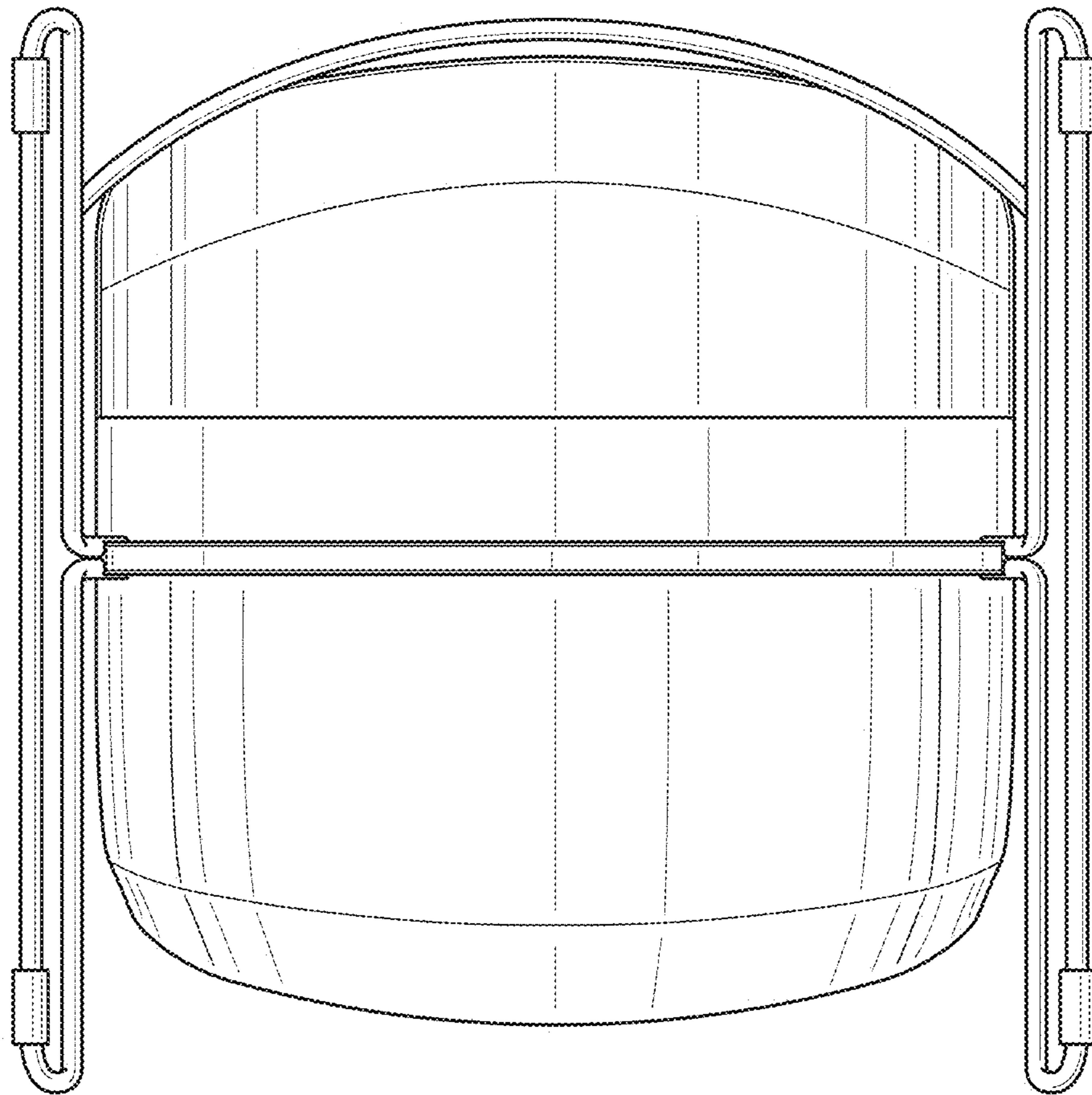


FIG. 7