



US00D964763S

(12) **United States Design Patent** (10) **Patent No.:** **US D964,763 S**
Jin (45) **Date of Patent:** **** Sep. 27, 2022**

(54) **ARMCHAIR**

FOREIGN PATENT DOCUMENTS

(71) Applicant: **Freestyle Outdoor Living Co., Ltd**,
Zhejiang Province (CN)

EM 008680276-0006 * 9/2021
GB 9008057475-0004 * 7/2020

(72) Inventor: **Ji Jin**, Zhejiang Province (CN)

OTHER PUBLICATIONS

(73) Assignee: **FREESTYLE OUTDOOR LIVING CO., LTD.**, Ningbo (CN)

Global Indoor chair (Rattan) [online], [site visited Jan. 27, 2022], Available from internet, URL: <<https://teakwarehouse.com/furniture/global-indoor-chair-rattan/>> (Year: 2022).*

(**) Term: **15 Years**

Togo natural rattan armchair [online], [site visited Jan. 27, 2022], Available from internet, URL: <<https://retreatdistribution.com.au/togo-natural-rattan-armchair.html>> (Year: 2022).*

(21) Appl. No.: **29/755,250**

* cited by examiner

(22) Filed: **Oct. 19, 2020**

(51) **LOC (13) Cl.** **06-01**

Primary Examiner — Cynthia Ramirez

(52) **U.S. Cl.**

Assistant Examiner — Xavier Marti-Santos

USPC **D6/369**

(74) *Attorney, Agent, or Firm* — Tarolli, Sundheim, Covell & Tummino LLP

(58) **Field of Classification Search**

USPC D6/334, 335, 336, 349, 358, 360, 361,
D6/369, 370, 374, 375, 378, 379, 380,
D6/650, 716, 716.1, 716.3
CPC A47C 4/02; A47C 4/03; A47C 3/12; A47C
5/04; A47C 5/12; A47C 4/024; A47C
4/028; A47C 7/54; A47C 1/00; A47C
3/38; A47C 7/006; A47C 13/00; A47C
15/00

(57) **CLAIM**

The ornamental design for an armchair, as shown and described.

See application file for complete search history.

DESCRIPTION

(56) **References Cited**

U.S. PATENT DOCUMENTS

D79,038 S * 7/1929 Kirkpatrick D6/369
D221,641 S * 8/1971 Fisher D6/373
D620,267 S * 7/2010 Terrutty D6/358
D720,149 S * 12/2014 Armani D6/369
D722,441 S * 2/2015 Kirar D6/334
D798,618 S * 10/2017 Goodrum D6/336
D799,228 S * 10/2017 Lewis D6/364
D832,622 S * 11/2018 Goodrum D6/643
D834,839 S * 12/2018 Goodrum D6/332
D839,624 S * 2/2019 Aubry D6/369
D844,340 S * 4/2019 Zhao D6/370
D872,495 S * 1/2020 White, III D6/369
D928,522 S * 8/2021 Li D6/365

FIG. 1 is a front right perspective view of an armchair in accordance with one example embodiment of the present disclosure;

FIG. 2 is a front elevation view thereof;

FIG. 3 is a rear elevation view thereof;

FIG. 4 is a right side elevation view thereof;

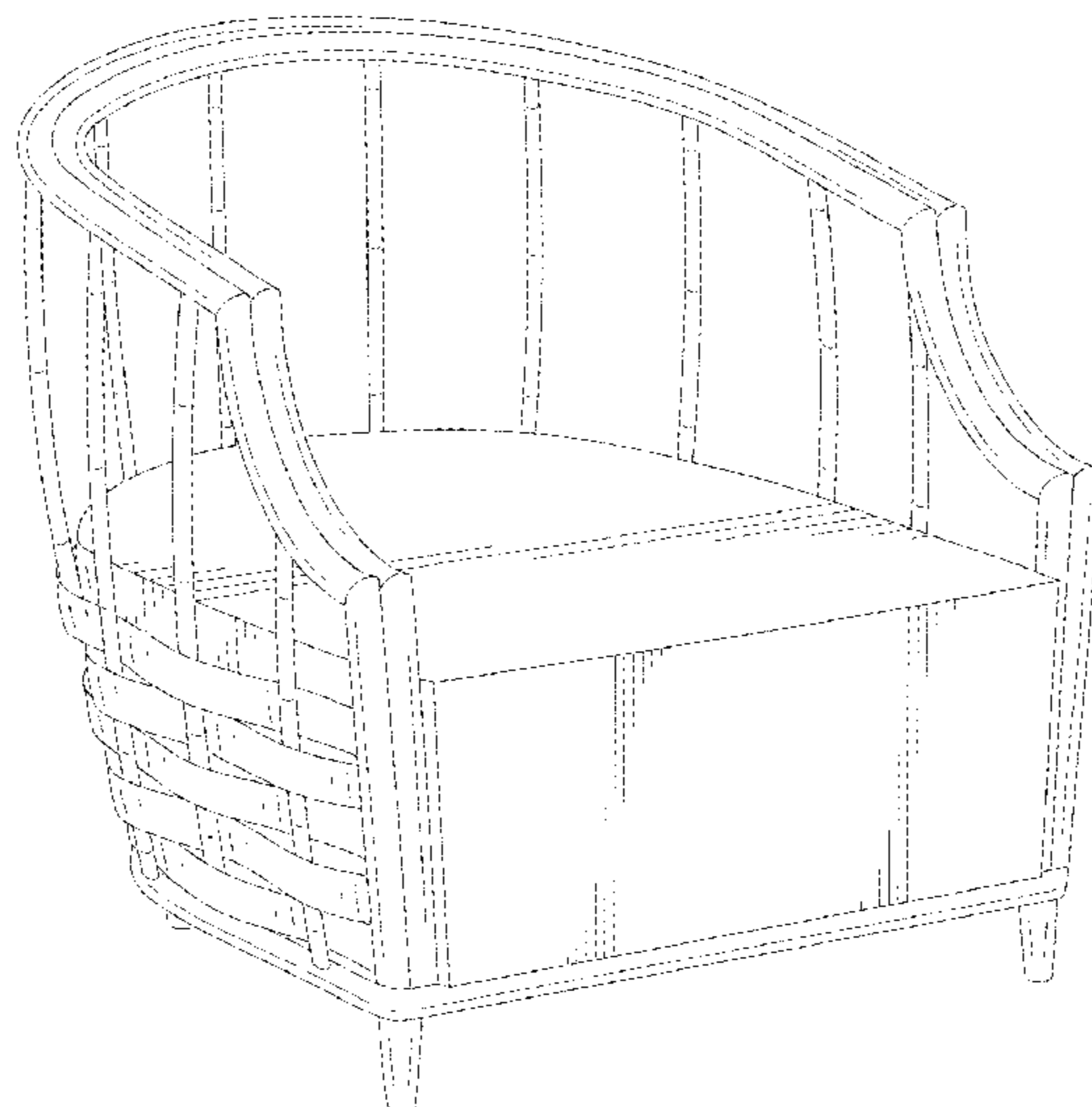
FIG. 5 is a left side elevation view thereof;

FIG. 6 is a top plan view thereof; and,

FIG. 7 is a bottom plan view thereof.

The broken lines shown in the figures are for the purpose of illustrating portions of the armchair and form no part of the claimed design.

1 Claim, 7 Drawing Sheets



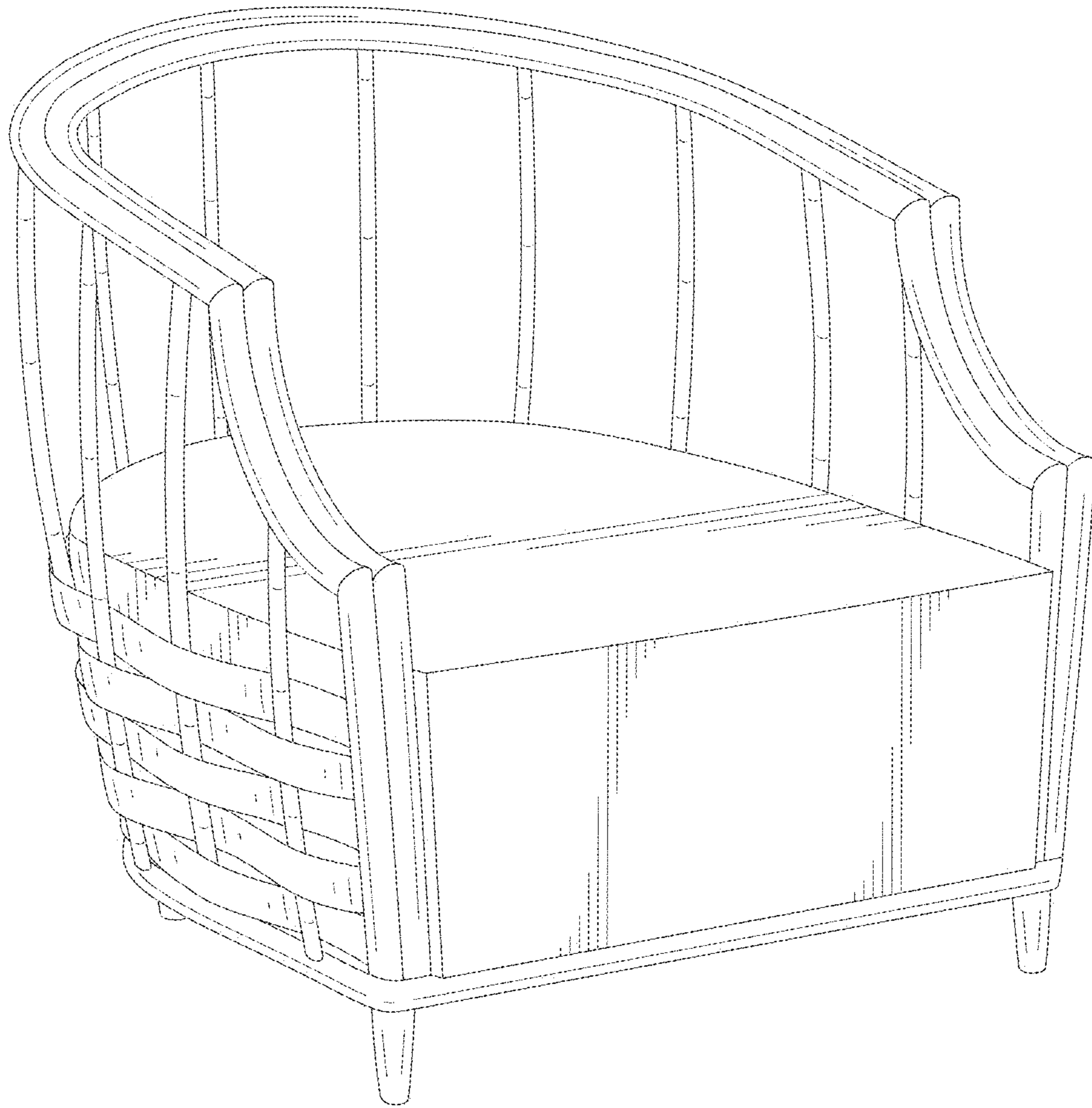


FIG.1

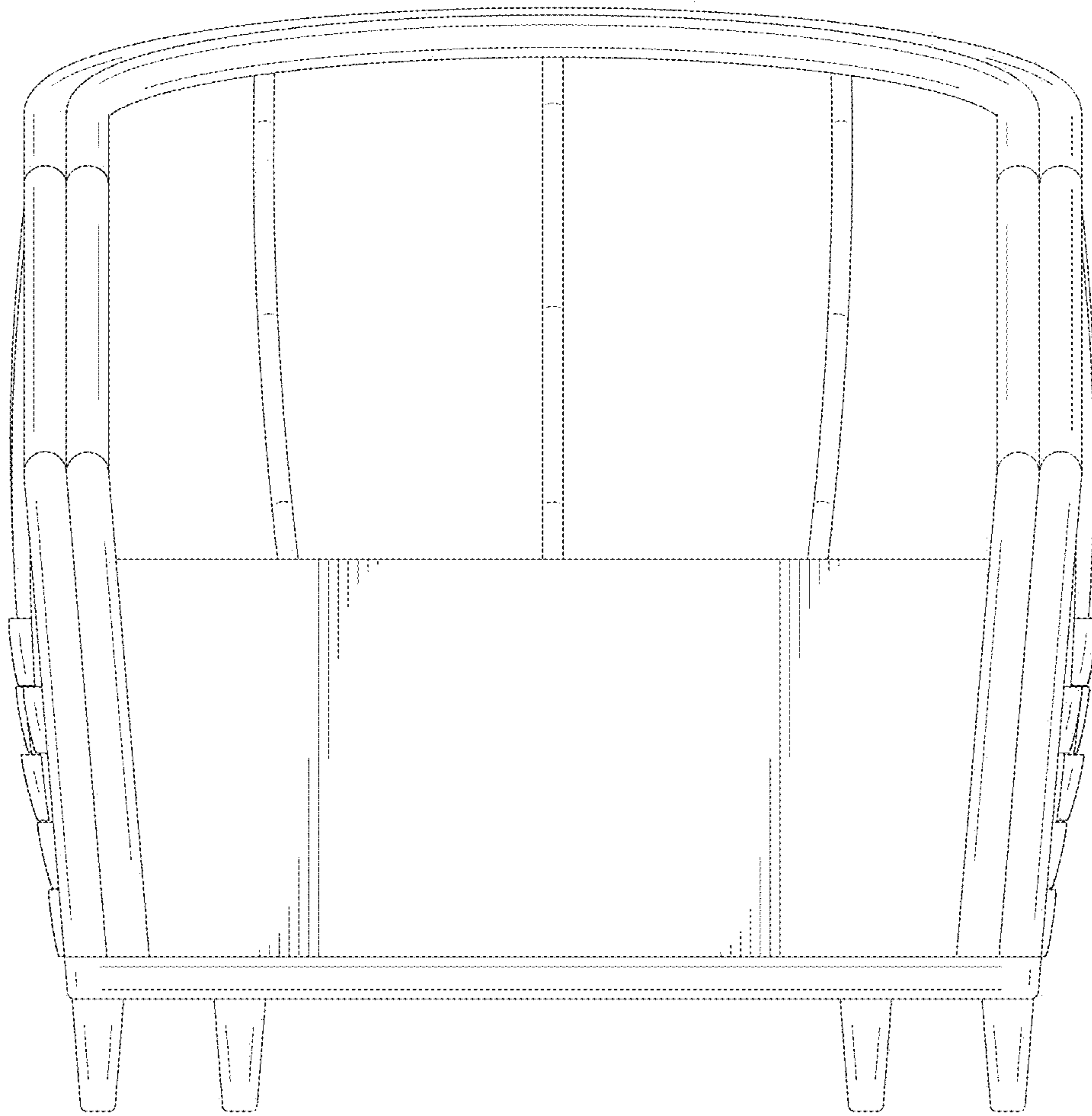


FIG.2

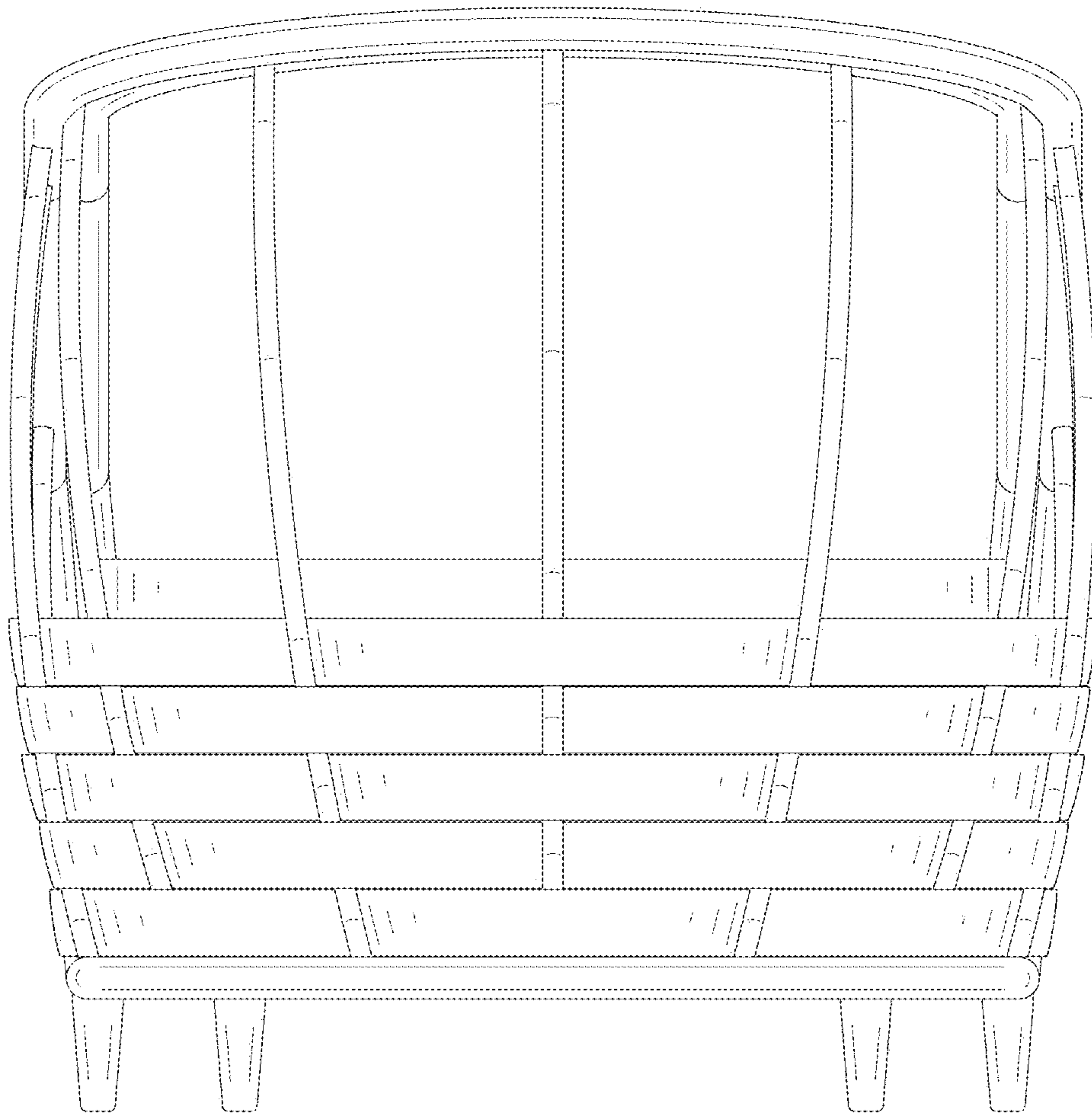


FIG.3

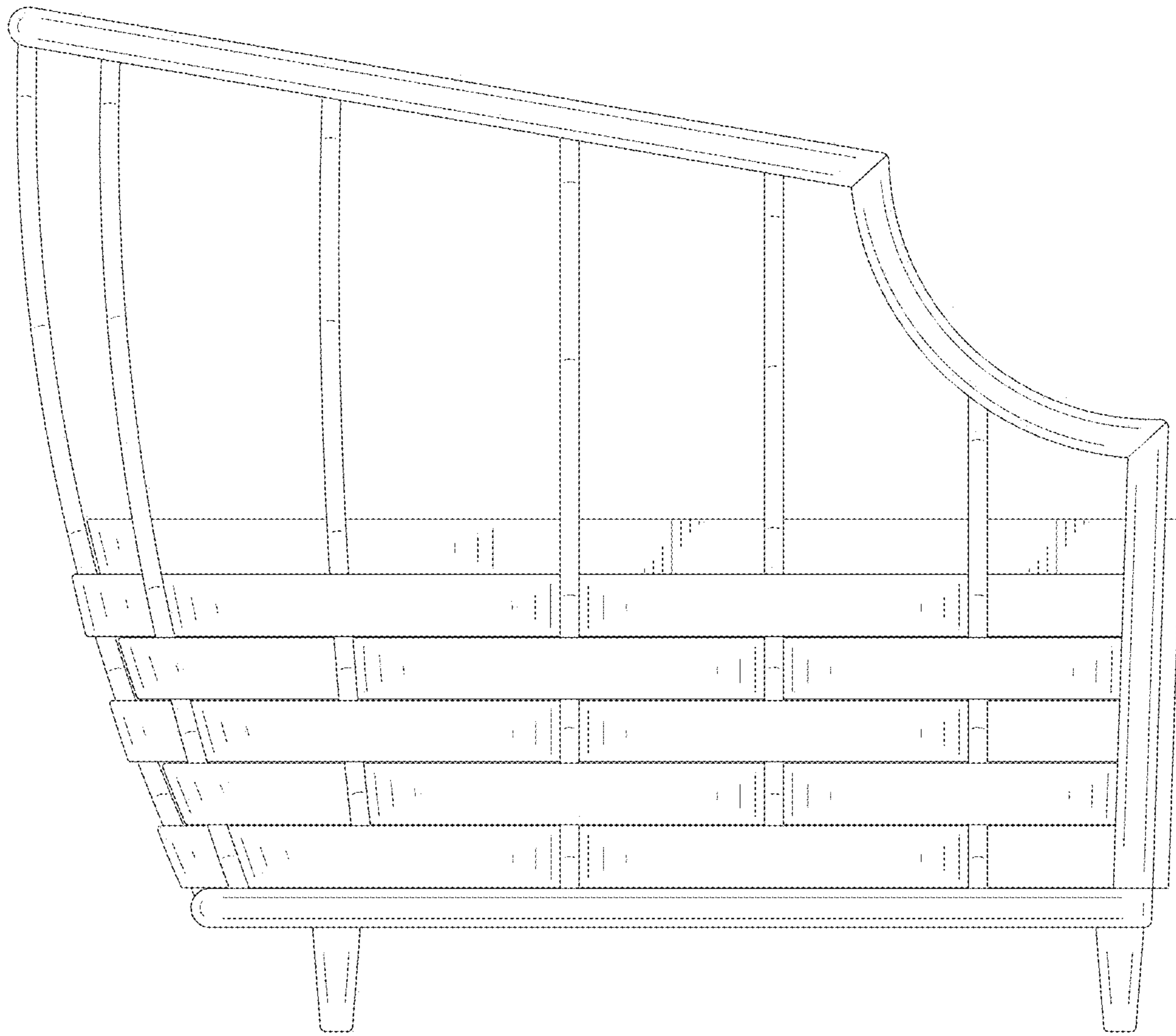


FIG.4

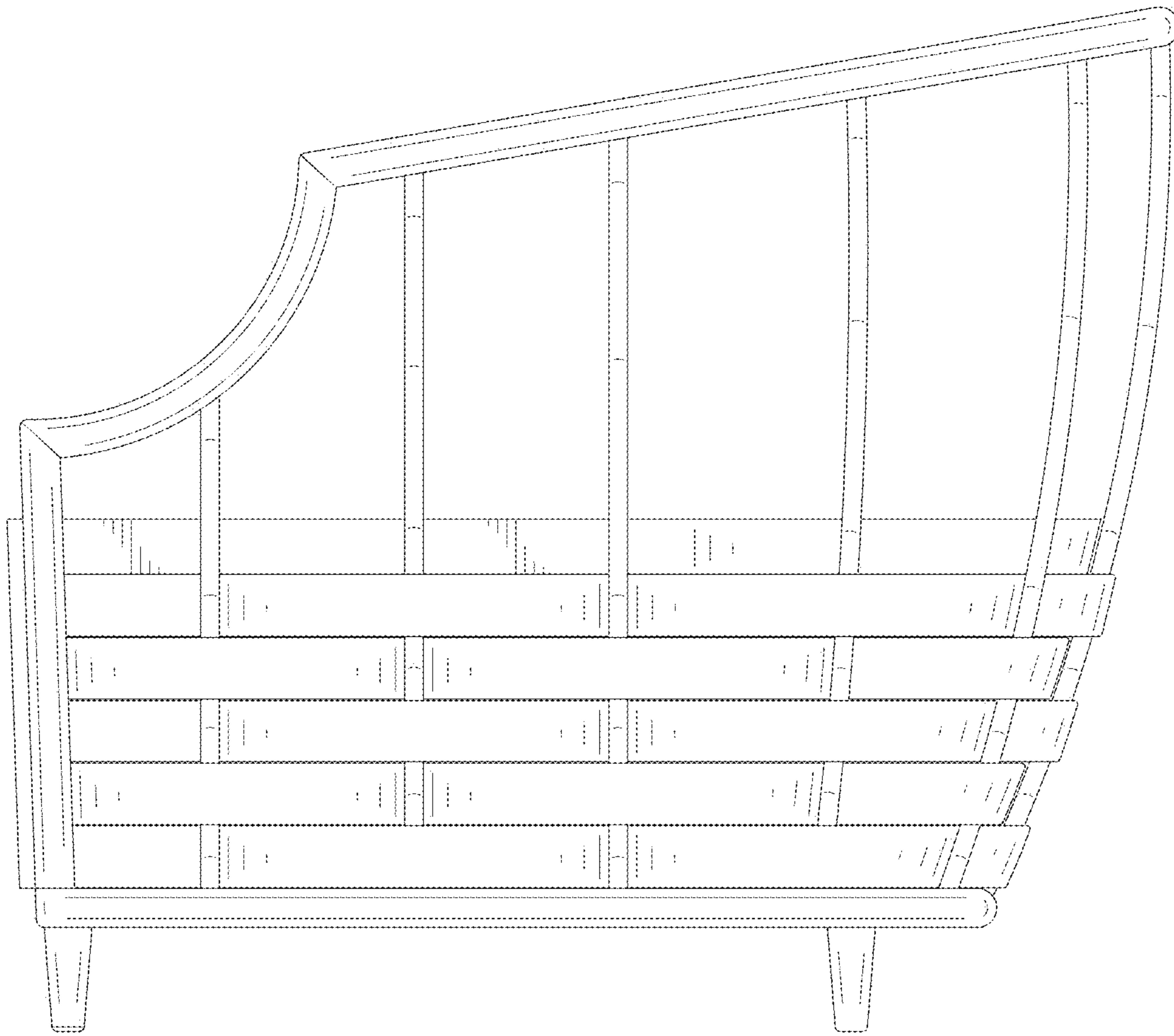


FIG. 5

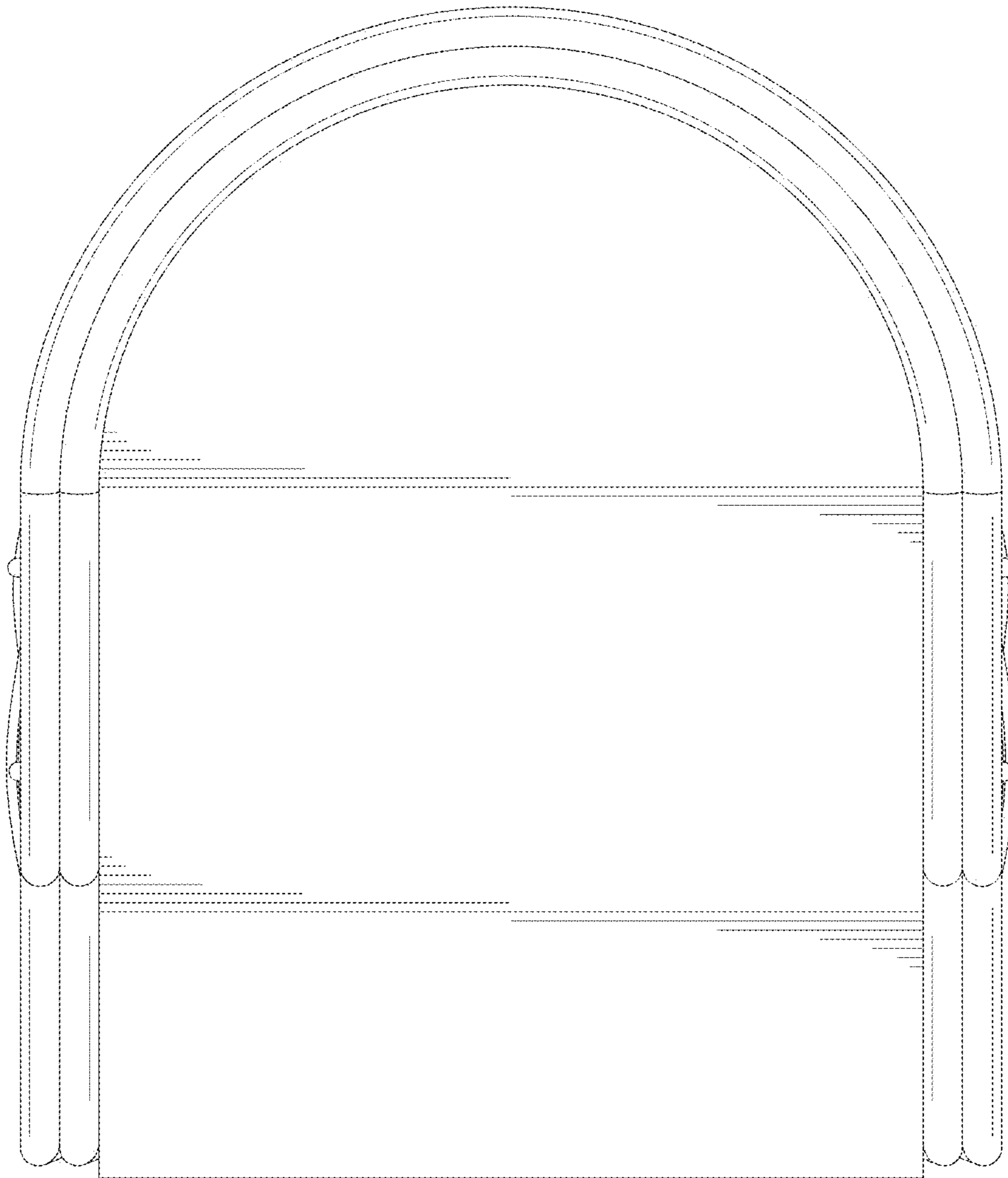


FIG.6

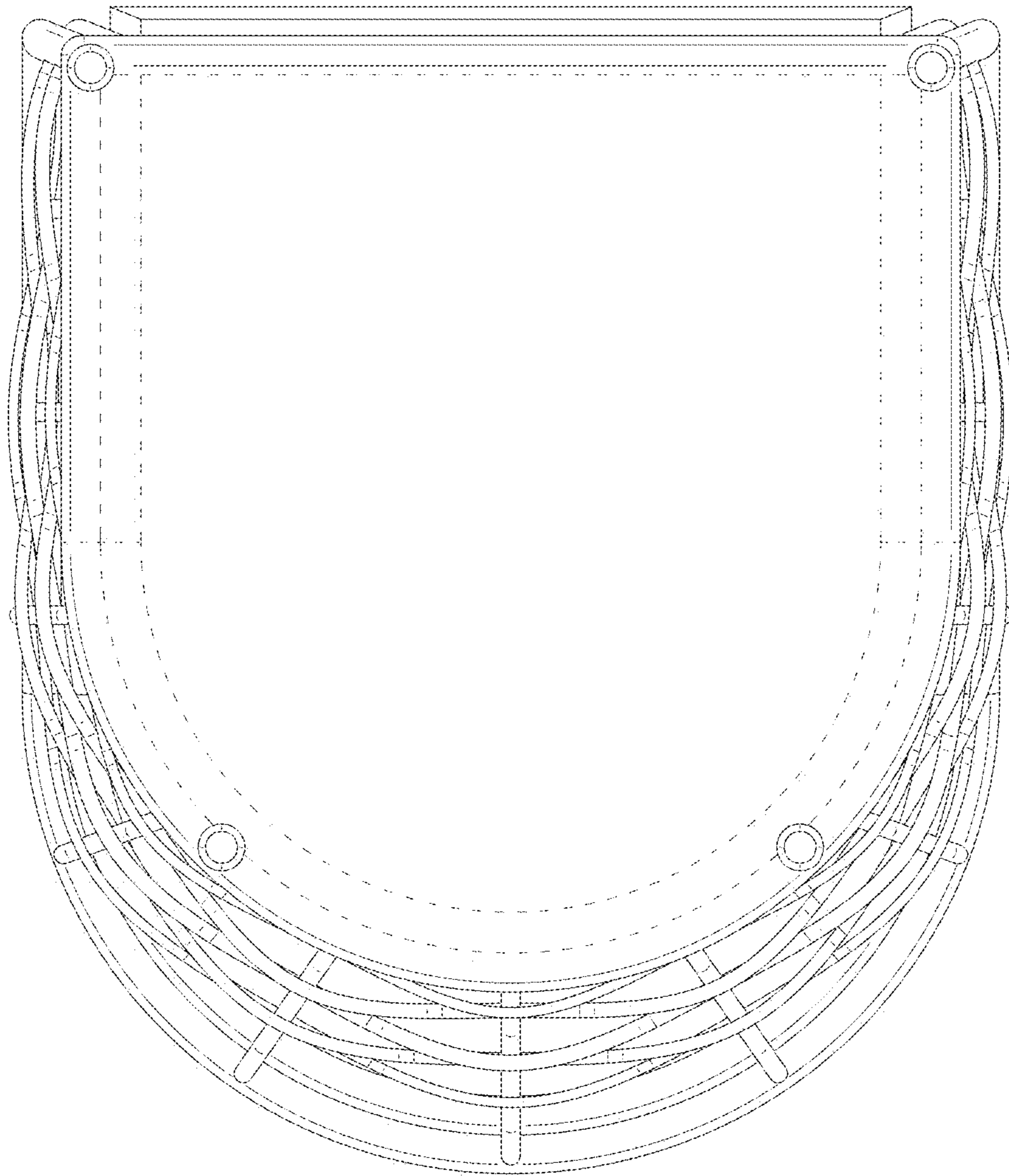


FIG.7