



US00D964760S

(12) **United States Design Patent**
Guo

(10) **Patent No.: US D964,760 S**

(45) **Date of Patent: ** Sep. 27, 2022**

(54) **ROCKING CHAIR**

(71) Applicant: **Ninghao Guo**, Ningbo (CN)

(72) Inventor: **Ninghao Guo**, Ningbo (CN)

(**) Term: **15 Years**

(21) Appl. No.: **29/757,027**

(22) Filed: **Nov. 2, 2020**

(51) **LOC (13) Cl.** **06-01**

(52) **U.S. Cl.**
USPC **D6/348**

(58) **Field of Classification Search**

USPC D6/333, 334, 341, 344, 345, 347, 348,
D6/367, 371, 373, 374, 375, 382, 385,
D6/386, 389, 715, 716, 718; D21/412,
D21/419, 521, 688, 814, 823, 824
CPC A47C 3/02; A47C 3/023; A47C 3/025;
A47C 3/0255; A47C 3/029; A47C 3/12;
A47C 5/04; A47C 5/043; A47C 5/046;
A47C 7/54; A47C 17/84; A47D 13/10;
A47D 13/107; A47D 13/105; A47D 1/08;
A47D 1/10; A47D 9/00; A47D 9/02;
A47D 9/04; A47D 11/00; A47D 11/005;
A63G 9/00; A63G 13/02

See application file for complete search history.

(56) **References Cited**

U.S. PATENT DOCUMENTS

D258,179 S * 2/1981 Baker D6/348
D283,565 S * 4/1986 Wilson D6/348
D330,466 S * 10/1992 Miller D6/373
D556,465 S * 12/2007 Massaud D6/348
D681,355 S * 5/2013 Fernandes D6/348
D869,866 S * 12/2019 Wang D6/348

D885,777 S * 6/2020 Wang D6/348
D917,901 S * 5/2021 Li D6/348
D920,689 S * 6/2021 Solano D6/348

OTHER PUBLICATIONS

Leisure made Talbot set of 2, available in lowes.com, review date Mar. 11, 2021, site visited Jul. 7, 2022, URL:https://www.lowes.com/pd/Leisure-Made-Talbot-Set-of-2-Wicker-Metal-Rocking-Chairs-with-Tan-Solartex-Cushioned-Seat/1002655828 (Year: 2021).*
Indio Metal Rocking Lounge Chair, available in potterybarn.com, site visited Jul. 7, 2022, URL:https://www.potterybarn.com/products/indio-metal-rocking-chair-slate/?clickid=UZx0H7S8cxyIWlnyqx3noQc4UkDwdWzmiQ6%3Axo0&irgwc=1&cm_c%E2%80%A6 (Year : 2022).*
Glenbrook Mid Century Wooden Rocking Chair, available in amazon.ca, review date of Mar. 28, 2022, site visited Jul. 7, 2022, URL:https://www.amazon.ca/Glenbrook-Century-Rocking-Outdoor-Seating/dp/B08SYS3R29 (Year: 2022).*

* cited by examiner

Primary Examiner — Mary Ann Calabrese

Assistant Examiner — Mark David Wolfley

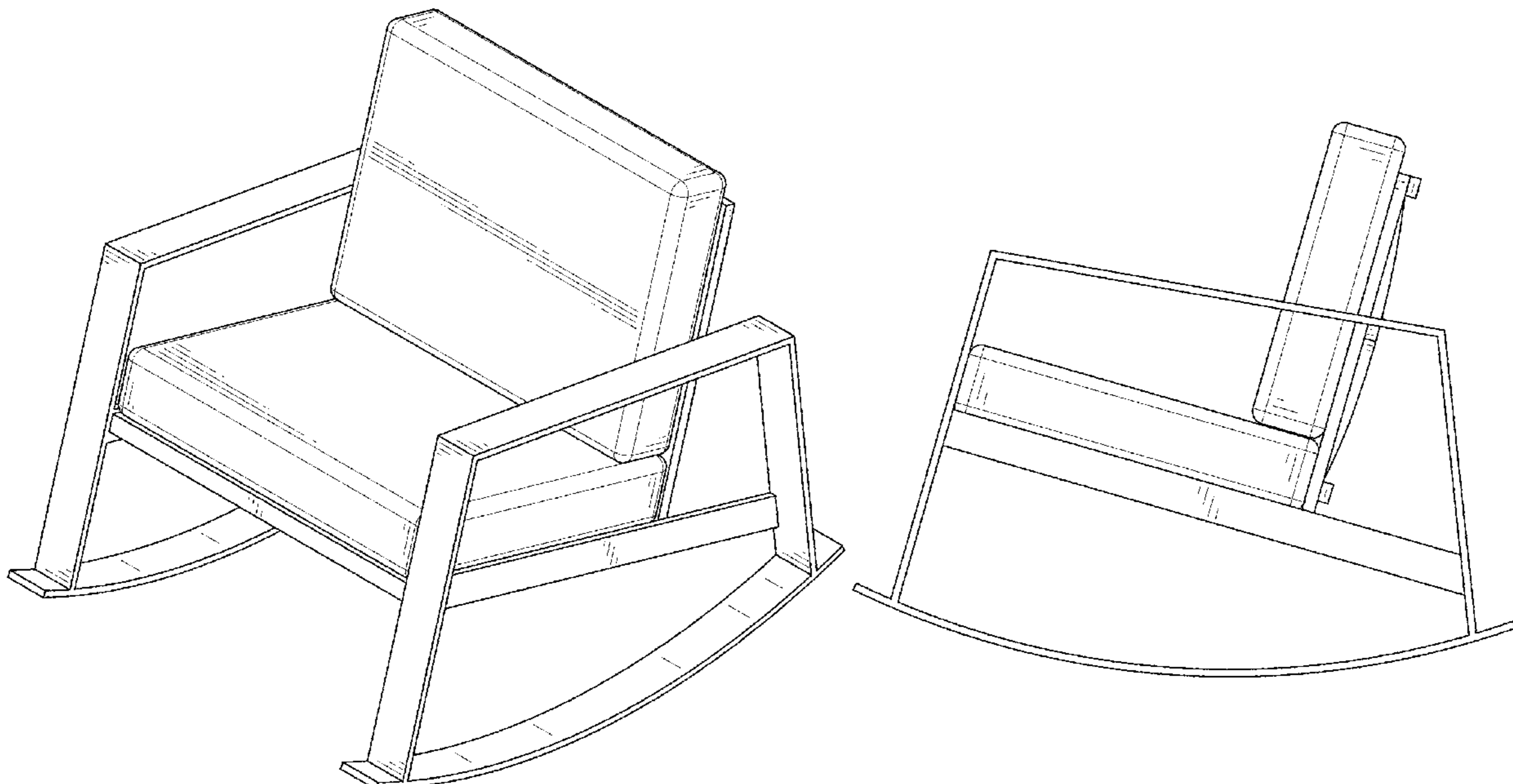
(57) **CLAIM**

The ornamental design for a rocking chair, as shown and described.

DESCRIPTION

FIG. 1 is a front, right side, top perspective view of a rocking chair showing my new design;
FIG. 2 is a rear, left side, bottom perspective view thereof;
FIG. 3 is a front elevational view thereof;
FIG. 4 is a rear elevational view thereof;
FIG. 5 is a left side elevational view thereof;
FIG. 6 is a right side elevational view thereof;
FIG. 7 is a top plan view thereof; and,
FIG. 8 is a bottom plan view thereof.

1 Claim, 8 Drawing Sheets



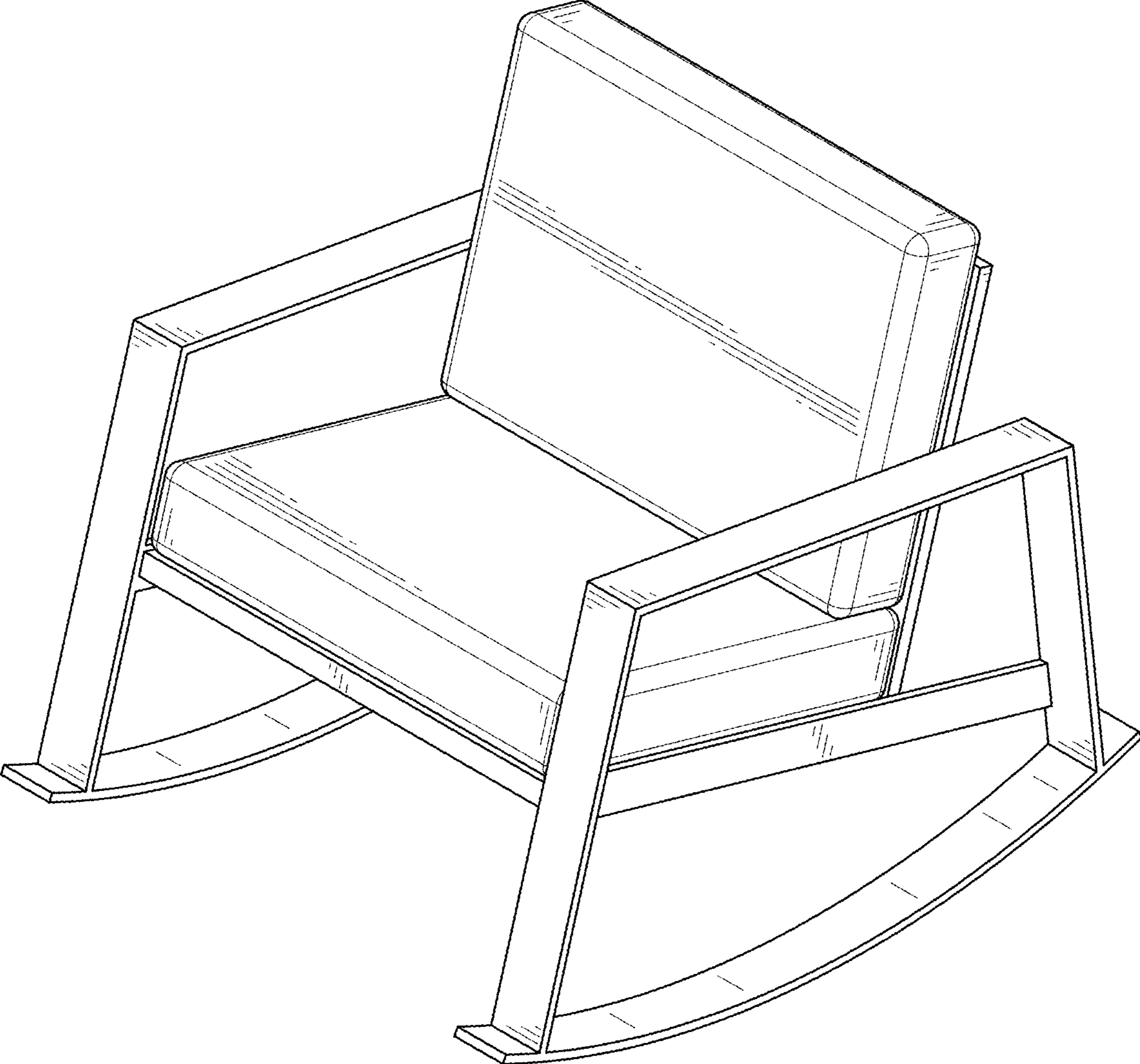


FIG.1

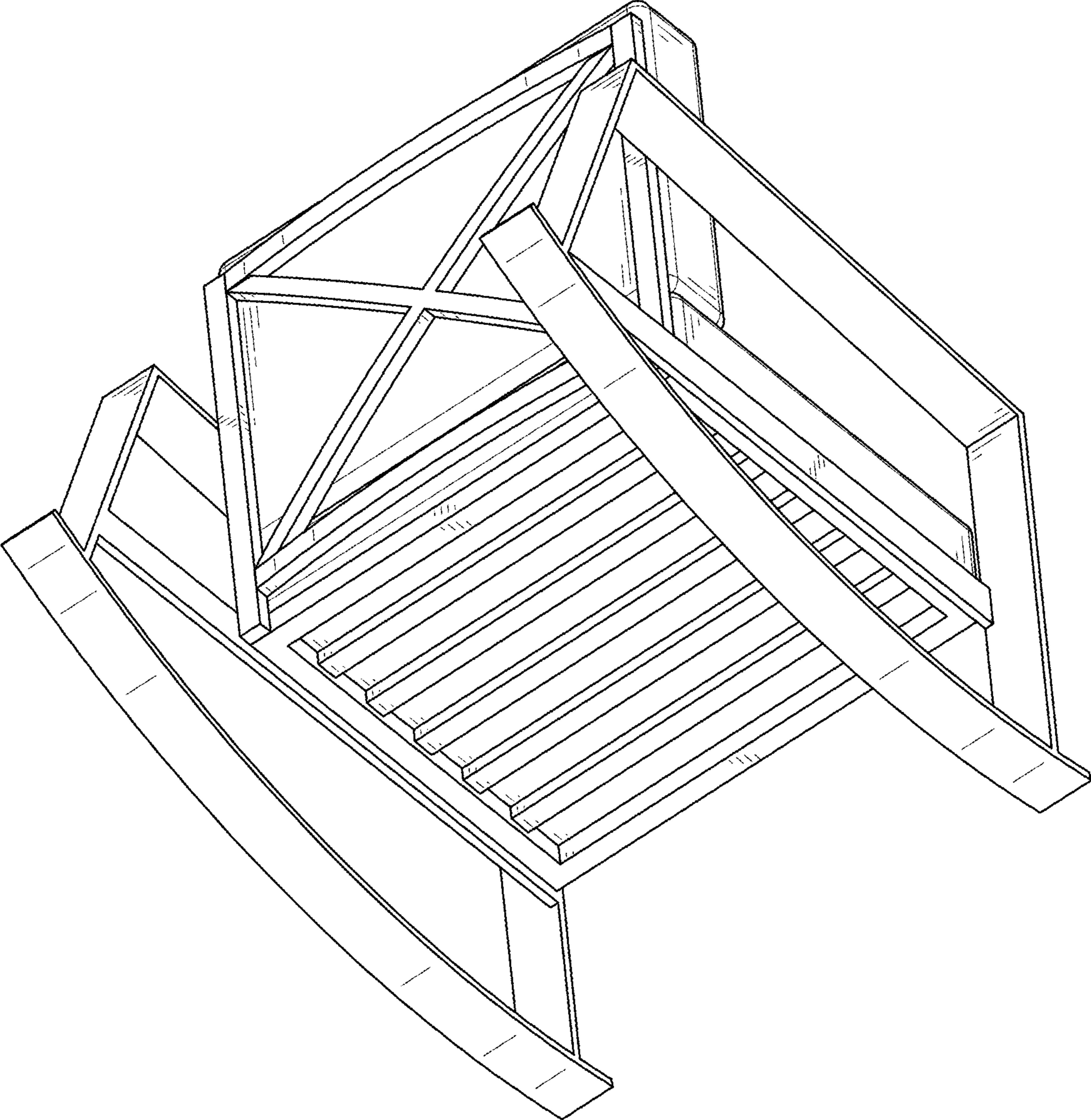


FIG.2

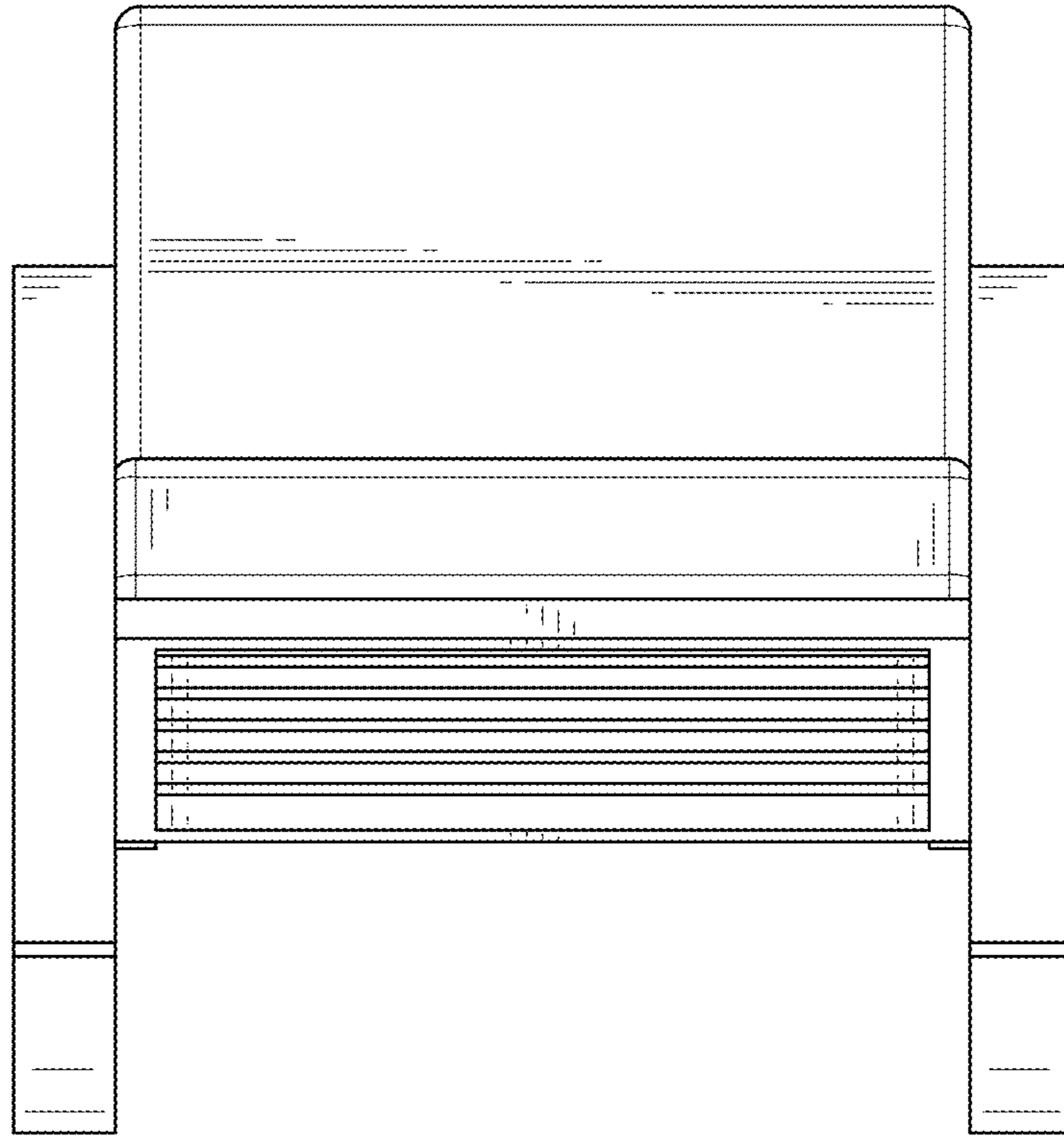


FIG.3

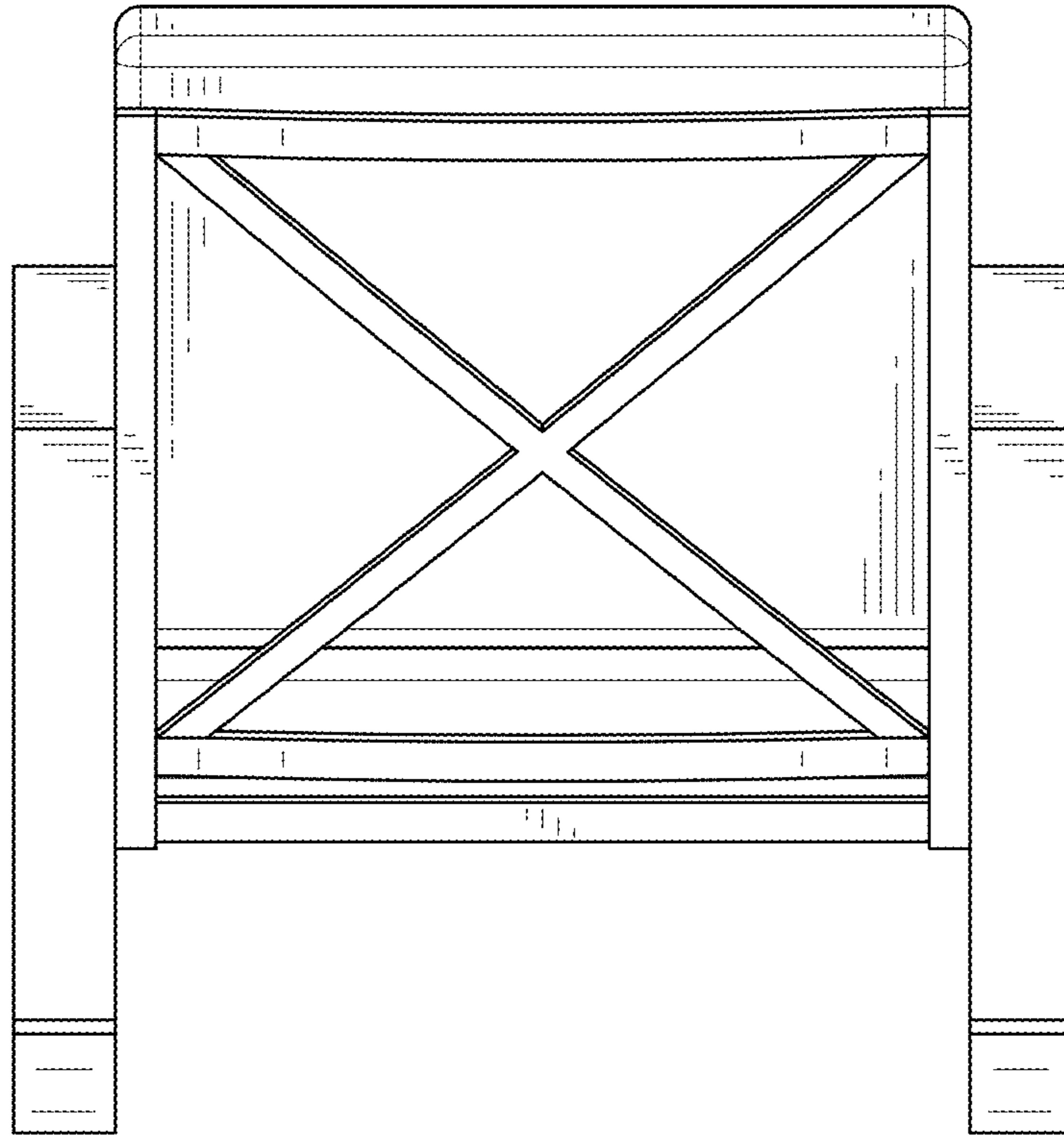


FIG.4

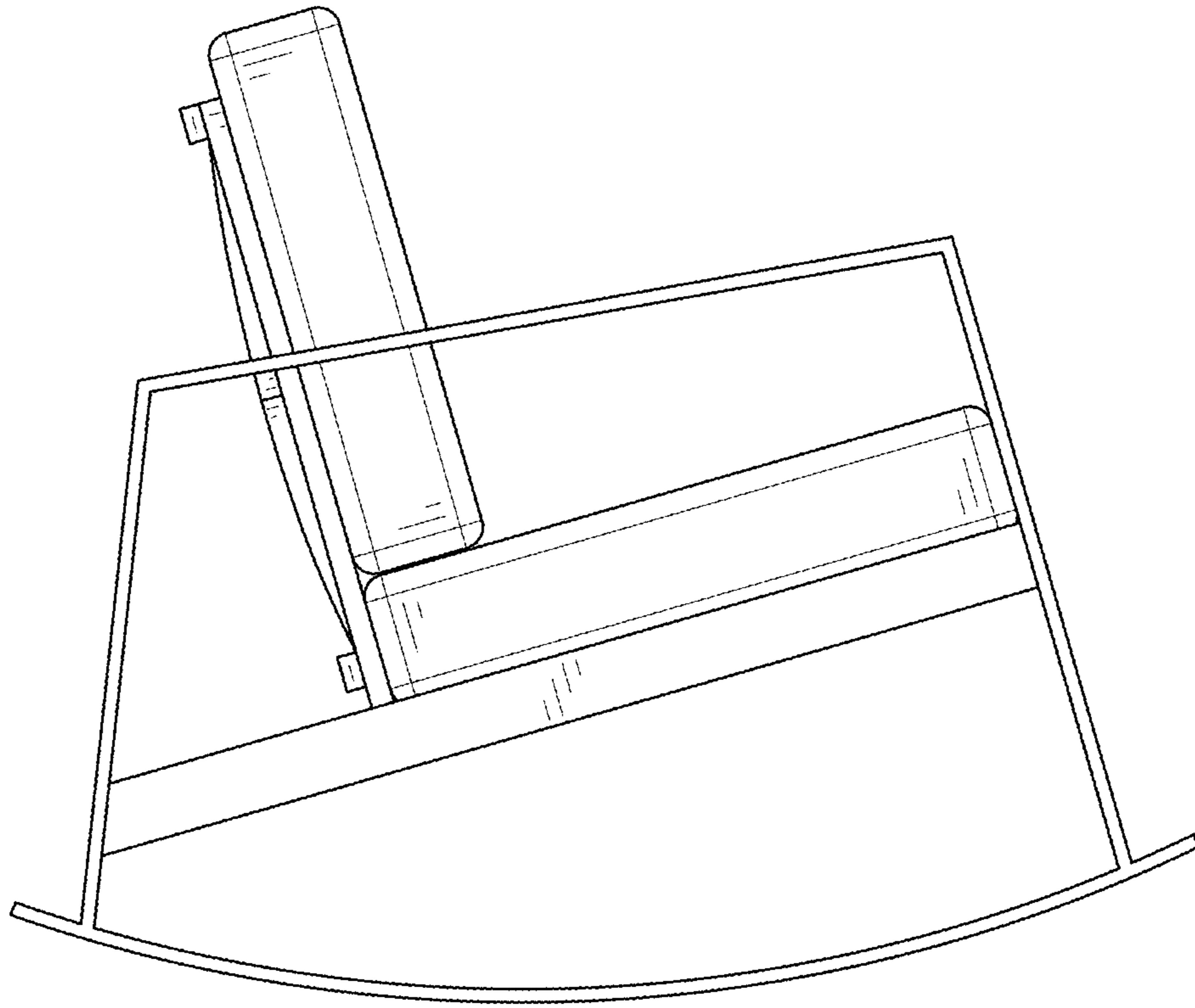


FIG.5

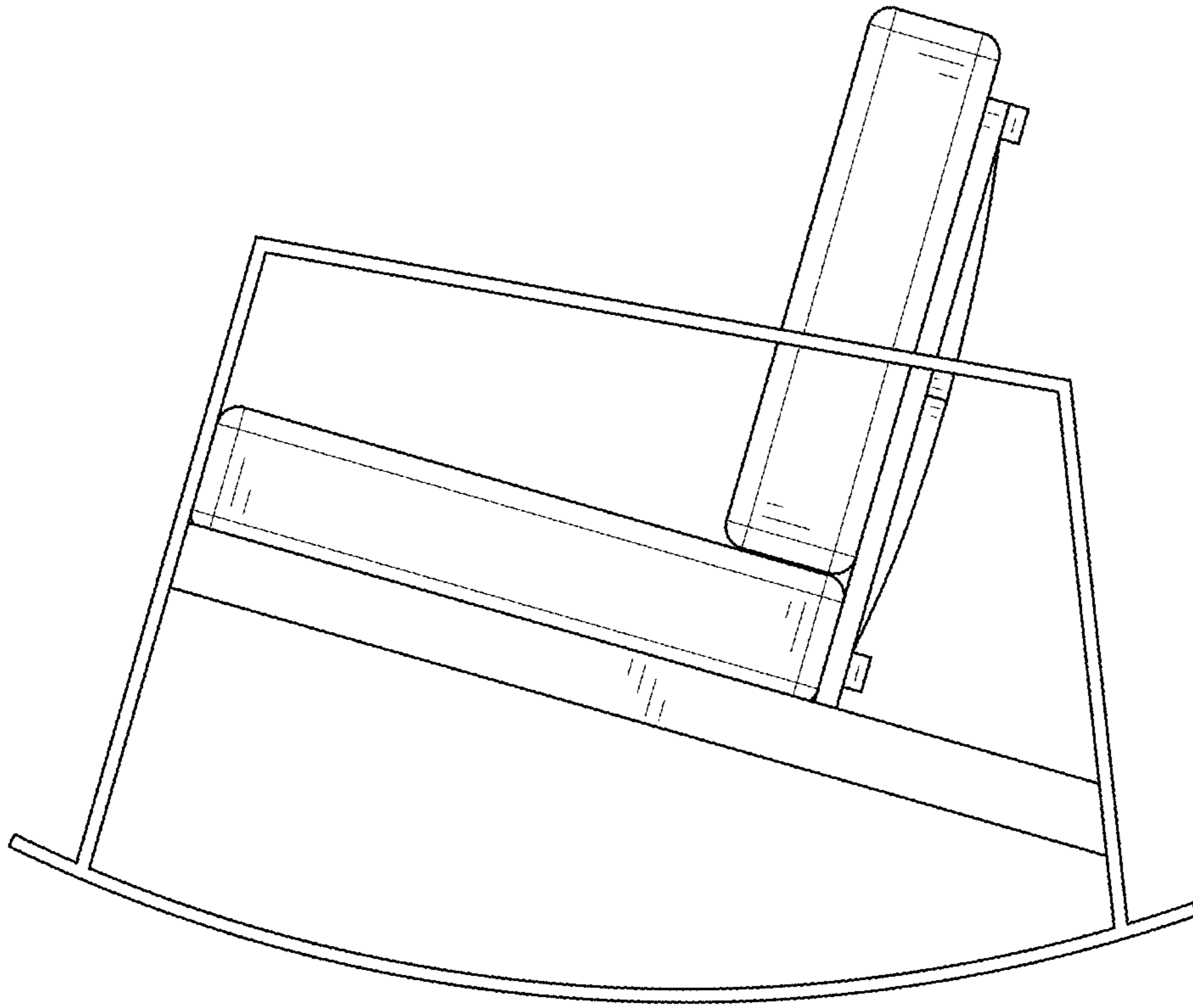


FIG.6

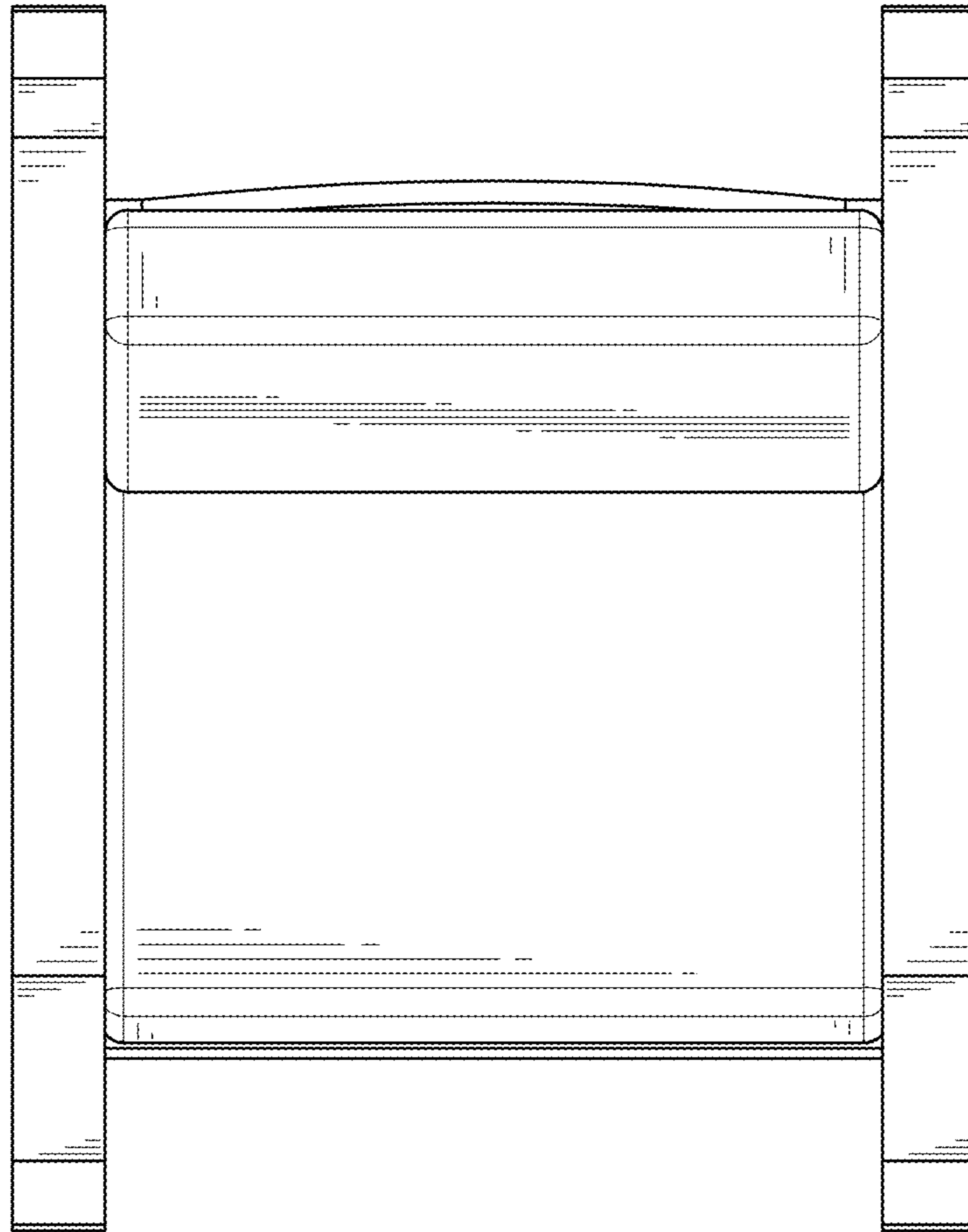


FIG. 7

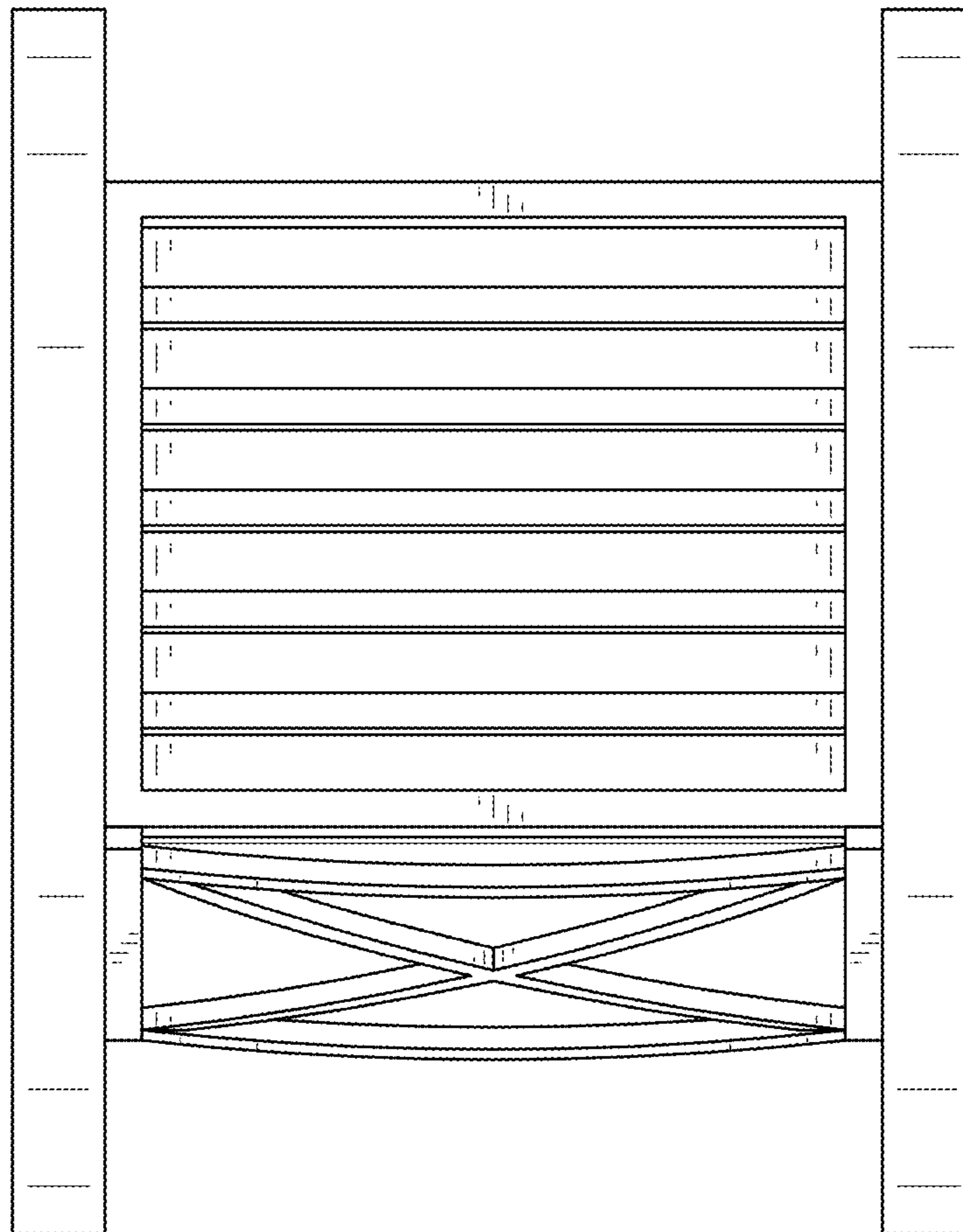


FIG.8