



US00D964759S

(12) **United States Design Patent**
Kruithof et al.

(10) **Patent No.:** **US D964,759 S**

(45) **Date of Patent:** **** Sep. 27, 2022**

(54) **FOOTREST FOR A HIGHCHAIR**

D945,175 S * 3/2022 Rong D6/339
D955,123 S * 6/2022 Dai D6/339
D956,438 S * 7/2022 Maat D6/339

(71) Applicants: **Brent Allen Kruithof**, Loveland, OH
(US); **Kathryn Rose Kruithof**,
Loveland, OH (US)

* cited by examiner

(72) Inventors: **Brent Allen Kruithof**, Loveland, OH
(US); **Kathryn Rose Kruithof**,
Loveland, OH (US)

Primary Examiner — Abraham Bahta

(74) *Attorney, Agent, or Firm* — Barry Choobin; Patent
360

(**) Term: **15 Years**

(21) Appl. No.: **29/777,862**

(57) **CLAIM**

(22) Filed: **Apr. 8, 2021**

The ornamental design for a footrest for a highchair, as
shown and described.

(51) **LOC (13) Cl.** **06-01**

(52) **U.S. Cl.**
USPC **D6/339**

(58) **Field of Classification Search**
USPC D6/333, 334, 335, 336, 361, 371, 374,
D6/375, 381, 716.1, 716.4; 297/250.1,
297/255, 256.15, 256.1, 183.1–183.4
CPC A47C 7/24; A47C 7/36; A47C 7/20; A47C
7/18; A47C 5/06; A47C 17/02; A47C
4/028; B60N 2/70

DESCRIPTION

See application file for complete search history.

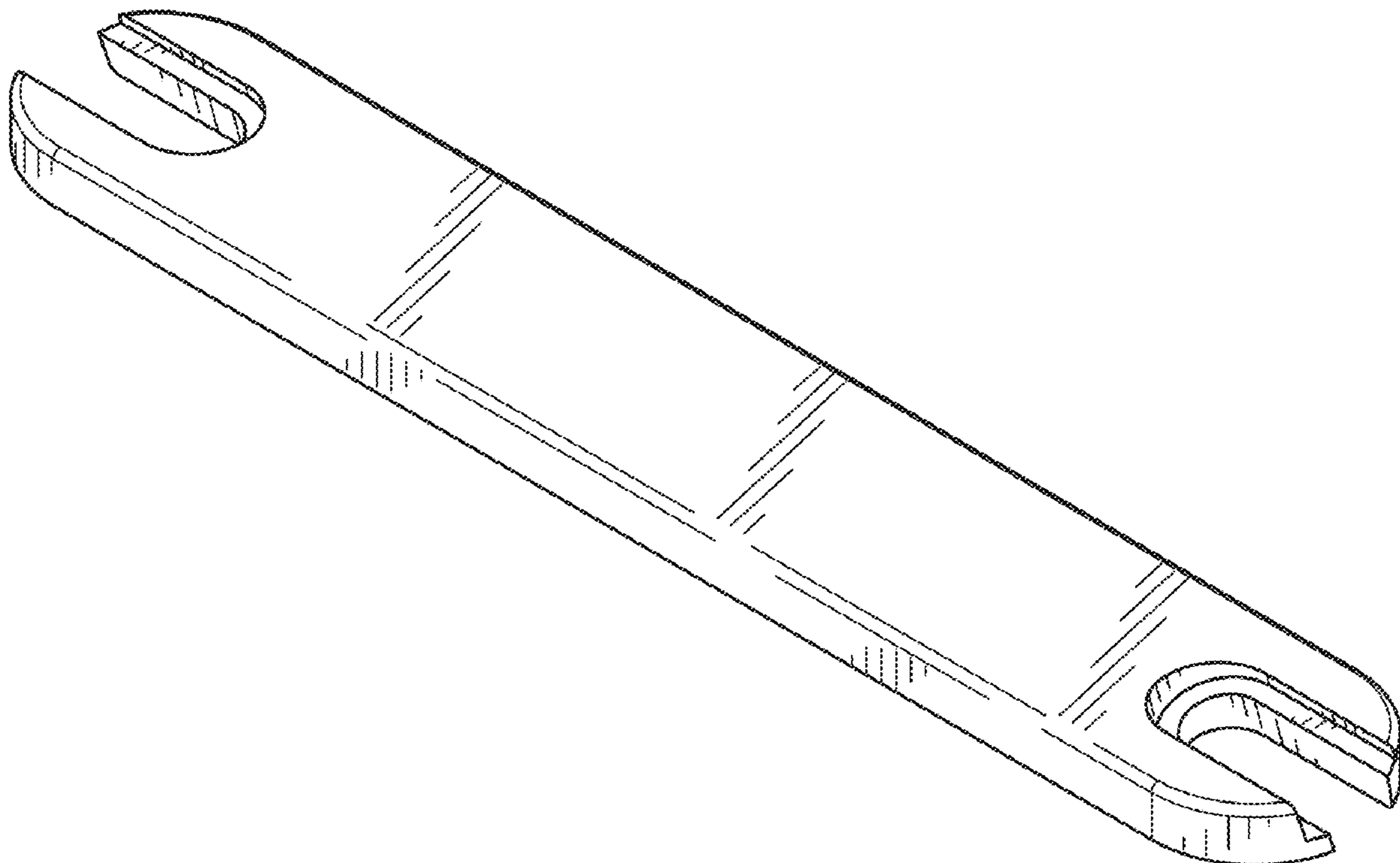
FIG. 1 is a perspective view of a footrest for a highchair,
showing our new design;
FIG. 2 is a front view thereof;
FIG. 3 is a rear view thereof;
FIG. 4 is a right-side view thereof;
FIG. 5 is a left-side view thereof;
FIG. 6 is a top view thereof;
FIG. 7 is a bottom view thereof; and,
FIG. 8 is a cross-sectional view along cross-section line 8-8
of FIG. 2.

(56) **References Cited**

U.S. PATENT DOCUMENTS

D901,914 S * 11/2020 Wanders D6/339
D943,297 S * 2/2022 Tackaberry D6/339

1 Claim, 4 Drawing Sheets



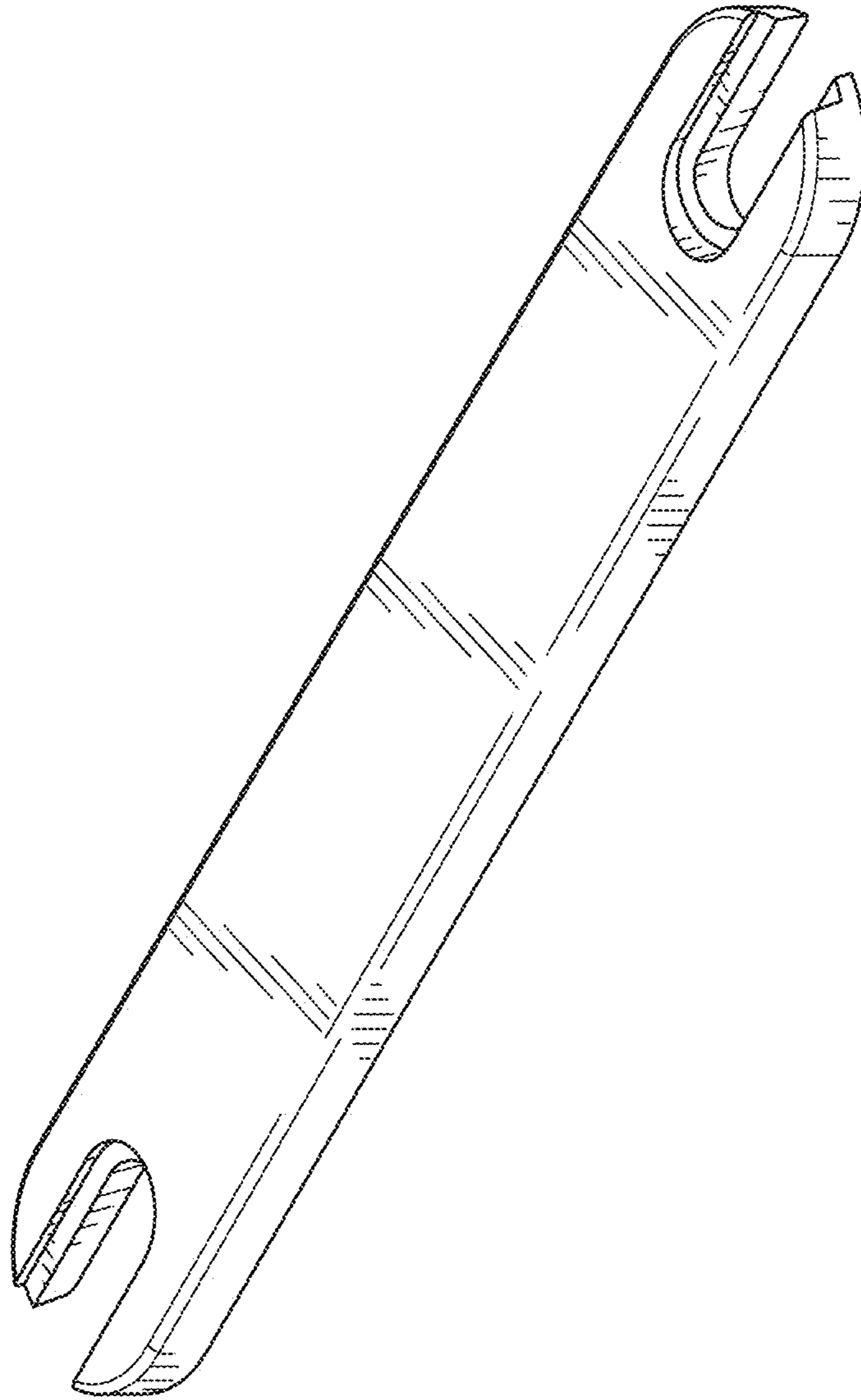


FIG. 1

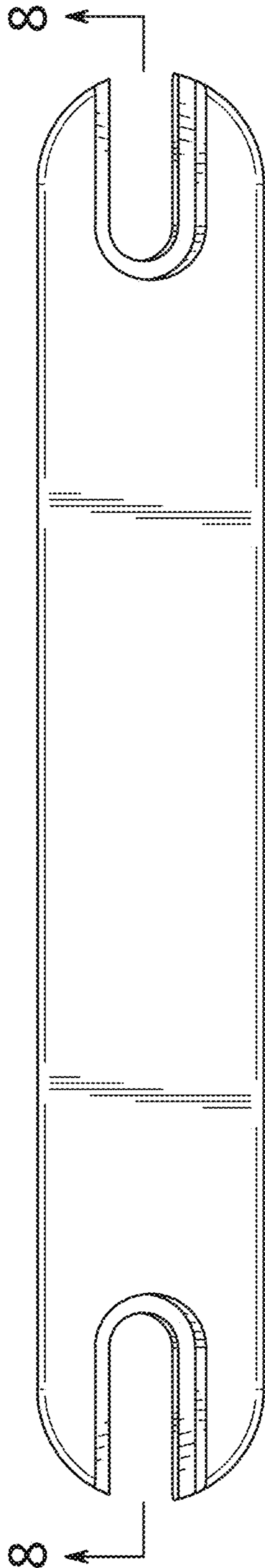


FIG. 2

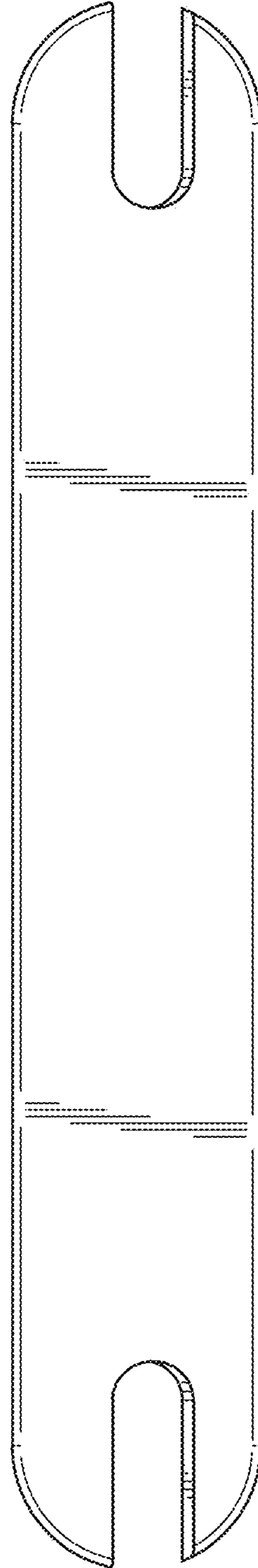


FIG. 3



FIG. 4



FIG. 5



FIG. 6



FIG. 7



FIG. 8