

US00D964755S

(12) **United States Design Patent**
Cheng

(10) **Patent No.:** **US D964,755 S**

(45) **Date of Patent:** **** Sep. 27, 2022**

(54) **COAT HANGER**

(71) Applicant: **Tao Cheng**, Nanchang (CN)

(72) Inventor: **Tao Cheng**, Nanchang (CN)

(**) Term: **15 Years**

(21) Appl. No.: **29/819,403**

(22) Filed: **Dec. 15, 2021**

(51) **LOC (13) Cl.** **06-08**

(52) **U.S. Cl.**

USPC **D6/319**

(58) **Field of Classification Search**

USPC D6/315-328

CPC A47G 25/26; A47G 25/28; A47G 25/30;

A47G 25/32; A47G 25/34; A47G 25/36;

A47G 25/38; A47G 25/442; A47G

25/625; A47G 25/743; A47G 25/1407;

A47G 25/1457; A47G 2025/1492; A47F

7/18; A47F 7/19; A47F 7/22

See application file for complete search history.

(56) **References Cited**

U.S. PATENT DOCUMENTS

D241,903 S * 10/1976 Niclus D6/319

D501,093 S * 1/2005 Barre D6/319

D630,445 S * 1/2011 Crawford D6/319

D631,671 S 2/2011 Segasby

D737,582 S * 9/2015 Li D6/319

D777,457 S * 1/2017 Lightner D6/319

D851,415 S * 6/2019 Nei D6/319

D881,589 S 4/2020 Kurzok et al.

2004/0256425 A1 * 12/2004 Barre A47G 25/28

223/85

2015/0083760 A1 * 3/2015 Barre A47G 25/32

223/85

2016/0235233 A1 * 8/2016 Apelbaum A47G 25/32

* cited by examiner

Primary Examiner — Lauren R Calve

(57) **CLAIM**

The ornamental design for a coat hanger, as shown and described.

DESCRIPTION

FIG. 1 is a perspective view of a coat hanger showing my new design;

FIG. 2 is another perspective view thereof;

FIG. 3 is a front elevational view thereof;

FIG. 4 is a rear elevational view thereof;

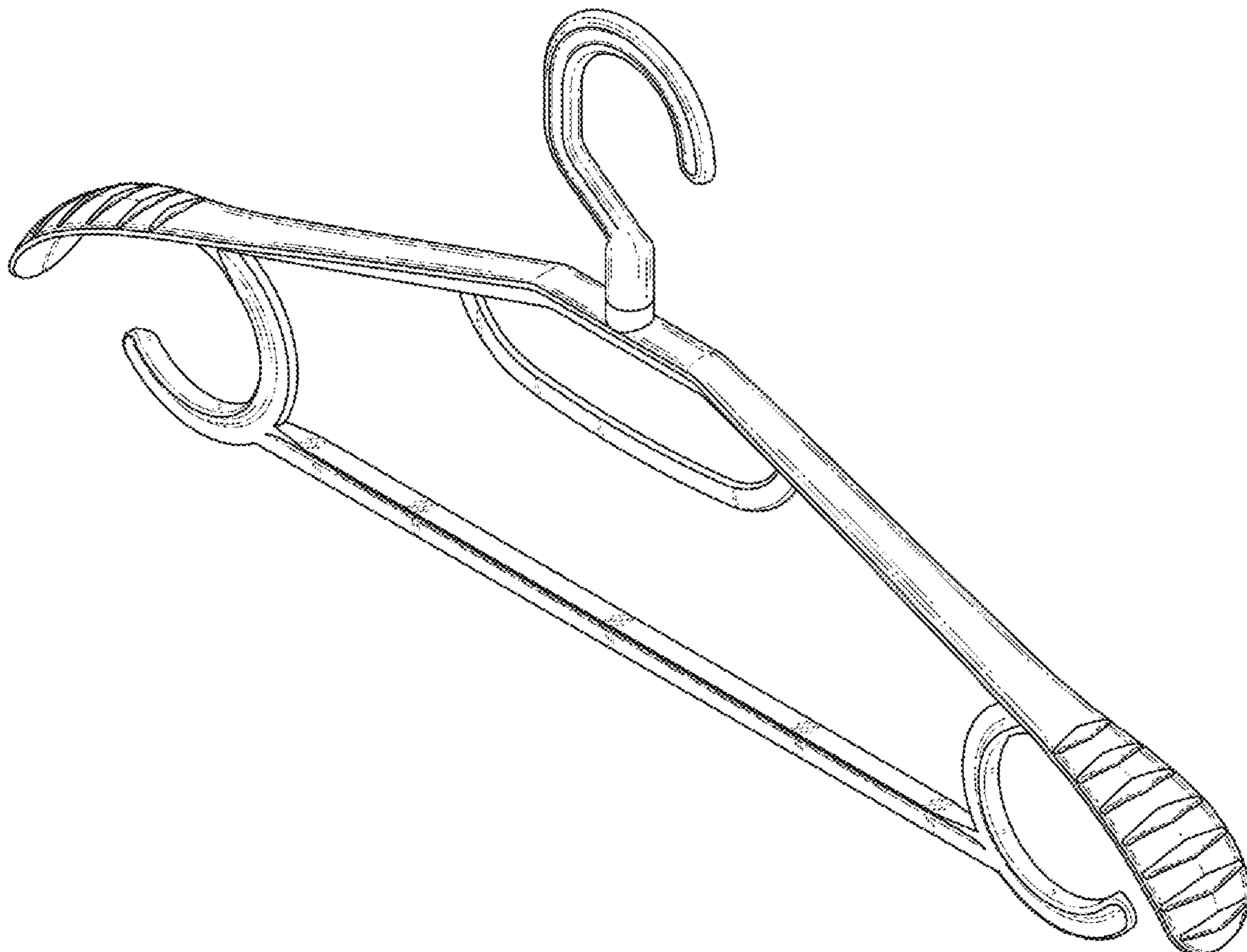
FIG. 5 is a left side elevational view thereof;

FIG. 6 is a right side elevational view thereof;

FIG. 7 is a top plan view thereof; and,

FIG. 8 is a bottom plan view thereof.

1 Claim, 8 Drawing Sheets



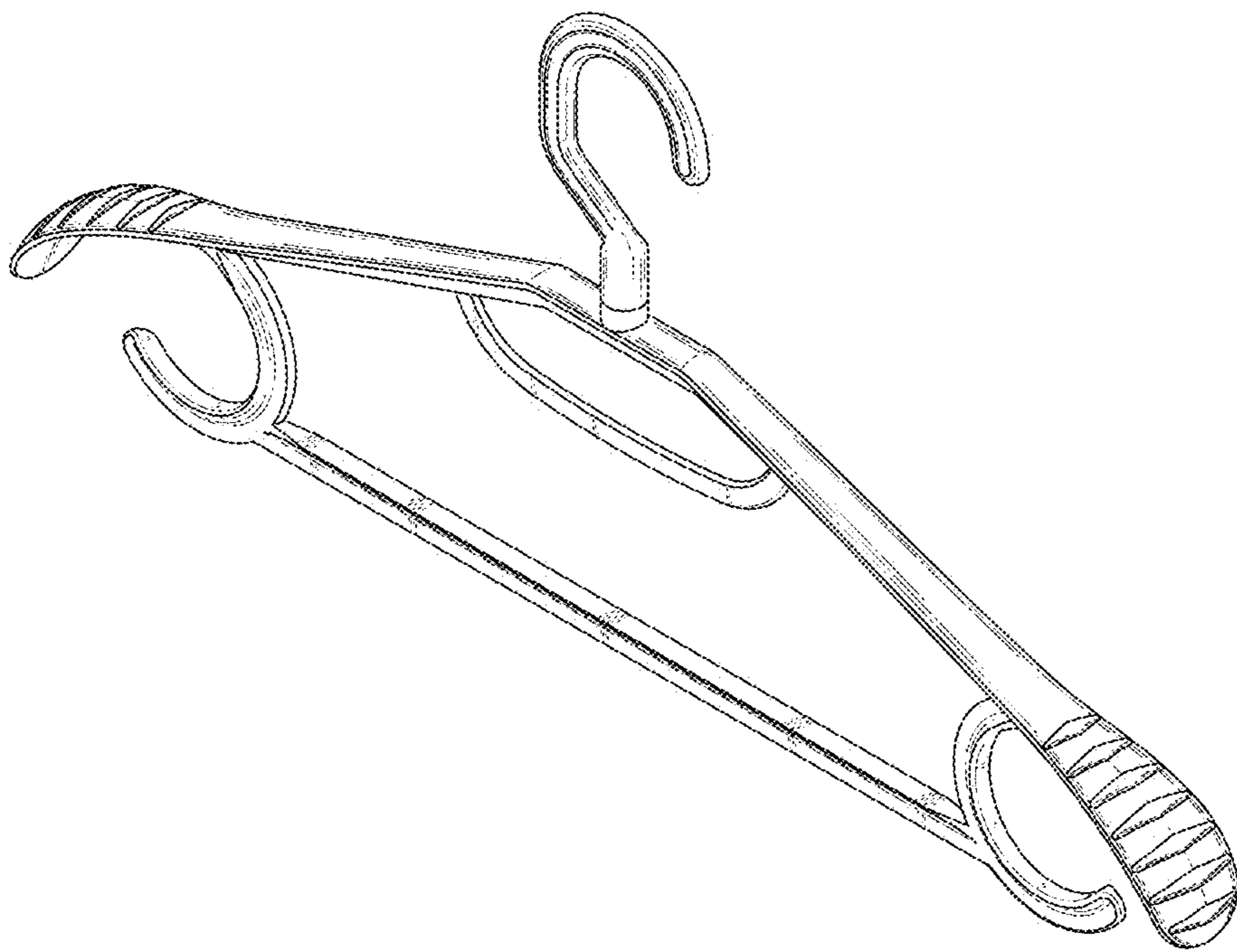


FIG.1

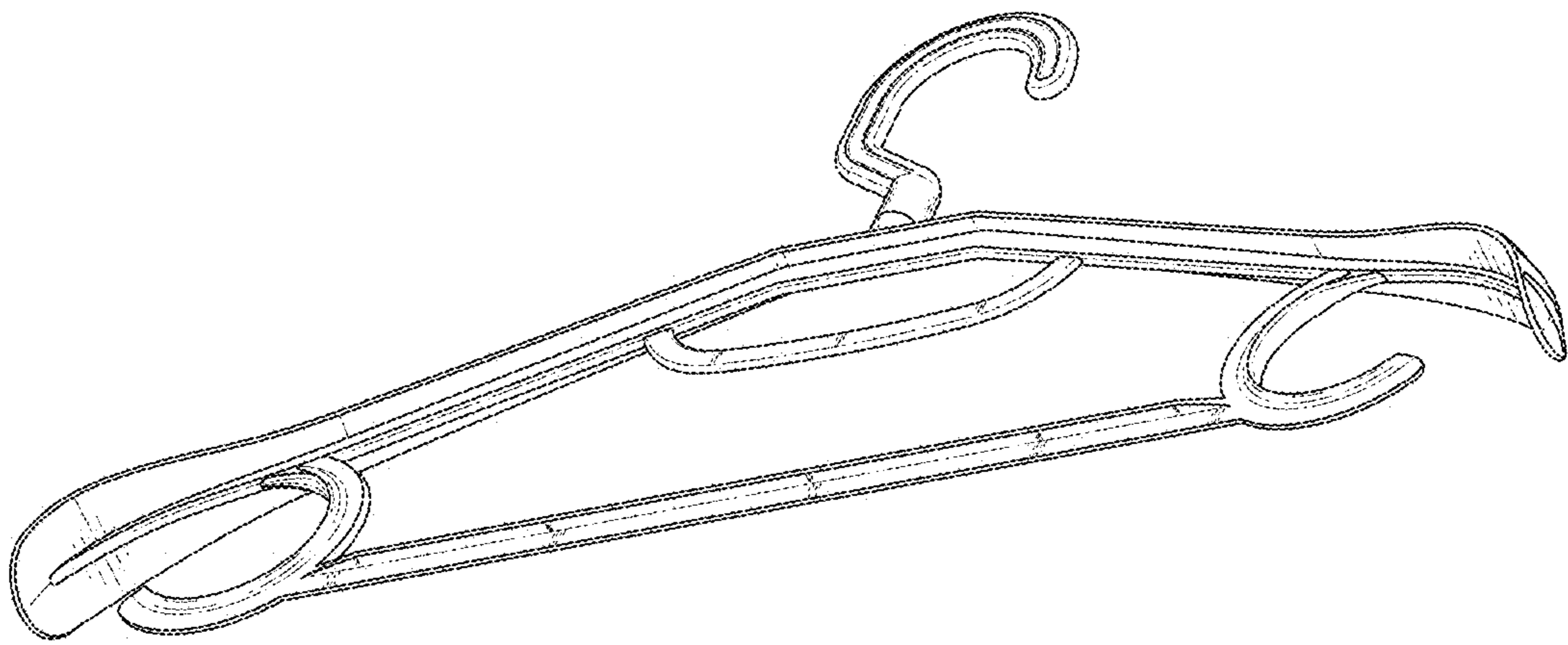


FIG. 2

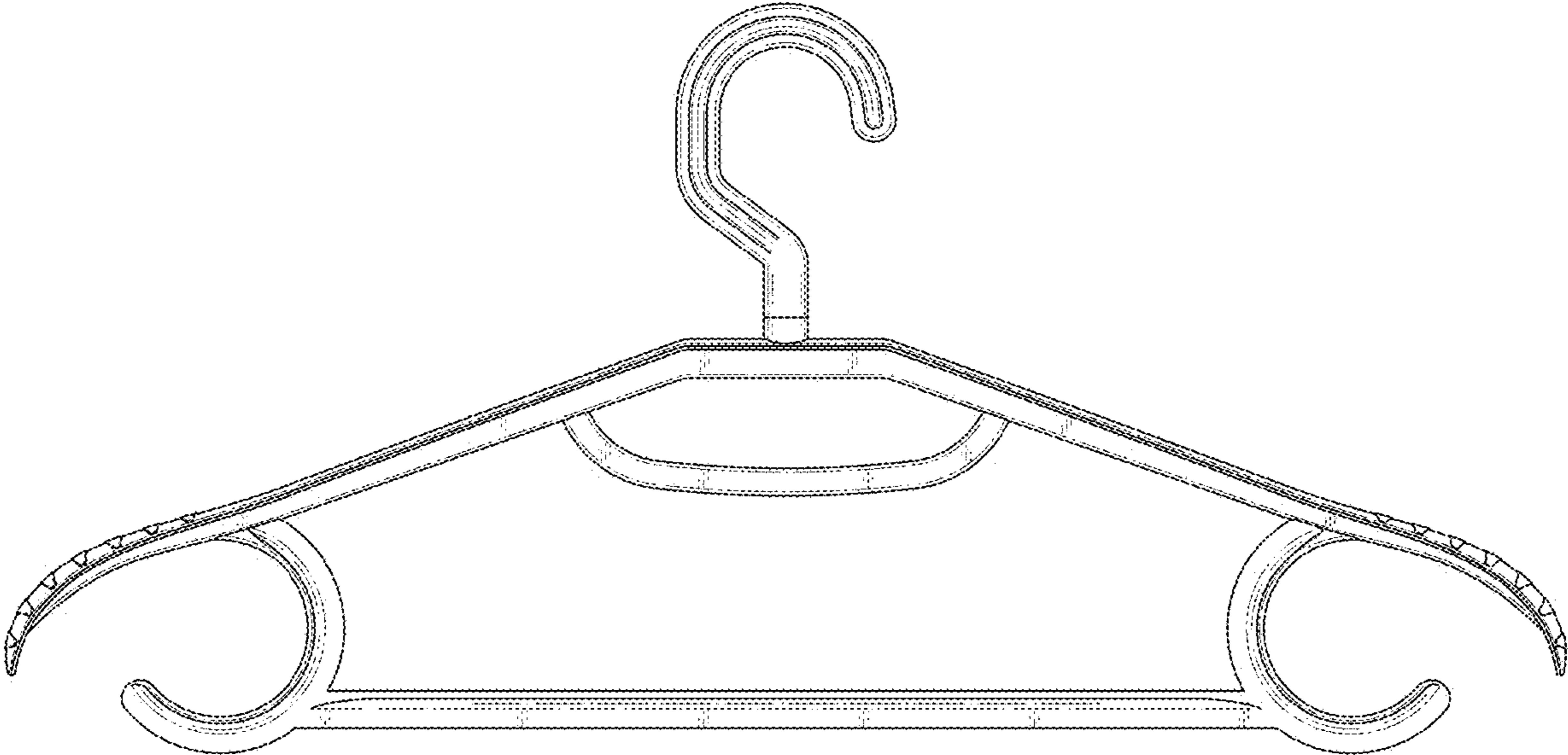


FIG. 3

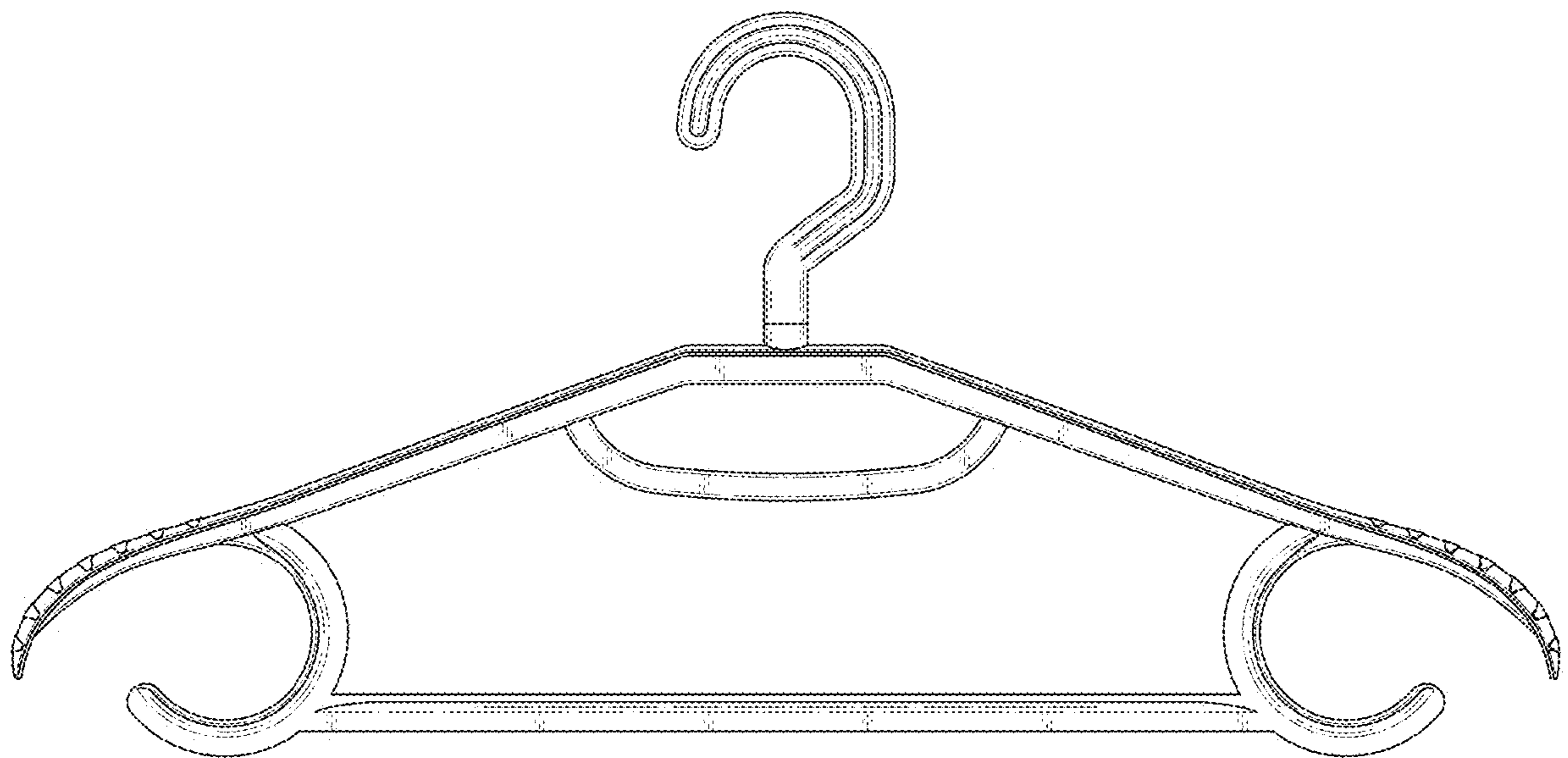


FIG. 4

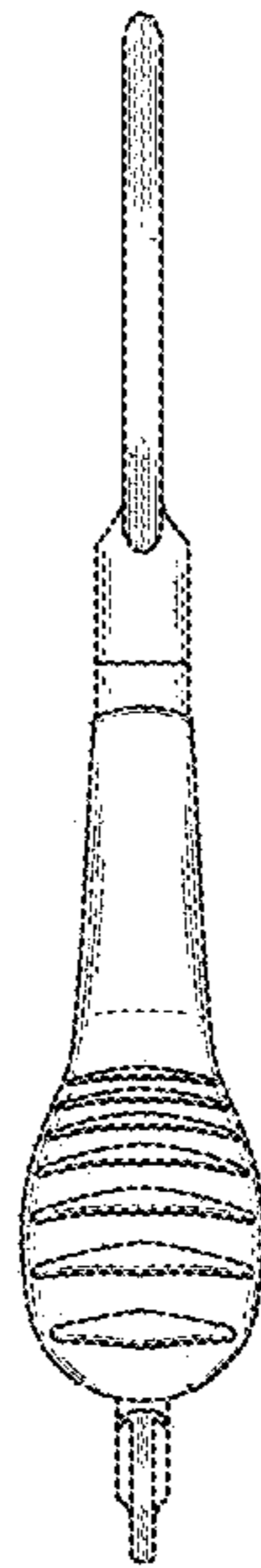


FIG.5

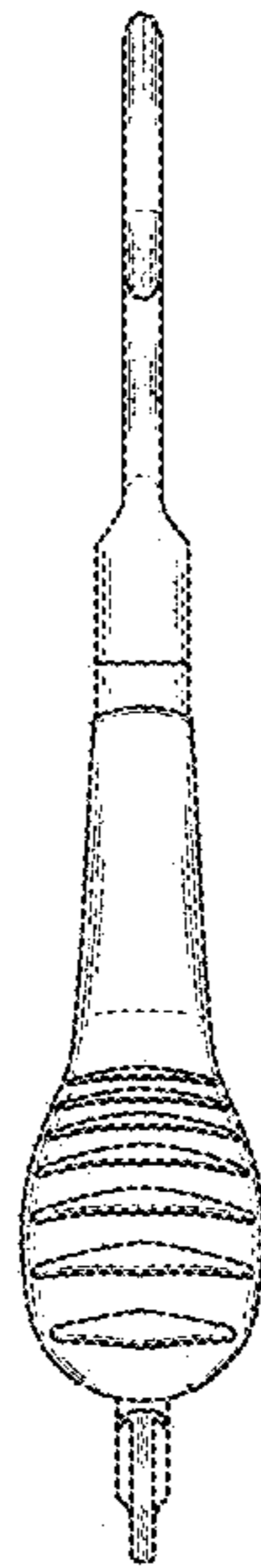


FIG.6

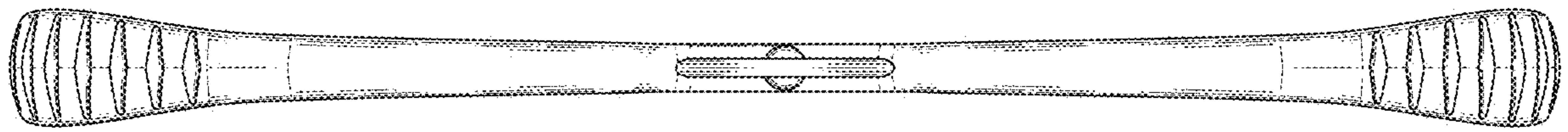


FIG.7

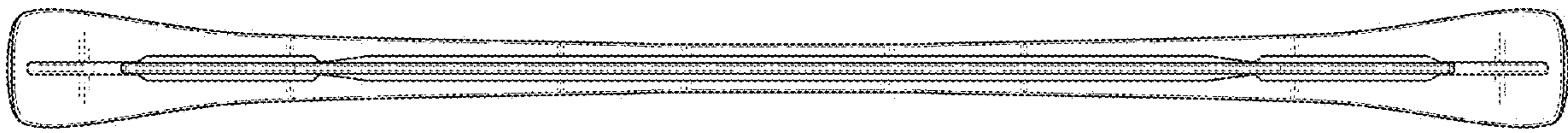


FIG.8