



US00D964754S

(12) **United States Design Patent** (10) **Patent No.:** **US D964,754 S**  
**Yamazaki** (45) **Date of Patent:** **\*\* Sep. 27, 2022**

(54) **MIRROR WITH ILLUMINATION**  
(71) Applicant: **YA-MAN LTD.**, Tokyo (JP)  
(72) Inventor: **Kimiyo Yamazaki**, Tokyo (JP)  
(73) Assignee: **YA-MAN LTD.**, Tokyo (JP)  
(\*\*) Term: **15 Years**

(21) Appl. No.: **29/762,115**  
(22) Filed: **Dec. 15, 2020**

(30) **Foreign Application Priority Data**

Oct. 20, 2020 (JP) ..... 2020-022602 D

(51) **LOC (13) Cl.** ..... **06-07**

(52) **U.S. Cl.**  
USPC ..... **D6/308**

(58) **Field of Classification Search**  
USPC ..... D6/300, 301, 302, 303, 304, 307, 308,  
D6/309, 310, 311, 312, 313, 314;  
D28/64.1-64.7; D14/336, 341, 371, 374,  
D14/485, 486  
CPC ..... A45D 42/00; A45D 42/10; A45D 42/16;  
A45D 42/20; A45D 42/24; A47G 1/00;  
A47G 1/02; A47G 1/04; A47G 1/0622;  
B60J 3/0282

See application file for complete search history.

(56) **References Cited**

U.S. PATENT DOCUMENTS

D743,704 S \* 11/2015 Kaiser ..... D6/300  
D809,322 S \* 2/2018 Choi ..... D6/664.1  
D829,007 S \* 9/2018 Choi ..... D6/310  
D846,805 S \* 4/2019 Kaiser ..... D28/64.2  
D880,070 S \* 3/2020 Kaiser ..... D28/83  
D905,445 S \* 12/2020 Yang ..... D6/310  
D916,470 S \* 4/2021 Liu ..... D6/300  
D925,239 S \* 7/2021 Cai ..... D6/312

D934,576 S \* 11/2021 Liu ..... D6/300  
D935,200 S \* 11/2021 Wang ..... D6/306  
2015/0205183 A1\* 7/2015 Gsellman ..... G03B 15/02  
348/333.12  
2019/0374007 A1\* 12/2019 Kaiser ..... A45D 42/10

FOREIGN PATENT DOCUMENTS

CN 306878302 \* 10/2021  
JP D1692383 \* 8/2021

OTHER PUBLICATIONS

Mineral Air on Instagram [online], [site visited Mar. 9, 2022], Available from internet, URL: <https://www.instagram.com/p/CQJ\_XhSjKm6/> (Year: 2021).  
LED Vanity Mirror [online], [site visited Mar. 9, 2022], Available from internet, URL: <https://mineralair.com/products/led-vanity-mirror> (Year: 2022).\*

\* cited by examiner

*Primary Examiner* — Cynthia Ramirez  
*Assistant Examiner* — Xavier Marti-Santos  
(74) *Attorney, Agent, or Firm* — Maier & Maier, PLLC

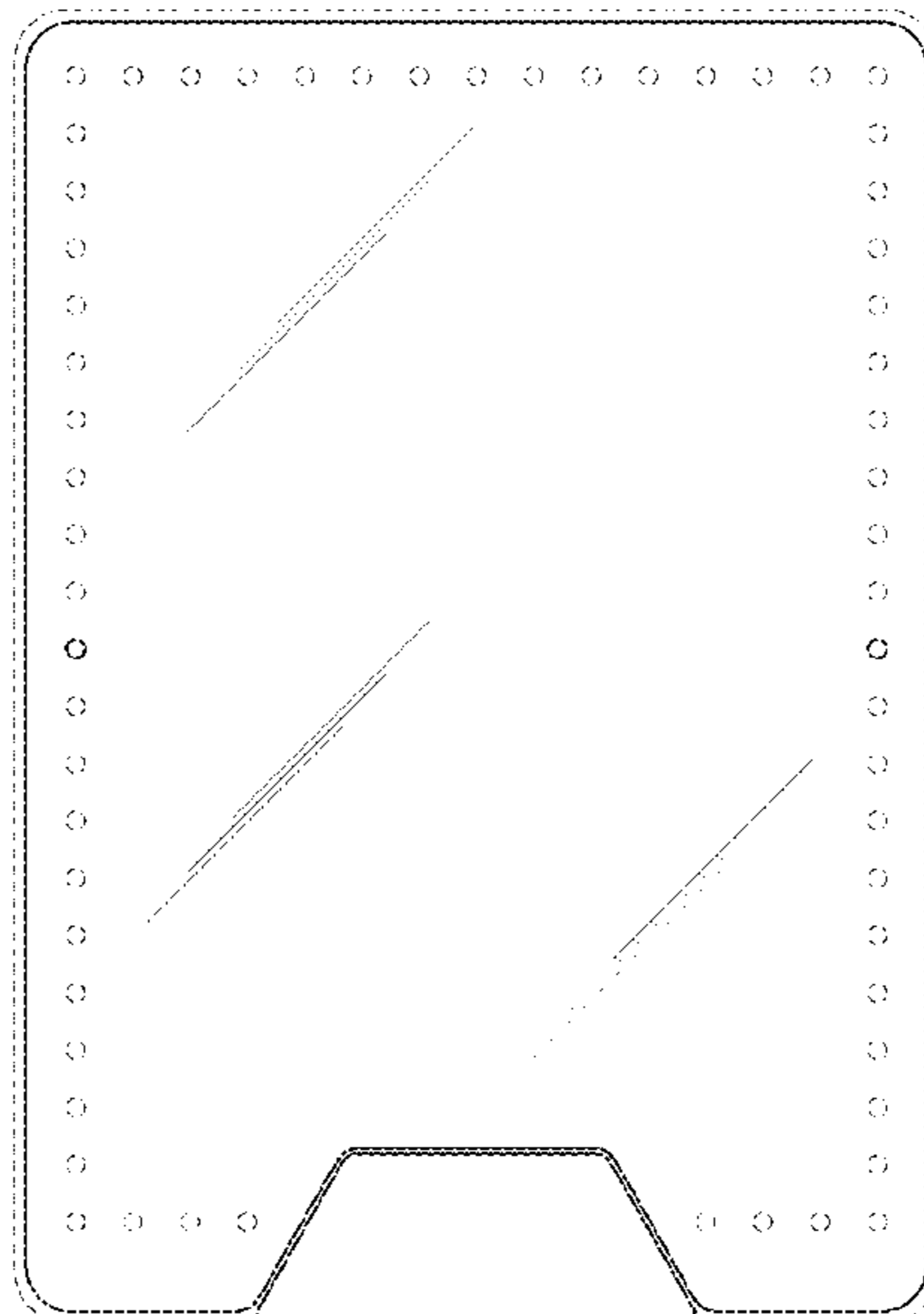
(57) **CLAIM**

The ornamental design for a mirror with illumination, as shown and described.

**DESCRIPTION**

FIG. 1 is a front view of a mirror with illumination, showing my design;  
FIG. 2 is a rear view thereof;  
FIG. 3 is a left side view thereof;  
FIG. 4 is a right side view thereof;  
FIG. 5 is a top view thereof; and,  
FIG. 6 is a bottom view thereof.  
The broken lines in the Figures are for the purpose of illustrating portions of the mirror with illumination and form no part of the claimed design.

**1 Claim, 4 Drawing Sheets**



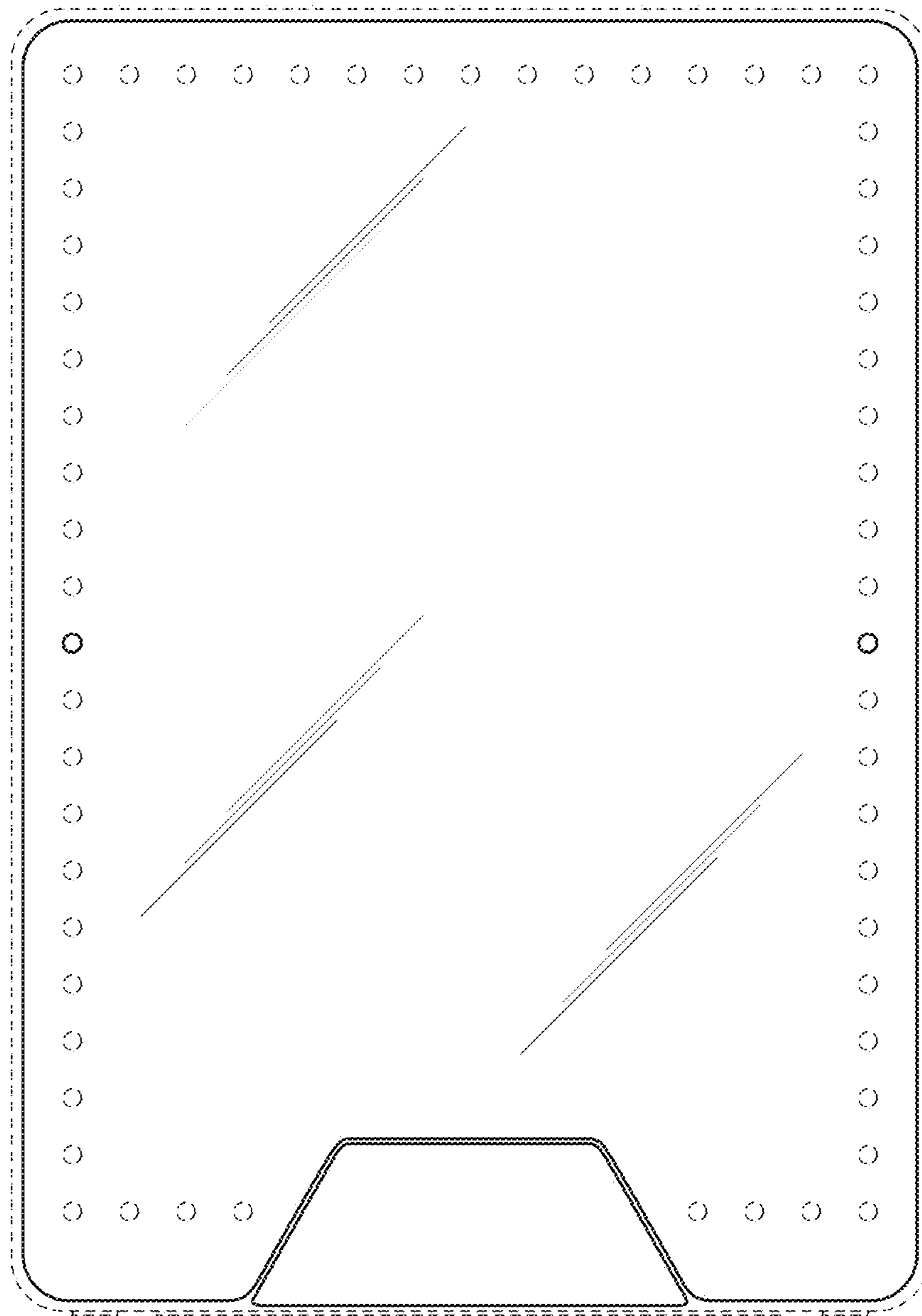


FIG. 1

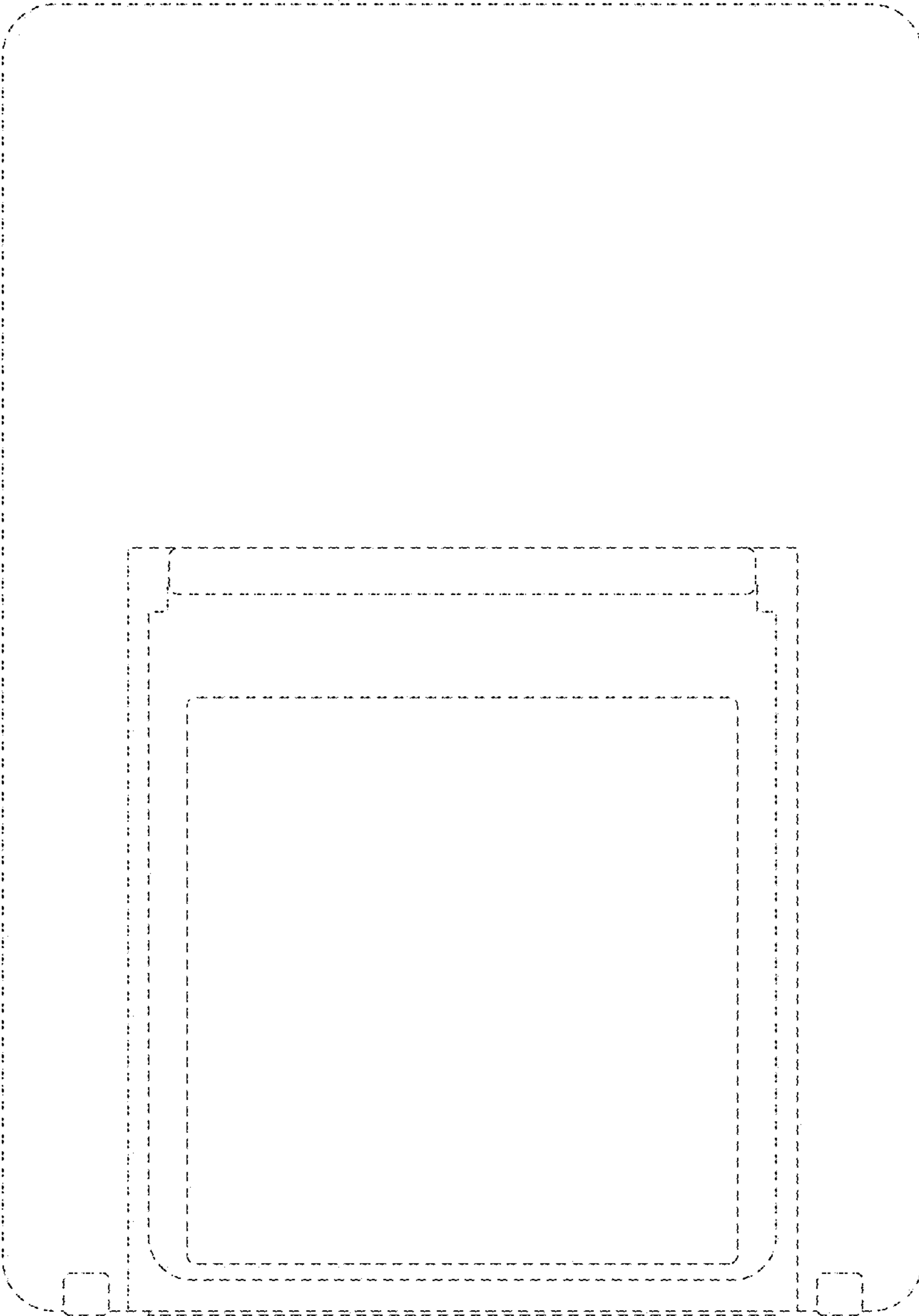


FIG. 2

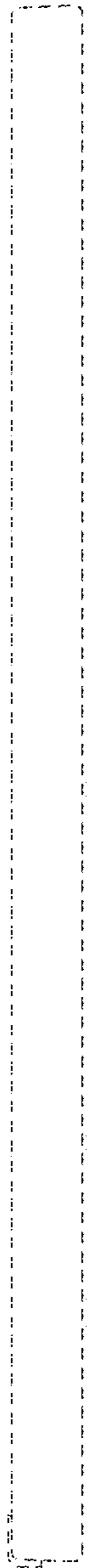


FIG. 3

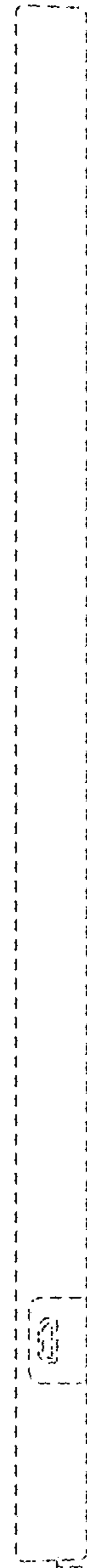


FIG. 4



FIG. 5



FIG. 6