

US00D964753S

(12) **United States Design Patent**
Liu et al.

(10) **Patent No.:** **US D964,753 S**
(45) **Date of Patent:** **** Sep. 27, 2022**

- (54) **MIRROR**
- (71) Applicant: **SHENZHEN SMILE TECHNOLOGY CO., LTD**, Shenzhen (CN)
- (72) Inventors: **Jinfeng Liu**, Lianjiang (CN); **Chuanming Cai**, Shenzhen (CN)
- (73) Assignee: **SHENZHEN SMILE TECHNOLOGY CO., LTD**, Shenzhen (CN)
- (**) Term: **15 Years**
- (21) Appl. No.: **29/838,494**
- (22) Filed: **May 13, 2022**

Related U.S. Application Data

- (63) Continuation-in-part of application No. 29/811,828, filed on Oct. 18, 2021.
- (51) **LOC (13) Cl.** **06-07**
- (52) **U.S. Cl.**
USPC **D6/301**
- (58) **Field of Classification Search**
USPC D6/300–314
CPC A47G 1/06; A47G 1/065
See application file for complete search history.

(56) **References Cited**

U.S. PATENT DOCUMENTS

- 1,859,592 A * 5/1932 Marchand A47G 1/04
D26/56
- 2,140,069 A * 12/1938 Bostwick A45D 42/00
292/256.73
- 2,201,251 A * 5/1940 Van Patten A45D 42/10
D26/56
- 2,687,674 A * 8/1954 Cleve A45D 42/16
359/860
- D177,003 S * 3/1956 Barlow D6/301

- 2,763,186 A * 9/1956 Barlow A47G 1/04
359/854
 - D182,390 S * 3/1958 Snider et al. D3/901
 - D241,800 S * 10/1976 Johnson et al. D6/301
- (Continued)

OTHER PUBLICATIONS

“Verivue 3 Way LED Self Haircut Mirror, Lighted Trifold 360 Mirror for Cutting/Styling Hair, Shaving, Makeup, Real Glass, Includes Adjustable Height Over The Door Brackets, Travel Bag, Tabletop Stands” product listing on Amazon.com. Listed as first available on Aug. 10, 2021. Retrieved on Jul. 25, 2022 from www.amazon.com/dp/B09CCJVR8S (Year: 2021).*

(Continued)

Primary Examiner — Deanna L Pratt

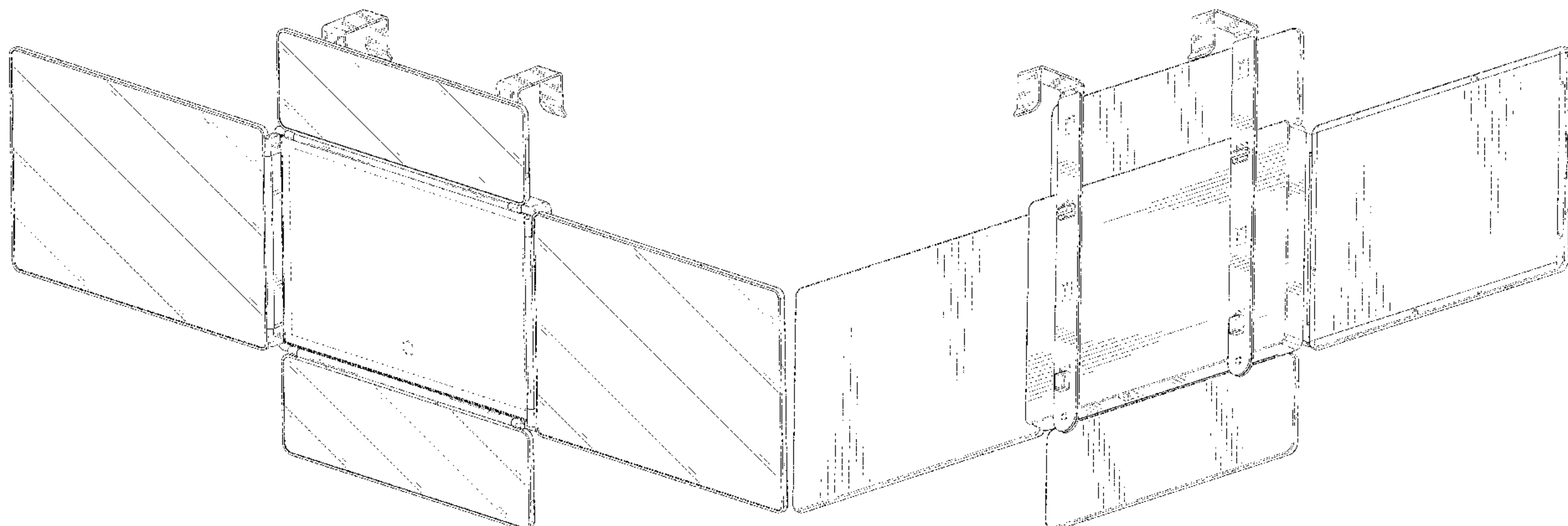
(57) **CLAIM**

The ornamental design for a mirror, as shown and described.

DESCRIPTION

FIG. 1 is a perspective view of a mirror showing our new design;
FIG. 2 is another perspective view thereof;
FIG. 3 is a front elevational view thereof;
FIG. 4 is a rear elevational view thereof;
FIG. 5 is a left side elevational view thereof;
FIG. 6 is a right side elevational view thereof;
FIG. 7 is a top plan view thereof;
FIG. 8 is a bottom plan view thereof;
FIG. 9 is a perspective view of the mirror where the mirror is in a folded state;
FIG. 10 is an exploded perspective view of the mirror; and,
FIG. 11 is another exploded perspective view of the mirror.
The broken lines in the drawings depict portions of the mirror that form no part of the claimed design.

1 Claim, 11 Drawing Sheets



(56)

References Cited

U.S. PATENT DOCUMENTS

D267,174	S	*	12/1982	Fox	D14/254
D330,807	S	*	11/1992	Granzow	D6/301
D370,129	S	*	5/1996	Freudenfeld	D6/312
6,347,876	B1	*	2/2002	Burton	A45D 42/10 362/141
D552,851	S	*	10/2007	Abrahamian	D6/301
D572,024	S	*	7/2008	Shapiro	D6/301
8,393,749	B1	*	3/2013	Daicos	A47G 1/04 359/865
D865,374	S		11/2019	Yang		
D877,520	S	*	3/2020	Estores	D6/301
D905,442	S		12/2020	Yang		
D919,308	S	*	5/2021	Yang	D6/301
D934,577	S	*	11/2021	Liu	D6/301
D942,760	S	*	2/2022	Cui	D6/302
D947,550	S	*	4/2022	Li	D6/301
2018/0199737	A1	*	7/2018	Welch	A47G 1/1686
2019/0328113	A1	*	10/2019	Long	A45D 42/16

OTHER PUBLICATIONS

“5 Way Mirror for Self Hair Cutting, 360 Self Haircut Folding Mirror Men Women with Adjustable Telescoping Hooks Barber Tools for Haircut Shaver Makeup and Travel (White)” product listing on Amazon.com. Listed as first available on Mar. 11, 2022. Retrieved on Jul. 25, 2022 from www.amazon.com/dp/B09VBZTYPK (Year: 2022).*

* cited by examiner

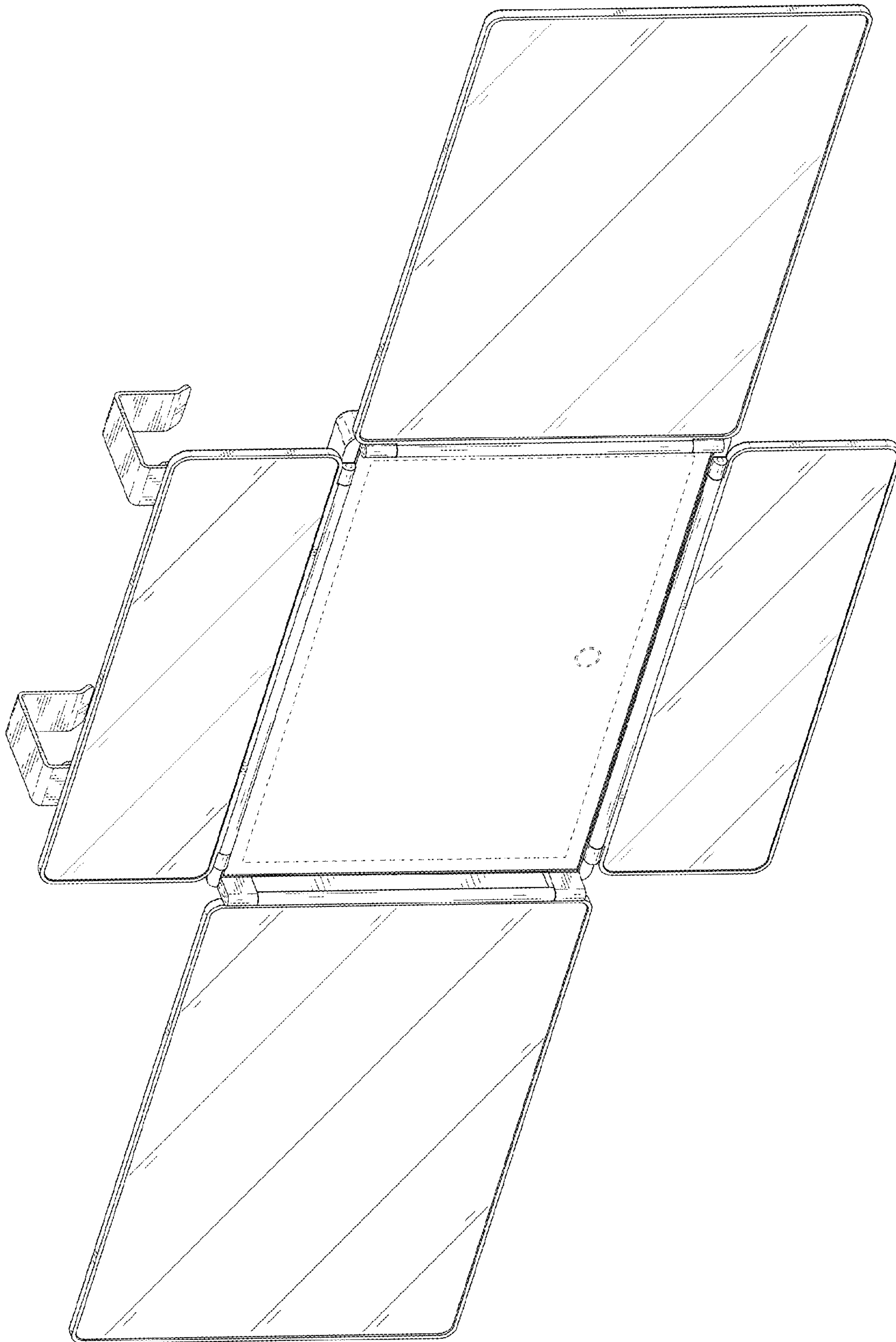


FIG. 1

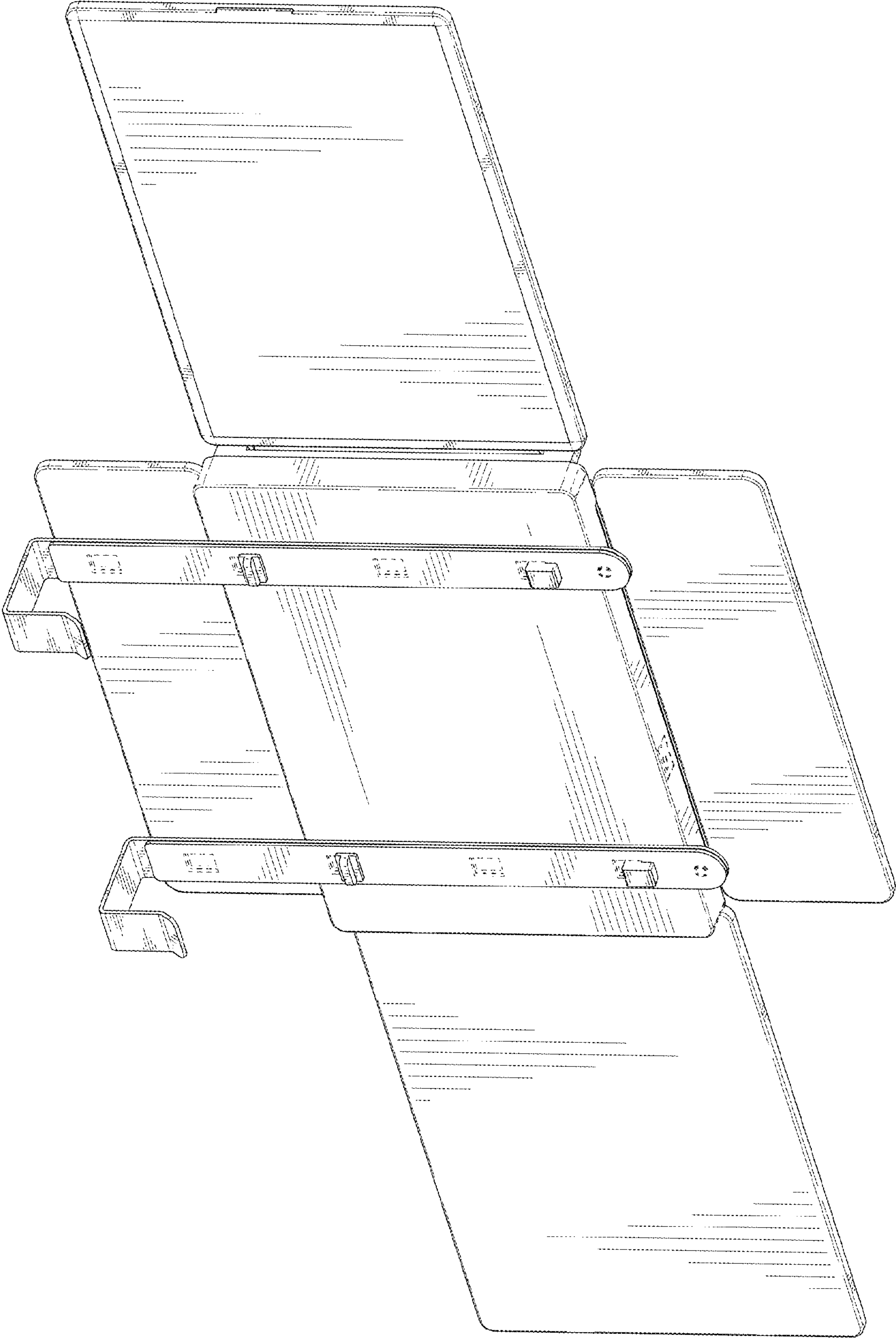


FIG. 2

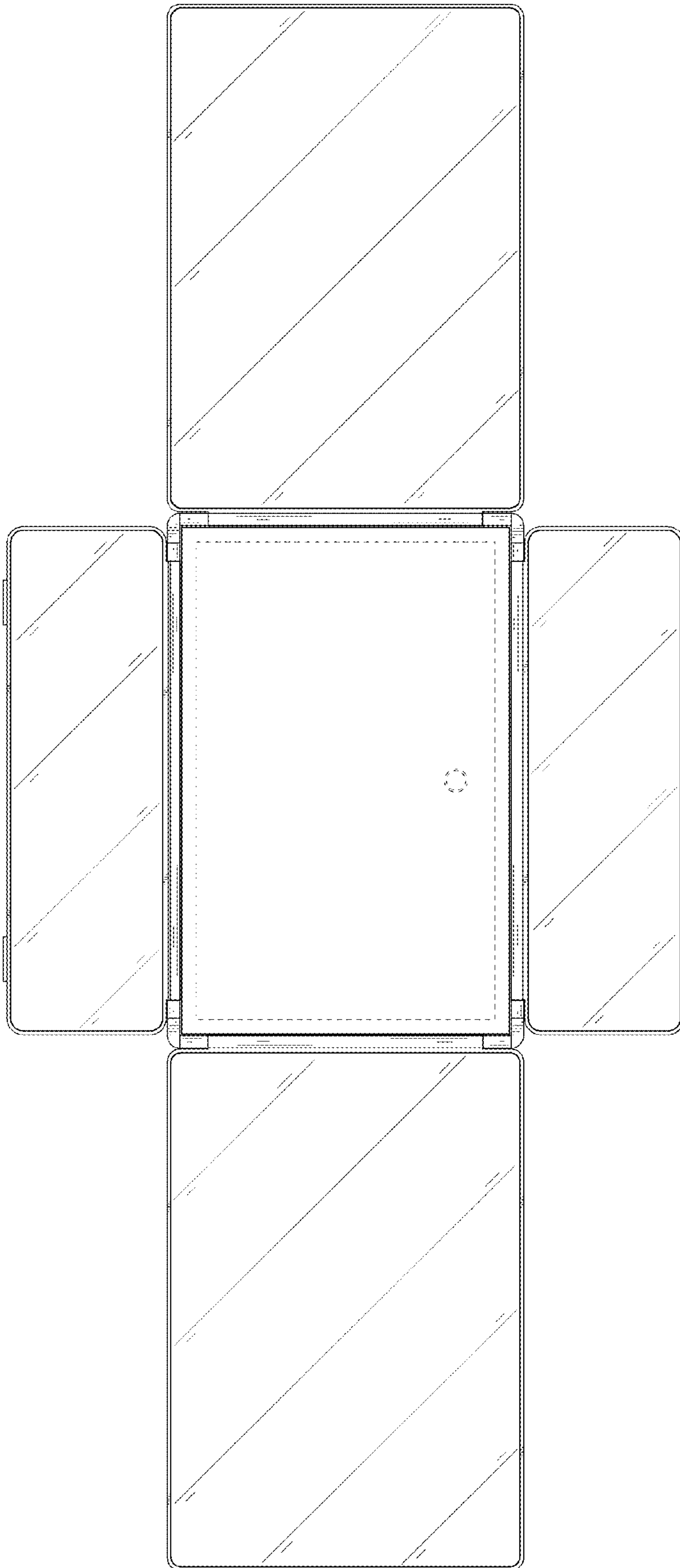


FIG. 3

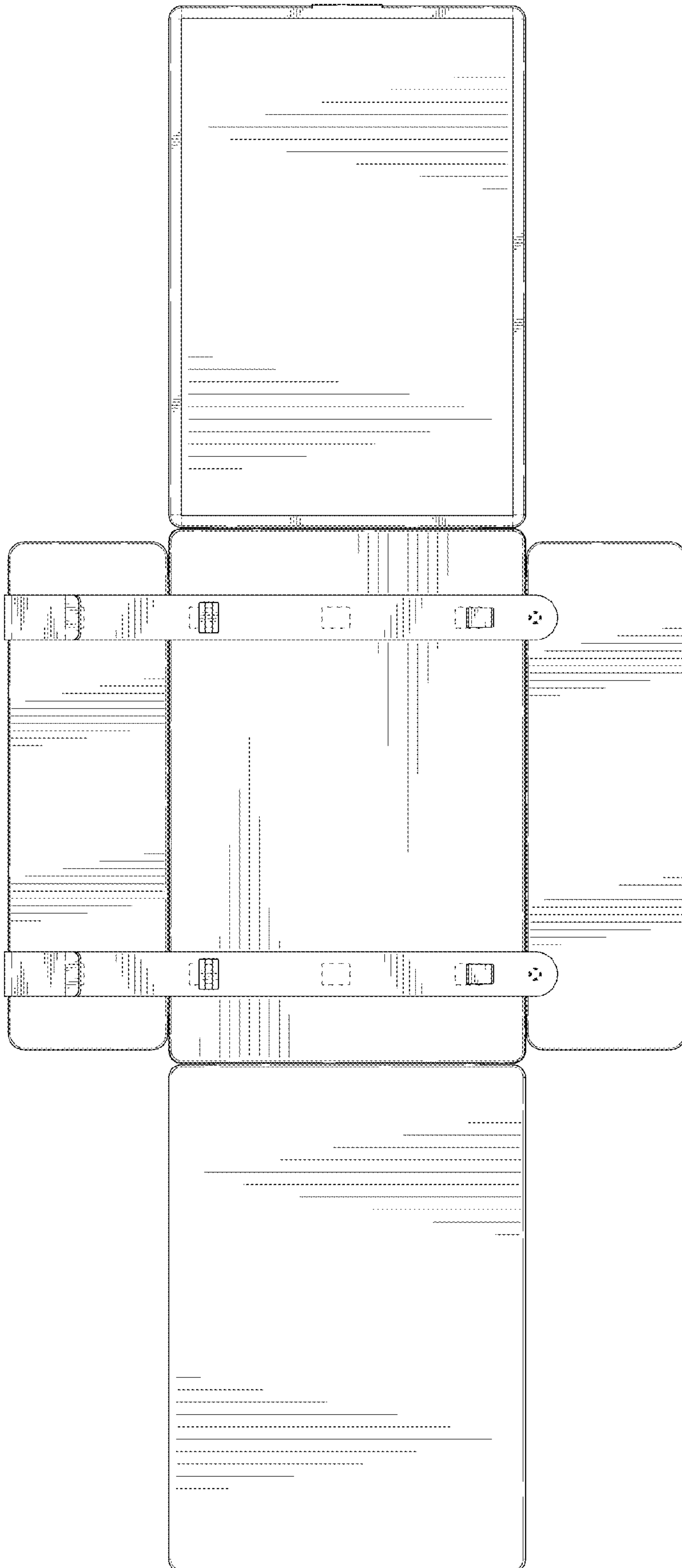


FIG. 4

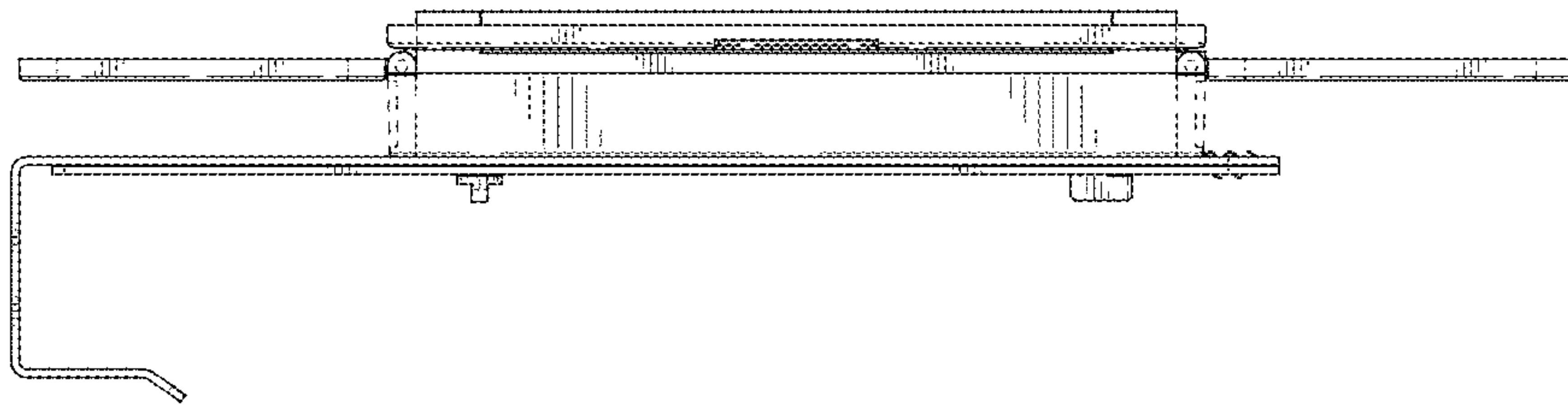


FIG. 5

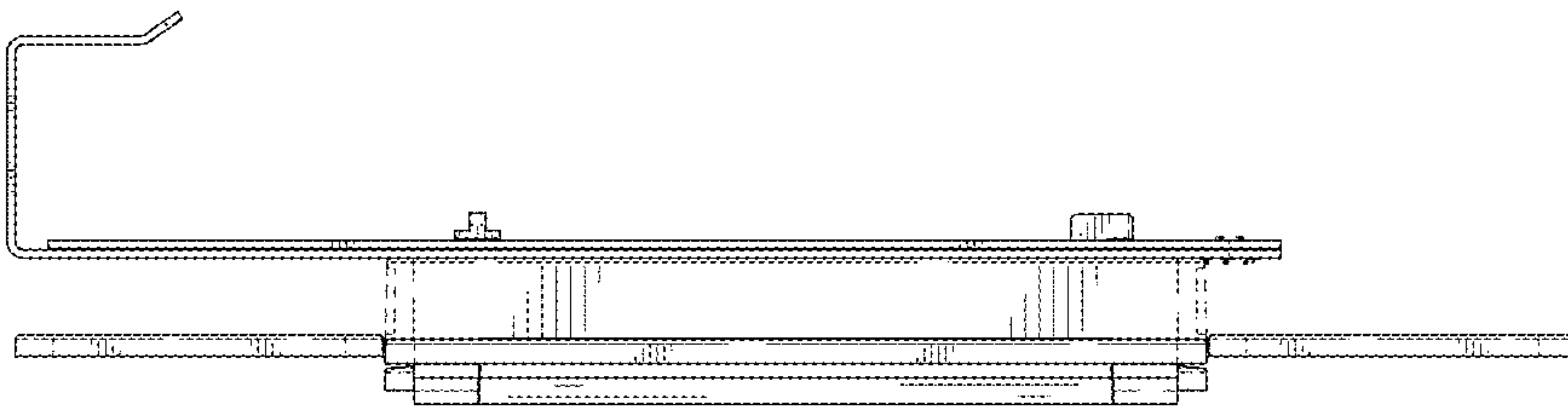


FIG. 6

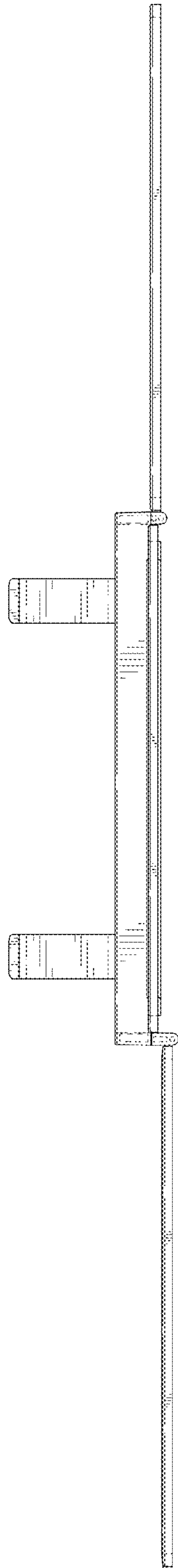


FIG. 7

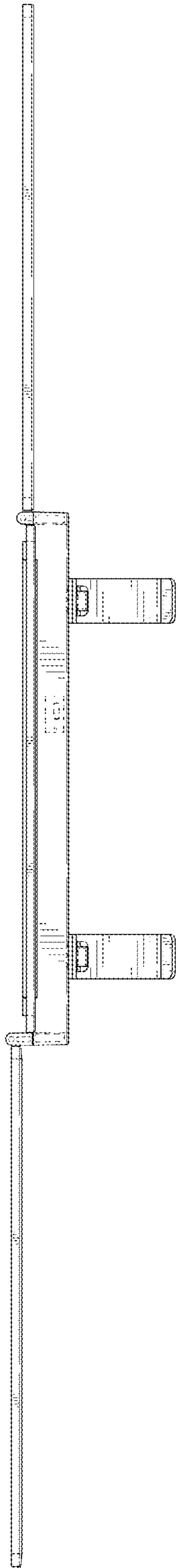


FIG. 8

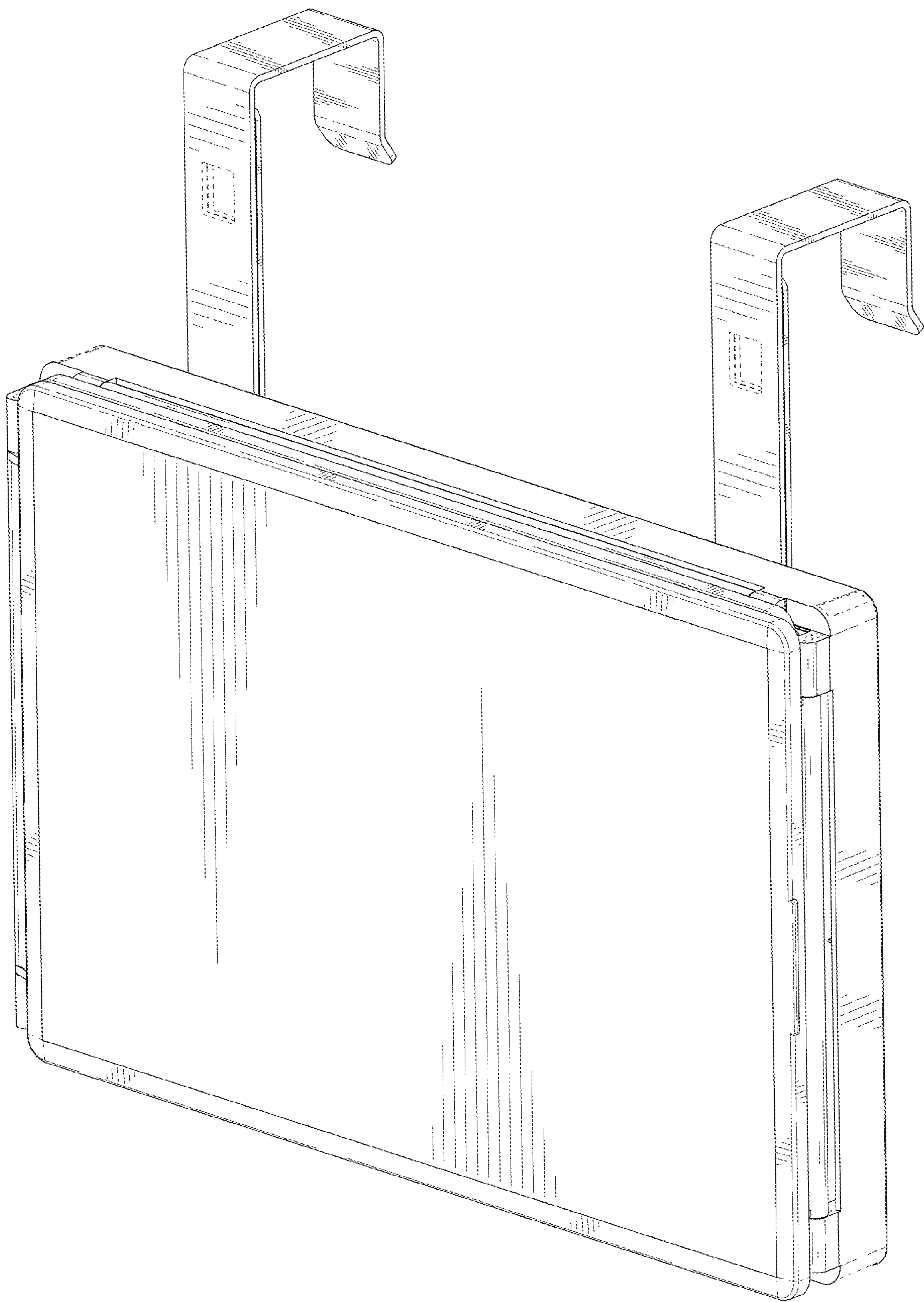


FIG. 9

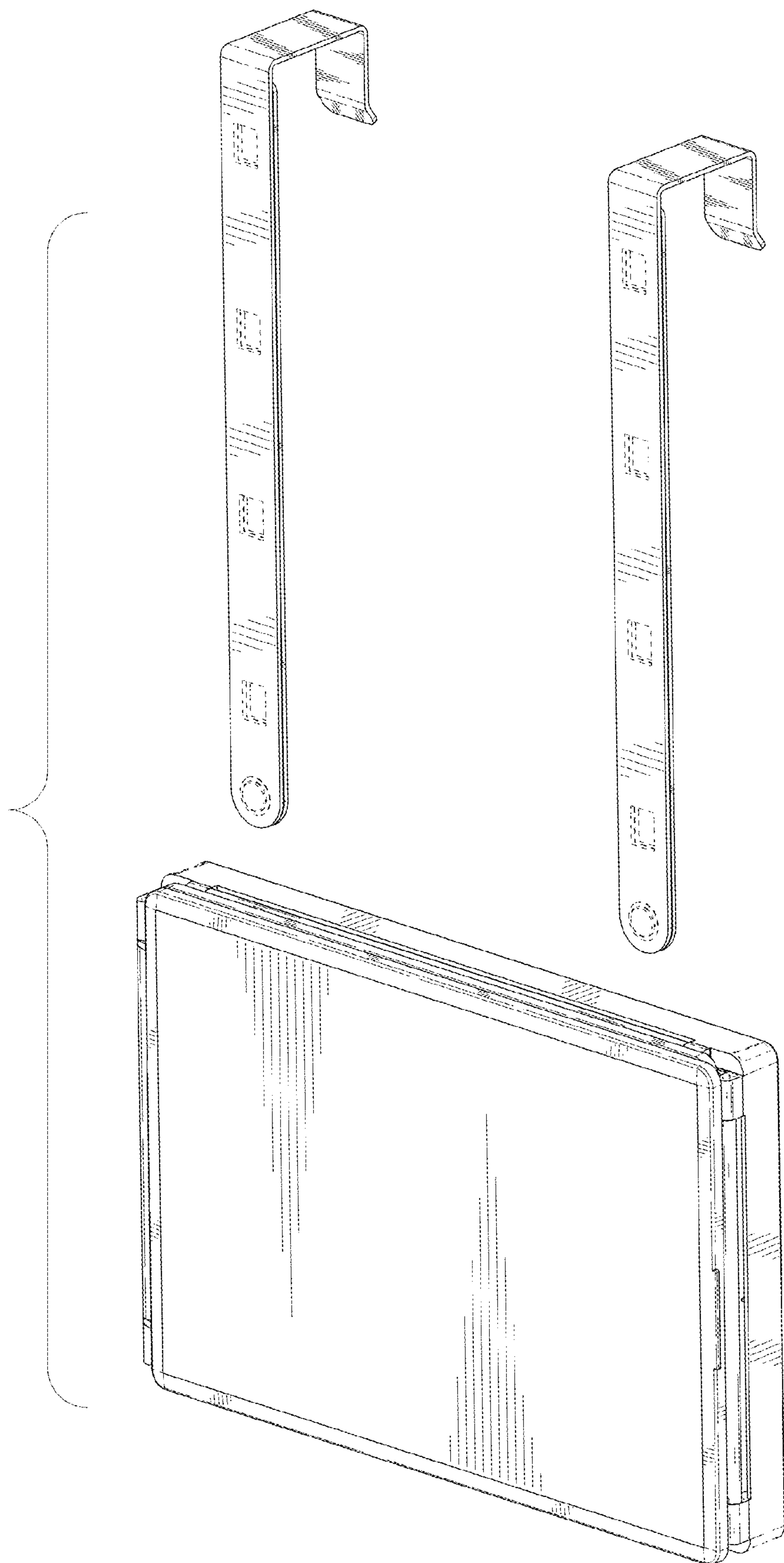


FIG. 10

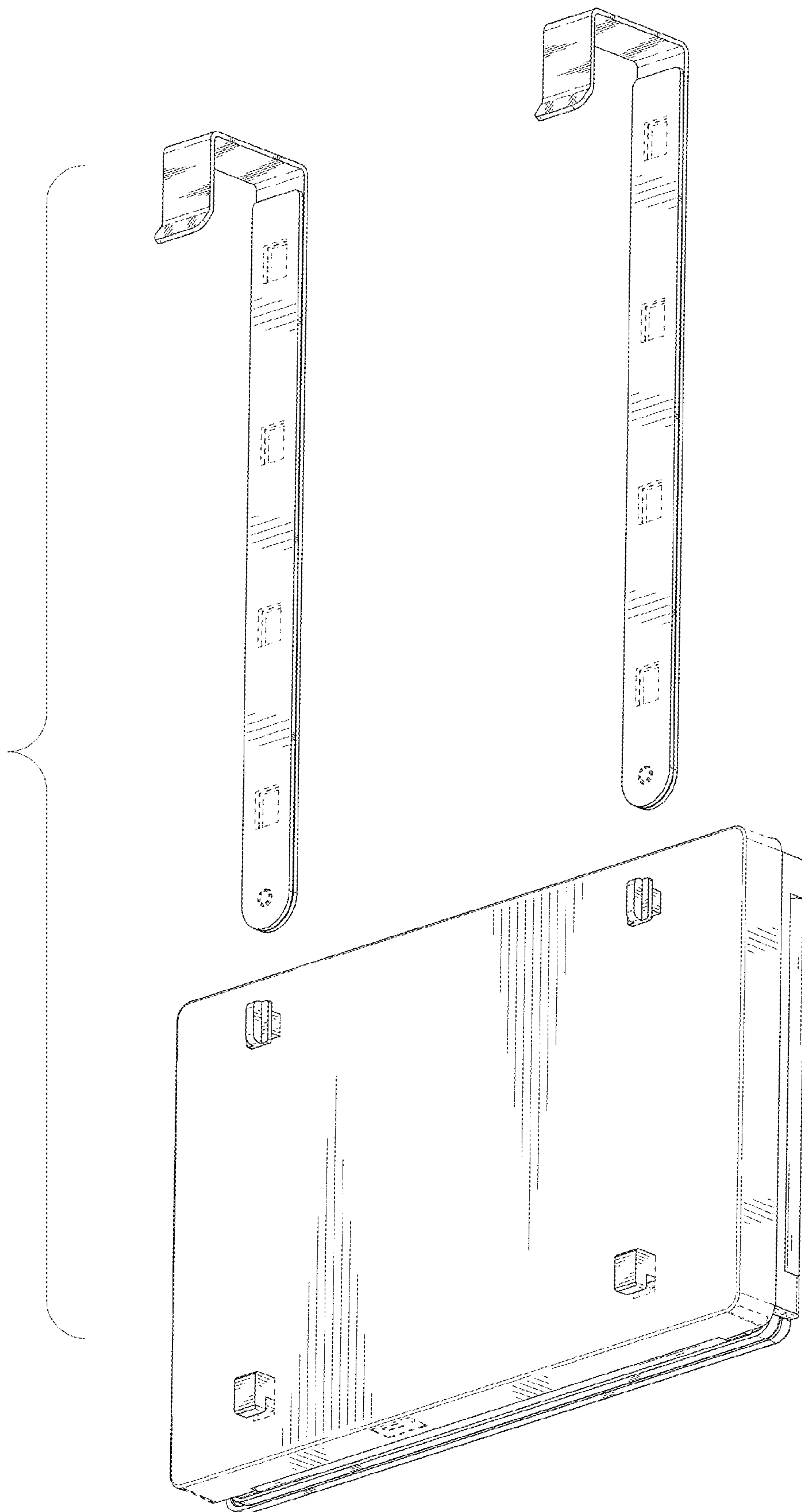


FIG. 11