



US00D964752S

(12) **United States Design Patent**  
**Cai**

(10) **Patent No.:** **US D964,752 S**

(45) **Date of Patent:** **\*\* Sep. 27, 2022**

(54) **FOLDABLE MIRROR**

(71) Applicant: **Chuanming Cai**, Shenzhen (CN)

(72) Inventor: **Chuanming Cai**, Shenzhen (CN)

(\*\*) Term: **15 Years**

(21) Appl. No.: **29/811,828**

(22) Filed: **Oct. 18, 2021**

(51) **LOC (13) Cl.** ..... **06-07**

(52) **U.S. Cl.**  
USPC ..... **D6/301**

(58) **Field of Classification Search**  
USPC ..... D6/300-314  
CPC ..... A47G 1/06; A47G 1/065  
See application file for complete search history.

(56) **References Cited**

U.S. PATENT DOCUMENTS

1,859,592	A *	5/1932	Marchand	.....	A47G 1/04 D26/56
2,140,069	A *	12/1938	Bostwick	.....	A45D 42/00 292/256.73
2,201,251	A *	5/1940	Van Patten	.....	A45D 42/10 D26/56
2,687,674	A *	8/1954	Cleve	.....	A45D 42/16 359/860
D177,003	S *	3/1956	Barlow	.....	D6/301
2,763,186	A *	9/1956	Barlow	.....	A47G 1/04 359/854
D182,390	S *	3/1958	Snider et al.	.....	D3/901
D241,800	S *	10/1976	Johnson et al.	.....	D6/301
D267,174	S *	12/1982	Fox	.....	D14/254
D330,807	S *	11/1992	Granzow	.....	D6/301
D370,129	S *	5/1996	Freudenfeld	.....	D6/312
6,347,876	B1 *	2/2002	Burton	.....	A45D 42/10 362/141
D552,851	S *	10/2007	Abrahamian	.....	D6/301

D572,024	S *	7/2008	Shapiro	.....	D6/301
8,393,749	B1 *	3/2013	Daicos	.....	A47G 1/04 359/865
D865,374	S	11/2019	Yang	.....	
D877,520	S *	3/2020	Estores	.....	D6/301
D905,442	S	12/2020	Yang	.....	
D919,308	S *	5/2021	Yang	.....	D6/301
D934,577	S *	11/2021	Liu	.....	D6/301
D942,760	S *	2/2022	Cui	.....	D6/302
D947,550	S *	4/2022	Li	.....	D6/301
2018/0199737	A1 *	7/2018	Welch	.....	A47G 1/1686
2019/0328113	A1 *	10/2019	Long	.....	A45D 42/16

\* cited by examiner

*Primary Examiner* — Deanna L Pratt

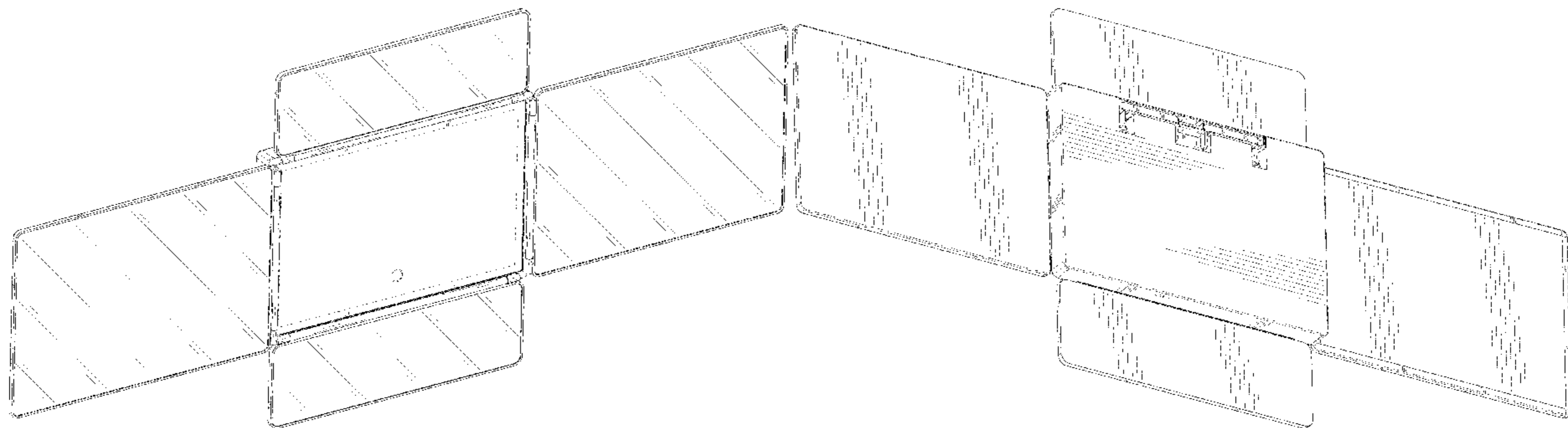
(57) **CLAIM**

The ornamental design for a foldable mirror, as shown and described.

**DESCRIPTION**

FIG. 1 is a perspective view of a foldable mirror showing my new design shown in a first open position;  
 FIG. 2 is another perspective view thereof;  
 FIG. 3 is a front elevational view thereof;  
 FIG. 4 is a rear elevational view thereof;  
 FIG. 5 is a left side elevational view thereof;  
 FIG. 6 is a right side elevational view thereof;  
 FIG. 7 is a top plan view thereof;  
 FIG. 8 is a bottom plan view thereof;  
 FIG. 9 is a perspective view of the foldable mirror where the foldable mirror is in a second open position;  
 FIG. 10 is a perspective view of the foldable mirror where the foldable mirror is in a third open position; and,  
 FIG. 11 is a perspective view of the foldable mirror where the foldable mirror is in a closed state.  
 The broken lines in the drawings depict portions of the foldable mirror that form no part of the claimed design.

**1 Claim, 11 Drawing Sheets**



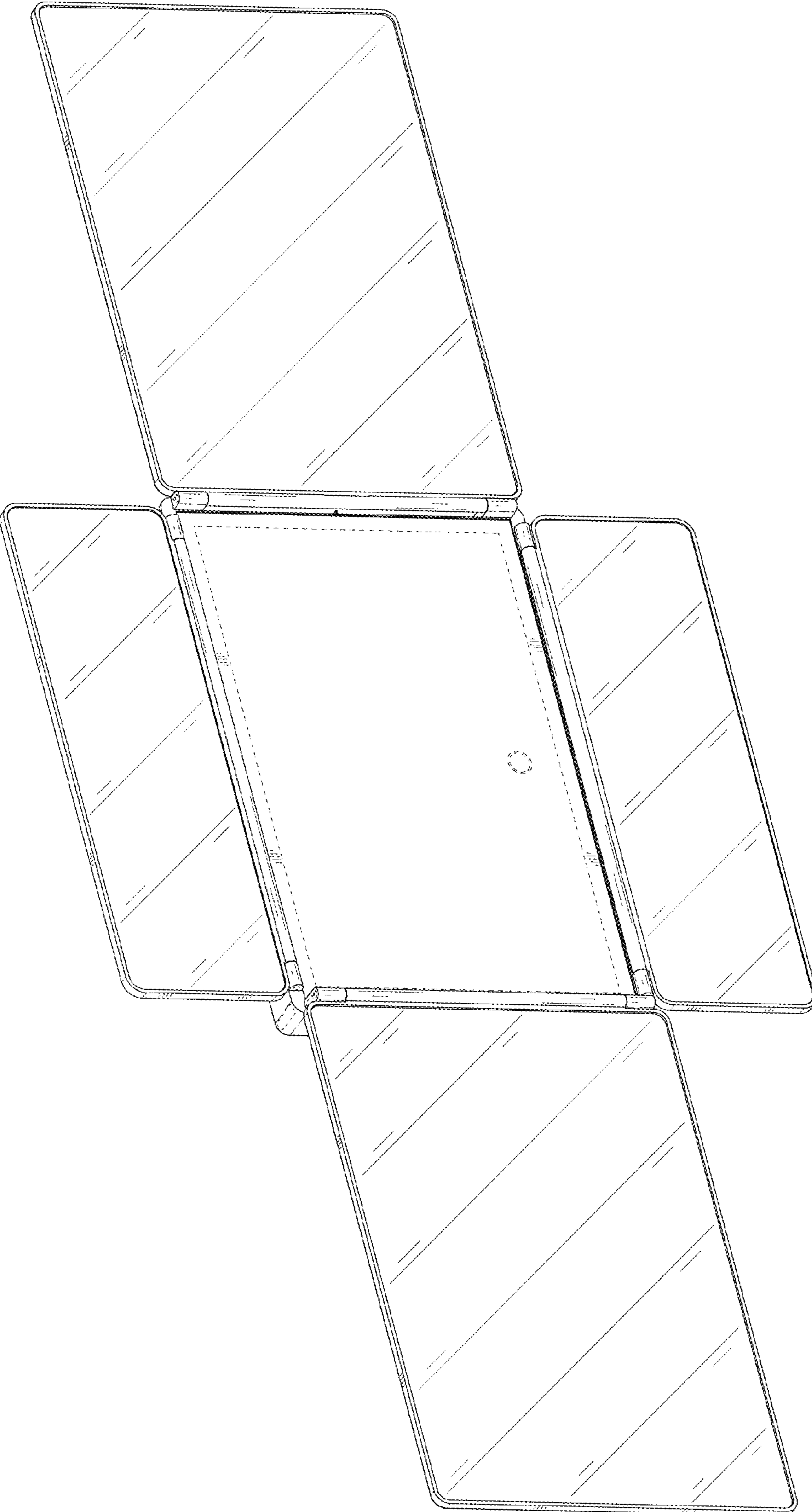


FIG. 1

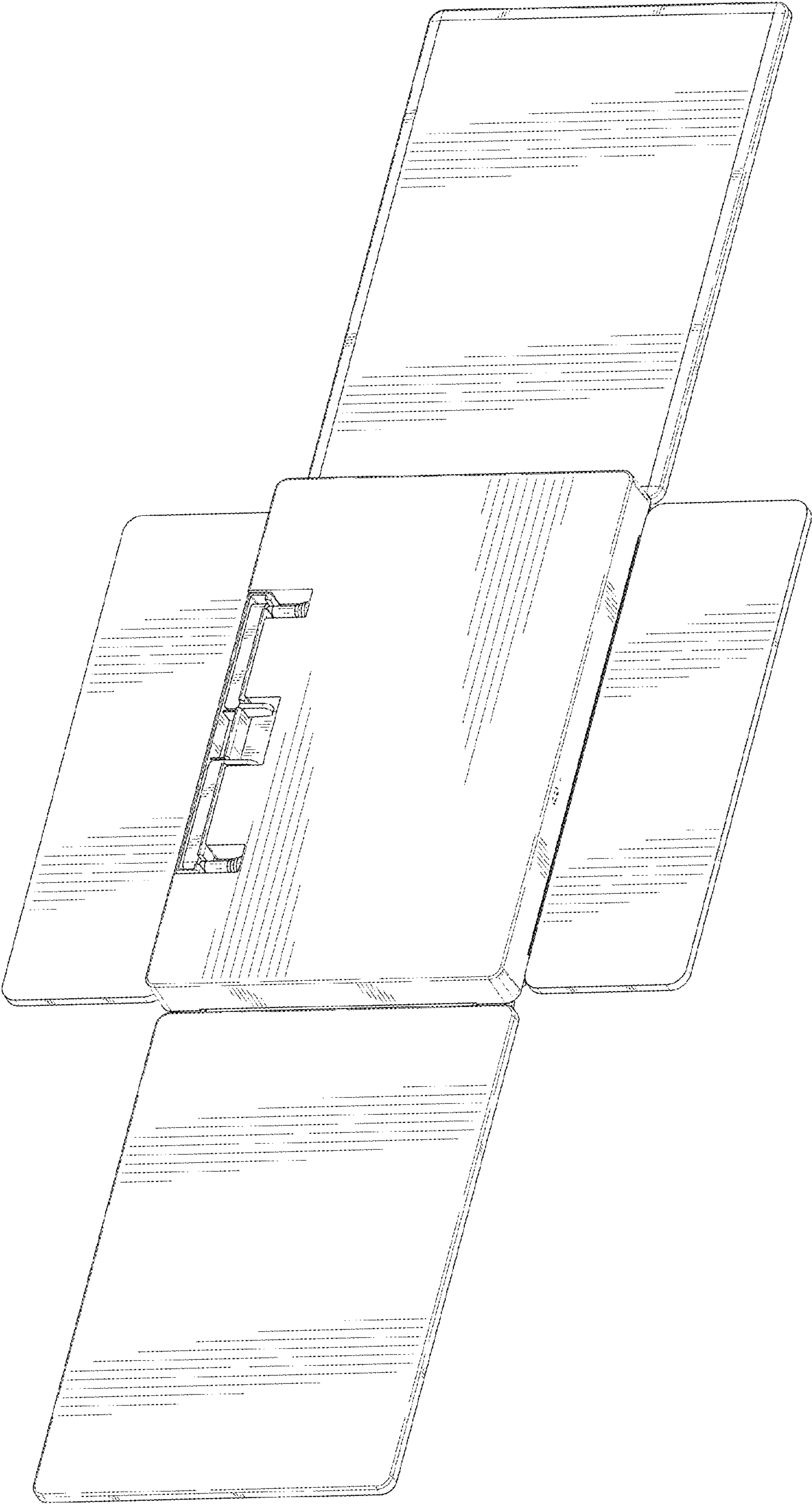


FIG. 2

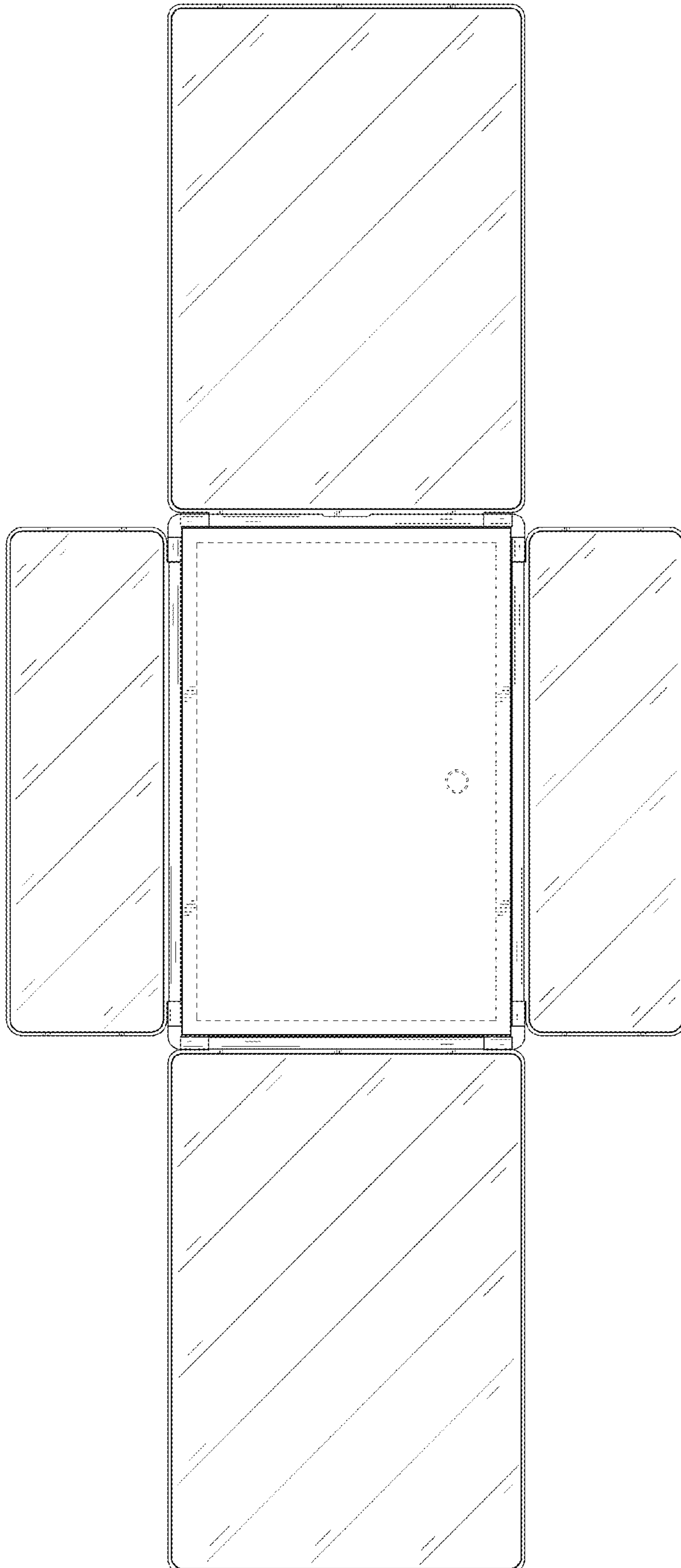


FIG. 3

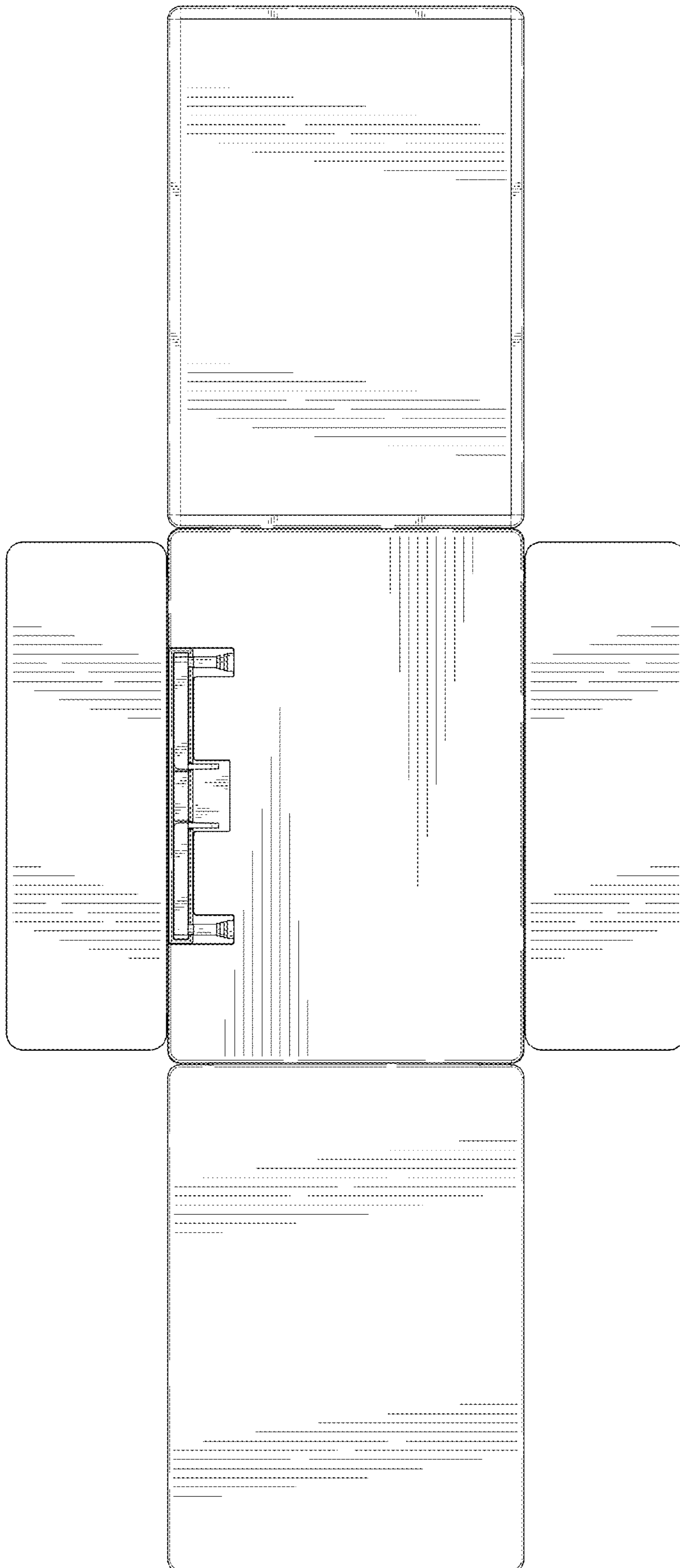


FIG. 4

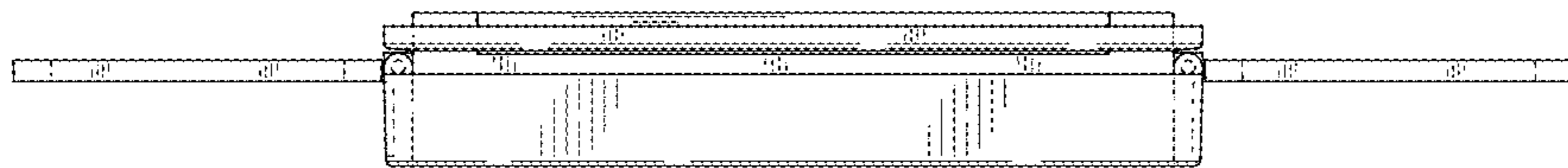


FIG. 5

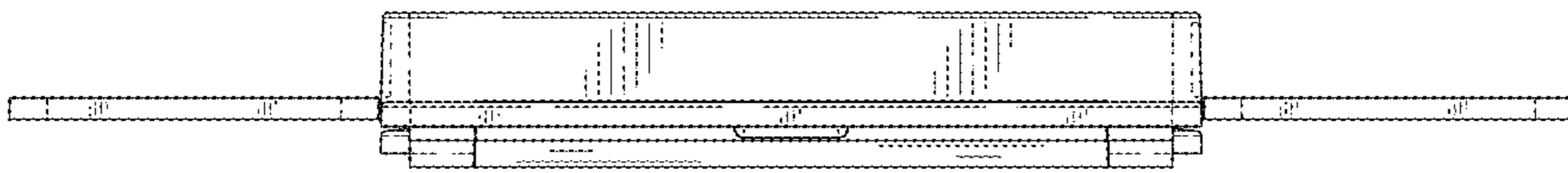


FIG. 6

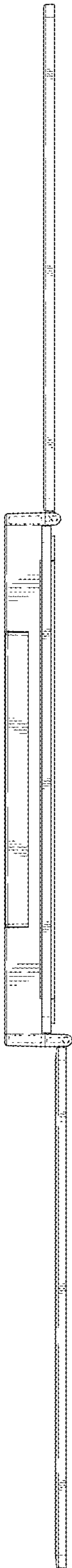


FIG. 7



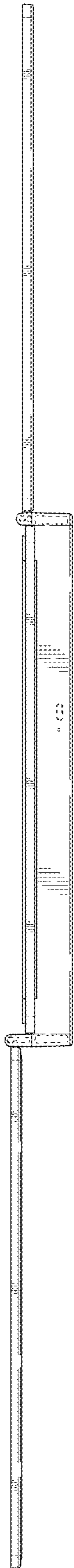


FIG. 8

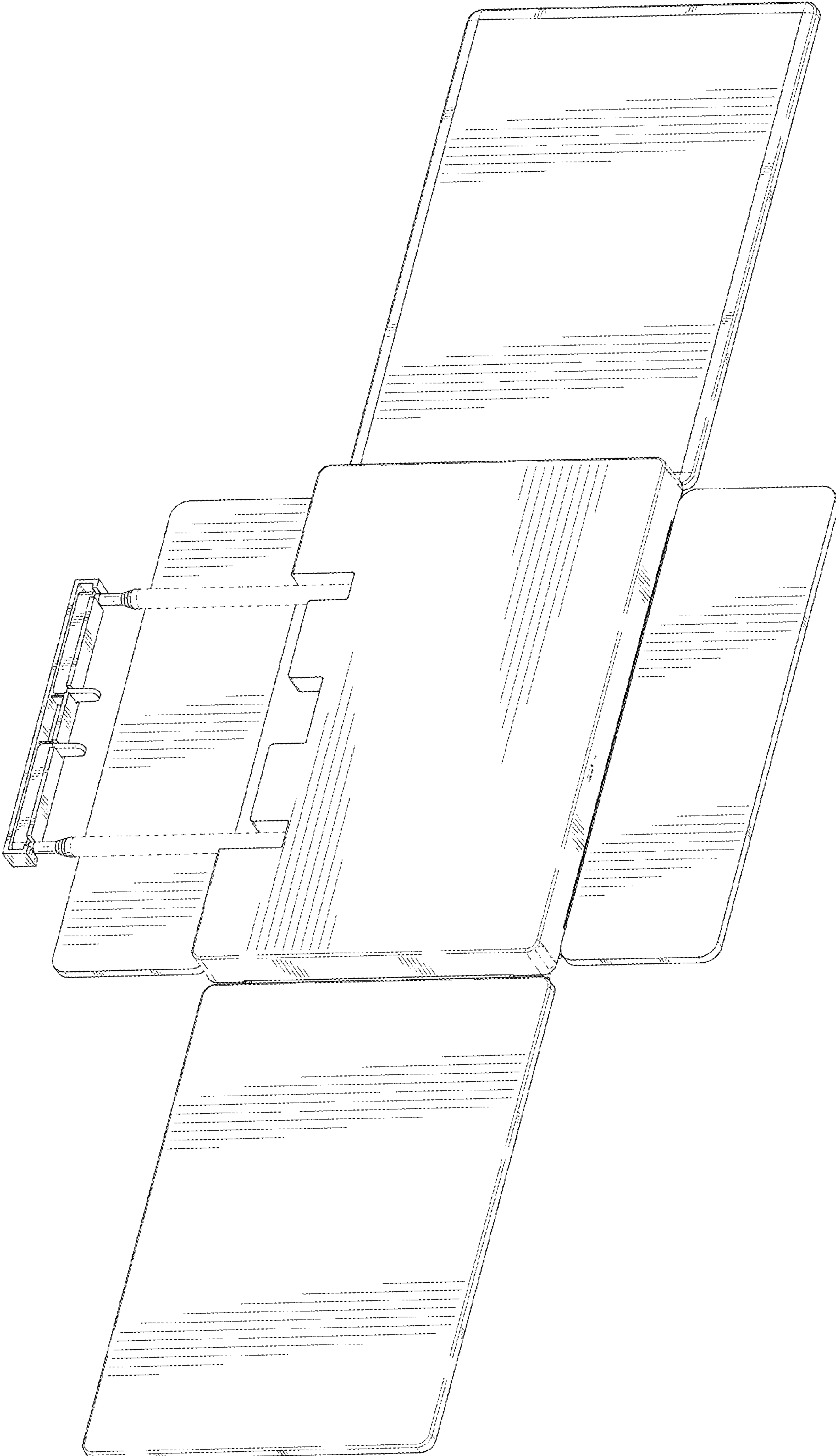


FIG. 9

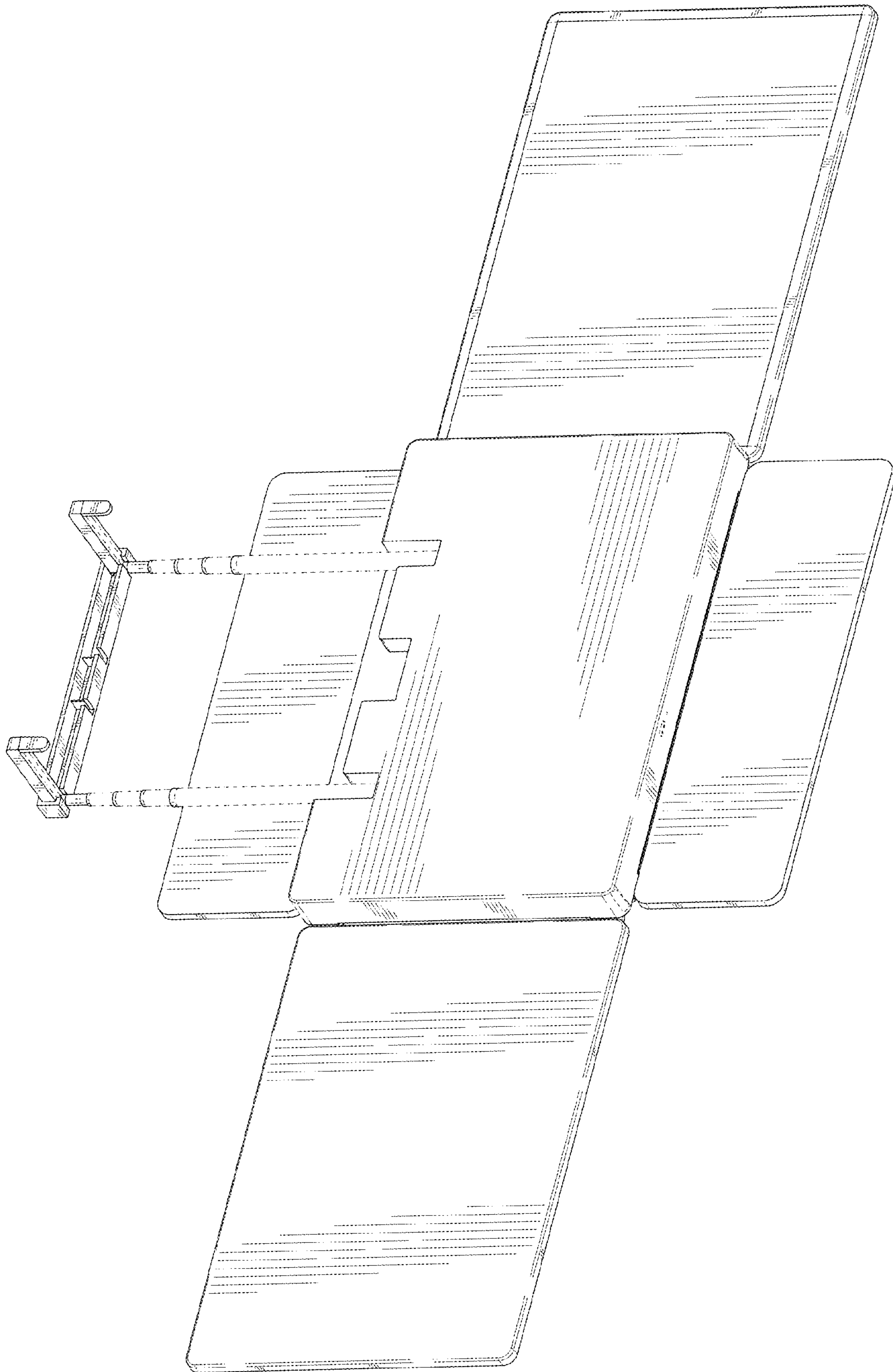


FIG. 10

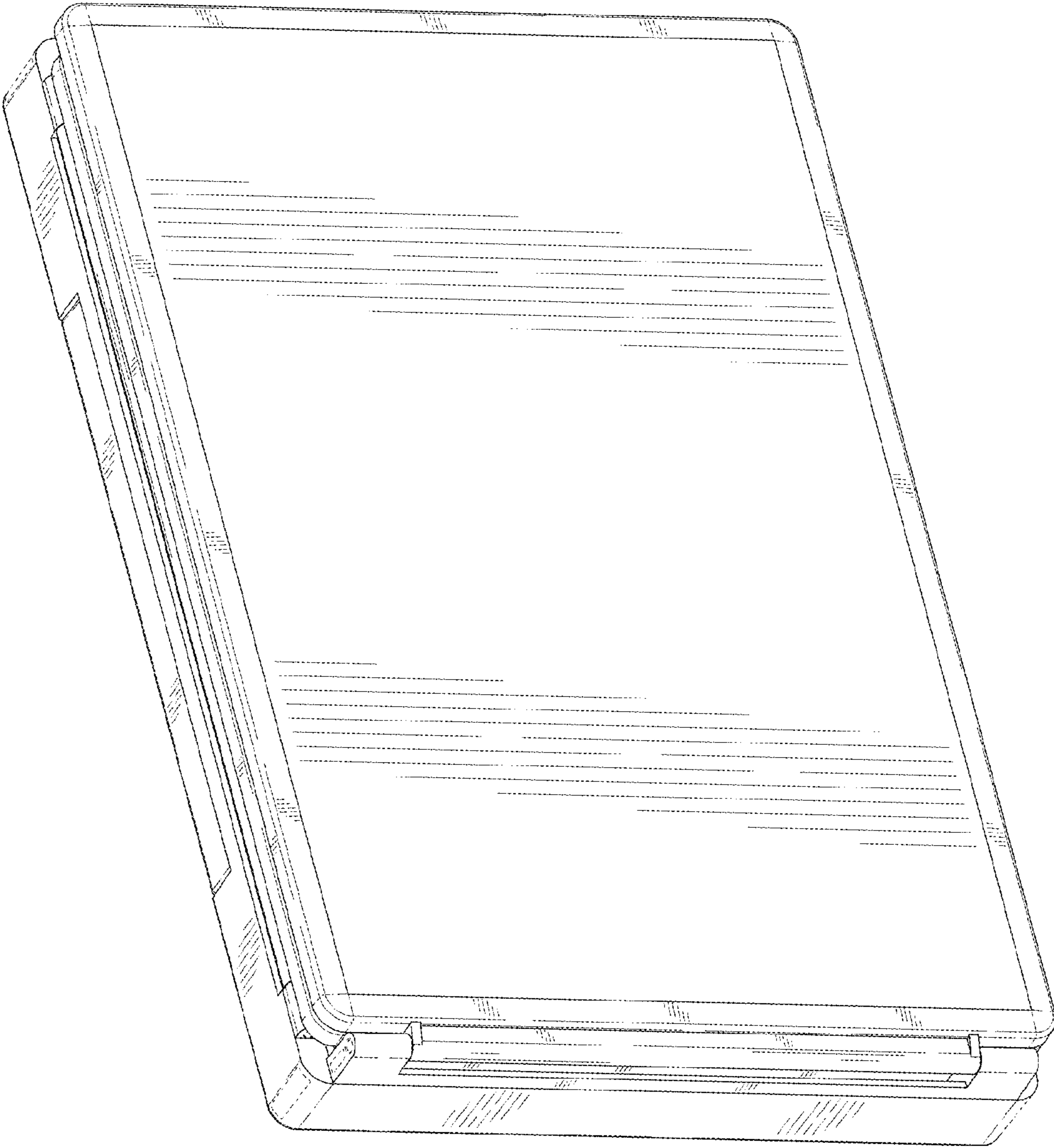


FIG. 11