

US00D964751S

(12) **United States Design Patent** (10) **Patent No.:** **US D964,751 S**
Monson (45) **Date of Patent:** **** Sep. 27, 2022**

(54) **VOLUMIZING AND DIFFUSING HAIRBRUSH**

3,886,617 A 6/1975 Labran et al.
3,947,914 A * 4/1976 Jacoby A46B 17/04
15/203

(71) Applicant: **CLM Creations LLC**, Hopkins, MN (US)

D334,665 S 4/1993 Johnson
(Continued)

(72) Inventor: **Cherie Monson**, Hopkins, MN (US)

FOREIGN PATENT DOCUMENTS

(73) Assignee: **CLM CREATIONS LLC**, Hopkins, MN (US)

JP H0345203 A 11/1983
KR 950003292 Y1 4/1995
KR 100565984 B1 3/2006

(**) Term: **15 Years**

OTHER PUBLICATIONS

(21) Appl. No.: **29/746,902**

Ultimate Air Dryer Hair Brush. Website. Retrieved Apr. 16, 2019.
<https://www.ecotools.com/ultimate-air-dryer-hair-brush/p/7495>.

(22) Filed: **Aug. 18, 2020**

(Continued)

Related U.S. Application Data

Primary Examiner — Karen E Eldridge Powers
(74) *Attorney, Agent, or Firm* — Grumbles Law PLLC;
Brittany Nanzig

(63) Continuation of application No. 29/693,522, filed on Jun. 3, 2019, now Pat. No. Des. 899,097.

(51) **LOC (13) Cl.** **04-02**

(57) **CLAIM**

The ornamental design for a volumizing and diffusing hairbrush, as shown and described.

(52) **U.S. Cl.**

USPC **D4/134**

DESCRIPTION

(58) **Field of Classification Search**

USPC D4/100, 116, 121, 130, 132, 134, 136,
D4/138, 199; D28/13, 24, 28, 31, 35, 25,
D28/15; D7/669

CPC A46B 9/02; A46B 9/023; A46B 9/028;
A46B 15/0059

See application file for complete search history.

FIG. 1 is a front left perspective view of a volumizing and diffusing hairbrush showing my new design.

FIG. 2 is a front elevational view of the volumizing and diffusing hairbrush.

FIG. 3 is a back elevational view of the volumizing and diffusing hairbrush.

FIG. 4 is a top plan view of the volumizing and diffusing hairbrush.

FIG. 5 is a left side view of the volumizing and diffusing hairbrush; and,

FIG. 6 is a right side view of the volumizing and diffusing hairbrush.

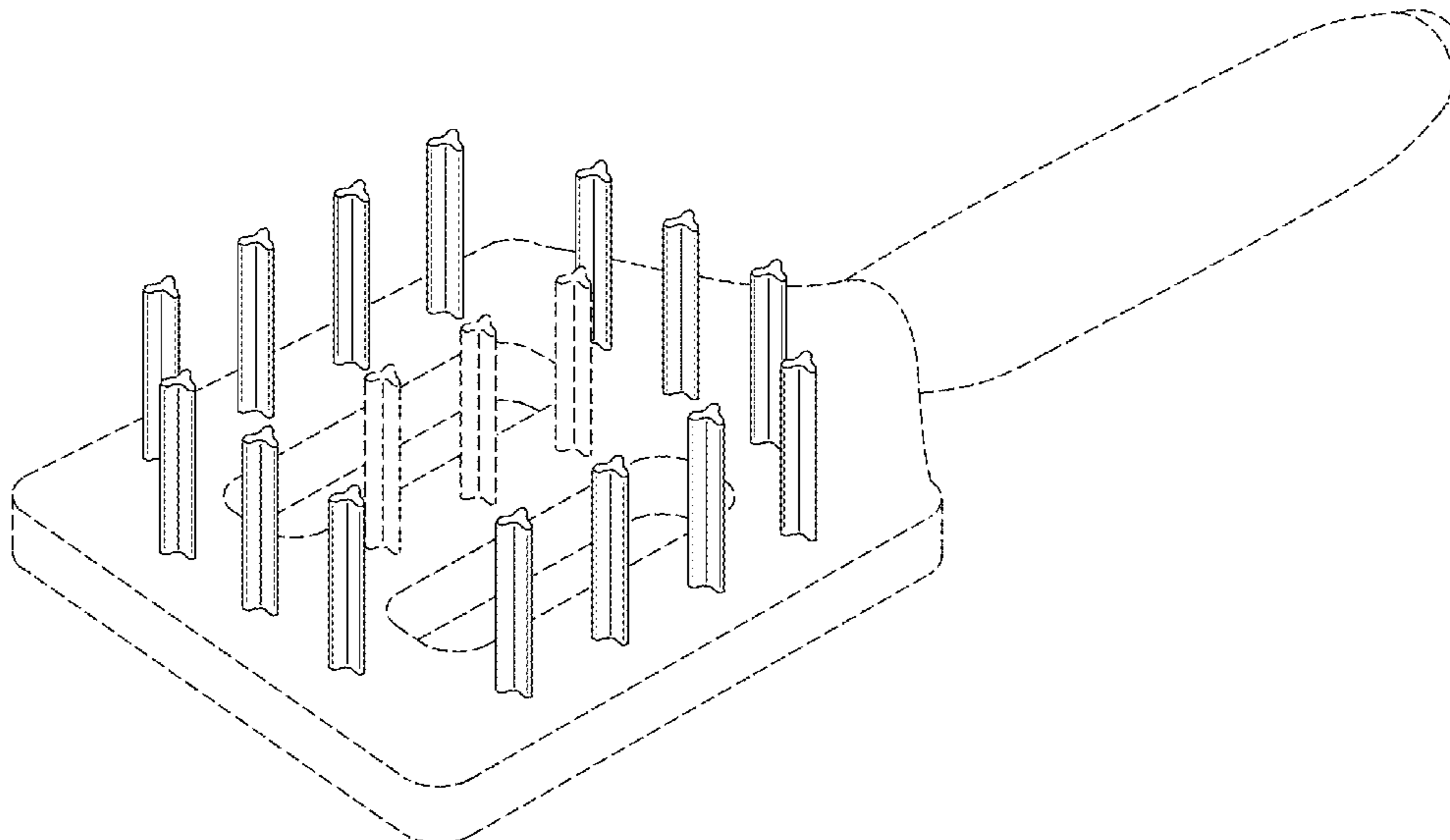
The broken lines in the drawings depict parts of the volumizing and diffusing hairbrush that form no part of the claimed design.

(56) **References Cited**

U.S. PATENT DOCUMENTS

D92,170 S 5/1934 Ganary
D96,261 S 7/1935 Kogan
D104,618 S 5/1937 Tourigny
D166,086 S 3/1952 Febvre
D176,304 S 12/1955 Bennett
D176,554 S 1/1956 Racicot
D232,547 S 8/1974 Walti

1 Claim, 5 Drawing Sheets



(56)

References Cited

U.S. PATENT DOCUMENTS

D384,058	S	9/1997	Pinon	
D388,289	S	12/1997	Denison et al.	
5,715,847	A	2/1998	Rolf et al.	
D417,551	S	12/1999	Pinchuk	
6,158,442	A	12/2000	Piatetsky	
D547,068	S	7/2007	Major	
8,448,349	B2	5/2013	Kloeppel-Riech et al.	
9,265,339	B2	2/2016	White	
D790,768	S	6/2017	Dube	
D839,608	S	2/2019	Laenner	
D899,097	S *	10/2020	Monson	D4/134
2010/0176562	A1	7/2010	Linzell	
2015/0082568	A1 *	3/2015	Stanley	A46D 1/0246 15/160

OTHER PUBLICATIONS

FingerBrush Vented Hair Brush. Website. Retrieved Apr. 16, 2019.
<https://www.ulta.com/fingerbrush-vented-hair-brush?productId>.
Conair Pro Universal Volumizing Diffuser Website. Retrieved May
3, 2019. <https://www.amazon.com>: Conair Pro Universal Volumiz-
ing Diffuser: Beauty.

* cited by examiner

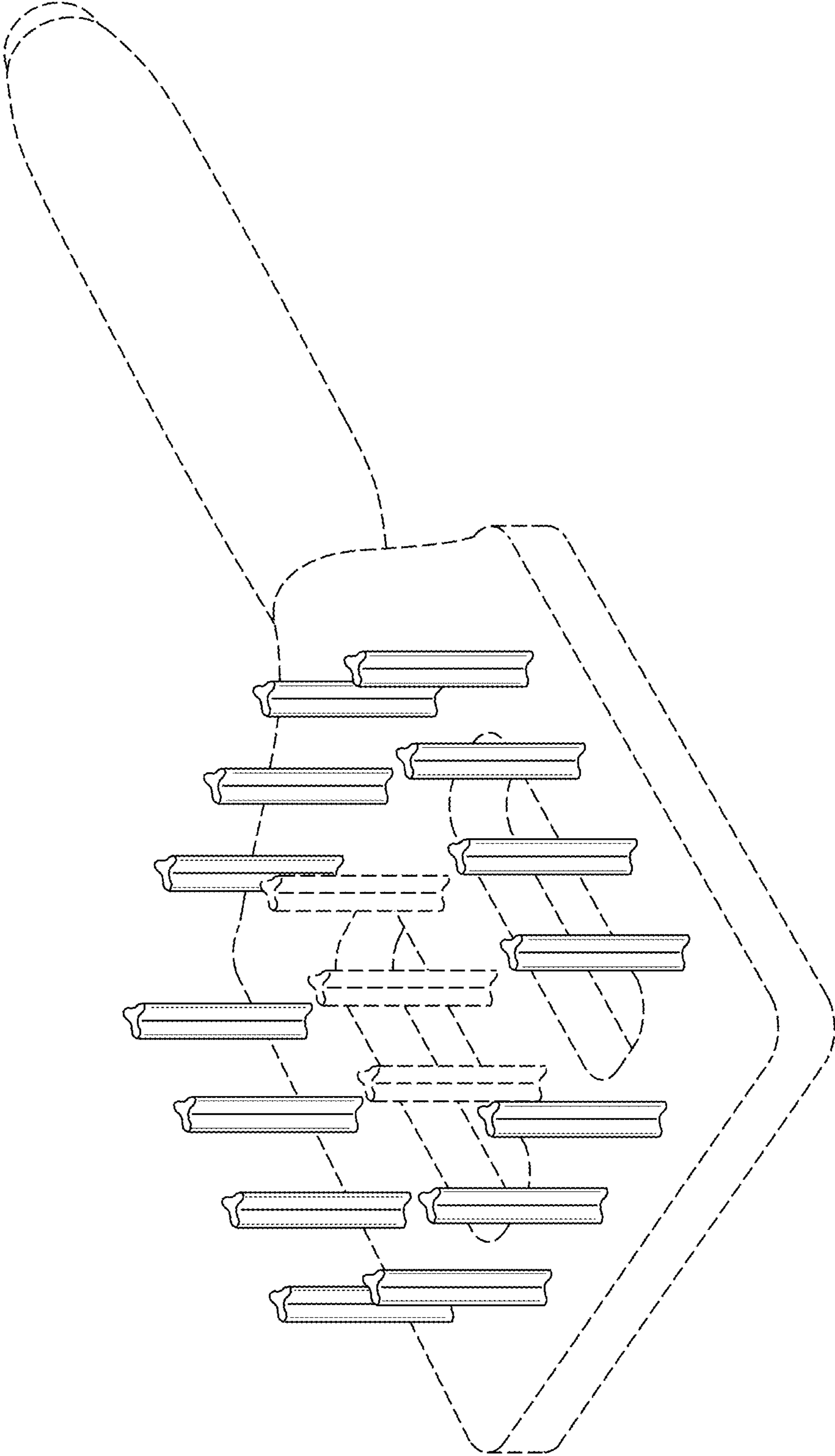


FIG. 1

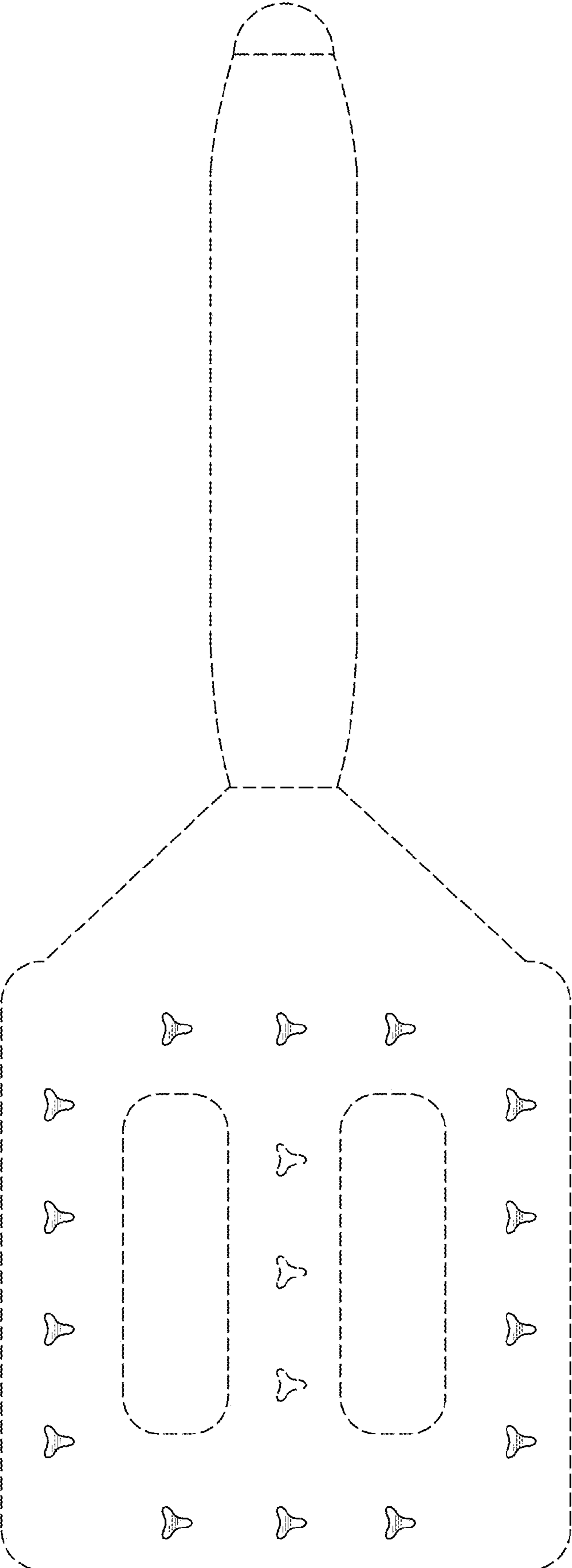


FIG. 2

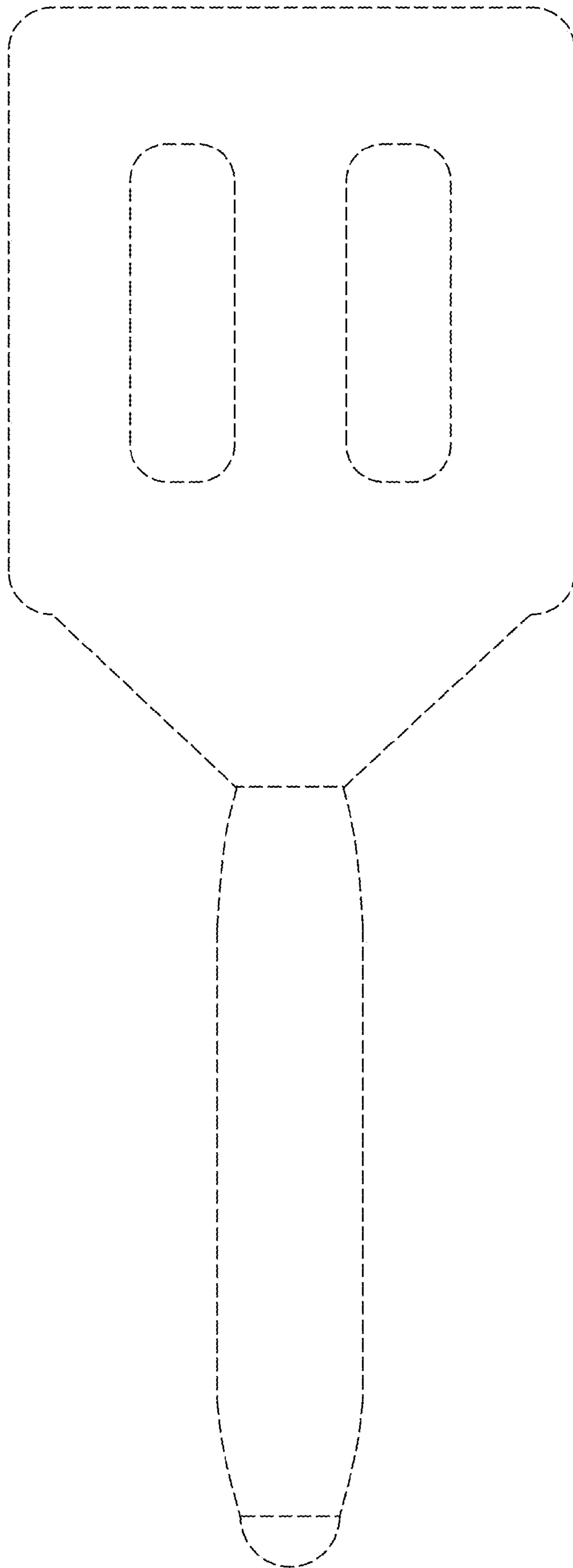


FIG. 3

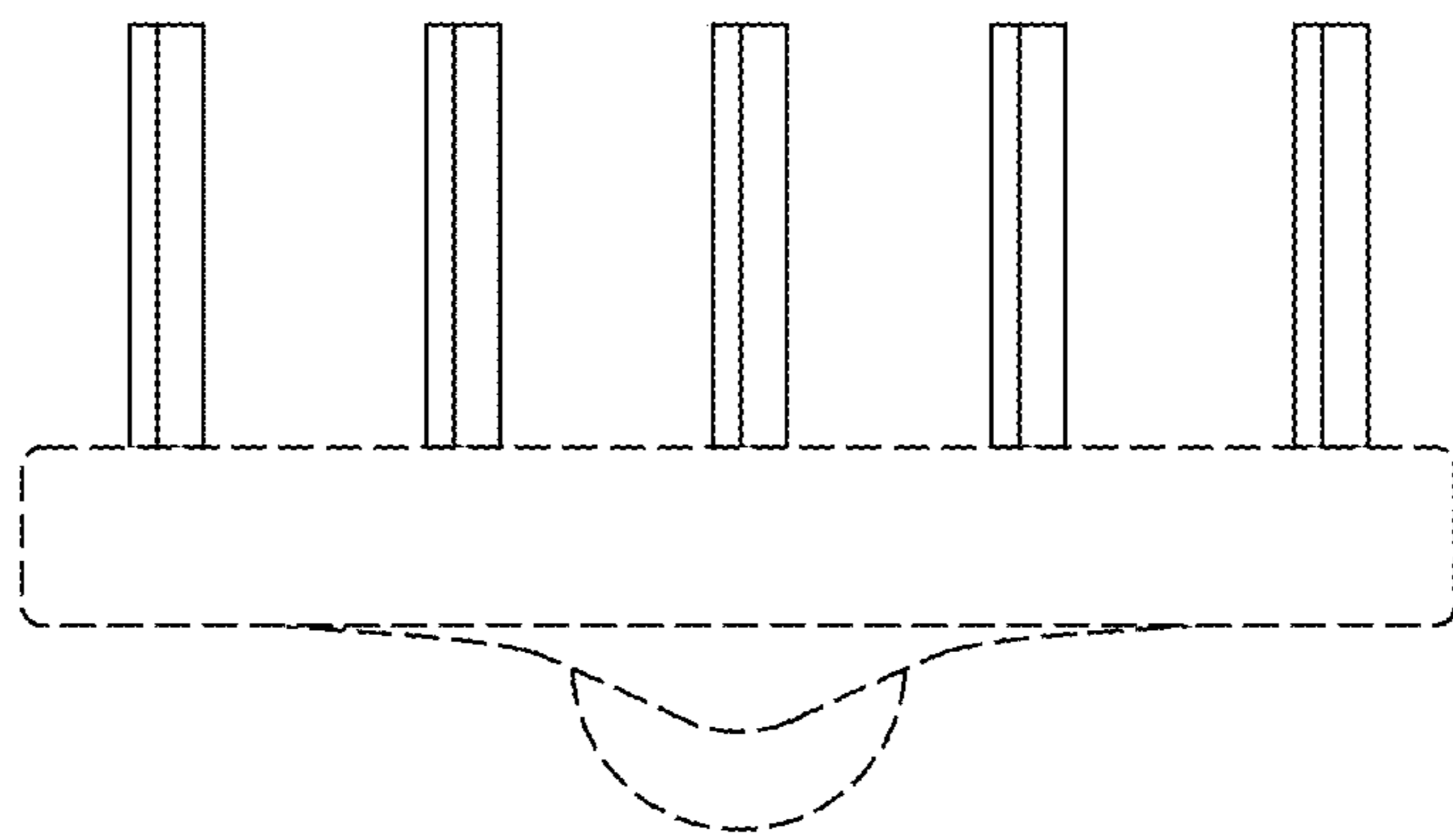


FIG. 4

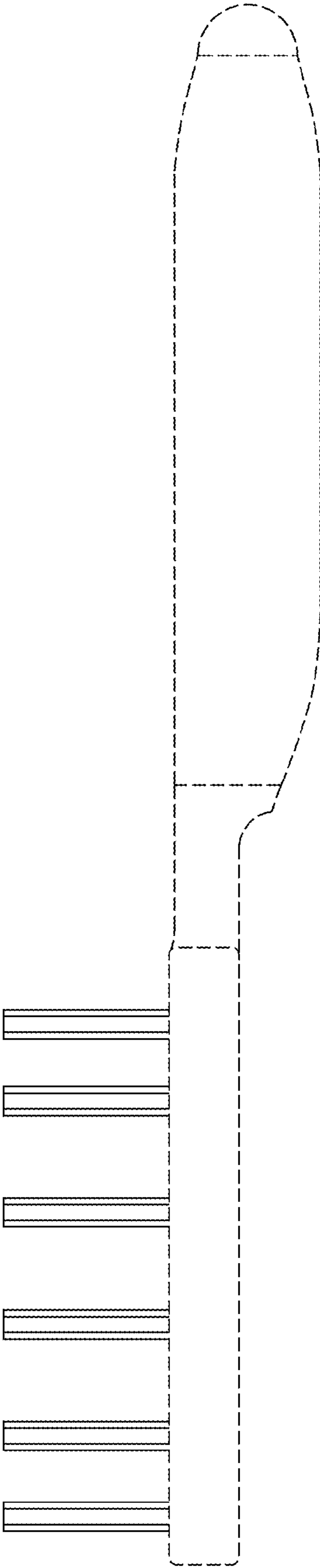


FIG. 5

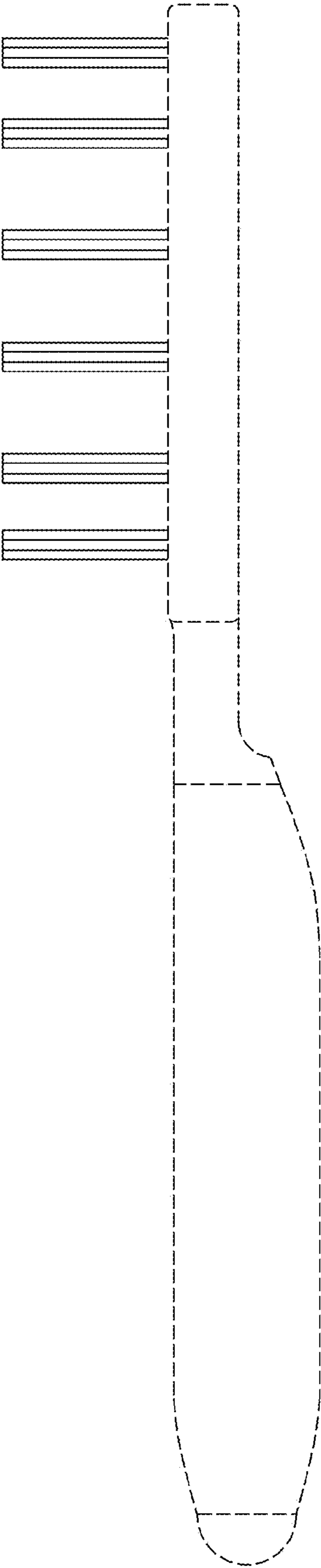


FIG. 6