



US00D964749S

(12) **United States Design Patent**
Zeng

(10) **Patent No.:** **US D964,749 S**

(45) **Date of Patent:** **** Sep. 27, 2022**

(54) **PAINT ROLLER**

(71) Applicant: **Caiyun Zeng**, Guangdong (CN)

(72) Inventor: **Caiyun Zeng**, Guangdong (CN)

(**) Term: **15 Years**

(21) Appl. No.: **29/816,047**

(22) Filed: **Nov. 18, 2021**

(51) **LOC (13) Cl.** **04-01**

(52) **U.S. Cl.**
USPC **D4/122**

(58) **Field of Classification Search**
USPC D4/122, 138; 15/27, 104.001, 104.002,
15/230.11; 492/13, 16-19
CPC A47L 9/0626; A47L 9/0488; A47L 9/0477
See application file for complete search history.

(56) **References Cited**

U.S. PATENT DOCUMENTS

2,087,888	A *	7/1937	Adams	B05C 17/0207 492/19
D206,258	S *	11/1966	Roth	D4/122
3,343,194	A *	9/1967	Ramelson	A47L 25/005 15/230.11
D396,906	S *	8/1998	Medici	D4/122
6,648,904	B2 *	11/2003	Altshuler	A61N 5/0616 492/46
D532,203	S *	11/2006	Tuman	D4/122
7,621,234	B2 *	11/2009	Roy	A46B 7/10 119/613
D638,222	S *	5/2011	Molinet	D4/122
D657,955	S *	4/2012	Morris	D4/122

D661,491	S *	6/2012	Bunnag	D4/122
D671,748	S *	12/2012	Guyton	D4/122
D676,246	S *	2/2013	Gold	D4/122
D690,944	S *	10/2013	Lee	D4/122
D696,826	S *	12/2013	Seehoff	D4/138
9,358,376	B2 *	6/2016	Altarac	A61M 37/0015
D773,827	S	12/2016	Typrowicz et al.		
9,867,515	B2 *	1/2018	Ventress	A47L 9/0626
D855,332	S	8/2019	Huang		
D914,311	S *	3/2021	Wytovicz	D32/46
D928,441	S *	8/2021	Wytovicz	D7/697
D939,098	S *	12/2021	Lombardo	D24/211

* cited by examiner

Primary Examiner — Austin Murphy

(74) *Attorney, Agent, or Firm* — ScienBiziP, P.C.

(57) **CLAIM**

The ornamental design for a paint roller, as shown and described.

DESCRIPTION

FIG. 1 is a rear, left, and top perspective view of a paint roller, showing my design.

FIG. 2 is a front, right, and bottom perspective view thereof.

FIG. 3 is a front elevation view thereof.

FIG. 4 is a rear elevation view thereof.

FIG. 5 is a left side elevation view thereof.

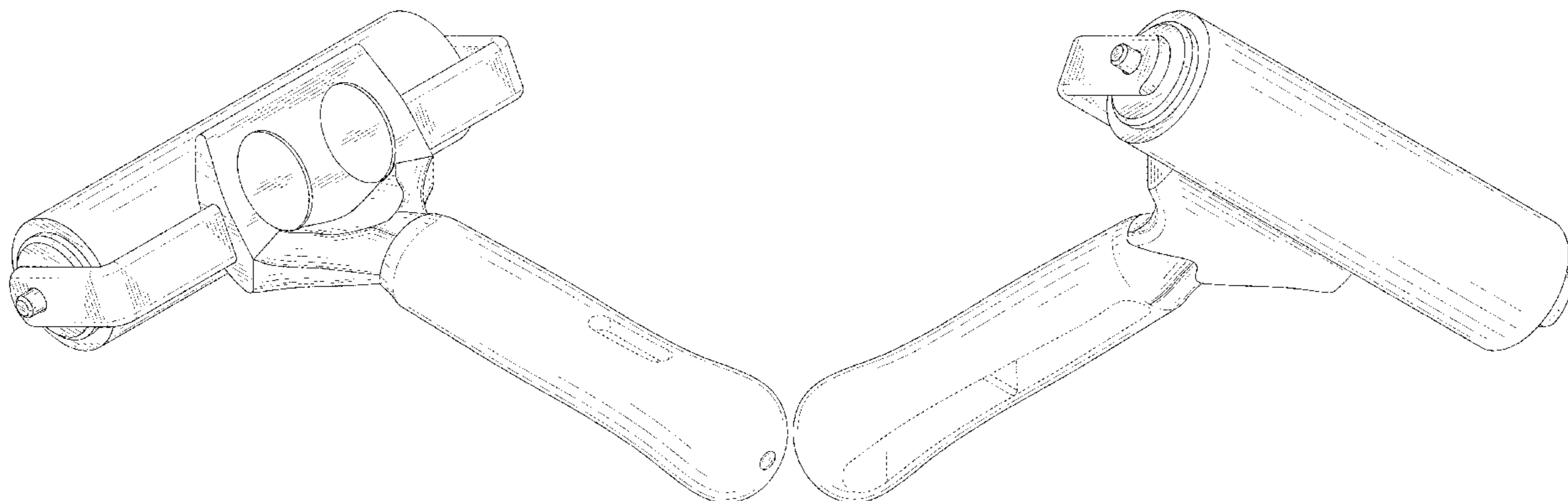
FIG. 6 is a right side elevation view thereof.

FIG. 7 is a top plan view thereof; and,

FIG. 8 is a bottom plan view thereof.

The broken lines shown in the drawings are included for the purpose of illustrating portions of the paint roller that form no part of the claimed design.

1 Claim, 8 Drawing Sheets



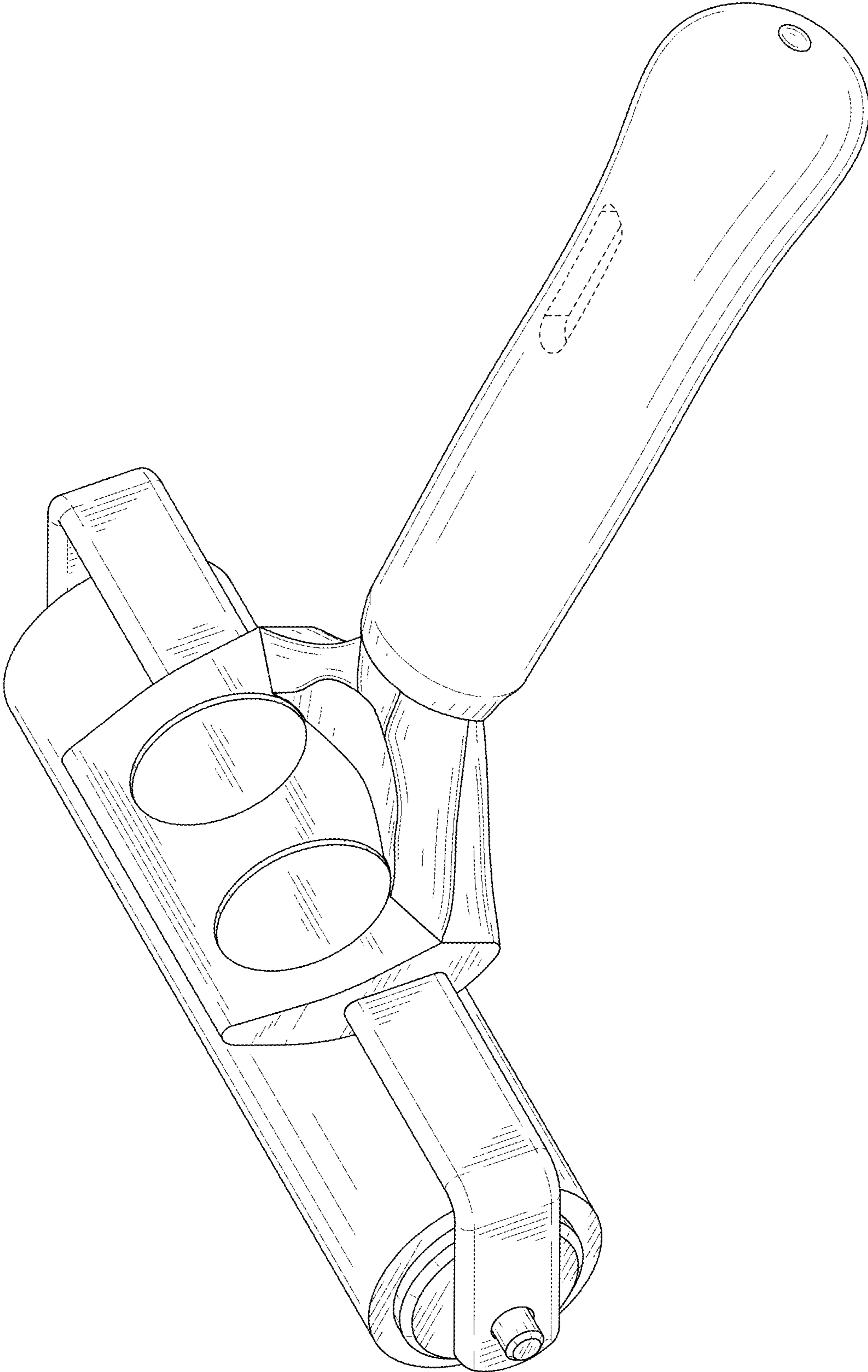


FIG. 1

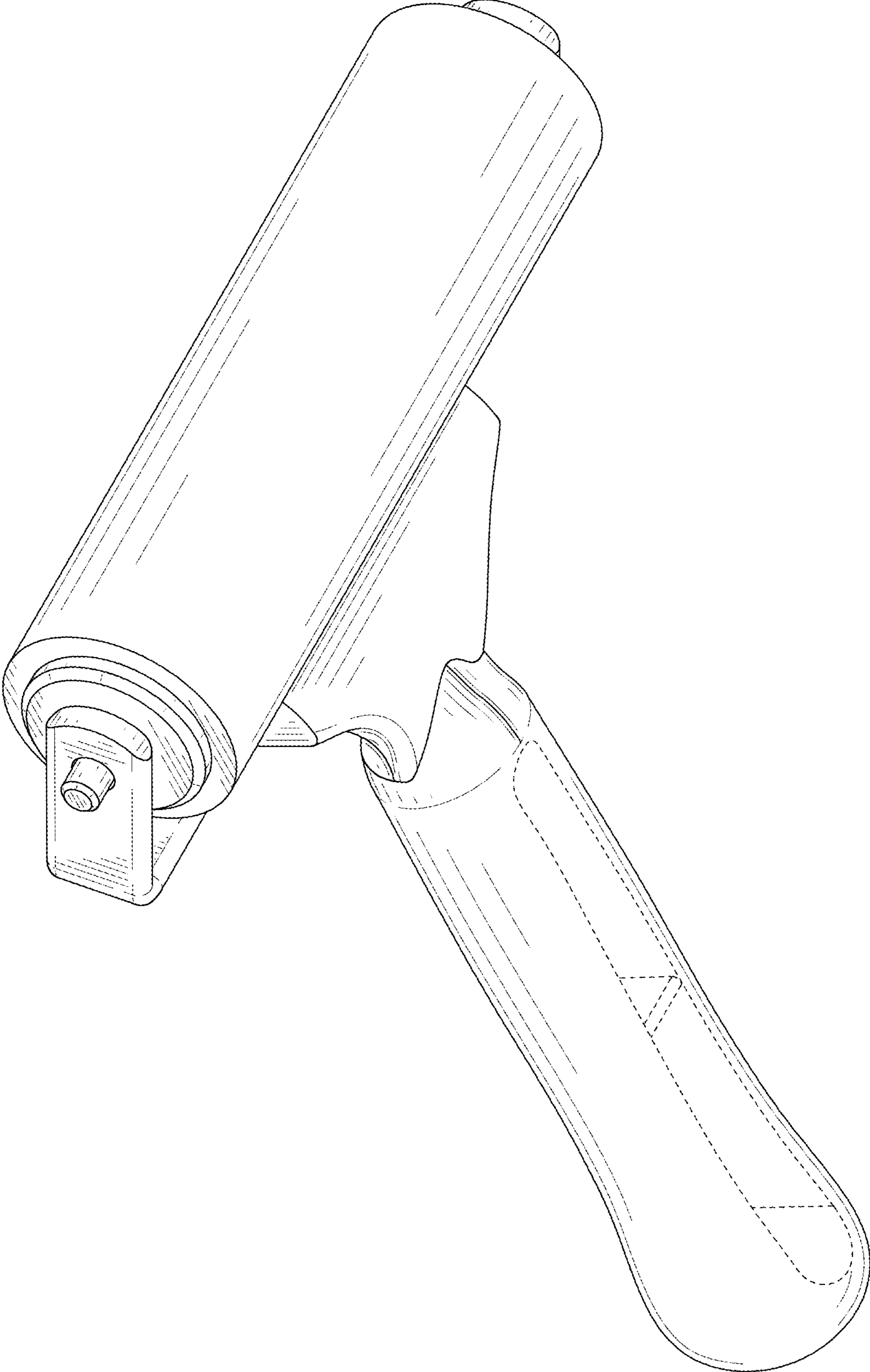


FIG. 2

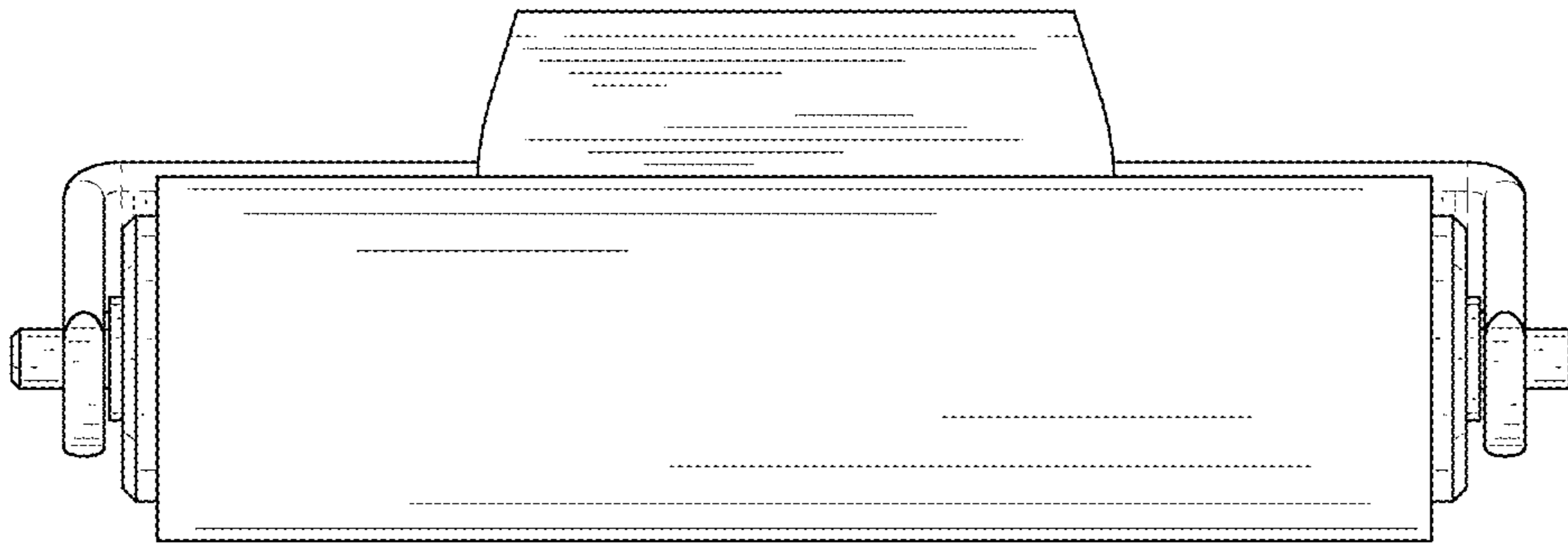


FIG. 3

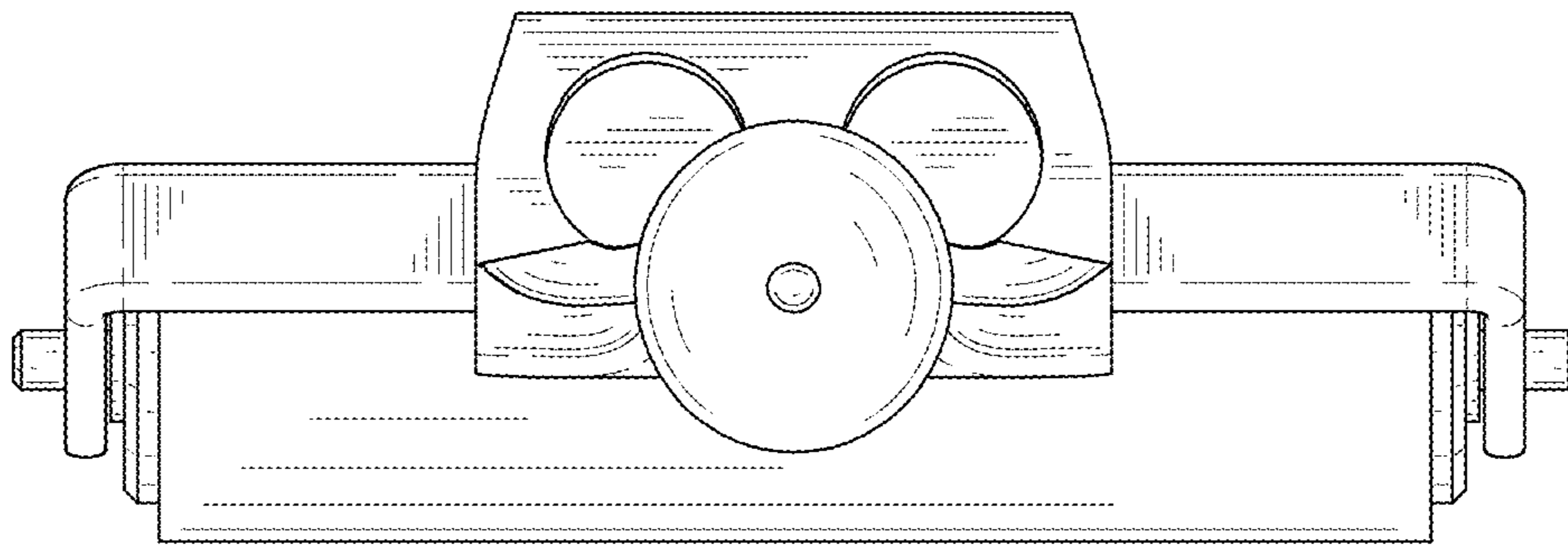


FIG. 4

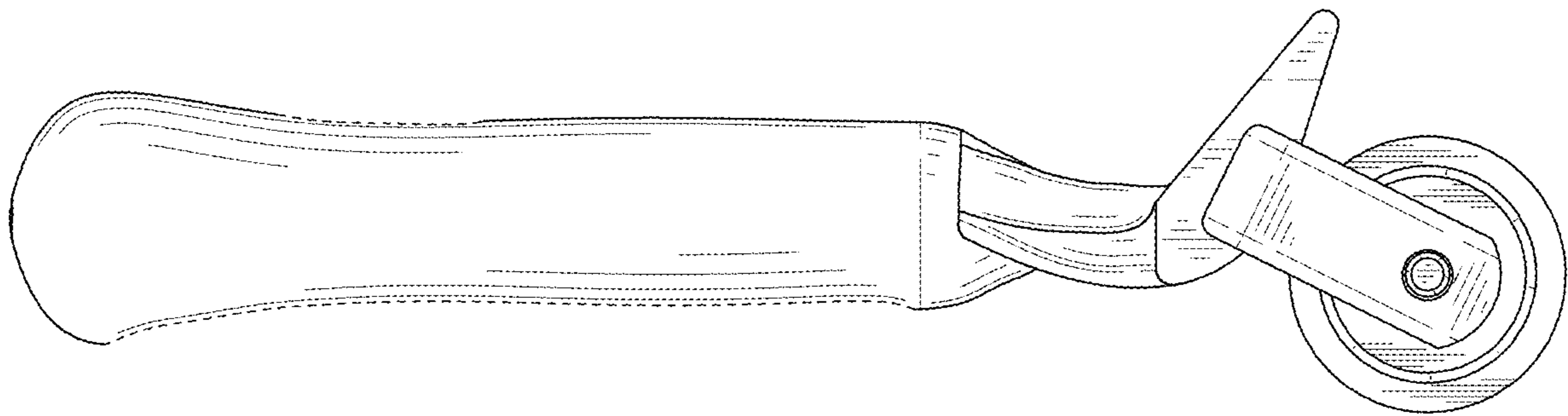


FIG. 5

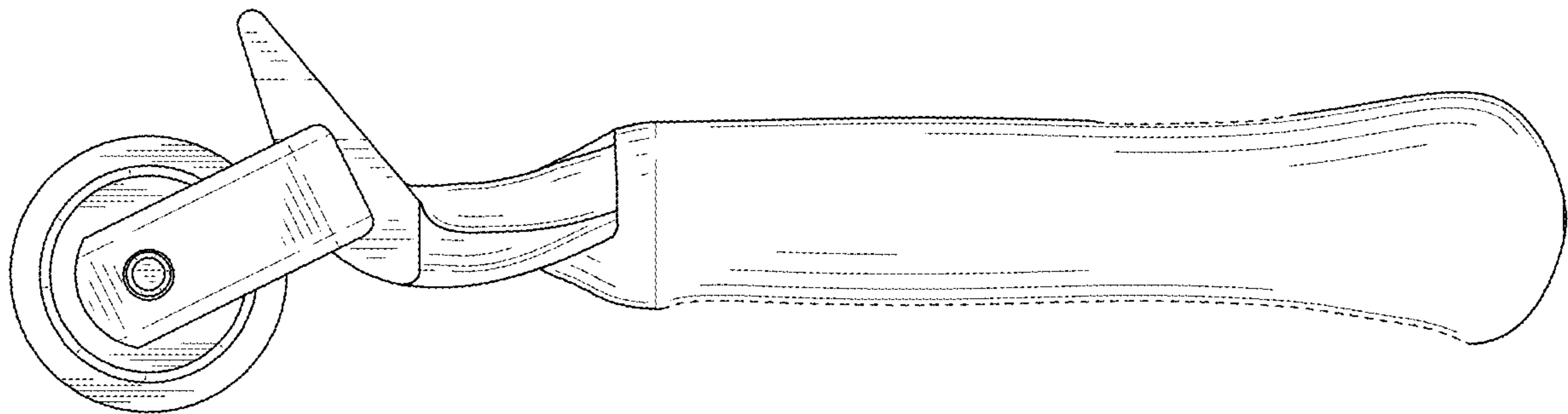


FIG. 6

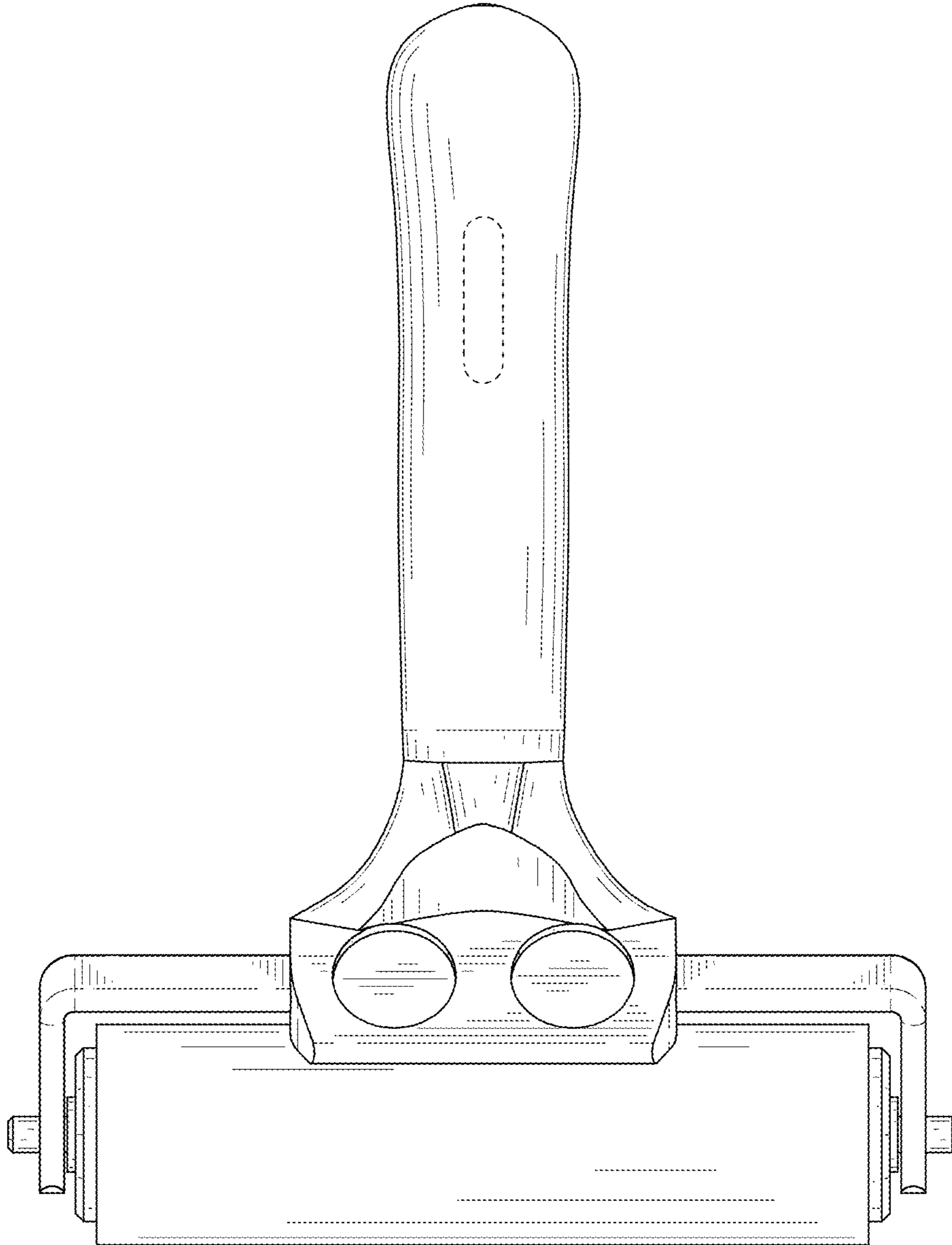


FIG. 7

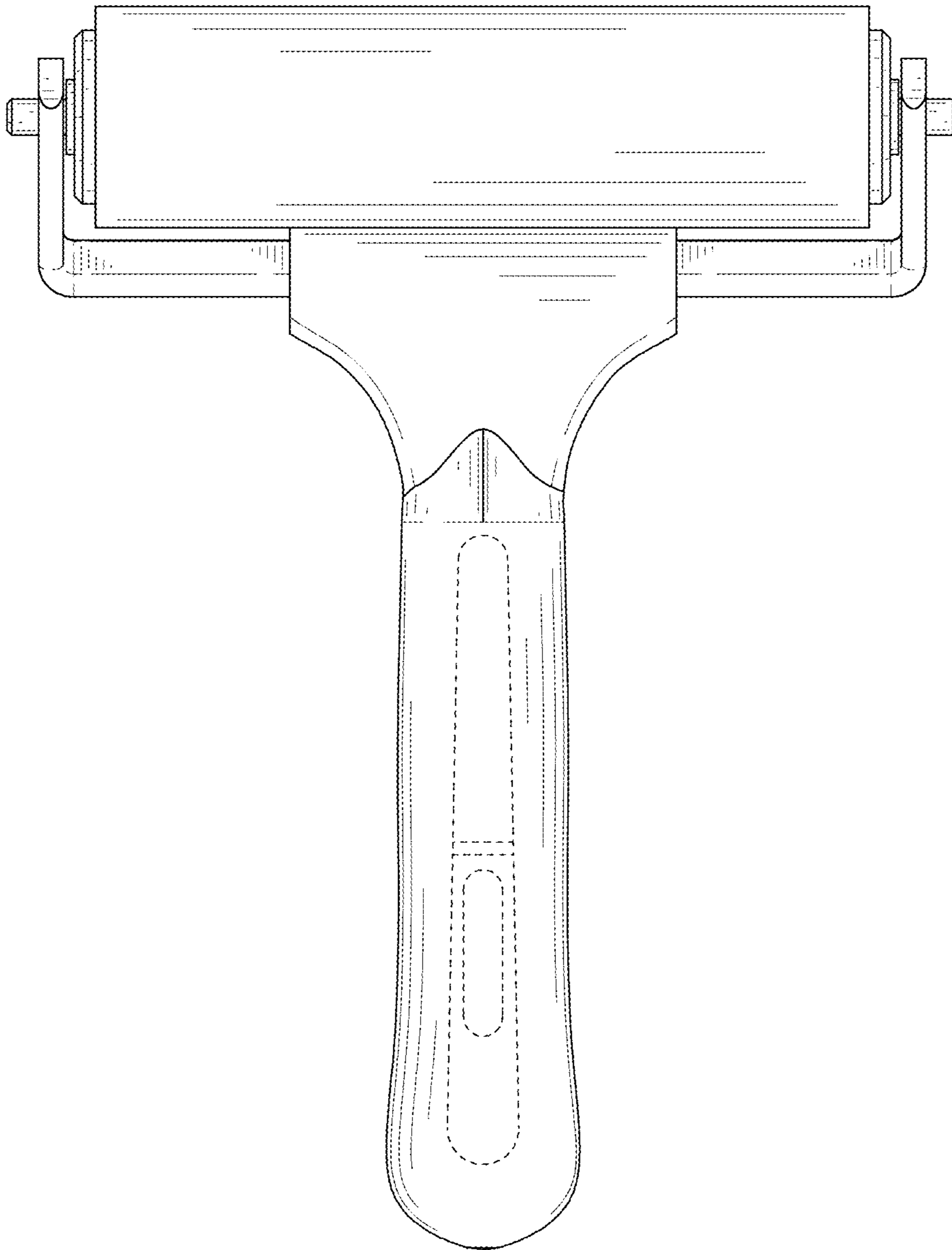


FIG. 8