

US00D964748S

(12) **United States Design Patent**
Li

(10) **Patent No.:** **US D964,748 S**
(45) **Date of Patent:** **** Sep. 27, 2022**

- (54) **HAIR REMOVAL BRUSH**
- (71) Applicant: **DONGGUAN SHENGHE PLASTIC TECHNOLOGY CO., LTD.,**
Dongguan (CN)
- (72) Inventor: **Jiixin Li, Maoming (CN)**
- (73) Assignee: **DONGGUAN SHENGHE PLASTIC TECHNOLOGY CO., LTD.,**
Dongguan (CN)
- (**) Term: **15 Years**
- (21) Appl. No.: **29/805,694**
- (22) Filed: **Aug. 30, 2021**

(30) **Foreign Application Priority Data**

Mar. 8, 2021 (CN) 202130124370.7

- (51) **LOC (13) Cl.** **04-01**
- (52) **U.S. Cl.**
USPC **D4/122**
- (58) **Field of Classification Search**
USPC D4/122, 138; 15/27, 104.001, 104.002,
15/230.11; 492/13, 16-19
CPC A47L 9/0626; A47L 9/0488; A47L 9/0477
See application file for complete search history.

(56) **References Cited**

U.S. PATENT DOCUMENTS

- 2,087,888 A * 7/1937 Adams B05C 17/0207
492/19
- D206,258 S * 11/1966 Roth D4/122
- 3,343,194 A * 9/1967 Ramelson A47L 25/005
15/230.11
- D396,906 S * 8/1998 Medici D4/122

- 6,648,904 B2 * 11/2003 Altshuler A61N 5/0616
492/46
- D532,203 S * 11/2006 Tuman D4/122
- 7,621,234 B2 * 11/2009 Roy A46B 7/10
119/613
- D638,222 S * 5/2011 Molinet D4/122
- D657,955 S * 4/2012 Morris D4/122
- D661,491 S * 6/2012 Bunnag D4/122
- D671,748 S * 12/2012 Guyton D4/122
- D676,246 S * 2/2013 Gold D4/122
- D690,944 S * 10/2013 Lee D4/122
- D696,826 S * 12/2013 Seehoff D4/138
- 9,358,376 B2 * 6/2016 Altarac A61M 37/0015
- 9,867,515 B2 * 1/2018 Ventress A47L 9/0626
- D890,530 S 7/2020 Quan
- D910,246 S 2/2021 Zhang
- D914,311 S * 3/2021 Wytovicz D32/46
- D928,441 S * 8/2021 Wytovicz D7/697
- D939,098 S * 12/2021 Lombardo D24/211

* cited by examiner

Primary Examiner — Austin Murphy

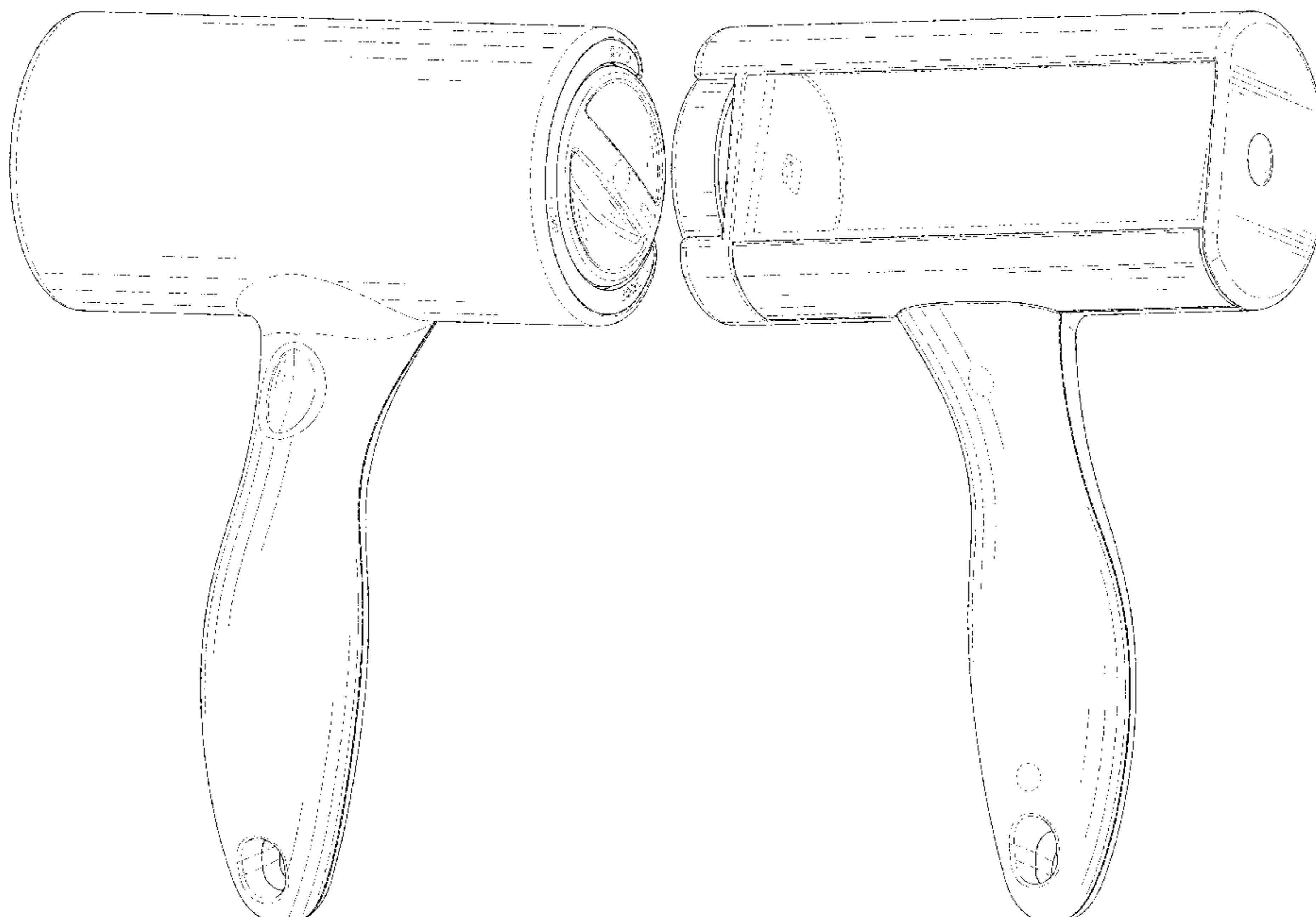
(57) **CLAIM**

The ornamental design for a hair removal brush, as shown and described.

DESCRIPTION

FIG. 1 is a perspective view of a hair removal brush showing my new design;
 FIG. 2 is another perspective view thereof;
 FIG. 3 is a front elevational view thereof;
 FIG. 4 is a rear elevational view thereof;
 FIG. 5 is a left side elevational view thereof;
 FIG. 6 is a right side elevational view thereof;
 FIG. 7 is a top plan view thereof; and,
 FIG. 8 is a bottom plan view thereof.
 The broken lines in the drawings depict portions of the hair removal brush that form no part of the claimed design.

1 Claim, 8 Drawing Sheets



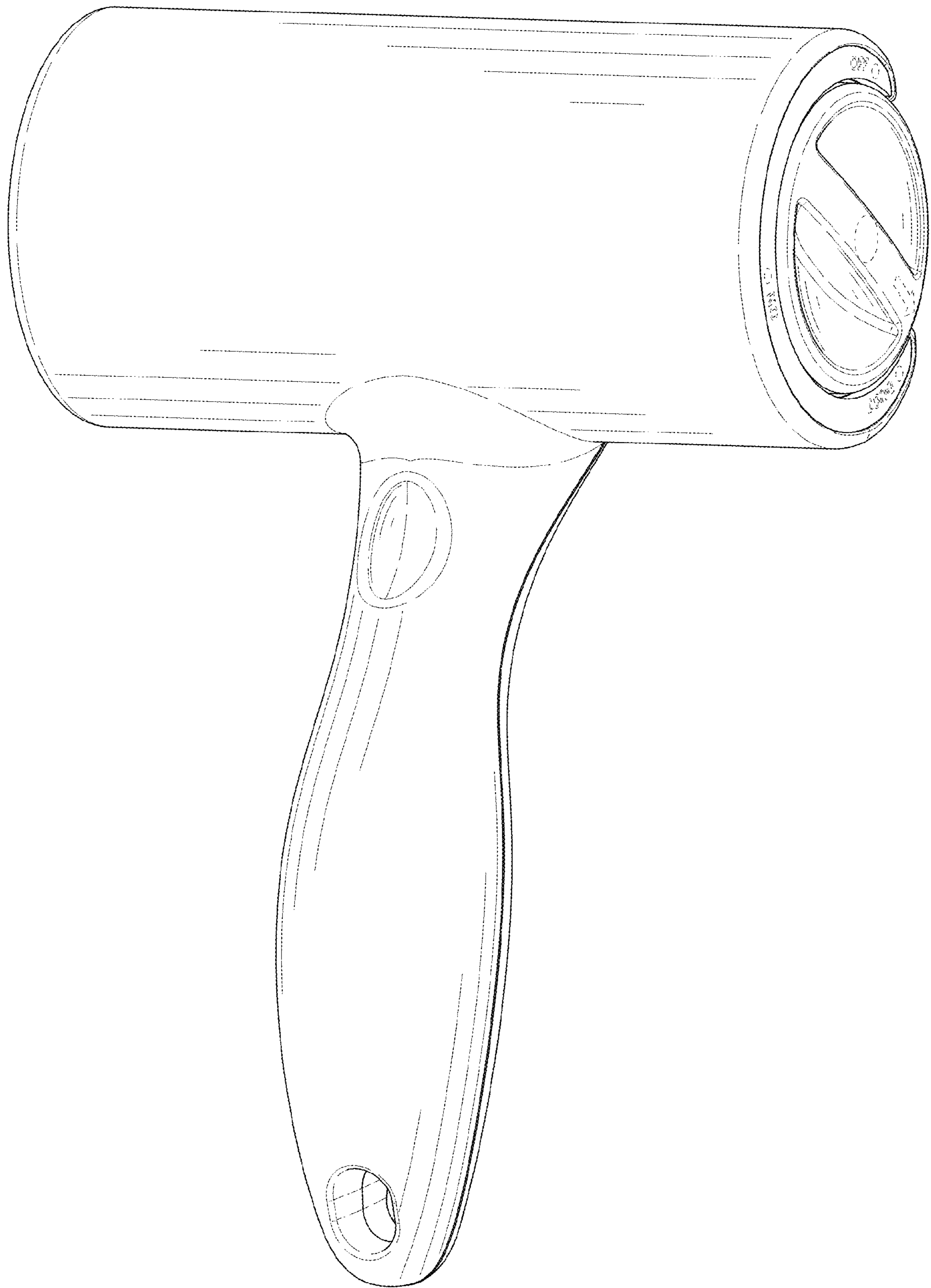


FIG. 1

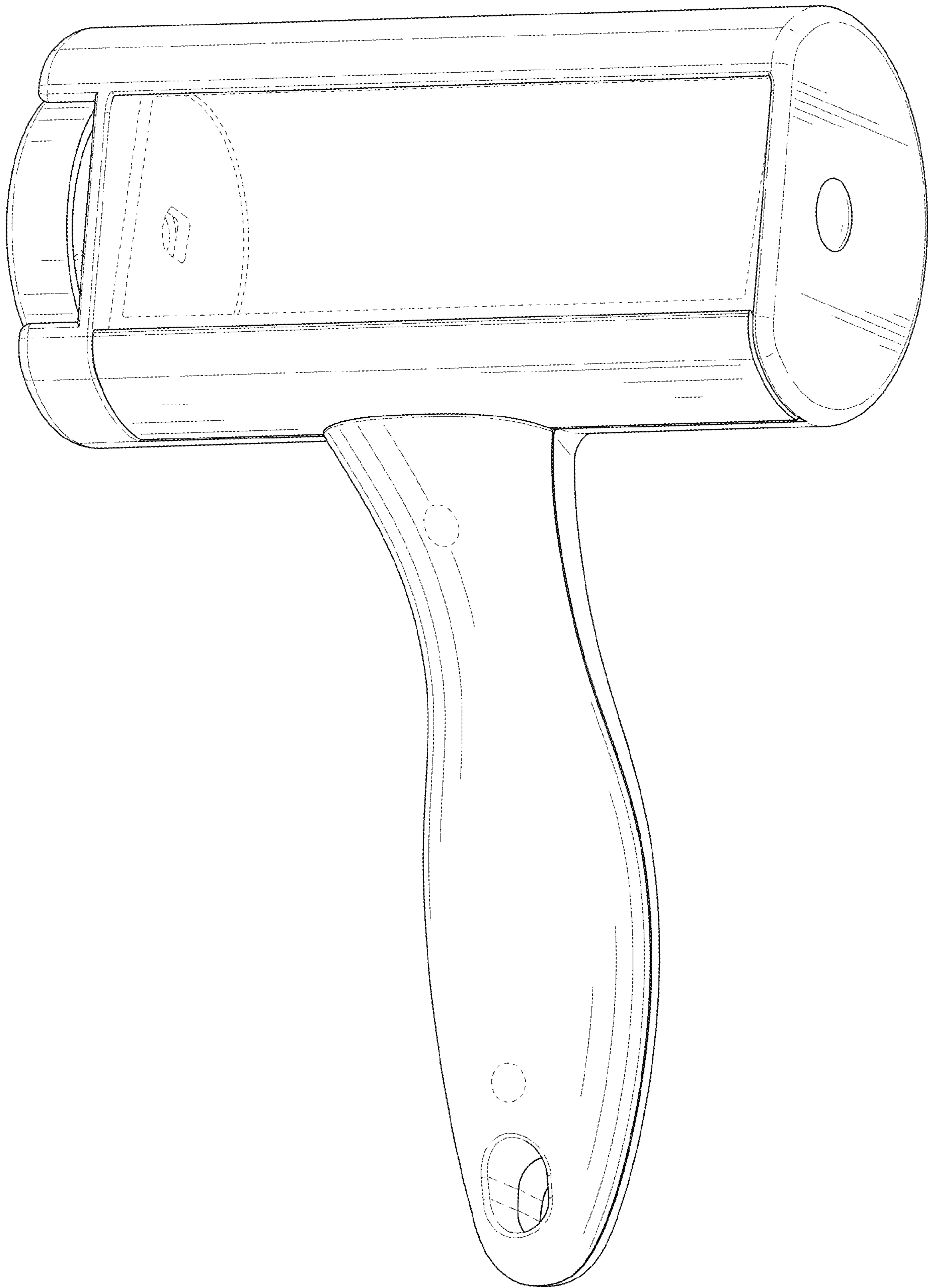


FIG. 2

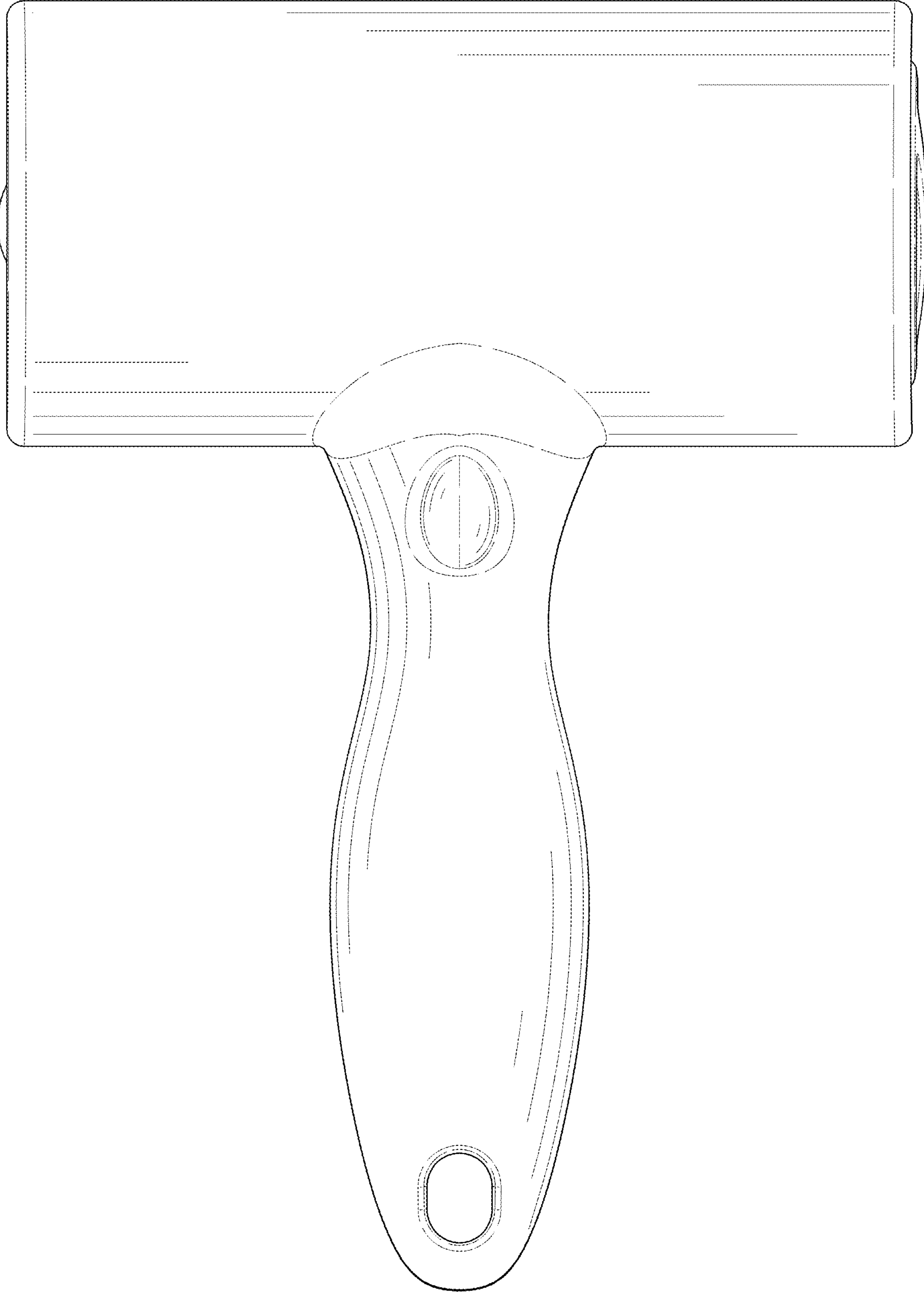


FIG. 3

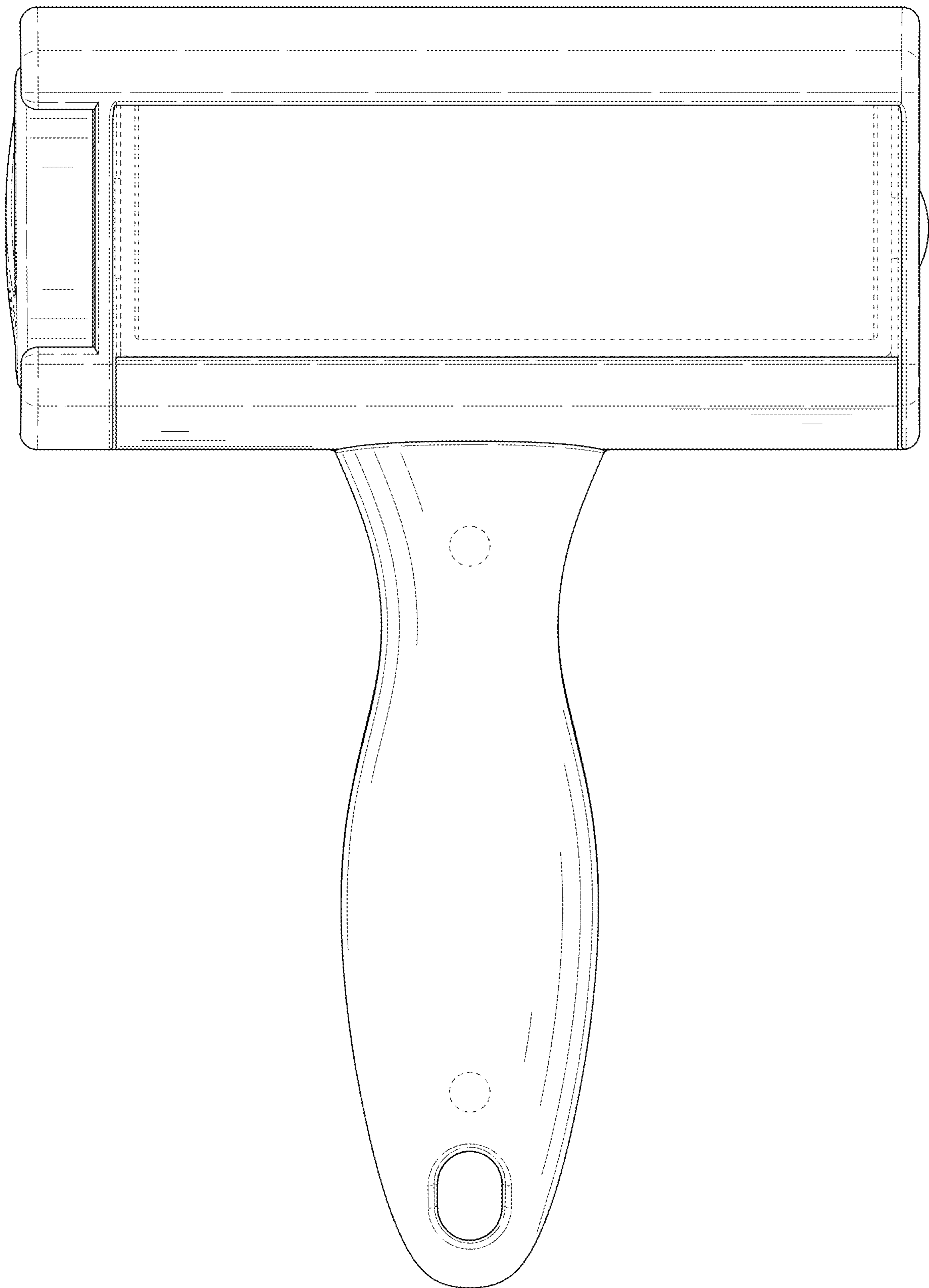


FIG. 4

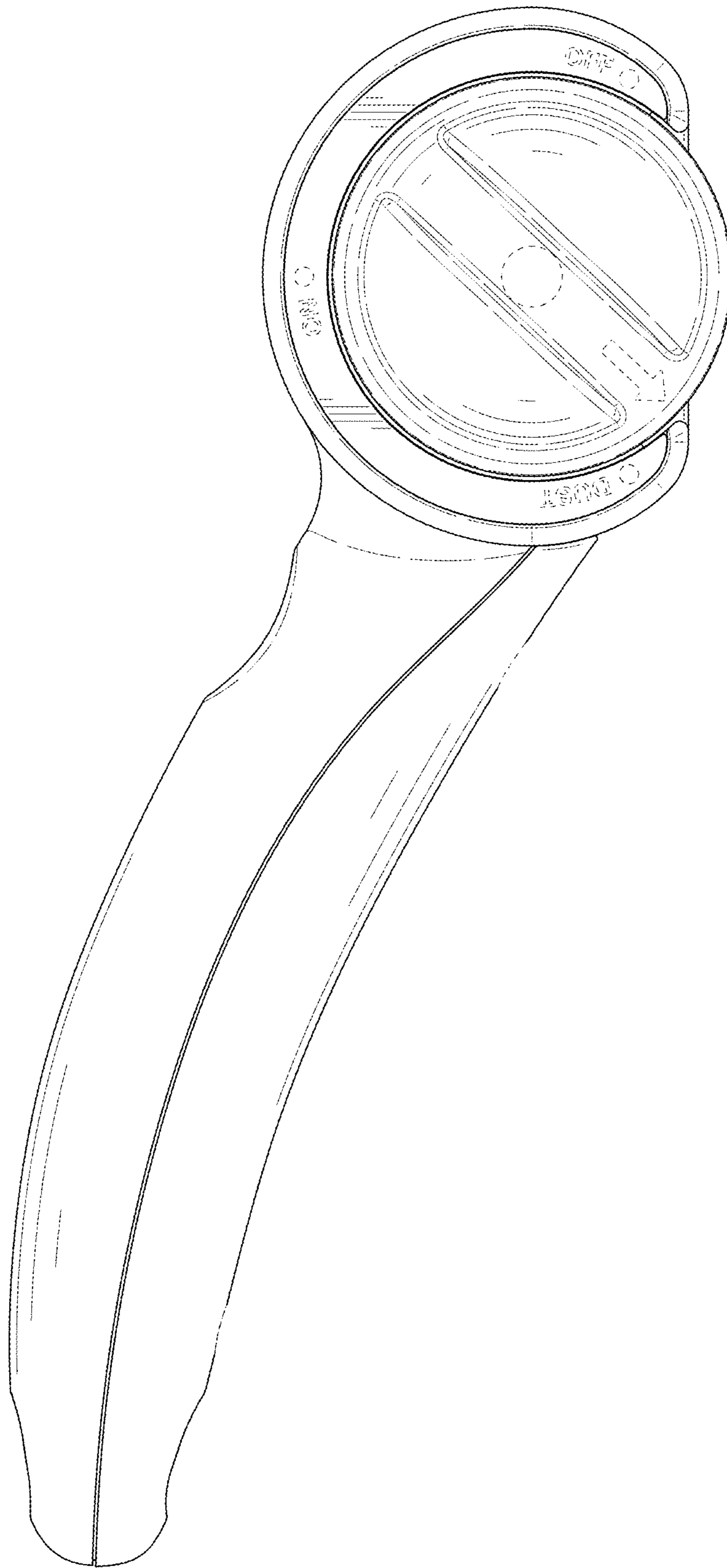


FIG. 5



FIG. 6

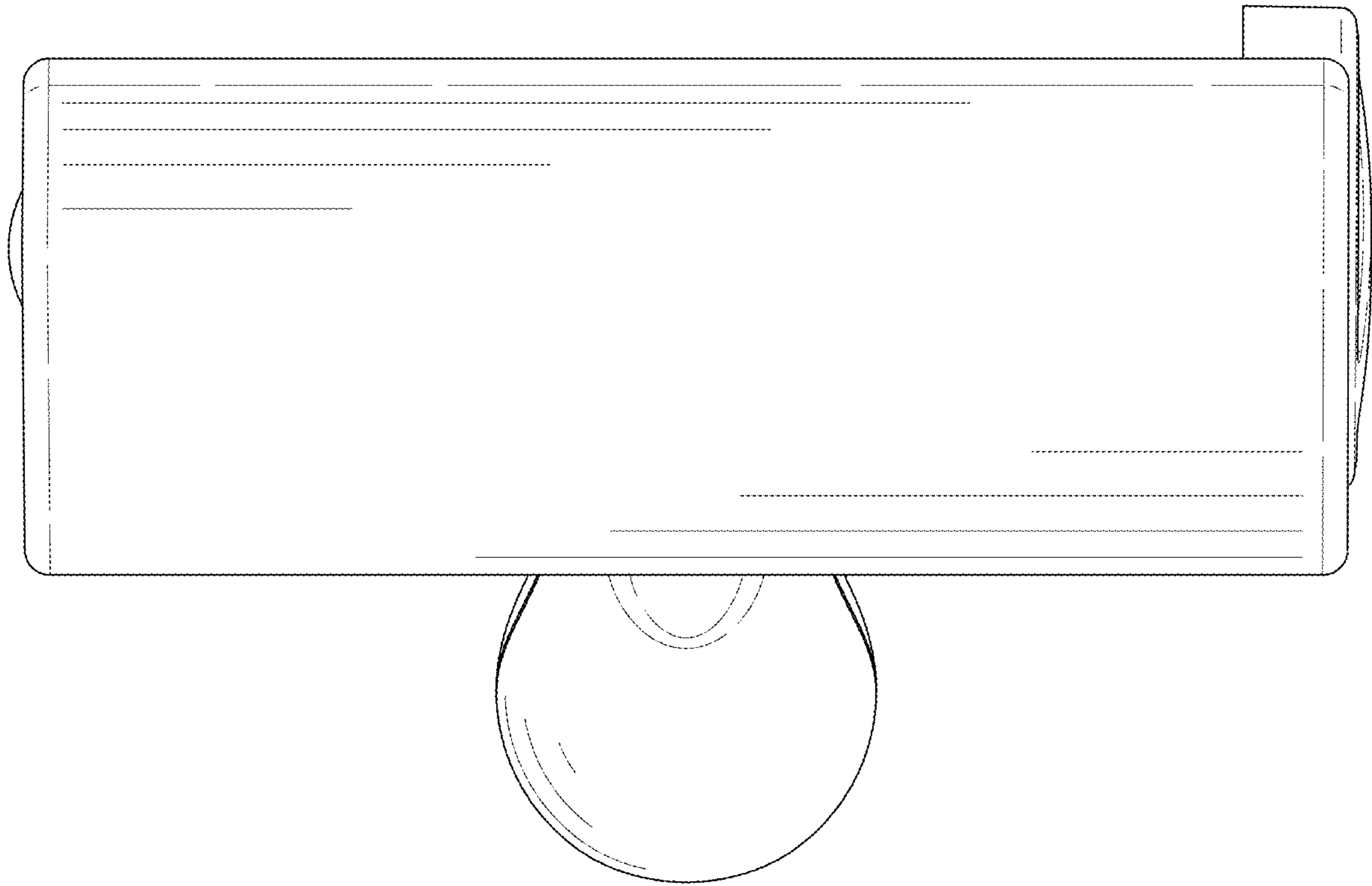


FIG. 7

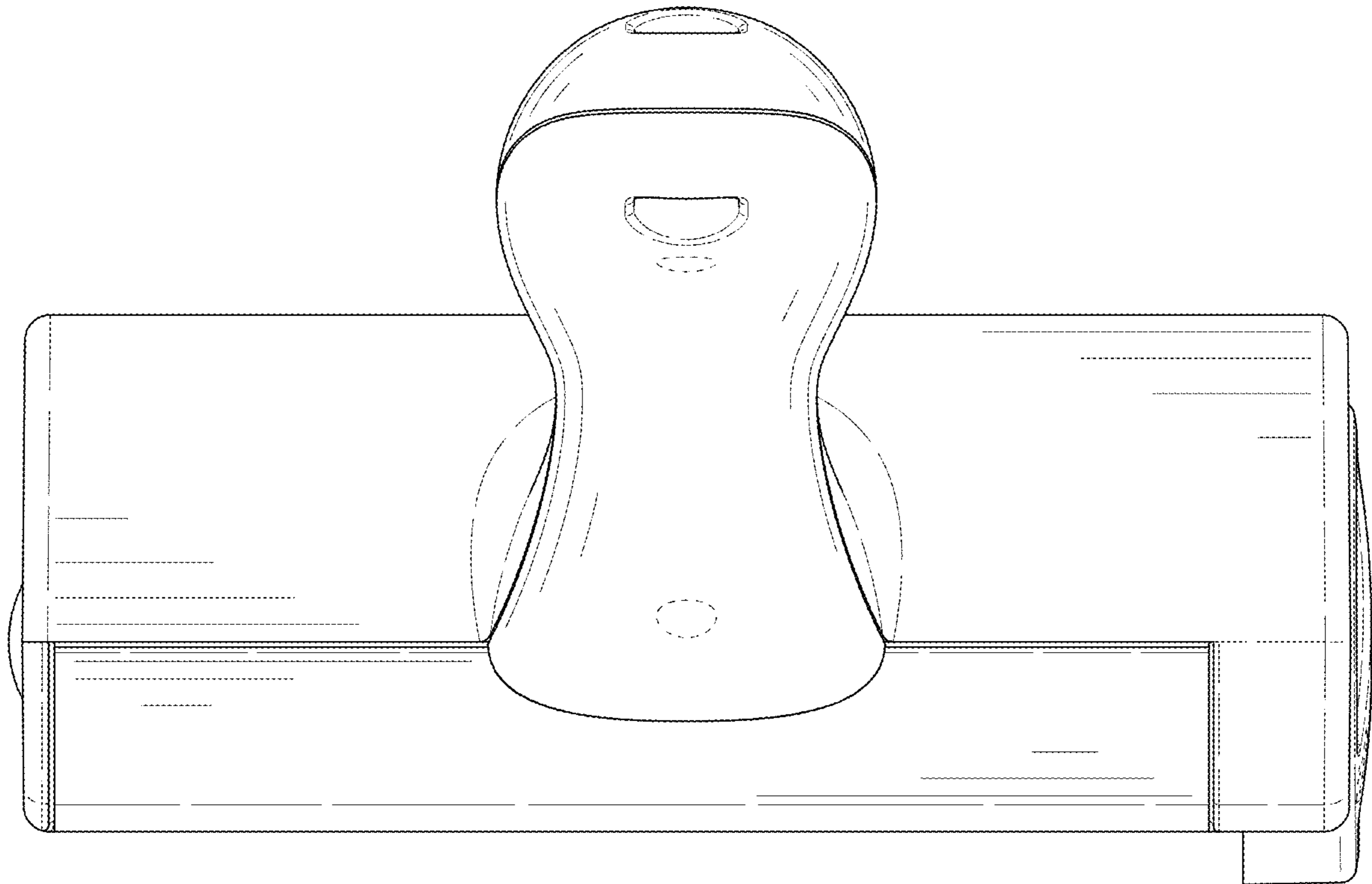


FIG. 8