



US00D964747S

(12) **United States Design Patent** (10) **Patent No.:** **US D964,747 S**
Liu (45) **Date of Patent:** **** Sep. 27, 2022**

(54) **MULTIFUNCTIONAL ELECTRIC TOOTHBRUSH**

(71) Applicant: **Yi'e Liu**, Ganzhou (CN)

(72) Inventor: **Yi'e Liu**, Ganzhou (CN)

(**) Term: **15 Years**

(21) Appl. No.: **29/827,225**

(22) Filed: **Feb. 18, 2022**

(30) **Foreign Application Priority Data**

Jan. 11, 2022 (CN) 202230013955.6

(51) **LOC (13) Cl.** **28-03**

(52) **U.S. Cl.**
USPC **D4/101; D24/152**

(58) **Field of Classification Search**
USPC D4/101, 104, 105, 106, 107, 108, 110,
D4/111, 112, 113; D24/152, 176
CPC A46B 9/04; A46B 2200/1066
See application file for complete search history.

(56) **References Cited**

U.S. PATENT DOCUMENTS

D361,433 S	*	8/1995	Yang	D4/111
D476,485 S	*	7/2003	Mulder	D4/101
D492,996 S	*	7/2004	Rehkemper	D24/111
D692,242 S	*	10/2013	Jimenez	D4/104
D717,547 S	*	11/2014	Adriaenssen	D4/101
D752,868 S	*	4/2016	McGarry	D4/138
D759,382 S	*	6/2016	Watkins	D4/101
D799,217 S	*	10/2017	Massee	D4/101
D824,108 S	*	7/2018	Tetekak	D28/53

D833,610 S	*	11/2018	Pieroni	D24/176
D861,352 S	*	10/2019	Xu	D4/101
D881,584 S	*	4/2020	Porter	D4/104
D894,610 S	*	9/2020	Albay	D4/101
D908,208 S	*	1/2021	He	D24/111
D922,775 S	*	6/2021	Albay	D4/101
D938,733 S	*	12/2021	Wu et al.	
D945,775 S	*	3/2022	Albay	D4/101
D950,955 S	*	5/2022	Gatzemeyer	D4/101
D954,939 S	*	6/2022	Liang	D24/111

FOREIGN PATENT DOCUMENTS

CN	303672440	*	5/2016
CN	304895527	*	11/2018

* cited by examiner

Primary Examiner — Karen E Eldridge Powers

(57) **CLAIM**

The ornamental design for multifunctional electric toothbrush, substantially as shown and described.

DESCRIPTION

FIG. 1 is a front, top and left side perspective view of a multifunctional electric toothbrush, showing my new design;

FIG. 2 is a front elevational view thereof;

FIG. 3 is a rear elevational view thereof;

FIG. 4 is a left side elevational view thereof;

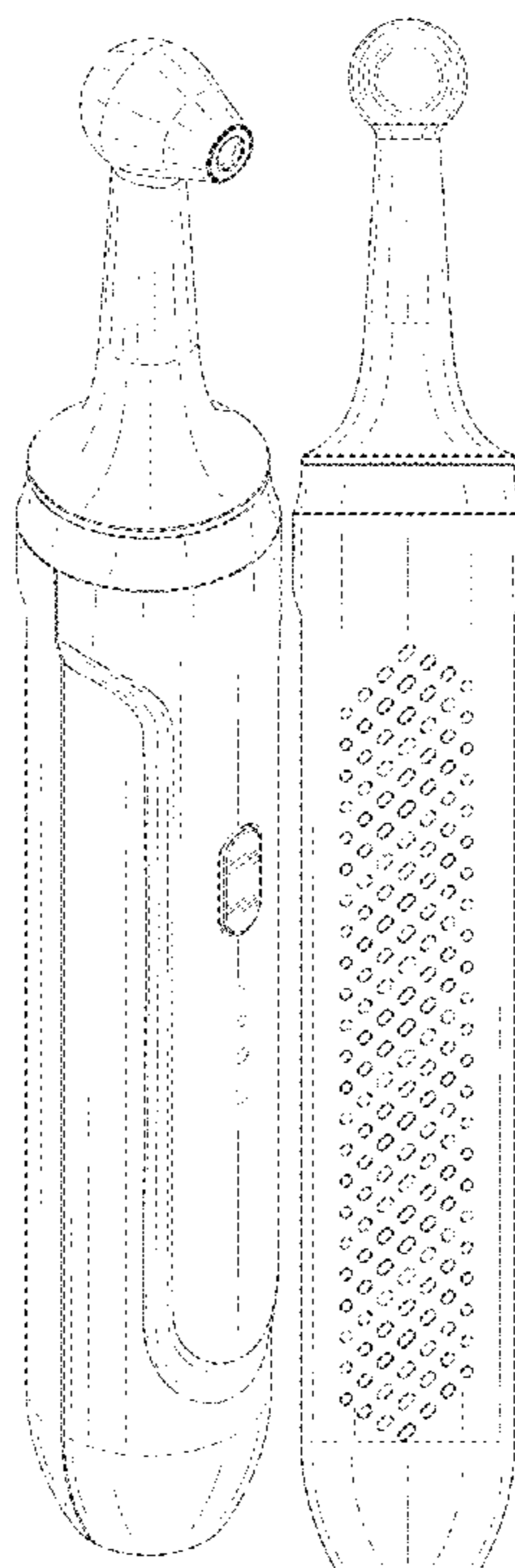
FIG. 5 is a right side elevational view thereof;

FIG. 6 is a top plan view thereof; and,

FIG. 7 is a bottom plan view thereof.

The broken lines in the drawings illustrate the portions of multifunctional electric toothbrush, which form no part of the claimed design.

1 Claim, 7 Drawing Sheets



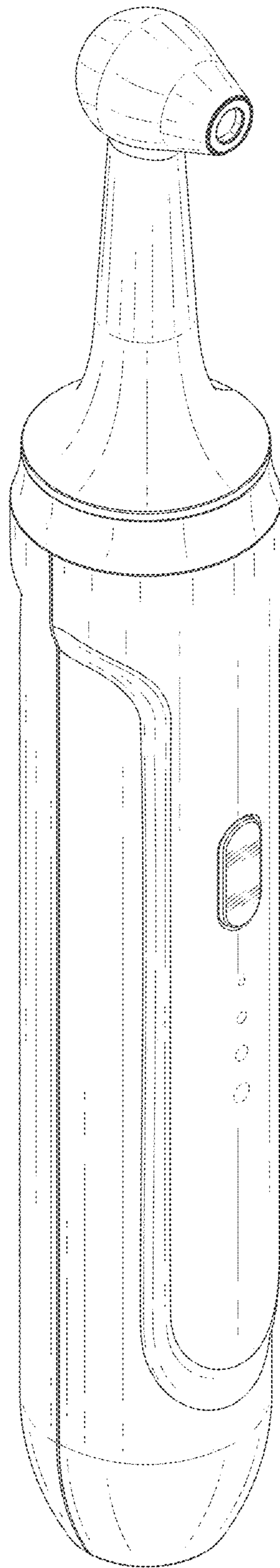


FIG. 1

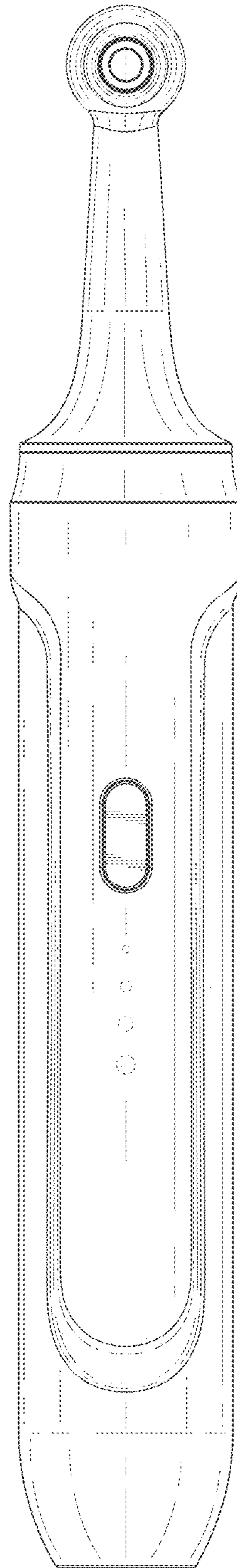


FIG. 2

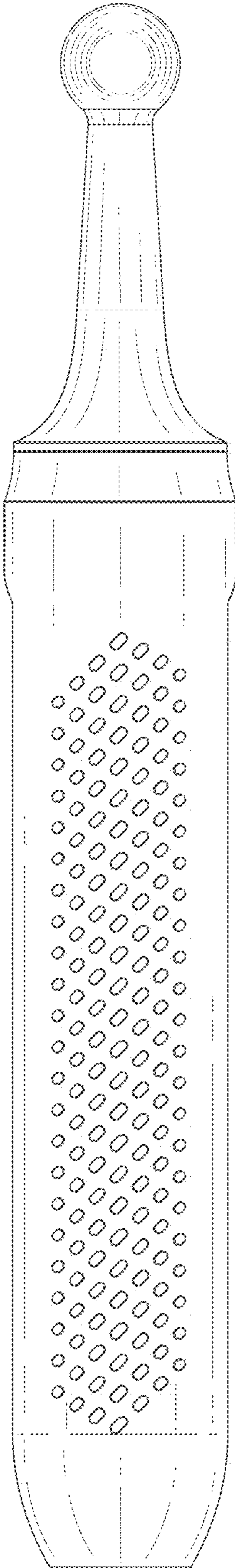


FIG. 3

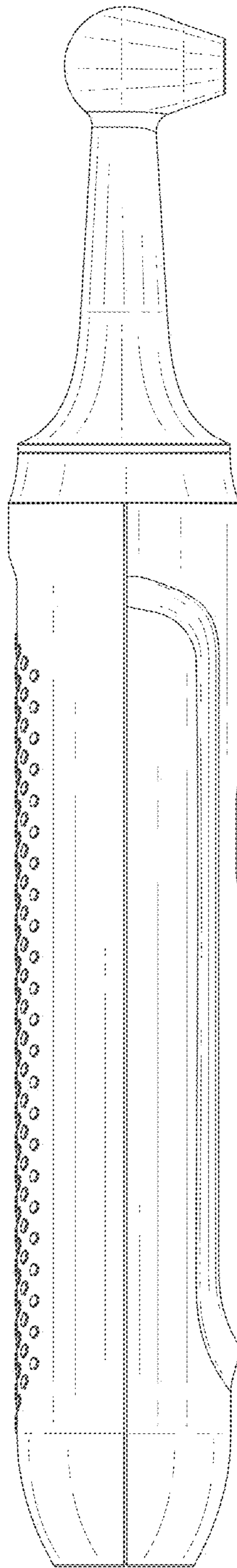


FIG. 4

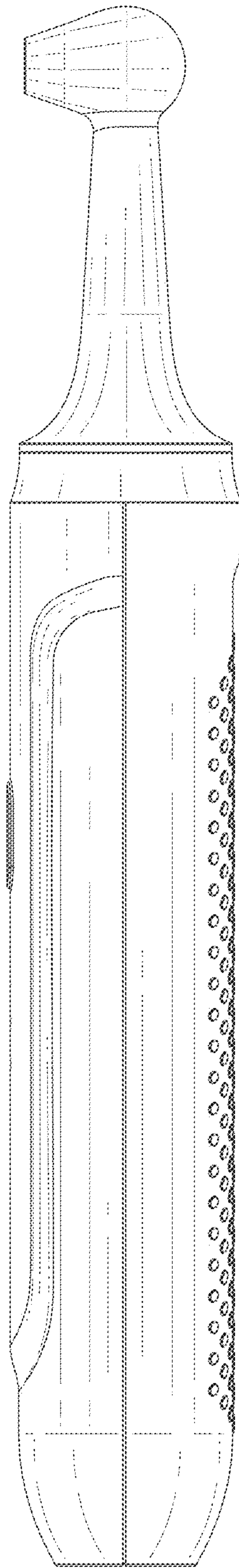


FIG. 5

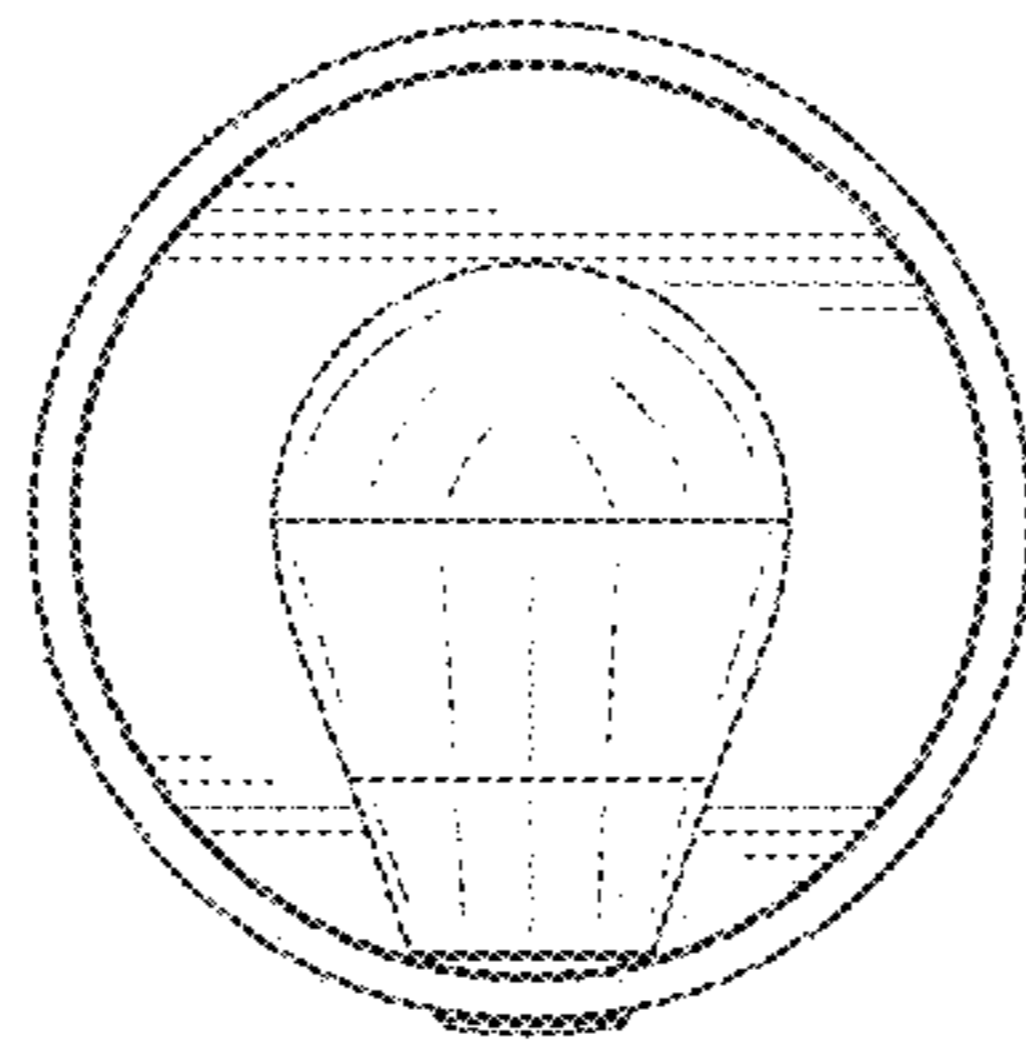


FIG. 6

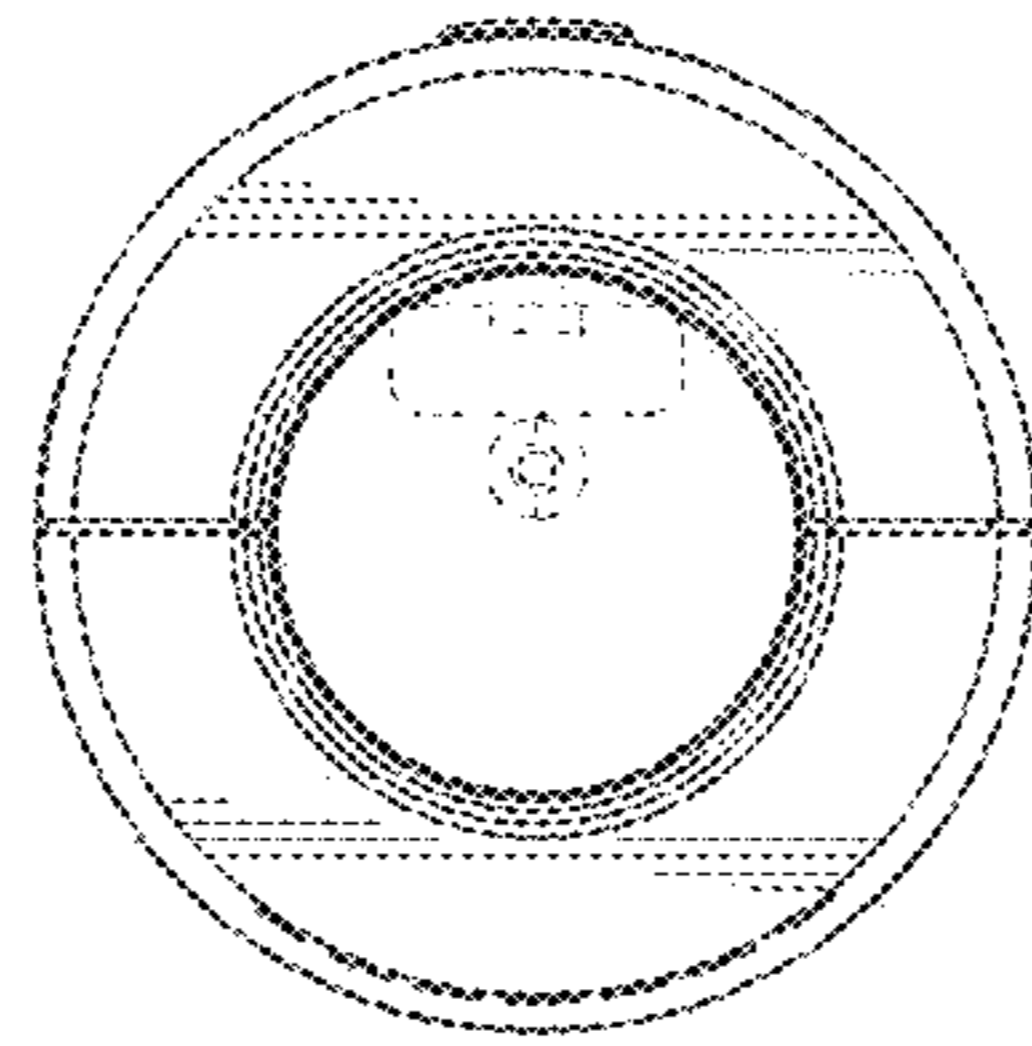


FIG. 7