



US00D964746S

(12) **United States Design Patent**  
**Gao**

(10) **Patent No.: US D964,746 S**

(45) **Date of Patent: \*\* Sep. 27, 2022**

(54) **COMBINED ELECTRIC TOOTHBRUSH SET**

(71) Applicant: **Chao Gao**, Shenzhen (CN)

(72) Inventor: **Chao Gao**, Shenzhen (CN)

(\*\*) Term: **15 Years**

(21) Appl. No.: **29/823,680**

(22) Filed: **Jan. 19, 2022**

(30) **Foreign Application Priority Data**

Dec. 30, 2021 (CN) ..... 202130877109.4

(51) **LOC (13) Cl.** ..... **28-03**

(52) **U.S. Cl.**  
USPC ..... **D4/101; D3/205; D13/108**

(58) **Field of Classification Search**  
USPC ..... D4/101, 104, 105, 106, 107, 108, 110,  
D4/111, 112, 113; D13/108; D3/205  
(Continued)

(56) **References Cited**

**U.S. PATENT DOCUMENTS**

D262,585 S \* 1/1982 Anema ..... D3/205  
D500,209 S \* 12/2004 Kellogg ..... D4/108  
(Continued)

**FOREIGN PATENT DOCUMENTS**

CN 305999624 \* 8/2020  
GB 9000282488-0002 \* 1/2005

**OTHER PUBLICATIONS**

AquaSonic ProSpin Toothbrush [on-line], [Review published Jan. 15, 2022.] [Retrieved from the Internet Jul. 27, 2022.] URL: <[https://www.amazon.com/AquaSonic-ProSpin-Whitening-Removing-Toothbrush/dp/B09HSPR19G/ref=sr\\_1\\_12?keywords=aquasonic+toothbrush&qid=1658942316&sr=8-12#customerReviews](https://www.amazon.com/AquaSonic-ProSpin-Whitening-Removing-Toothbrush/dp/B09HSPR19G/ref=sr_1_12?keywords=aquasonic+toothbrush&qid=1658942316&sr=8-12#customerReviews)> (Year: 2022).\*

(Continued)

*Primary Examiner* — Karen E Eldridge Powers

(74) *Attorney, Agent, or Firm* — Georgi Korobanov

(57) **CLAIM**

The ornamental design for a combined electric toothbrush set, as shown and described.

**DESCRIPTION**

FIG. 1 is a front, top and right side perspective view of a combined electric toothbrush set, showing my new design in a combined state;

FIG. 2 is a front, top and right side perspective view of the combined electric toothbrush set wherein the components are shown separated from one another, and the case is opened;

FIG. 3 is a front, top and right side perspective view of the toothbrush component thereof;

FIG. 4 is a front elevational view thereof;

FIG. 5 is a rear elevational view thereof;

FIG. 6 is a left side elevational view thereof;

FIG. 7 is a right side elevational view thereof;

FIG. 8 is a top plan view thereof;

FIG. 9 is a bottom plan view thereof;

FIG. 10 is a front, top and right side perspective view of the toothbrush case component thereof;

FIG. 11 is a front elevational view thereof;

FIG. 12 is a rear elevational view thereof;

FIG. 13 is a left side elevational view thereof;

FIG. 14 is a right side elevational view thereof;

FIG. 15 is a top plan view thereof;

FIG. 16 is a bottom plan view thereof;

FIG. 17 is an enlarged front, top and right side perspective view of the toothbrush head component thereof;

FIG. 18 is an enlarged front elevational view thereof;

FIG. 19 is an enlarged rear elevational view thereof;

FIG. 20 is an enlarged left side elevational view thereof;

FIG. 21 is an enlarged right side elevational view thereof;

FIG. 22 is an enlarged top plan view thereof;

FIG. 23 is an enlarged bottom plan view thereof;

FIG. 24 is a front, top and right side perspective view of the toothbrush charger component thereof;

FIG. 25 is a front elevational view thereof;

FIG. 26 is a rear elevational view thereof;

(Continued)

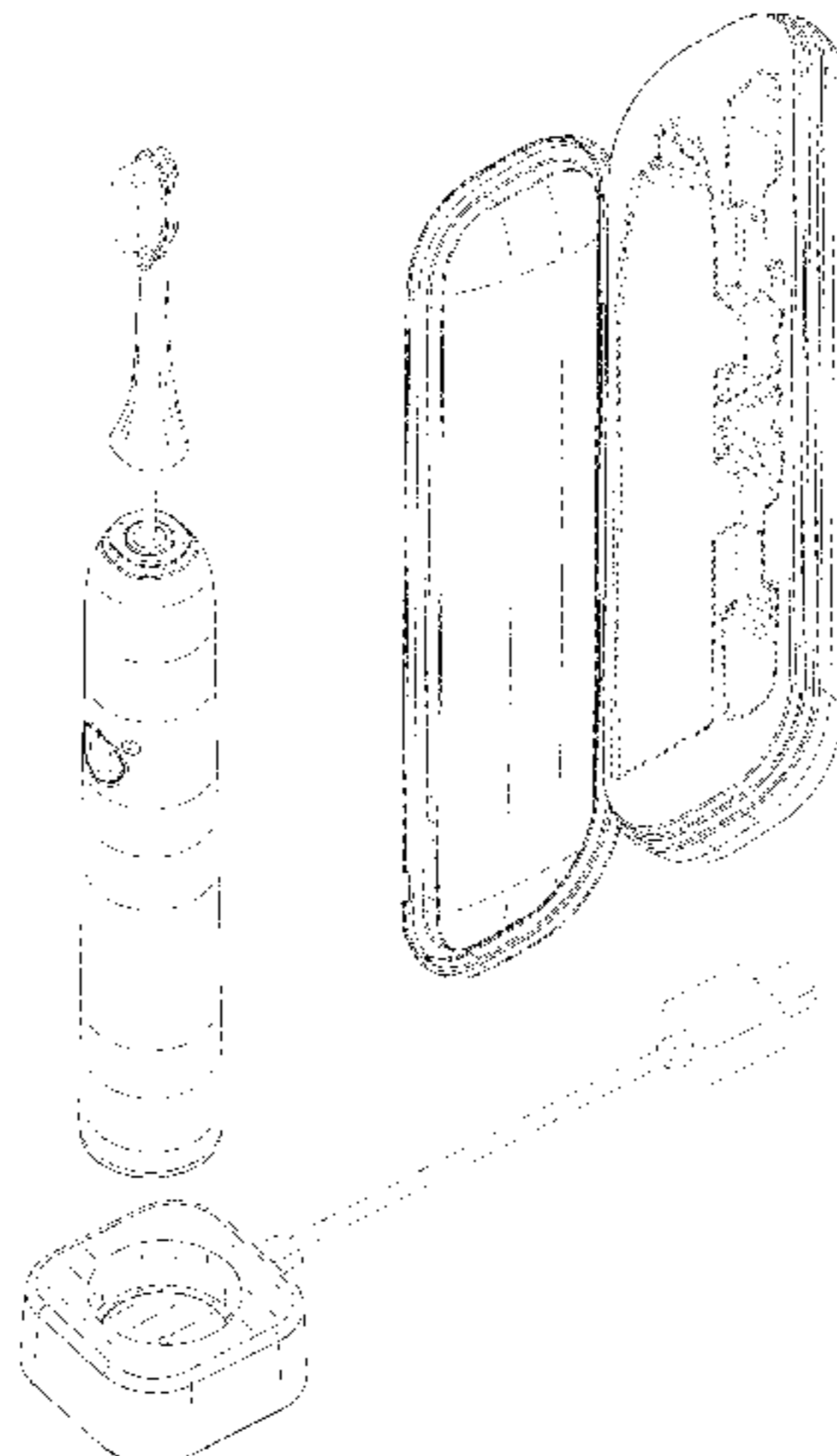


FIG. 27 is a left side elevational view thereof;  
 FIG. 28 is a right side elevational view thereof;  
 FIG. 29 is a top plan view thereof; and,  
 FIG. 30 is a bottom plan view thereof.  
 The components of the combined electric toothbrush set  
 illustrated in FIGS. 3-30 are shown separately for clarity of  
 illustration.  
 The features of the combined electric toothbrush set shown  
 in broken lines form no part of the claimed design.

**1 Claim, 30 Drawing Sheets**

(58) **Field of Classification Search**  
 CPC ..... A46B 9/04; A46B 2200/1066  
 See application file for complete search history.

(56) **References Cited**

U.S. PATENT DOCUMENTS

D580,855 S	*	11/2008	Haspil .....	D13/108
D599,555 S	*	9/2009	Oliphant .....	D4/111
D611,408 S	*	3/2010	Ferber .....	D13/108
D625,913 S	*	10/2010	Phillips .....	D3/205
D658,382 S	*	5/2012	Heil .....	D4/138

D696,023 S	*	12/2013	Gebiski .....	D4/101
D704,634 S	*	5/2014	Eidelman .....	D13/108
D745,775 S	*	12/2015	Provost .....	D3/205
D759,382 S	*	6/2016	Watkins .....	D4/101
D788,926 S	*	6/2017	Parlante .....	D24/176
D829,168 S	*	9/2018	Massee .....	D4/105
D853,730 S	*	7/2019	Zhou .....	D4/101
D864,575 S		10/2019	Meng .....	
D866,164 S	*	11/2019	Chen .....	D3/205
D869,855 S	*	12/2019	Khayat .....	D4/101
D895,296 S		9/2020	Hu et al.	
D909,746 S	*	2/2021	Albay .....	D3/205
D937,583 S		12/2021	Lin .....	
D938,733 S		12/2021	Wu et al.	
D946,263 S	*	3/2022	Albay .....	D3/205
D946,900 S	*	3/2022	Yang .....	D4/101
D949,550 S	*	4/2022	Ramm .....	D3/205
D950,247 S	*	5/2022	Johnson .....	D4/101
D957,328 S	*	7/2022	Lin .....	D3/294
D958,071 S	*	7/2022	Yang .....	D13/108

OTHER PUBLICATIONS

AquaSonic Vibe Charcoal Ultra Sonic Whitening Electric Toothbrush [on-line], [Original publication date unknown.] [Retrieved from the Internet Jul. 27, 2022.] URL: <<https://www.ebay.com/p/22035433967?iid=312882226543>> (Year: 2022).\*

\* cited by examiner

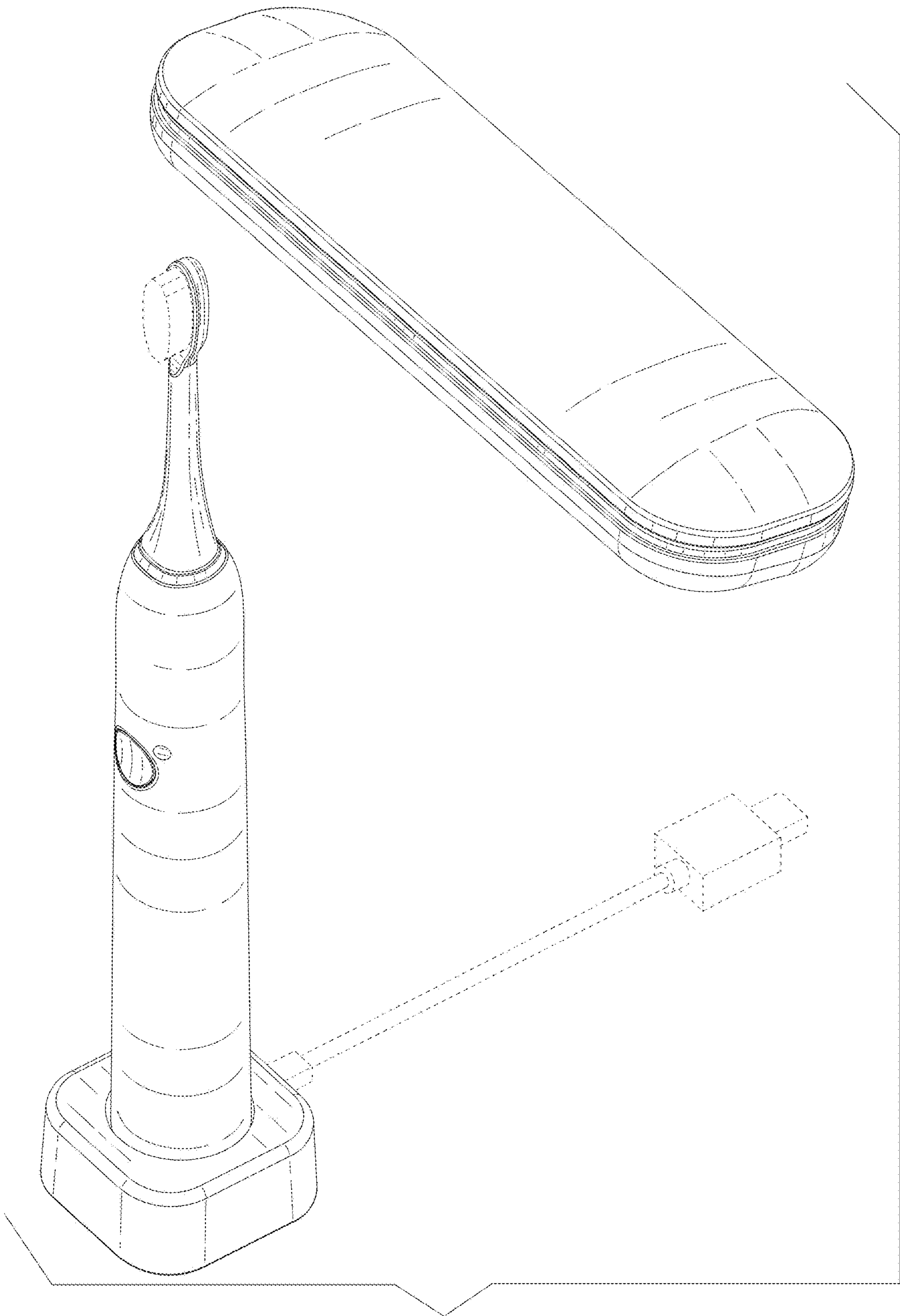


FIG. 1

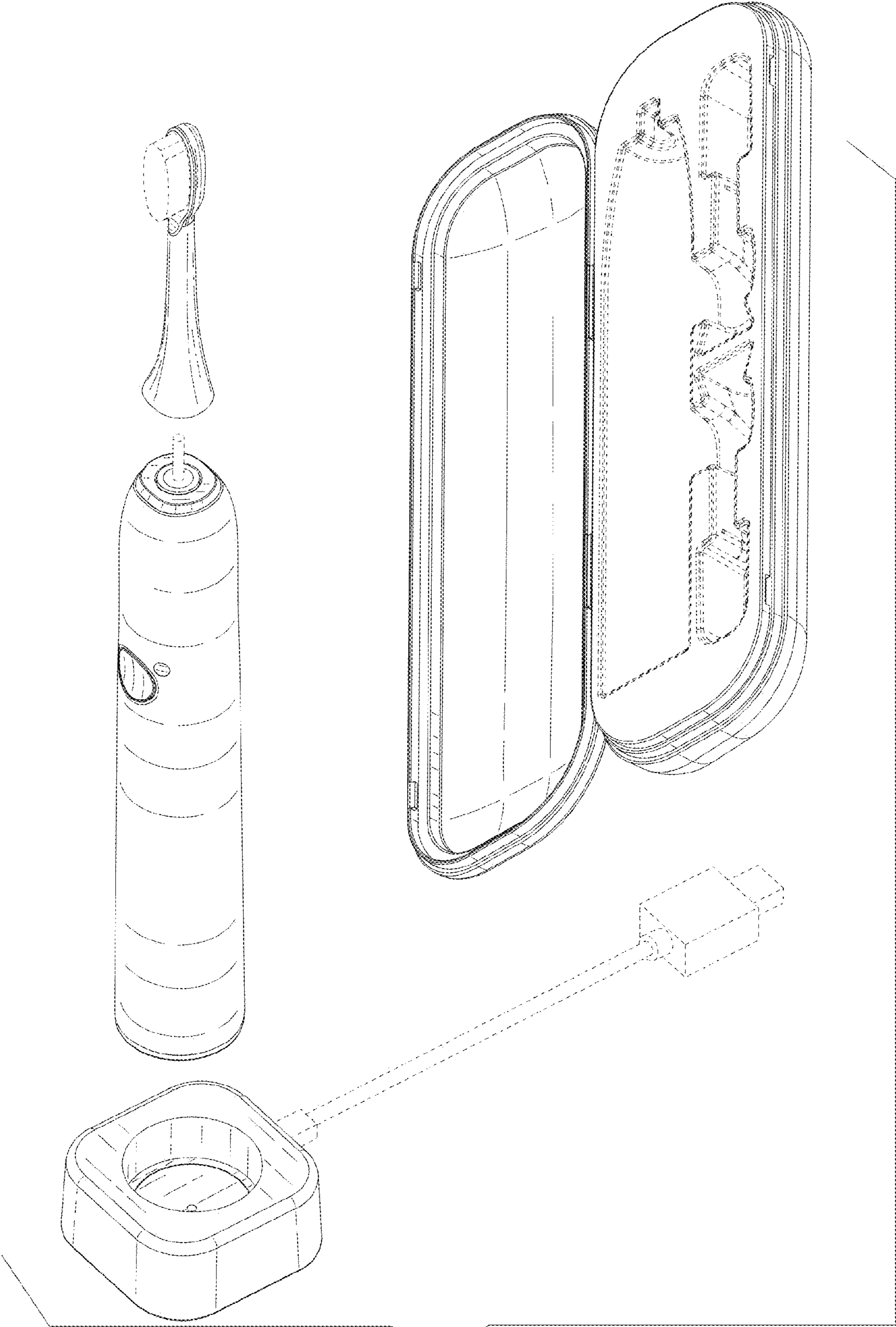


FIG. 2

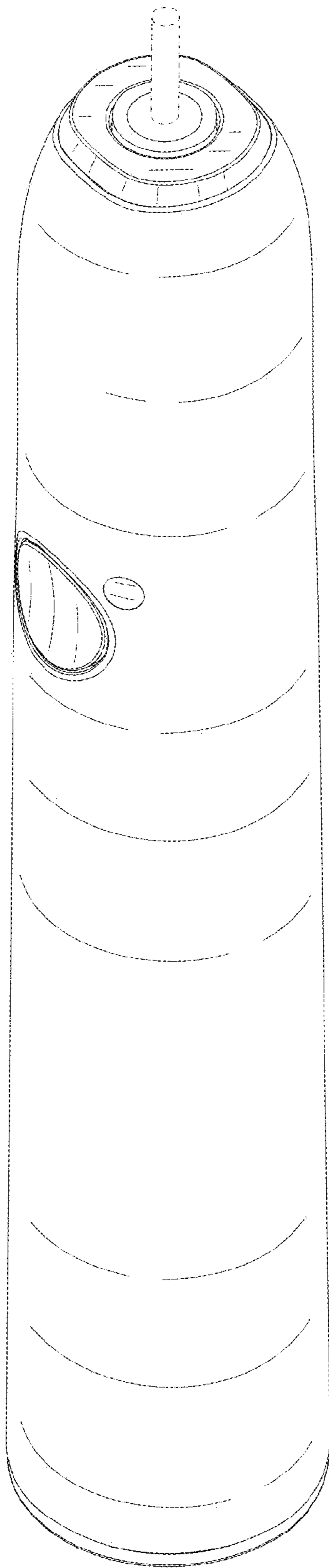


FIG. 3

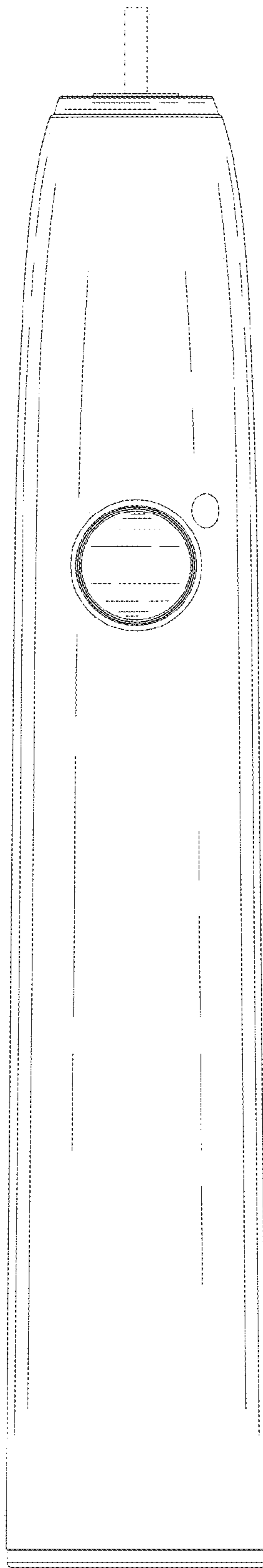


FIG. 4

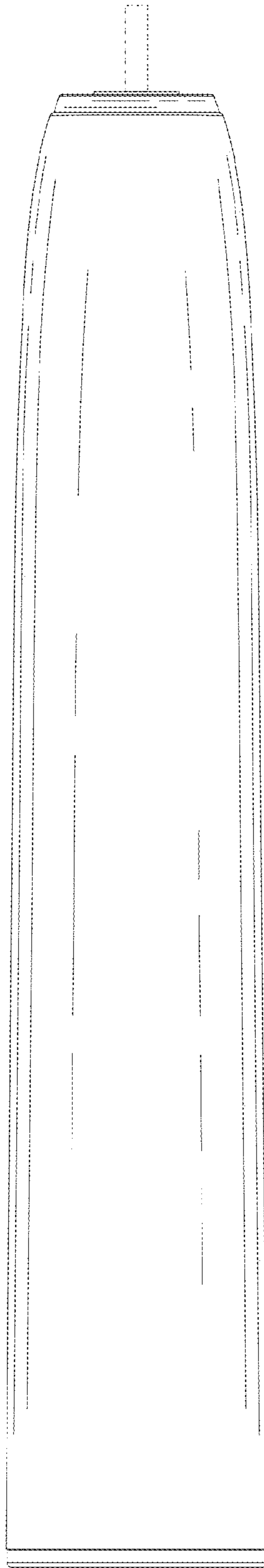


FIG. 5

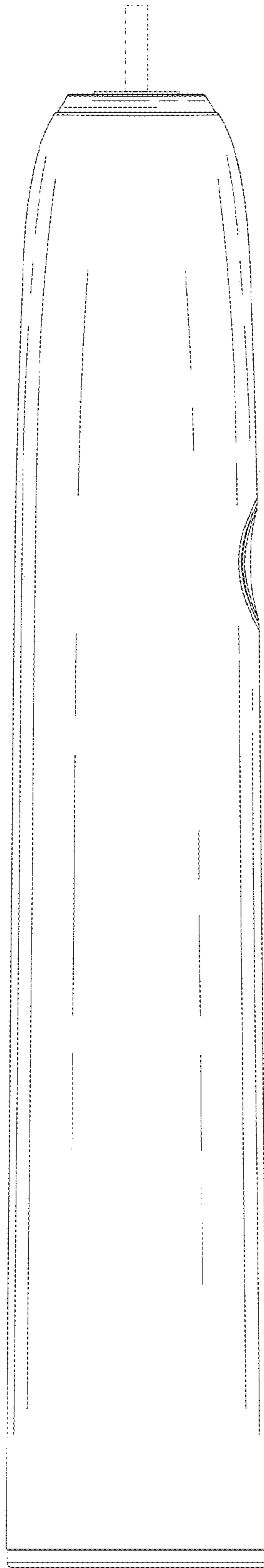


FIG. 6



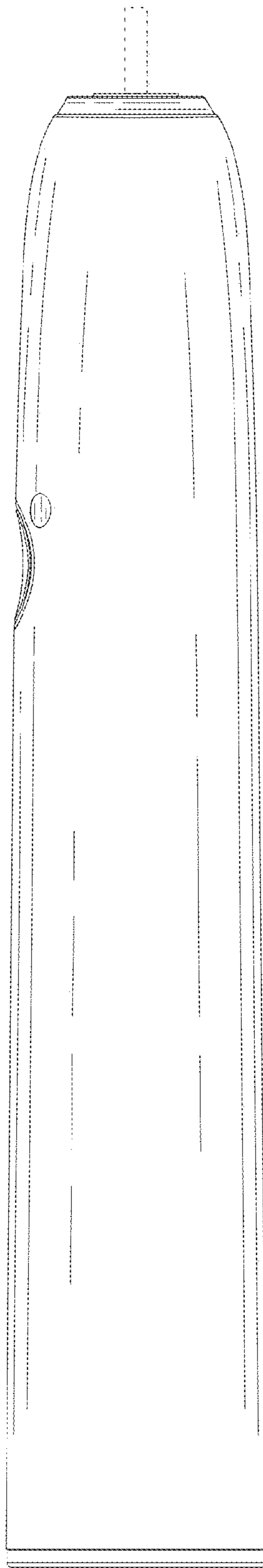


FIG. 7

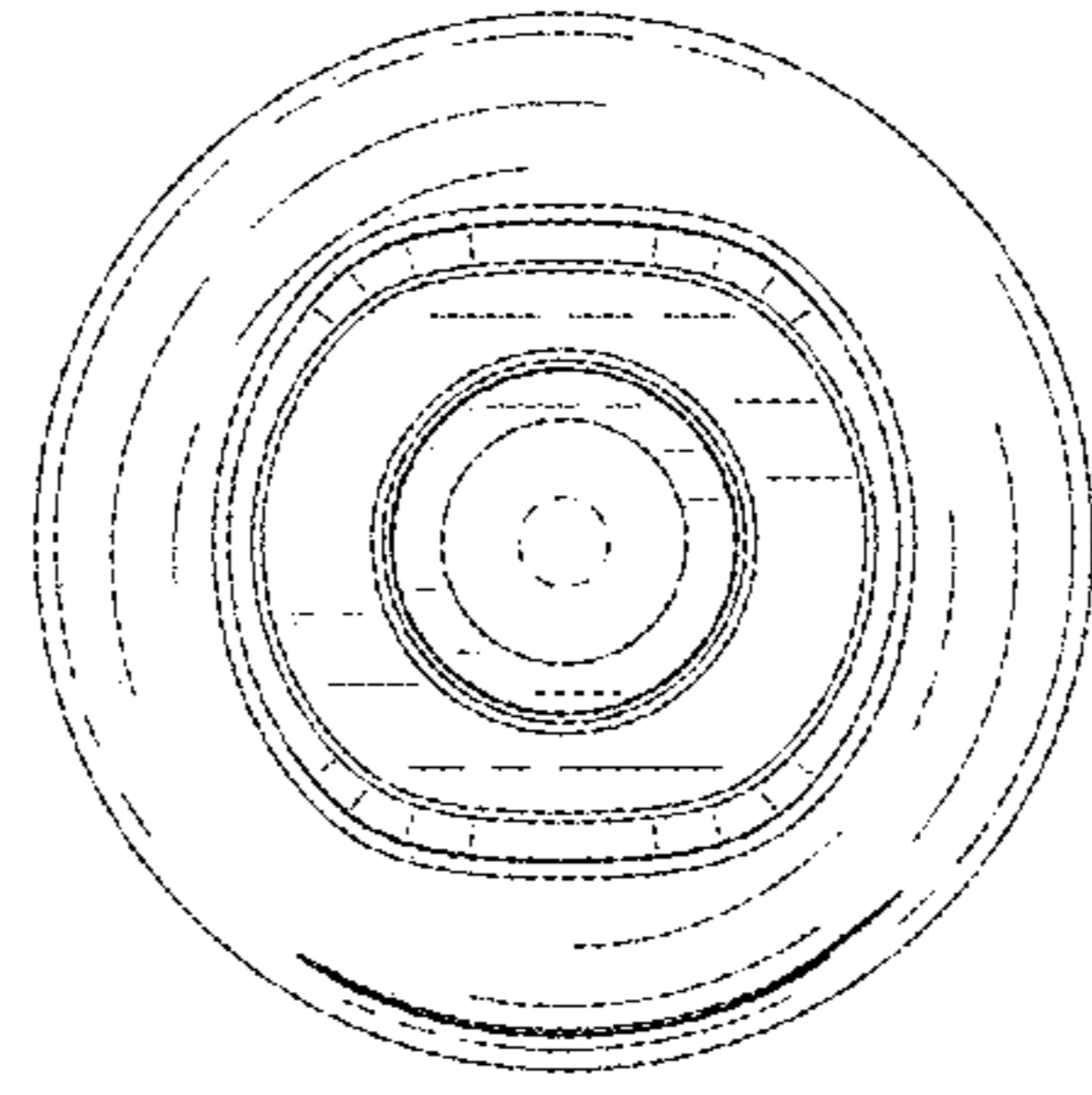


FIG. 8

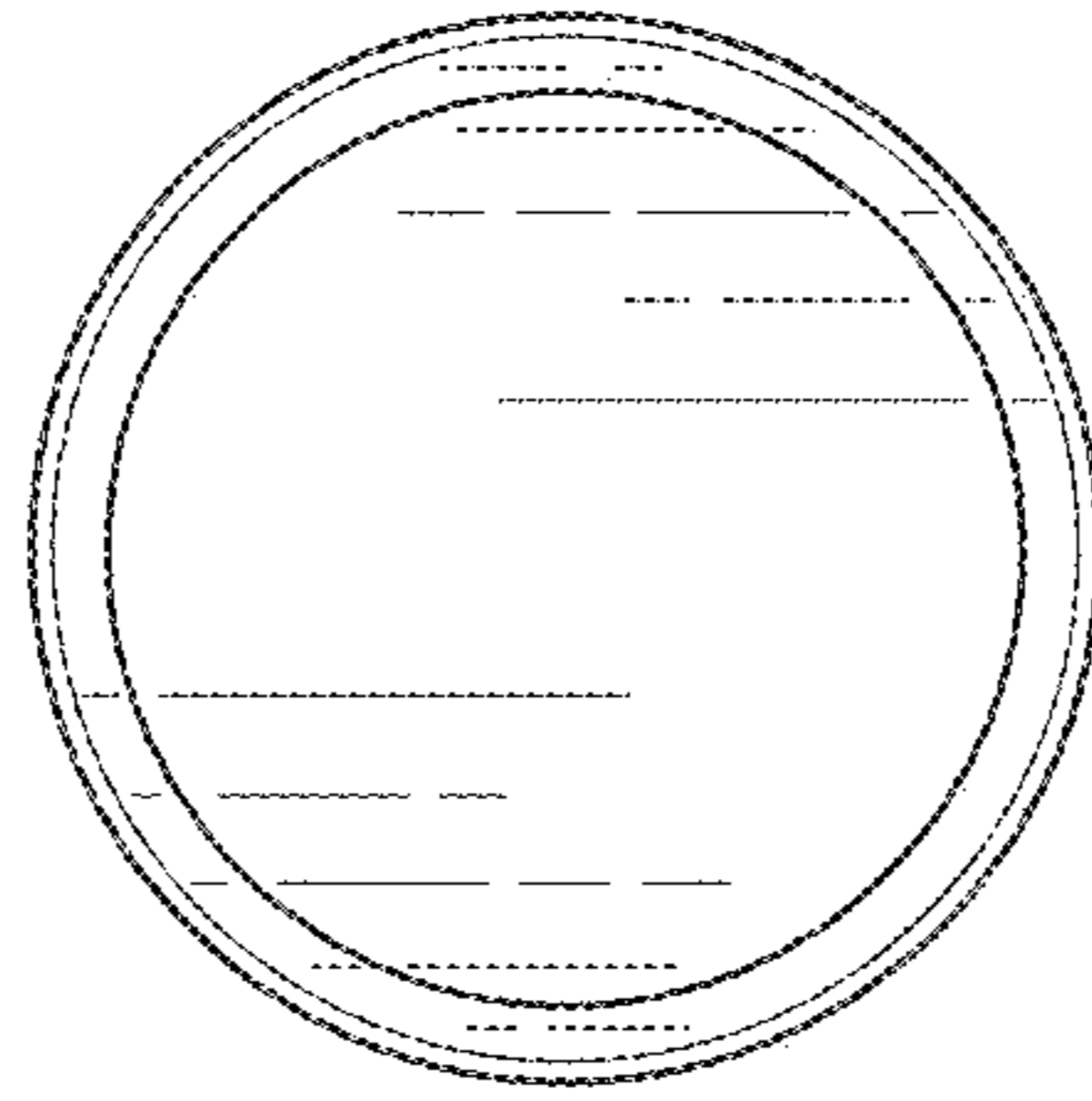


FIG. 9

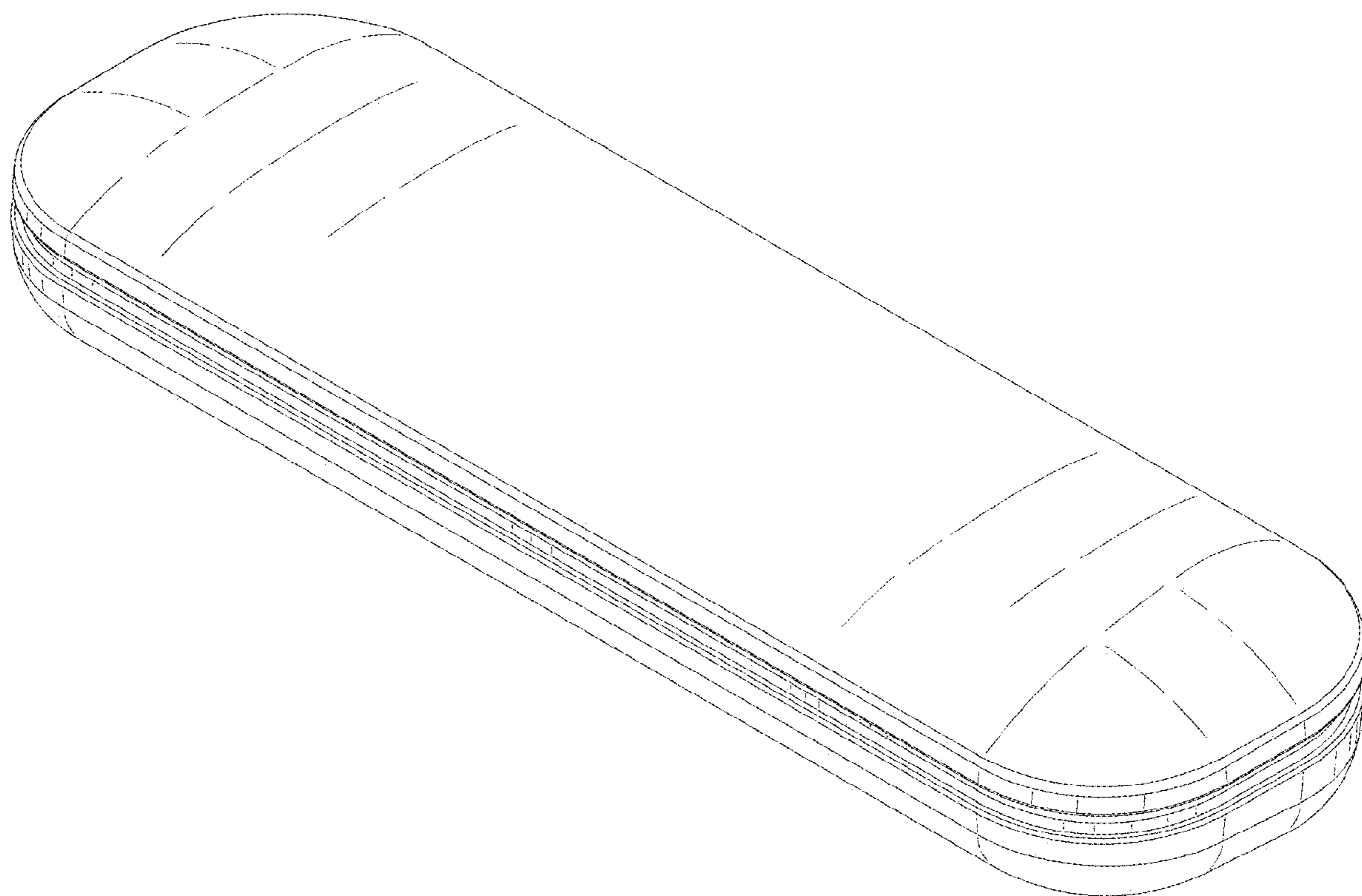


FIG. 10

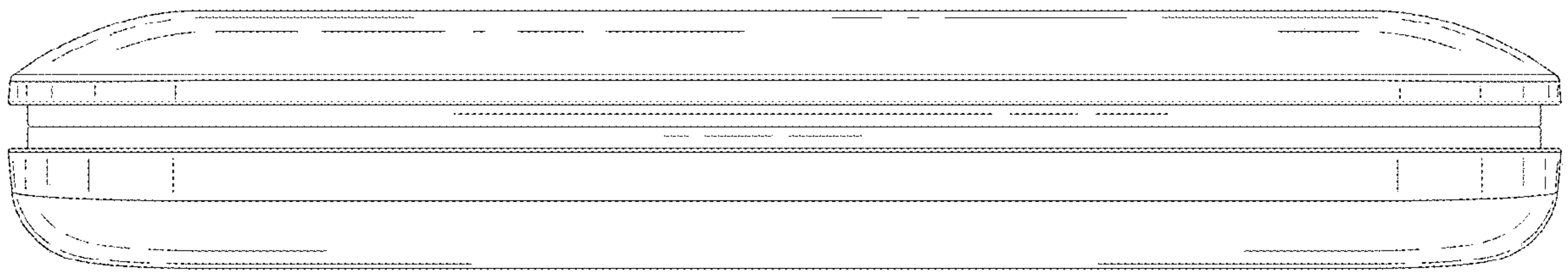


FIG. 11

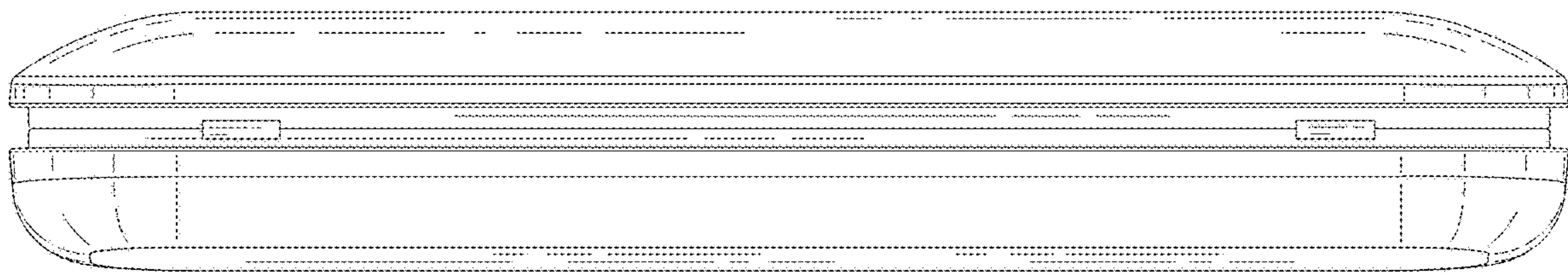


FIG. 12

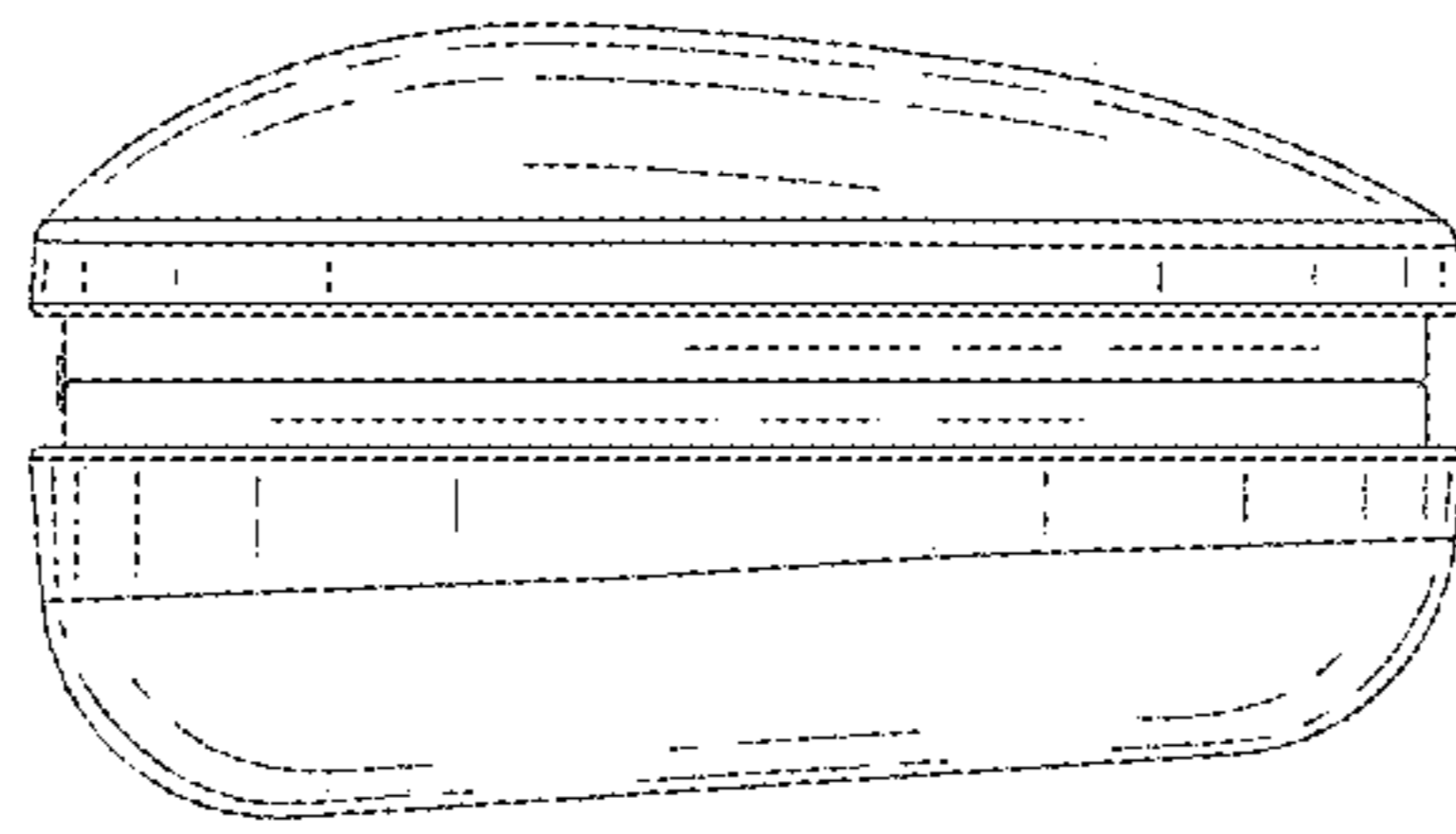


FIG. 13

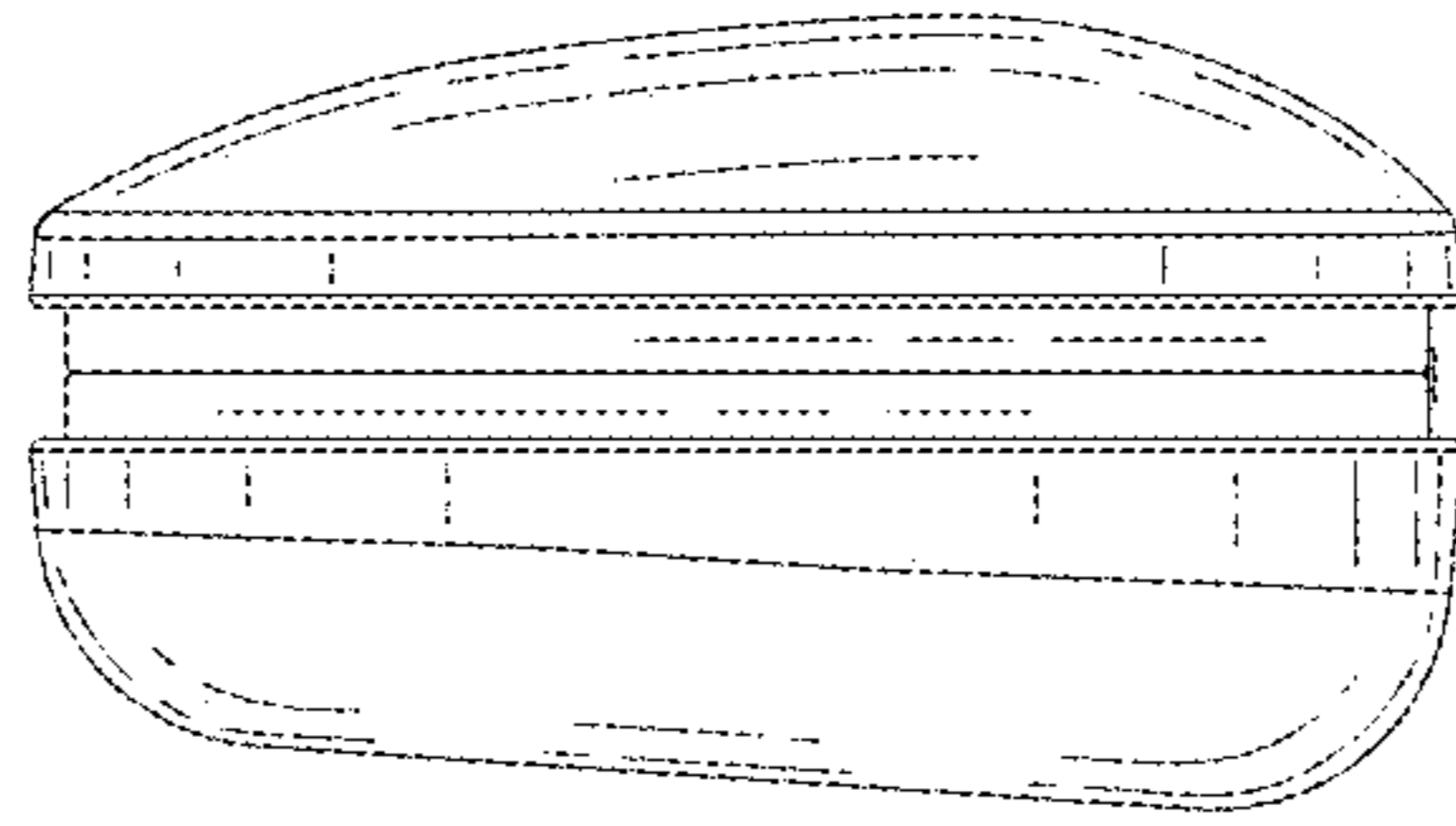


FIG. 14



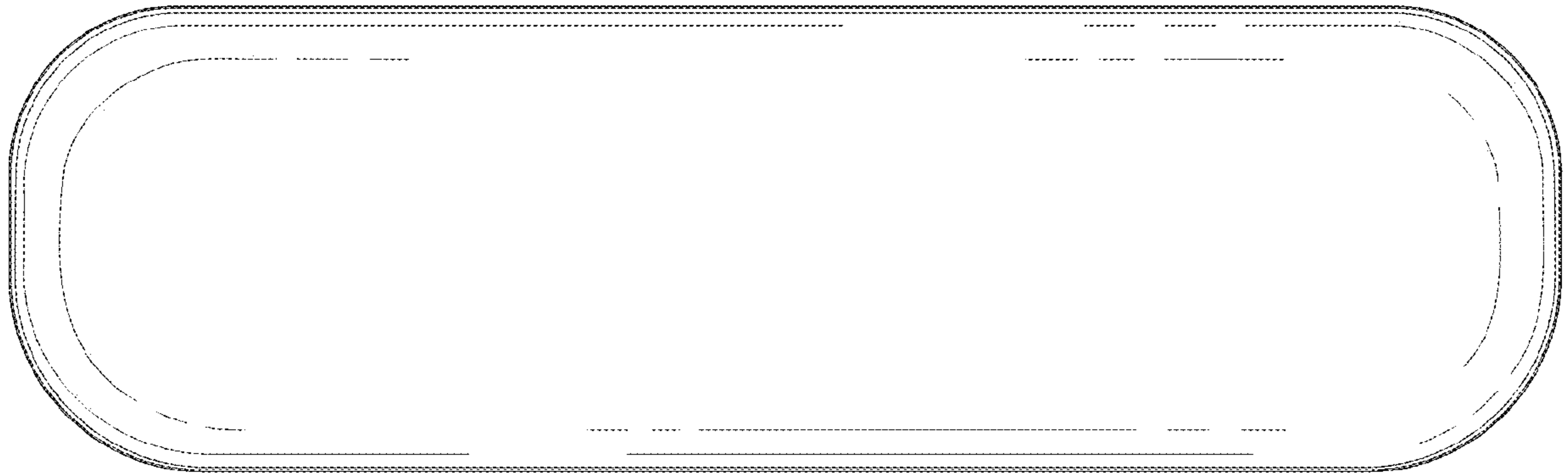


FIG. 15

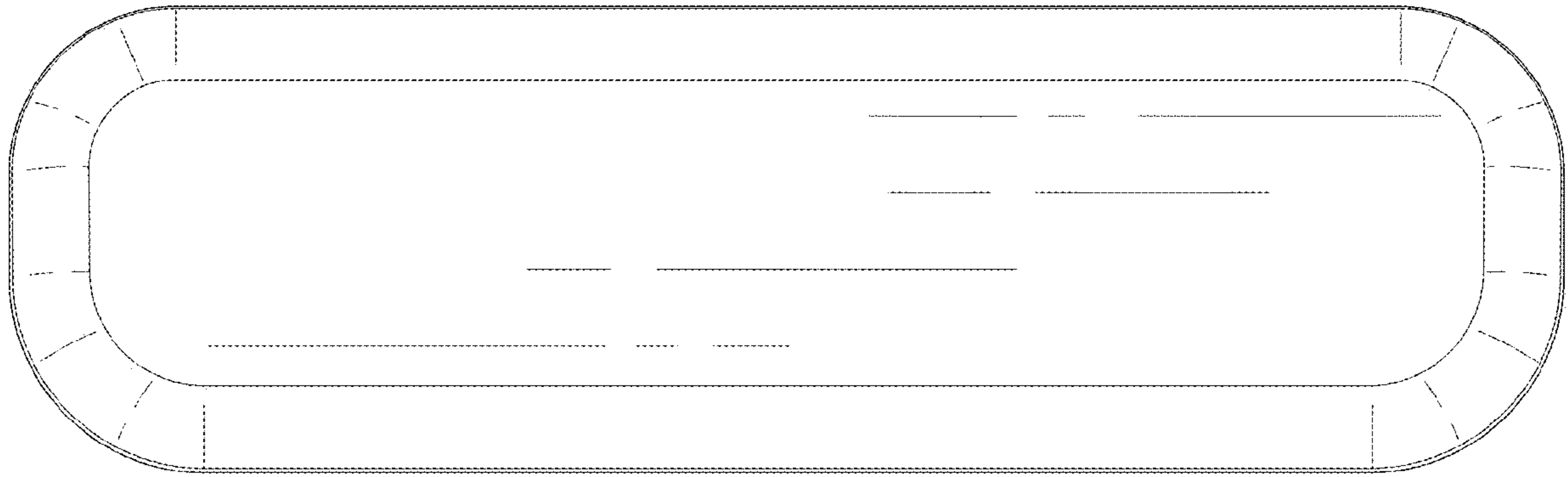


FIG. 16

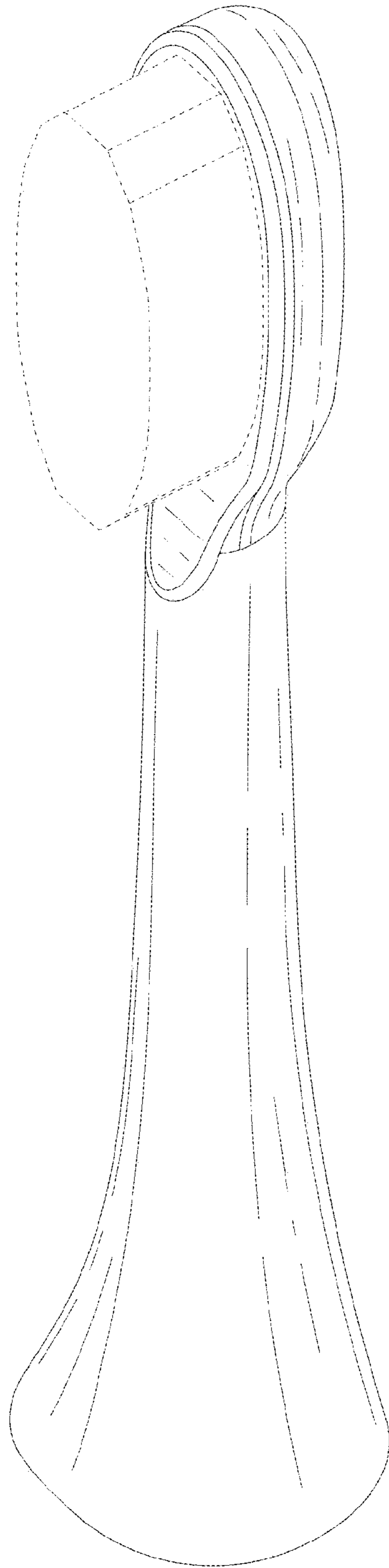


FIG. 17

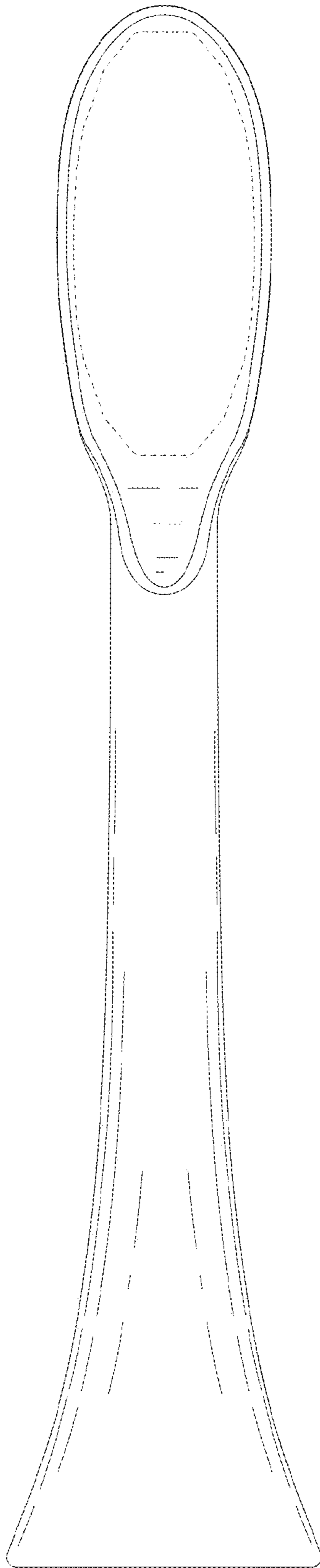


FIG. 18

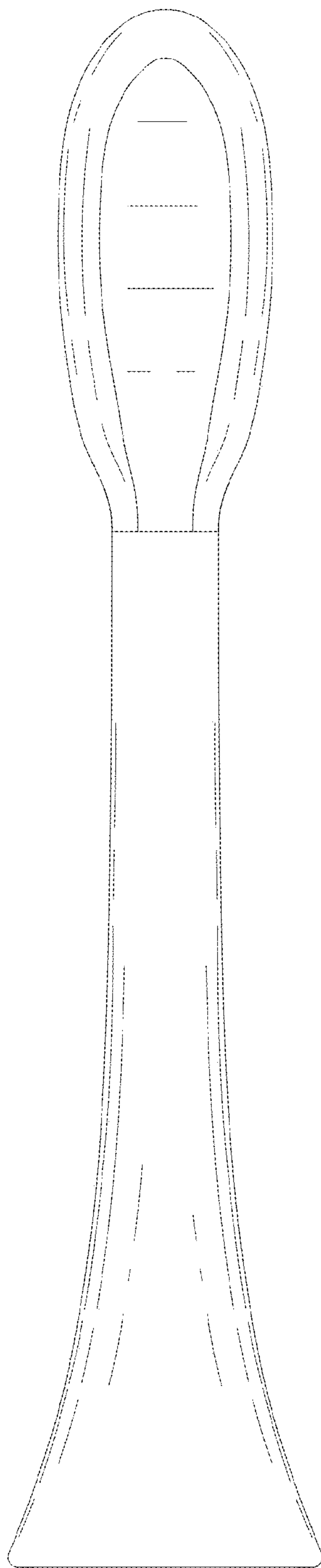


FIG. 19

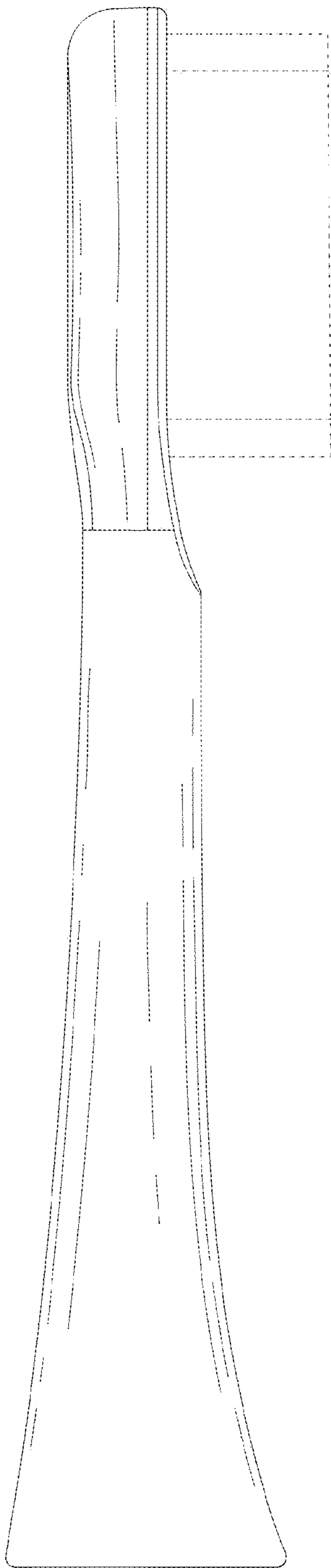


FIG. 20

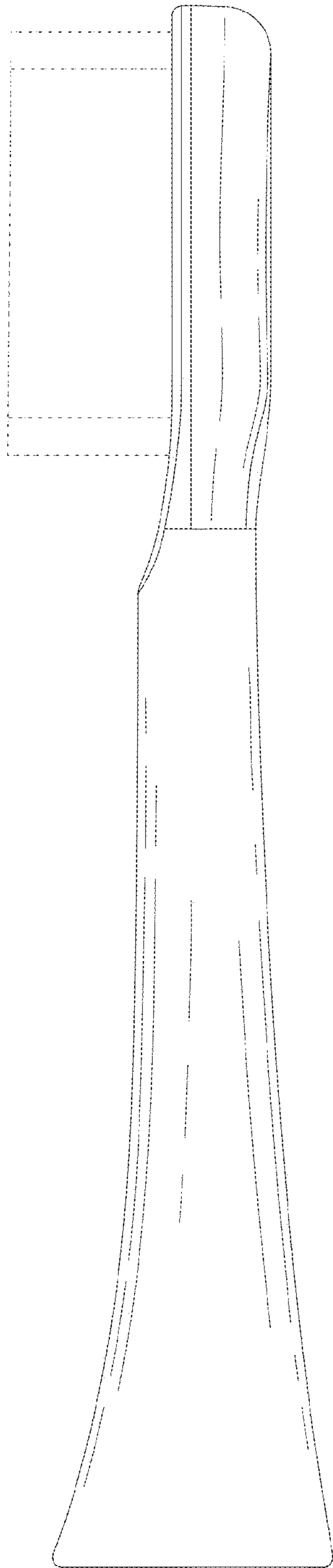


FIG. 21

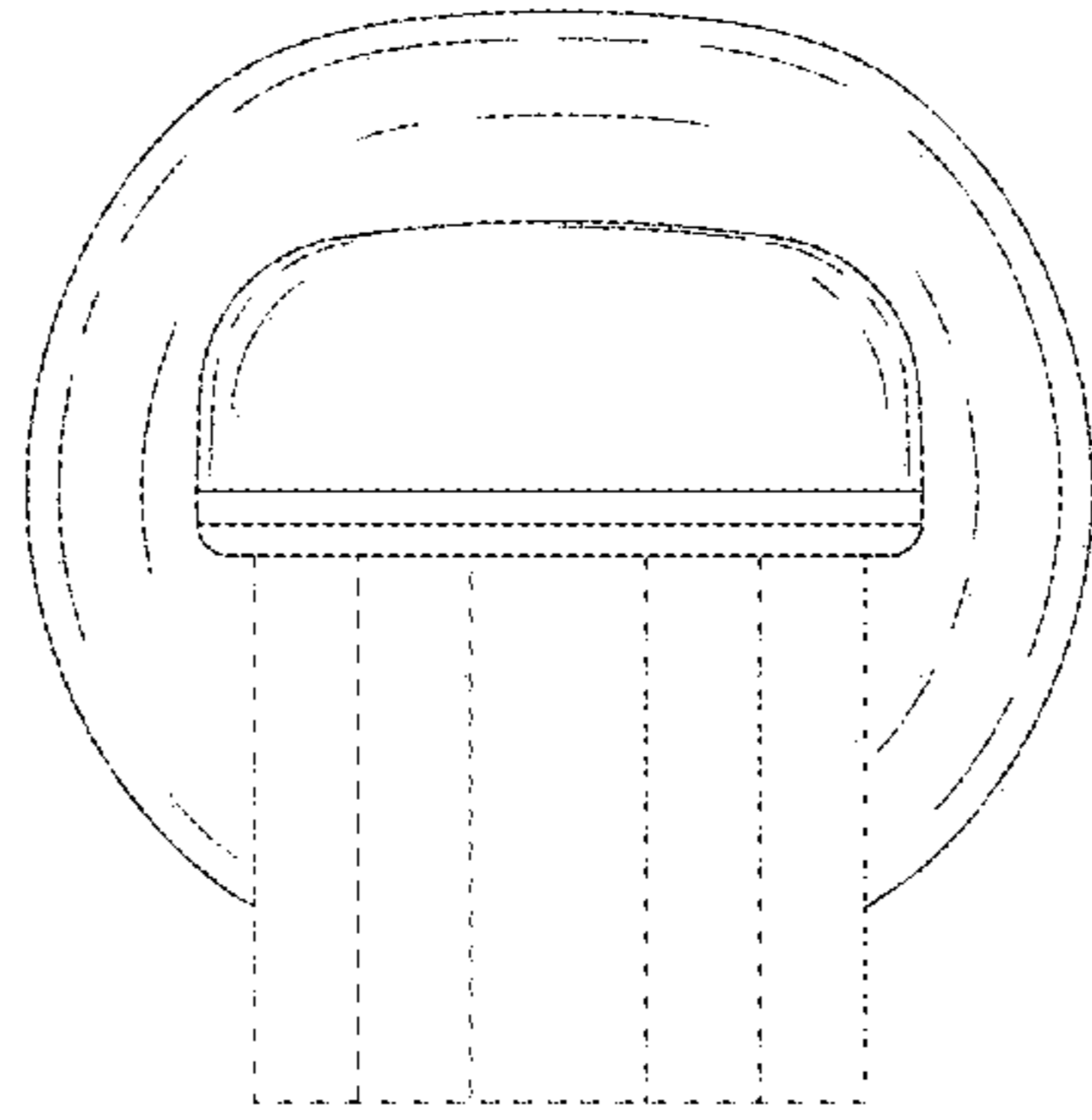


FIG. 22



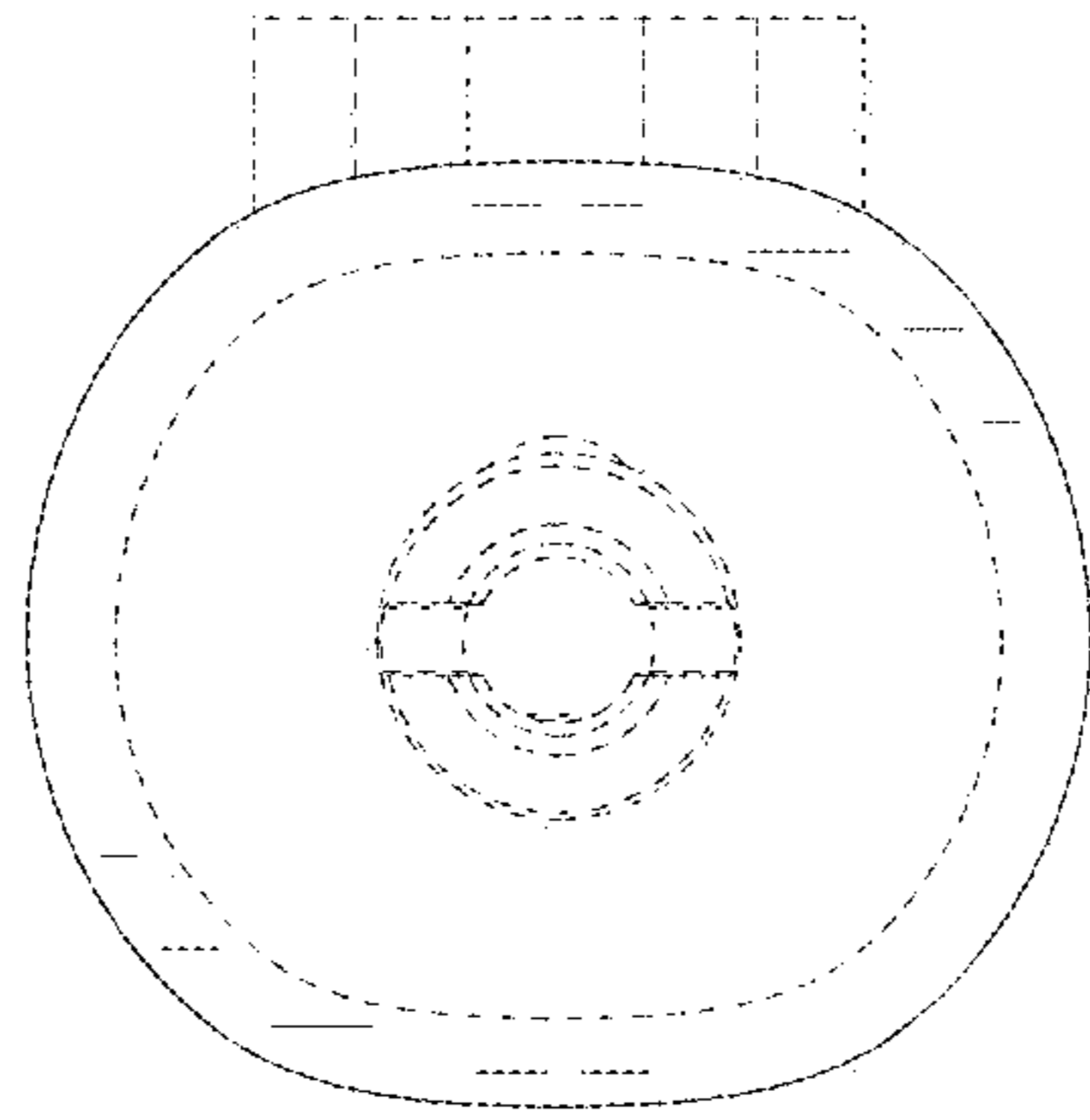


FIG. 23

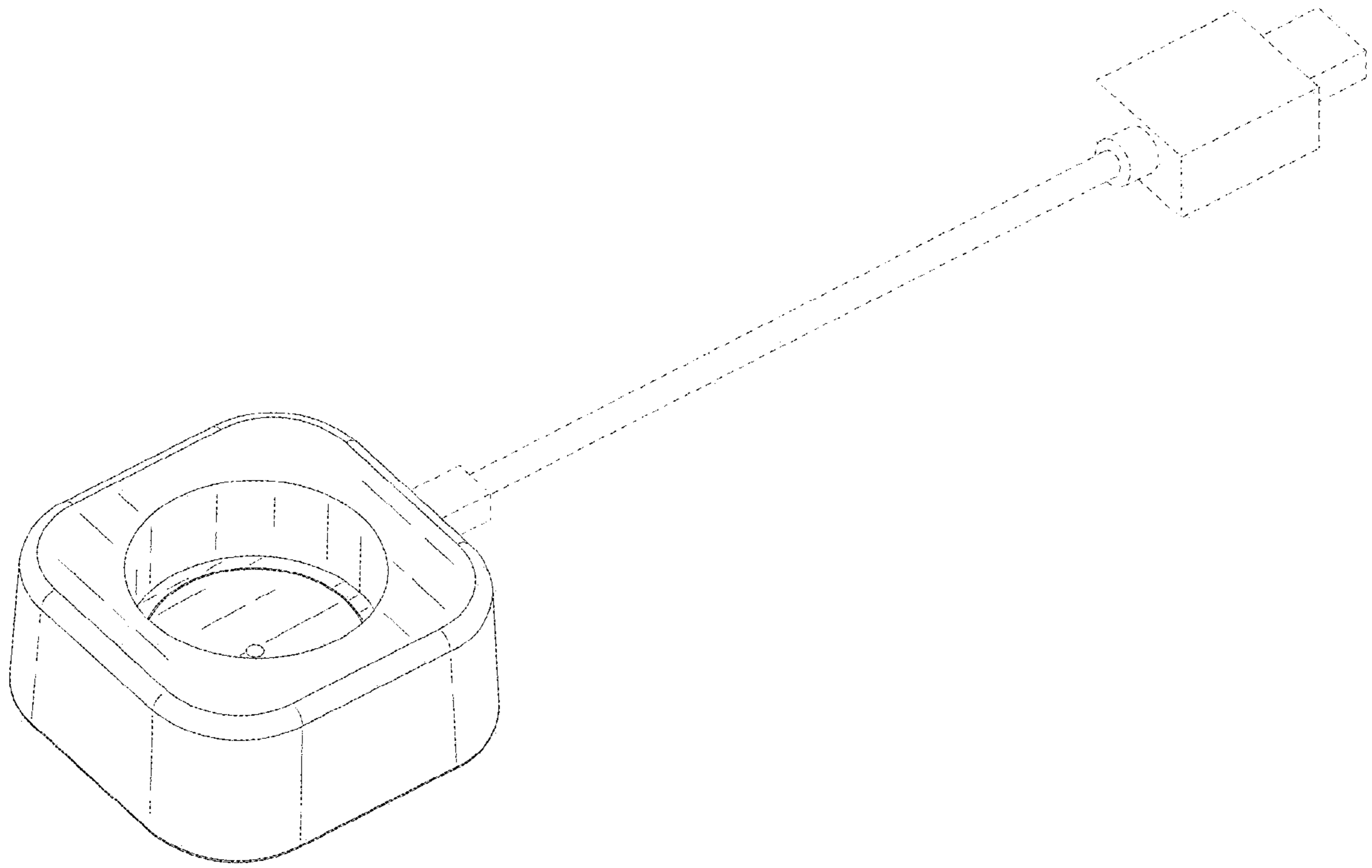


FIG. 24

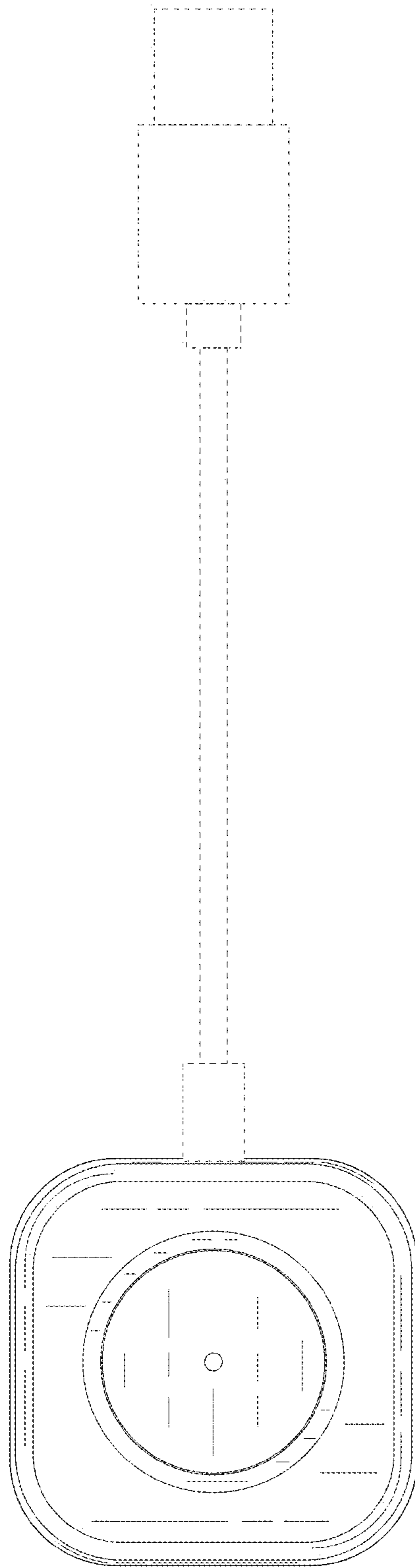


FIG. 25

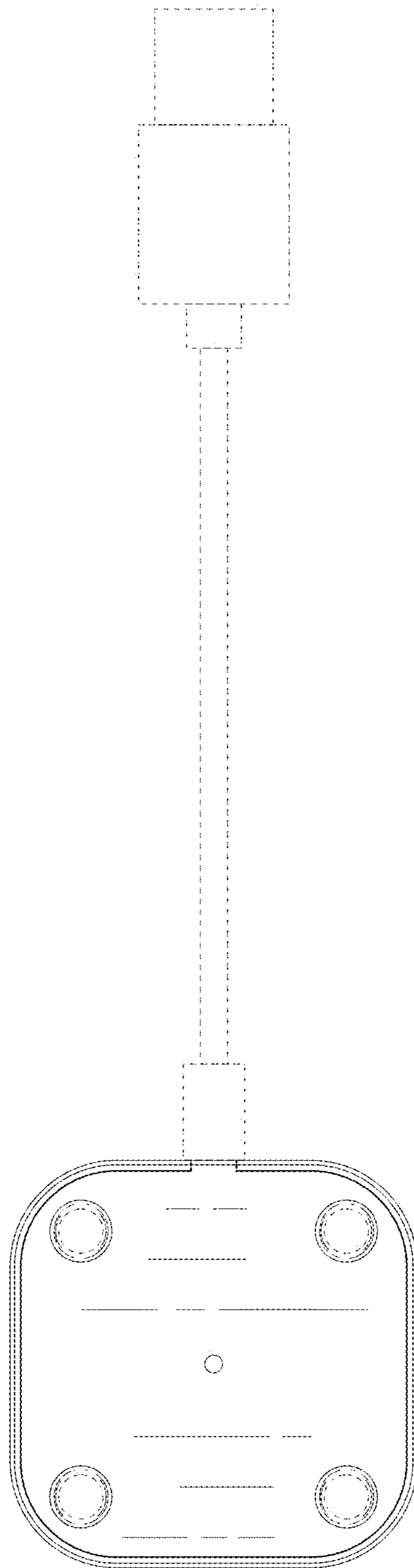


FIG. 26

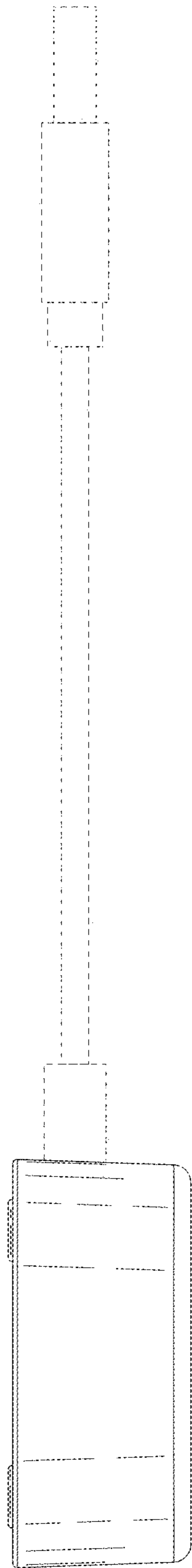


FIG. 27

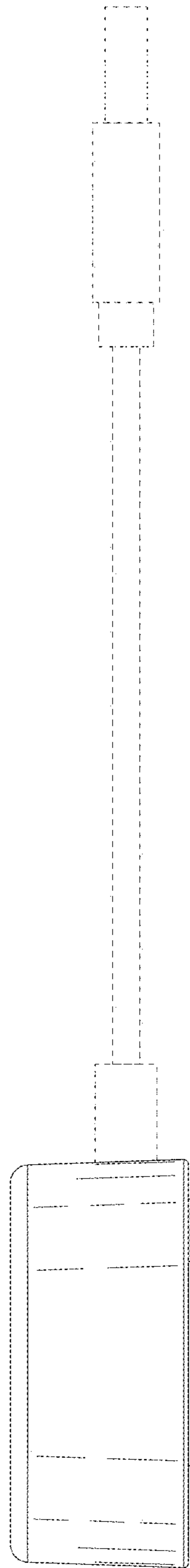


FIG. 28

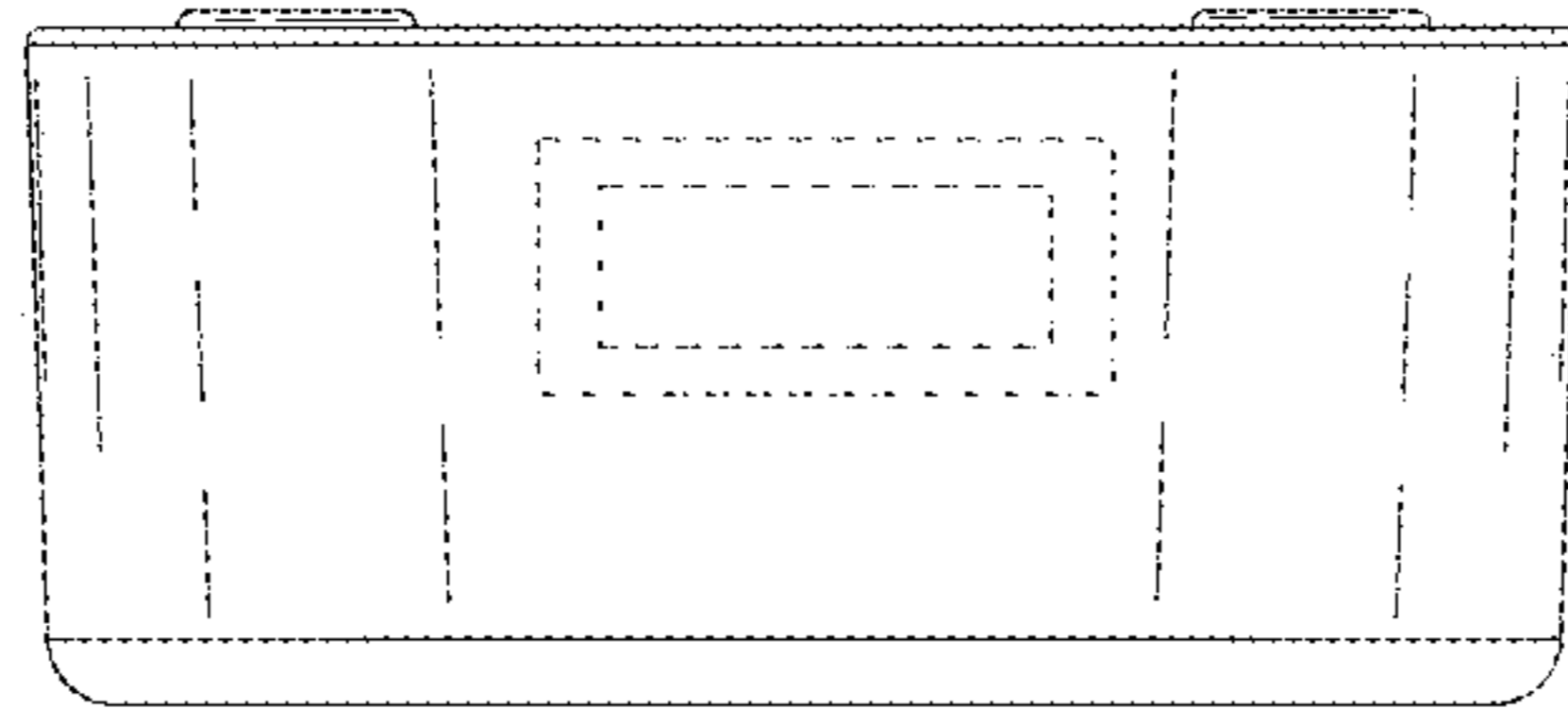


FIG. 29

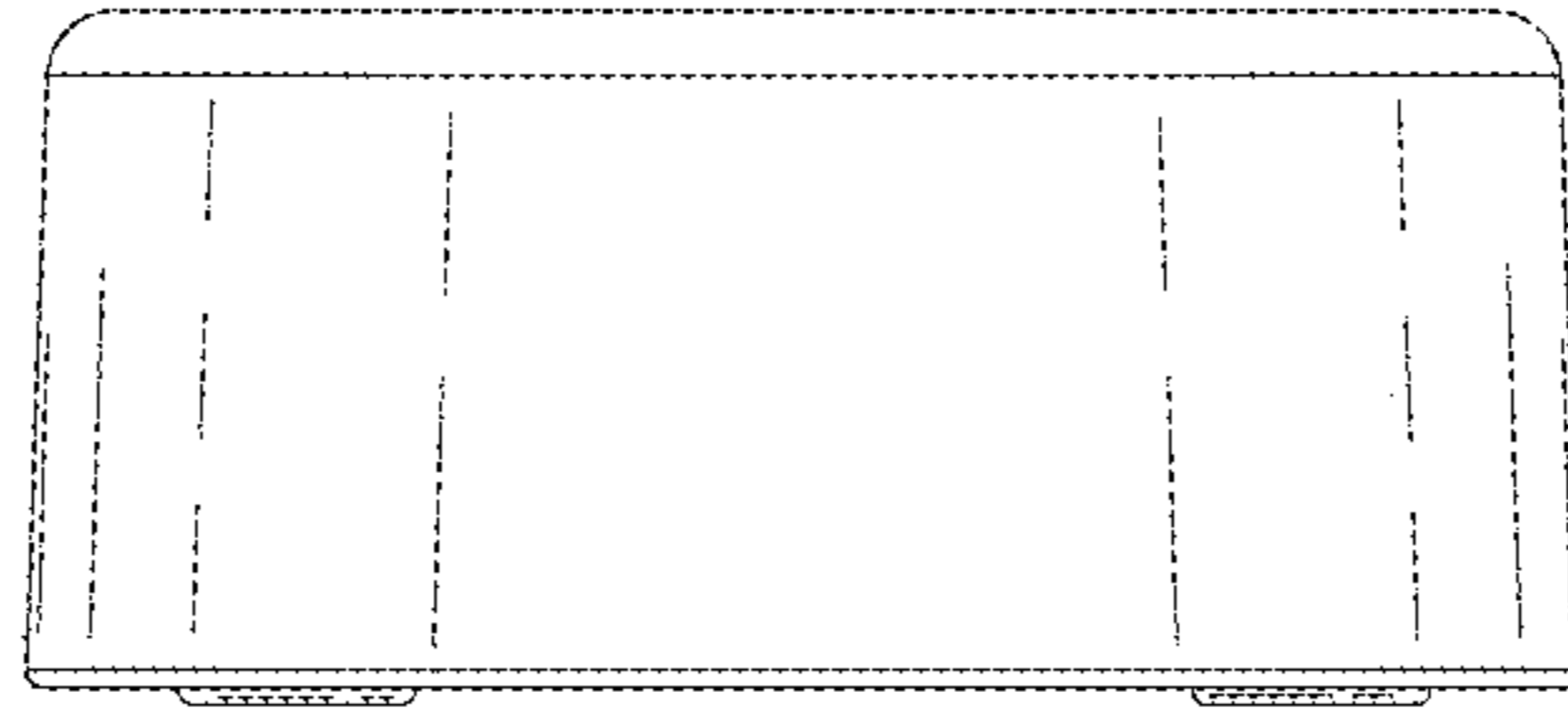


FIG. 30