



US00D964745S

(12) **United States Design Patent** (10) **Patent No.:** **US D964,745 S**  
**Pfotenhauer et al.** (45) **Date of Patent:** **\*\* Sep. 27, 2022**

(54) **BACKPACK STRAP ADJUSTEMENT BRACKET**

2005/0035170 A1\* 2/2005 Sears ..... A45F 3/12  
224/628

(71) Applicant: **Osprey Packs, Inc.**, Cortez, CO (US)

2011/0309124 A1 12/2011 Dubois et al.  
2020/0170389 A1\* 6/2020 Uriarte ..... A45F 3/047  
2021/0274859 A1\* 9/2021 Saggio ..... A45F 3/14

(72) Inventors: **Michael Paul Pfotenhauer**, Cortez, CO (US); **Le Nhu Quynh**, Ho Chi Minh (VN); **Thomas Pierre Rene Tellier**, Ascentia Sky (SG)

FOREIGN PATENT DOCUMENTS

EP 2386222 B1 11/2011

(73) Assignee: **Osprey Packs, Inc.**, Cortez, CO (US)

OTHER PUBLICATIONS

(\*\*) Term: **15 Years**

Osprey Packs | Rook/Renn Series | Product Series, video posted by user ospreypacks, posted Jan. 14, 2019, youtube.com [online], [site visited Mar. 9, 2022], Available at URL: <https://www.youtube.com/watch?v=wa9RLxkXM0Q&t=1s> (Year: 2019).\*

(21) Appl. No.: **29/764,535**

\* cited by examiner

(22) Filed: **Dec. 30, 2020**

(51) **LOC (13) Cl.** ..... **03-01**

*Primary Examiner* — Jeffrey D Asch  
*Assistant Examiner* — Caitlin A Laverty

(52) **U.S. Cl.**

USPC ..... **D3/318**; D8/382

(58) **Field of Classification Search**

USPC ..... D3/213–218, 221, 224–228, 254, 273,  
D3/293–294, 300, 303, 318, 321, 327;  
D8/380, 354, 373, 382; D11/212, 220  
CPC .... A45F 3/03; A45F 3/08; A45F 5/021; A45F  
3/13

See application file for complete search history.

(57) **CLAIM**

The ornamental design for a backpack strap adjustment bracket, as shown and described.

**DESCRIPTION**

(56) **References Cited**

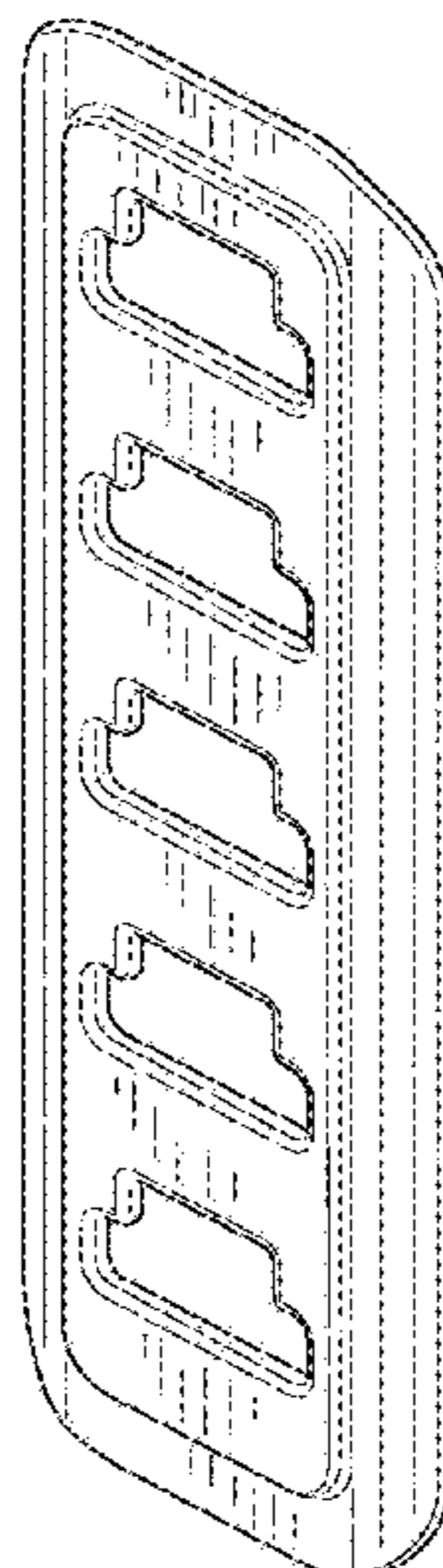
U.S. PATENT DOCUMENTS

614,962 A \* 11/1898 Landauer ..... A42B 1/201  
2/171.5  
D285,647 S \* 9/1986 Sachs ..... 174/41  
D342,595 S \* 12/1993 Day ..... D2/891  
D359,442 S \* 6/1995 Johansson ..... D8/382  
D359,443 S \* 6/1995 Johansson ..... D8/382  
D359,444 S \* 6/1995 Johansson ..... D8/382  
D480,946 S \* 10/2003 Estep, Jr. .... D8/367  
D534,905 S \* 1/2007 Sergi ..... D8/354  
D586,205 S \* 2/2009 Robbins, III ..... D8/380  
D729,043 S \* 5/2015 Poppell ..... D8/354  
D913,696 S \* 3/2021 Malarcsek ..... D3/216  
2002/0158097 A1\* 10/2002 Beale ..... A45F 3/04  
224/644

FIG. 1 is a front perspective view of a backpack strap adjustment bracket showing our new design; FIG. 2 is rear perspective view of FIG. 1; FIG. 3 is a front elevation view of FIG. 1; FIG. 4 is a rear elevation view of FIG. 1; FIG. 5 is a right side elevation view of FIG. 1; FIG. 6 is a left side elevation view of FIG. 1; FIG. 7 is a top plan view of FIG. 1; FIG. 8 is a bottom plan view of FIG. 1; and, FIG. 9 is a view of the backpack strap adjustment bracket provided on an associated backpack.

The phantom lines in FIG. 9 depicting the associated backpack are used for illustrative purposes only and form no part of the claimed design.

**1 Claim, 8 Drawing Sheets**



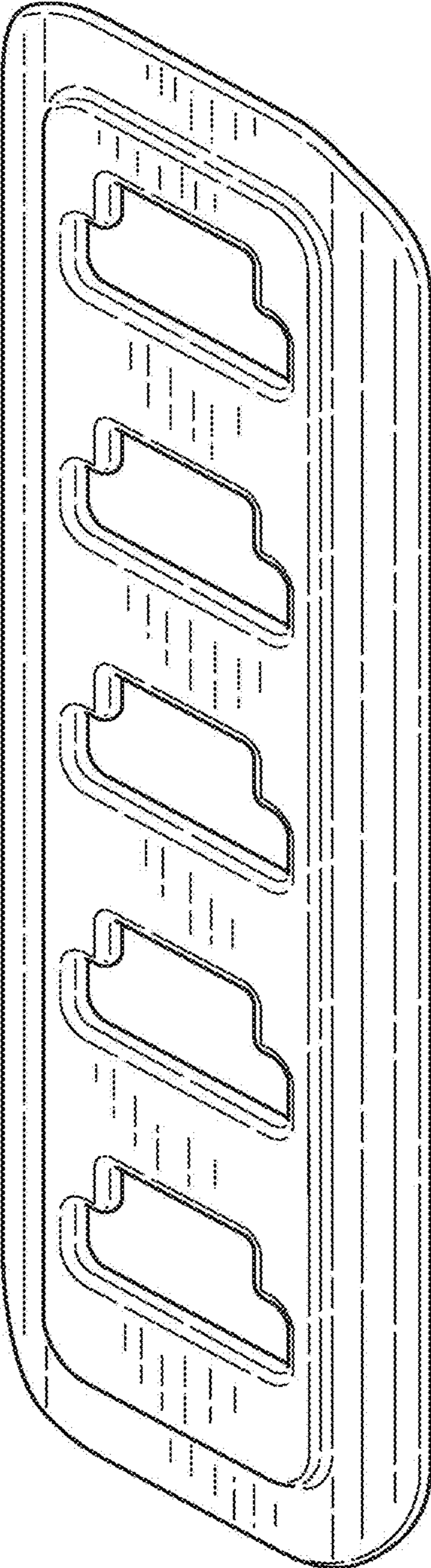


FIG. 1

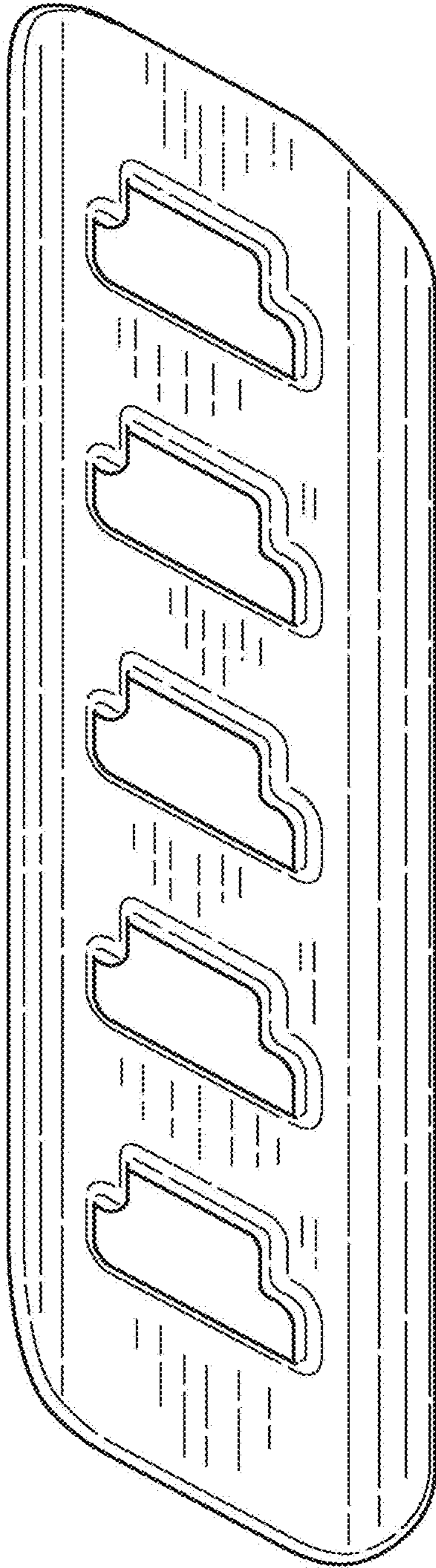


FIG. 2

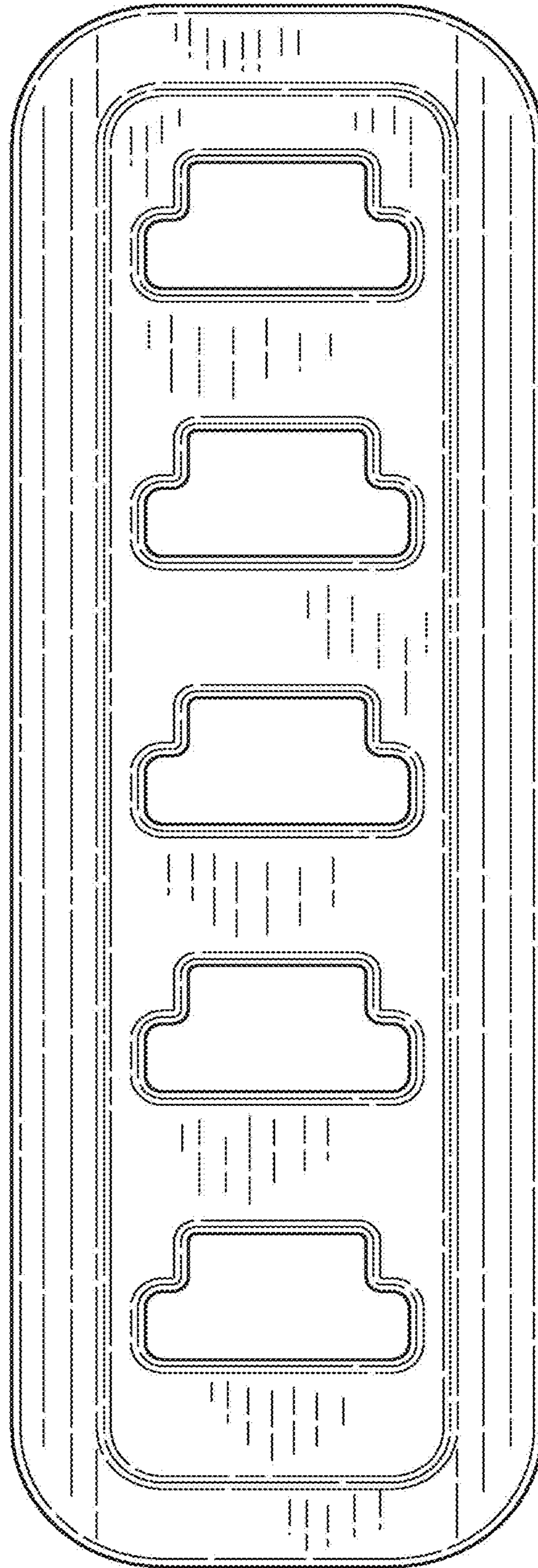


FIG. 3

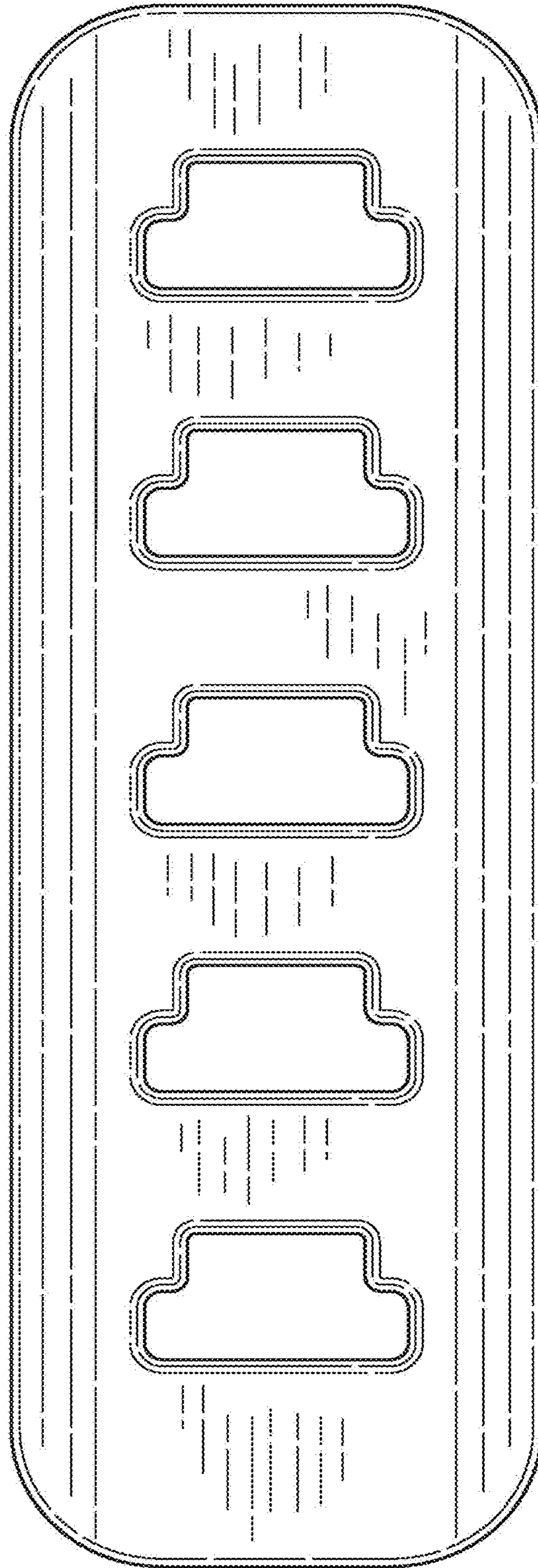


FIG. 4



FIG. 5

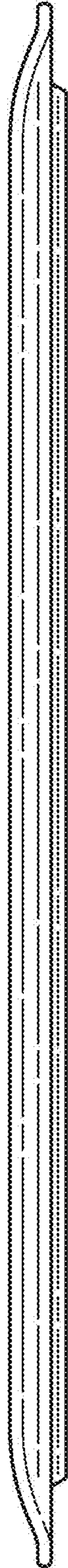


FIG. 6



FIG. 7

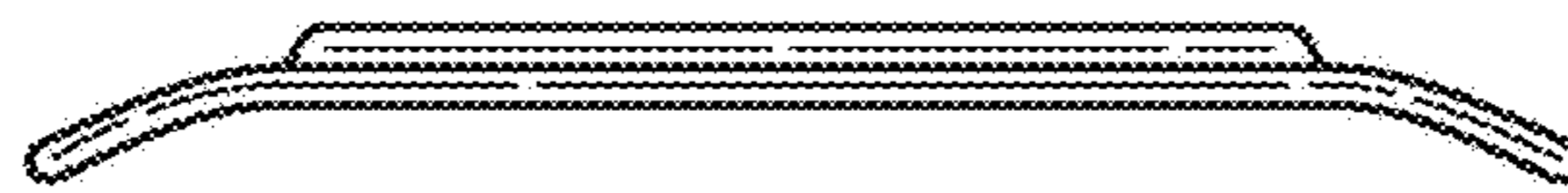


FIG. 8



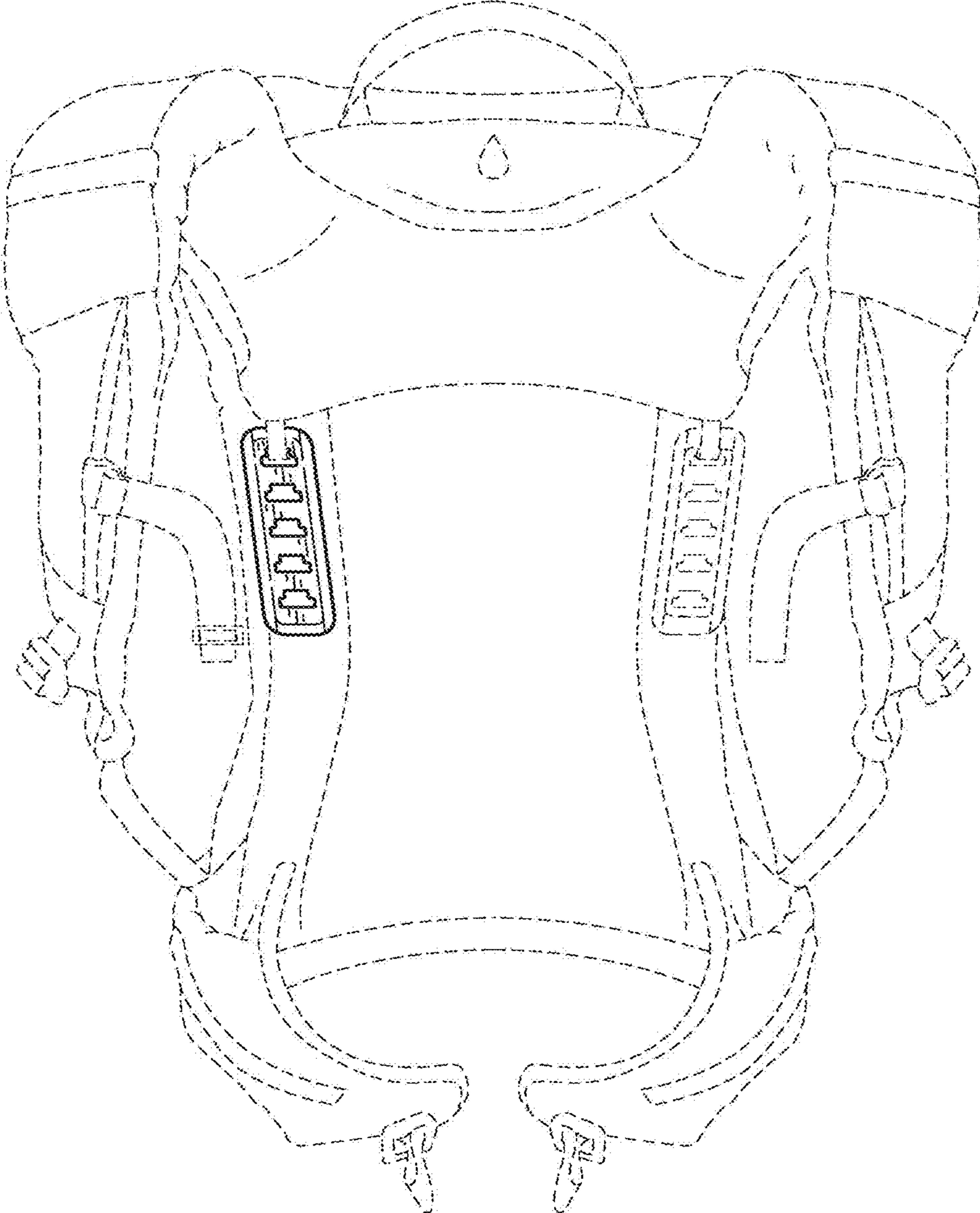


FIG.9