



US00D964743S

(12) **United States Design Patent** (10) **Patent No.:** **US D964,743 S**
Kraemer (45) **Date of Patent:** **** Sep. 27, 2022**

(54) **CONTAINER**

(71) Applicant: **InterDesign, Inc.**, Solon, OH (US)

(72) Inventor: **Kevin Francis Kraemer**, Chagrin Falls, OH (US)

(73) Assignee: **InterDesign, Inc.**, Solon, OH (US)

(**) Term: **15 Years**

(21) Appl. No.: **29/805,395**

(22) Filed: **Aug. 26, 2021**

Related U.S. Application Data

(60) Continuation of application No. 29/770,738, filed on Feb. 16, 2021, now Pat. No. Des. 929,148, which is a continuation of application No. 29/733,291, filed on Apr. 30, 2020, now Pat. No. Des. 913,009, which is a division of application No. 29/643,819, filed on Apr. 12, 2018, now Pat. No. Des. 905,483, which is a continuation of application No. 29/553,877, filed on Feb. 5, 2016, now abandoned.

(51) **LOC (13) Cl.** **03-01**

(52) **U.S. Cl.**

USPC **D3/304**

(58) **Field of Classification Search**

USPC D6/524, 525, 528, 531, 534, 535, 512;
D7/524, 525, 526, 527, 528, 529, 537,
D7/507, 509, 510, 511, 512, 532, 523,
D7/396.2, 392.1, 530, 531; D11/152,
D11/153; D9/651, 550; D3/304, 307,
D3/308, 315

CPC B65D 1/00; B65D 21/02; B65D 21/00
See application file for complete search history.

(56) **References Cited**

U.S. PATENT DOCUMENTS

1,587,167 A * 6/1926 Marsden A47J 41/0083
D7/629
2,767,755 A * 10/1956 Hill B65D 1/26
206/520

D245,580 S * 8/1977 Larsson D7/612
D274,396 S * 6/1984 Kikuchi D9/432
D289,105 S * 4/1987 Sussman D7/612
D289,352 S * 4/1987 Sher D7/701
D340,385 S * 10/1993 Durand D7/509
D351,765 S * 10/1994 Beeler D7/629
D356,979 S * 4/1995 Rahr D11/143
D532,937 S * 11/2006 Noh D28/91
D645,172 S * 9/2011 Cobb D26/6
D702,547 S * 4/2014 Akana D9/721
D785,365 S * 5/2017 Newlin D6/526

OTHER PUBLICATIONS

Amazon.Com, iDesign CLarity Metal Tumbler Makeup Brush Toothbrush Holder for Bathroom, Nov. 10, 2017, <https://www.amazon.com/InterDesign-Clarity-Canister-Cotton-cotton/product-reviews/B01A61NBDK/> (Year: 2017).*

* cited by examiner

Primary Examiner — Nathan M Johnston

(74) *Attorney, Agent, or Firm* — Calfee, Halter & Griswold LLP

(57) **CLAIM**

I claim the ornamental design for a container, as shown and described.

DESCRIPTION

FIG. 1 is a front/right/top perspective view of a container (a front/left/top perspective view would be a mirror image thereof);

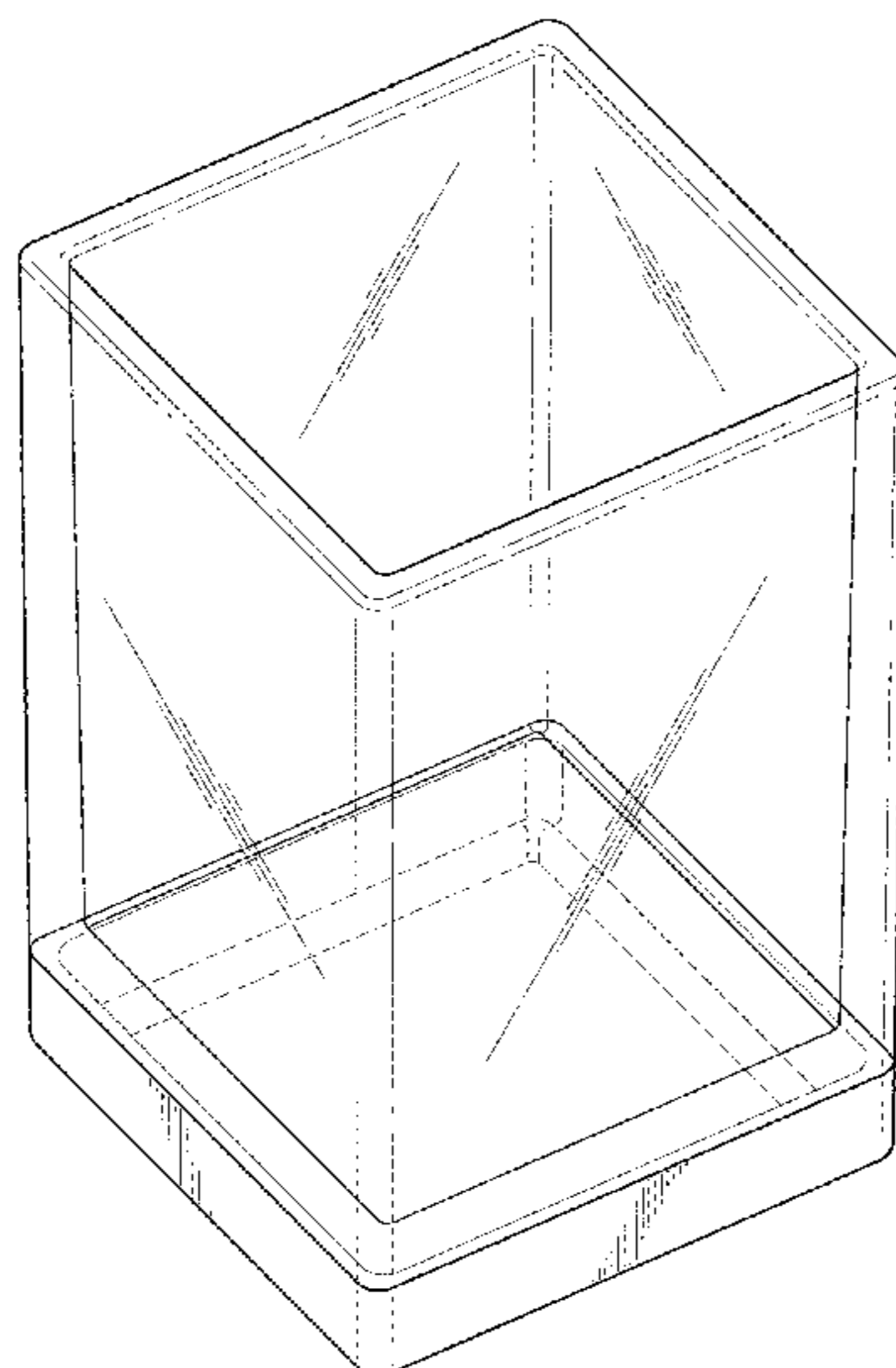
FIG. 2 is a rear/left/bottom perspective view thereof (a rear/right/bottom perspective view would be a mirror image thereof);

FIG. 3 is a front elevational view thereof; and,

FIG. 4 is a top plan view thereof.

The broken lines show portions of the container that form no part of the claimed design.

1 Claim, 4 Drawing Sheets



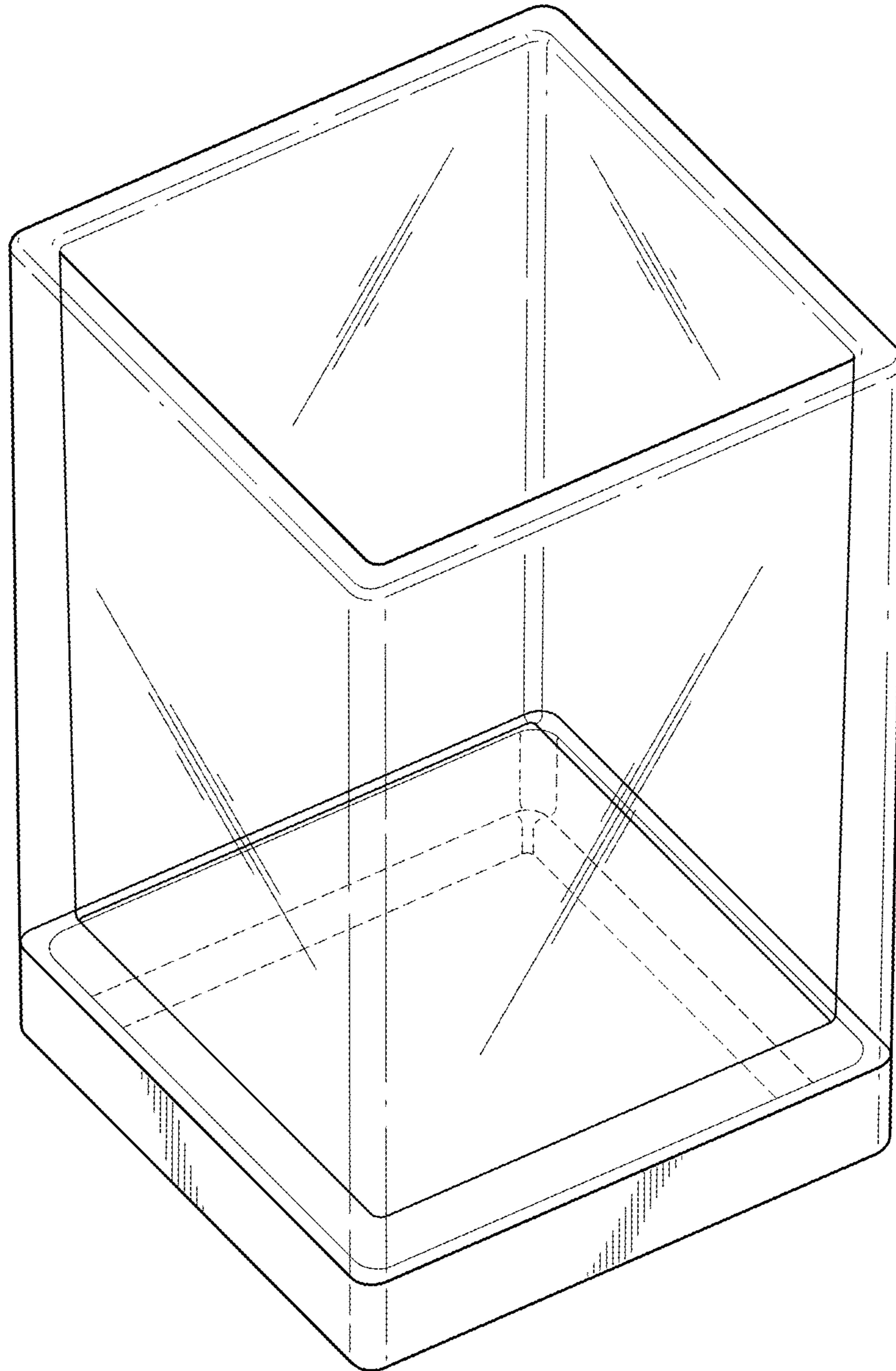


FIG. 1

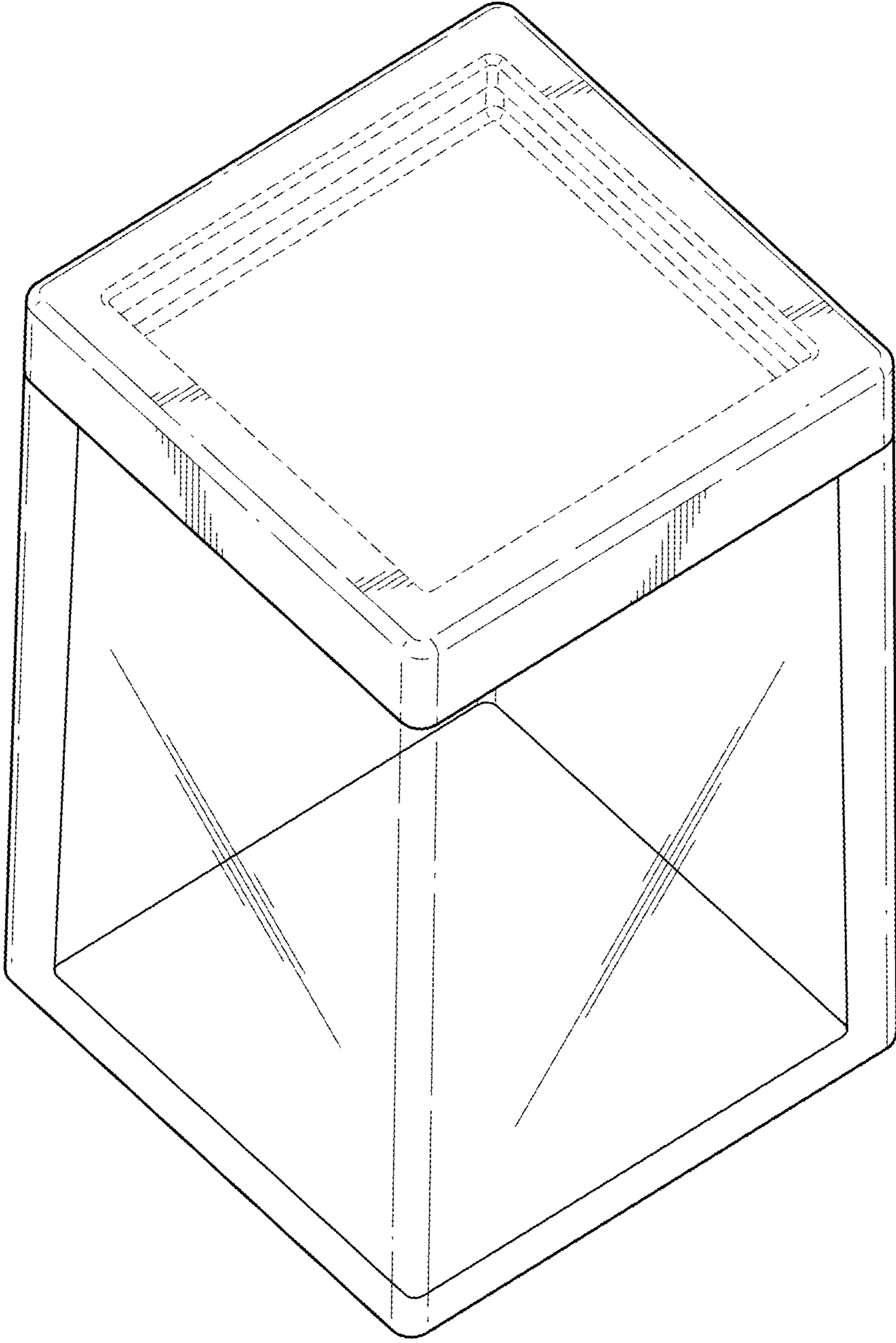


FIG. 2

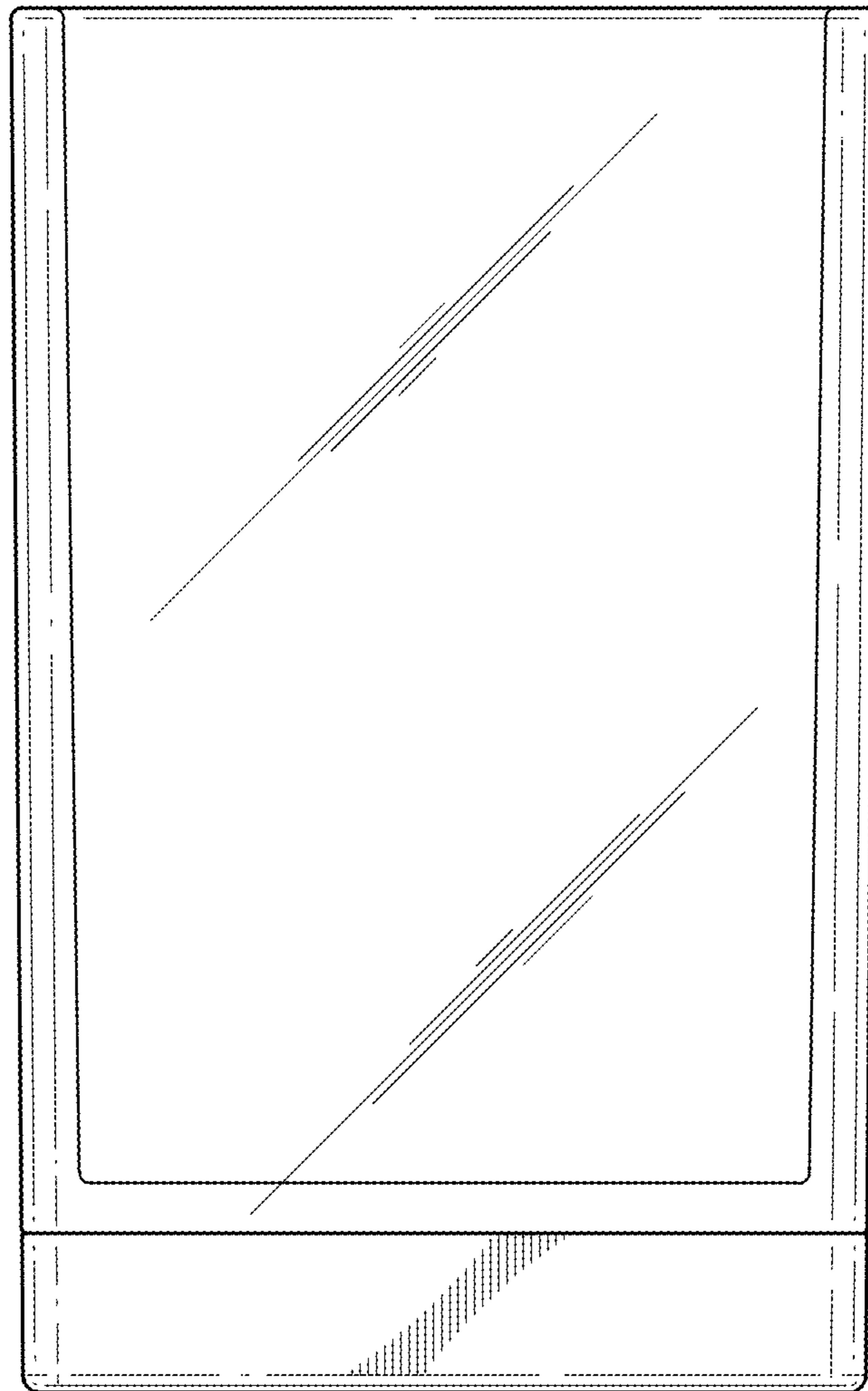


FIG. 3

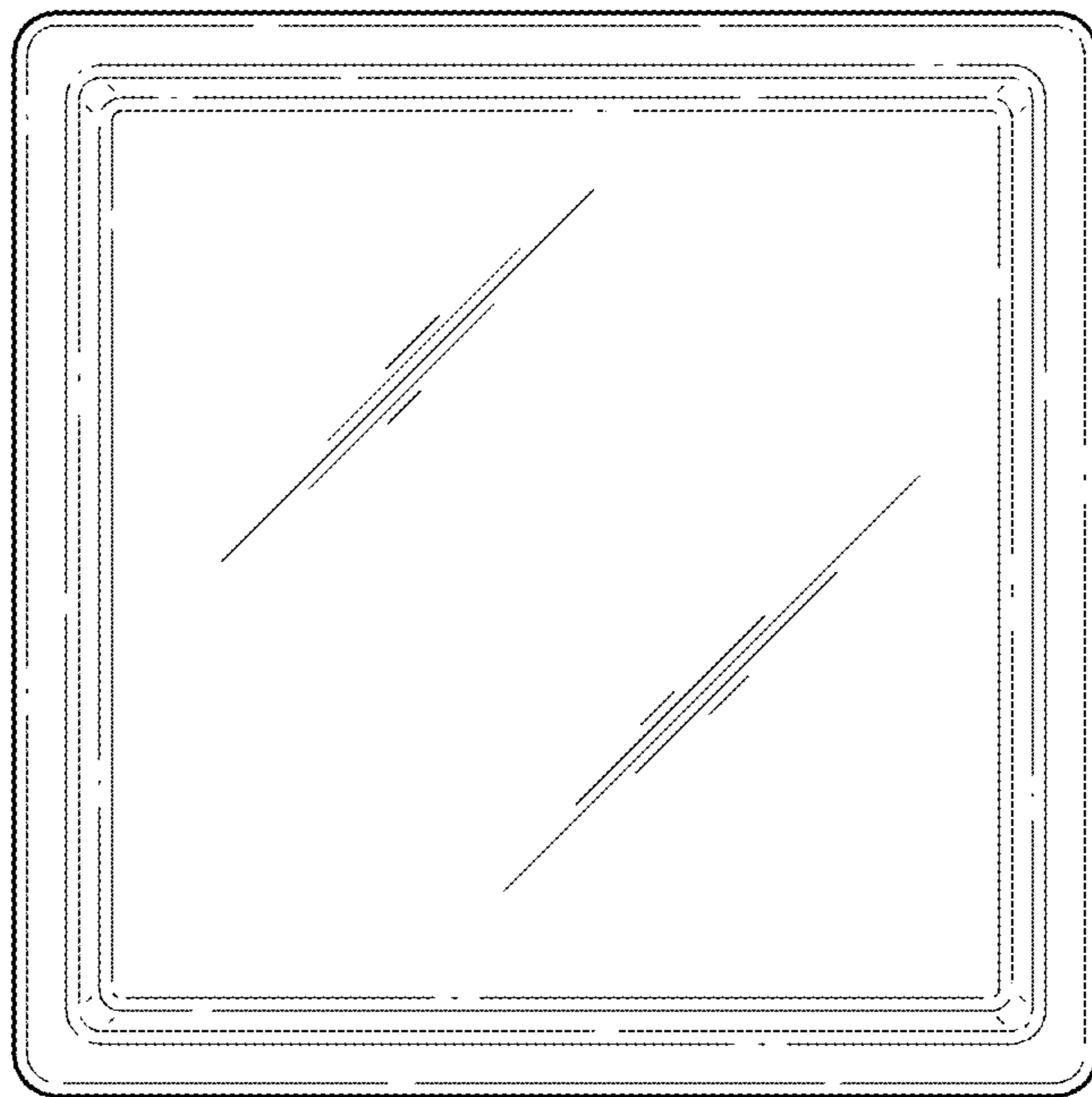


FIG. 4