

US00D964742S

(12) **United States Design Patent**  
**Lu**

(10) **Patent No.:** **US D964,742 S**  
(45) **Date of Patent:** **\*\* Sep. 27, 2022**

- (54) **ZIPPER BAG**
- (71) Applicant: **Xiamen Shuichetan Trading Co., Ltd.,**  
Xiamen (CN)
- (72) Inventor: **Xiaoyan Lu,** Xiamen (CN)
- (73) Assignee: **Xiamen Shuichetan Trading Co., Ltd.,**  
Xiamen (CN)
- (\*\*) Term: **15 Years**
- (21) Appl. No.: **29/810,770**
- (22) Filed: **Oct. 8, 2021**
- (51) **LOC (13) Cl.** ..... **03-01**
- (52) **U.S. Cl.**  
USPC ..... **D3/301**
- (58) **Field of Classification Search**  
USPC ..... D3/201, 254, 272, 273, 301; D12/413;  
224/309, 328  
CPC ..... B60R 9/055; B60R 9/05  
See application file for complete search history.

- 2011/0011762 A1\* 1/2011 Hurst ..... B65D 65/08  
206/326
- 2011/0024471 A1\* 2/2011 Golenz ..... B60R 9/055  
224/314
- 2011/0180550 A1\* 7/2011 Kenneally ..... F25D 3/125  
220/592.2

**OTHER PUBLICATIONS**

CURT Cargo Bag announced Oct. 15, 2014 [online], [site visited Jun. 16, 2022]. Available from internet, URL: <[https://www.amazon.com/CURT-18220-Roof-Rack-Cargo/dp/B00OJ9MY4I?ref\\_ast\\_sto\\_dp](https://www.amazon.com/CURT-18220-Roof-Rack-Cargo/dp/B00OJ9MY4I?ref_ast_sto_dp)> (Year: 2014).\*

(Continued)

*Primary Examiner* — Kevin K Rudzinski  
*Assistant Examiner* — Amber J Rabie  
(74) *Attorney, Agent, or Firm* — True Shepherd, LLC;  
Andrew Cheng

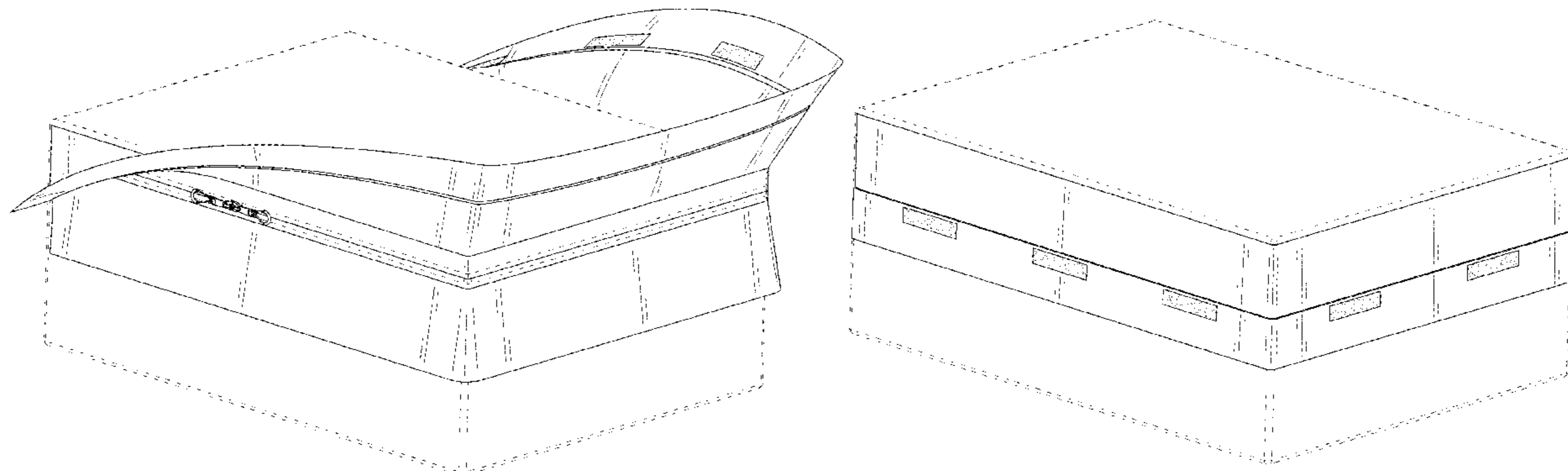
(57) **CLAIM**

The ornamental design for a zipper bag, as shown and described.

**DESCRIPTION**

FIG. 1 is a front, right and top perspective view of a zipper bag, showing my design.  
FIG. 2 is a front elevation view thereof.  
FIG. 3 is a rear elevation view thereof.  
FIG. 4 is a left side elevation view thereof.  
FIG. 5 is a right side elevation view thereof.  
FIG. 6 is a top plan view thereof.  
FIG. 7 is a bottom plan view thereof; and,  
FIG. 8 is a reference view of the zipper bag, showing a usage status.  
The broken lines shown in the drawings are included for the purpose of illustrating portions of the zipper bag that form no part of the claimed design.

**1 Claim, 8 Drawing Sheets**



- (56) **References Cited**
- U.S. PATENT DOCUMENTS
- 3,000,419 A \* 9/1961 Morrison ..... B60R 9/055  
224/314
- D319,422 S \* 8/1991 Tyner ..... F25D 3/125  
D12/413
- 5,096,107 A \* 3/1992 VanSon ..... B60R 9/055  
224/317
- 5,538,169 A \* 7/1996 Moore ..... A45C 15/00  
190/111
- D410,224 S \* 5/1999 Landy ..... B60P 7/0876  
D12/413
- D727,621 S 4/2015 Lai
- D776,431 S 1/2017 Braendle
- 9,919,658 B1 \* 3/2018 Walther ..... B60P 7/0876
- D860,113 S \* 9/2019 Everett ..... B60R 9/055  
D12/413

(56)

**References Cited**

OTHER PUBLICATIONS

REESE Explore 1391800 Expandable Rainproof Car-Top Carrier, announced Oct. 21, 2015, [online], [site visited Jun. 16, 2022]. Available from internet, URL: <<https://www.amazon.com/Explore-1391800-Expandable-Rainproof-Car-Top/dp/B00ZH8FTI8/>> (Year: 2015).\*

Rabbitgoo Rooftop Cargo Carrier Waterproof Car Roof Top Cargo Bag, announced Sep. 23, 2019 [online], [site visited Jun. 16, 2022]. Available from internet, URL: <<https://www.amazon.com/rabbitgoo-Rooftop-Waterproof-Vehicles-Capacity/dp/B07Y9QL6FW/>> (Year: 2019).\*

\* cited by examiner

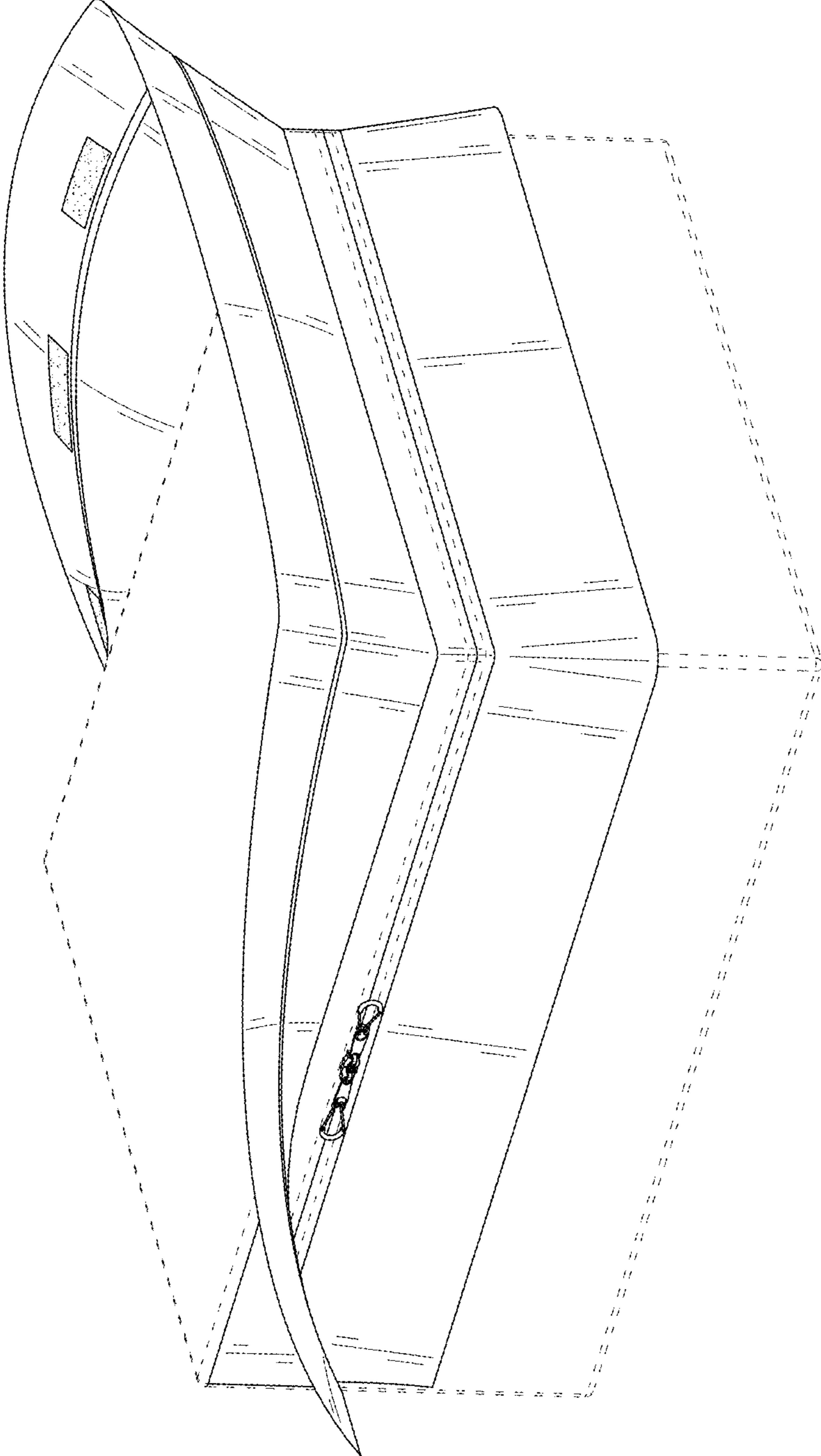


FIG.1

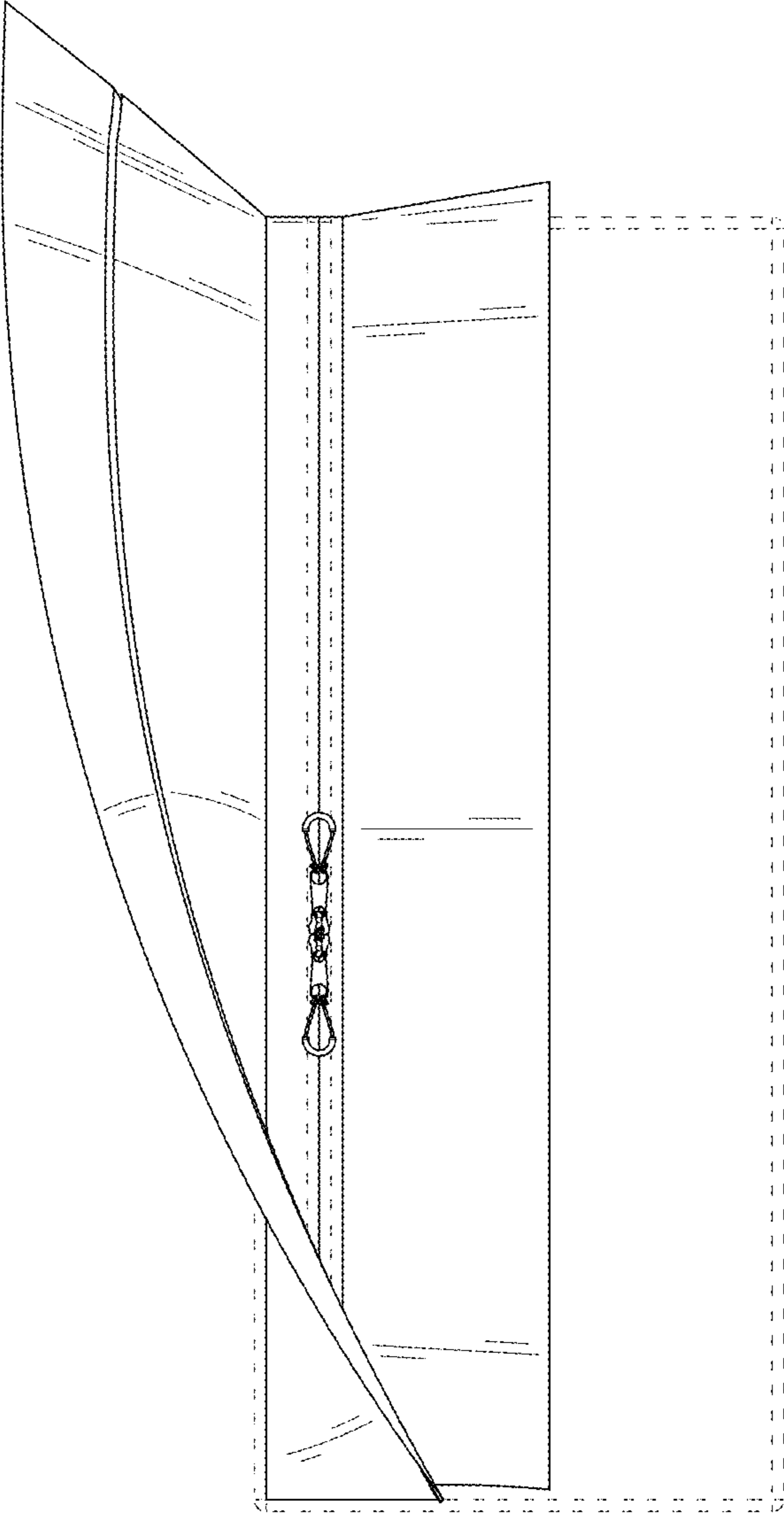


FIG. 2

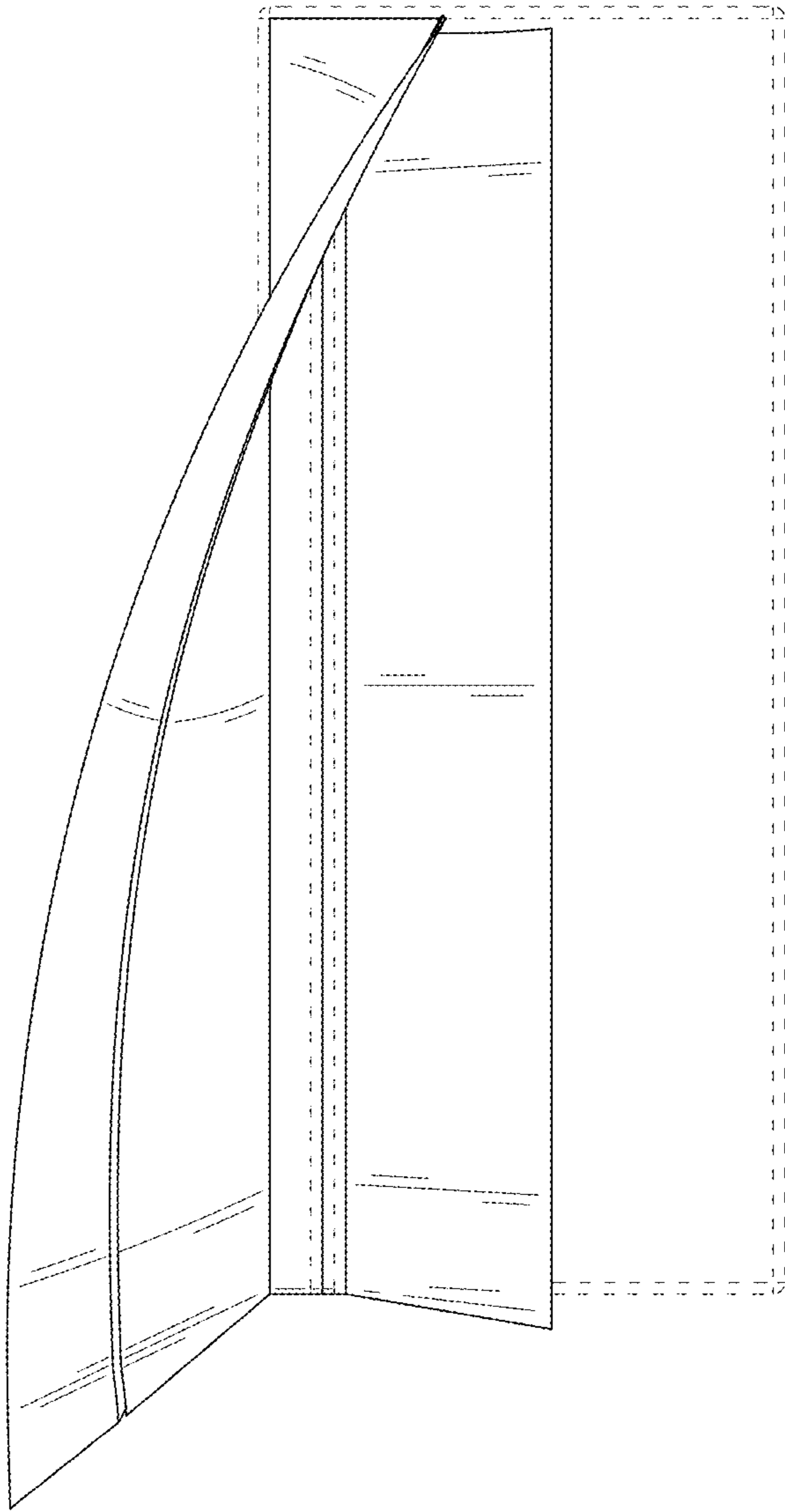


FIG. 3

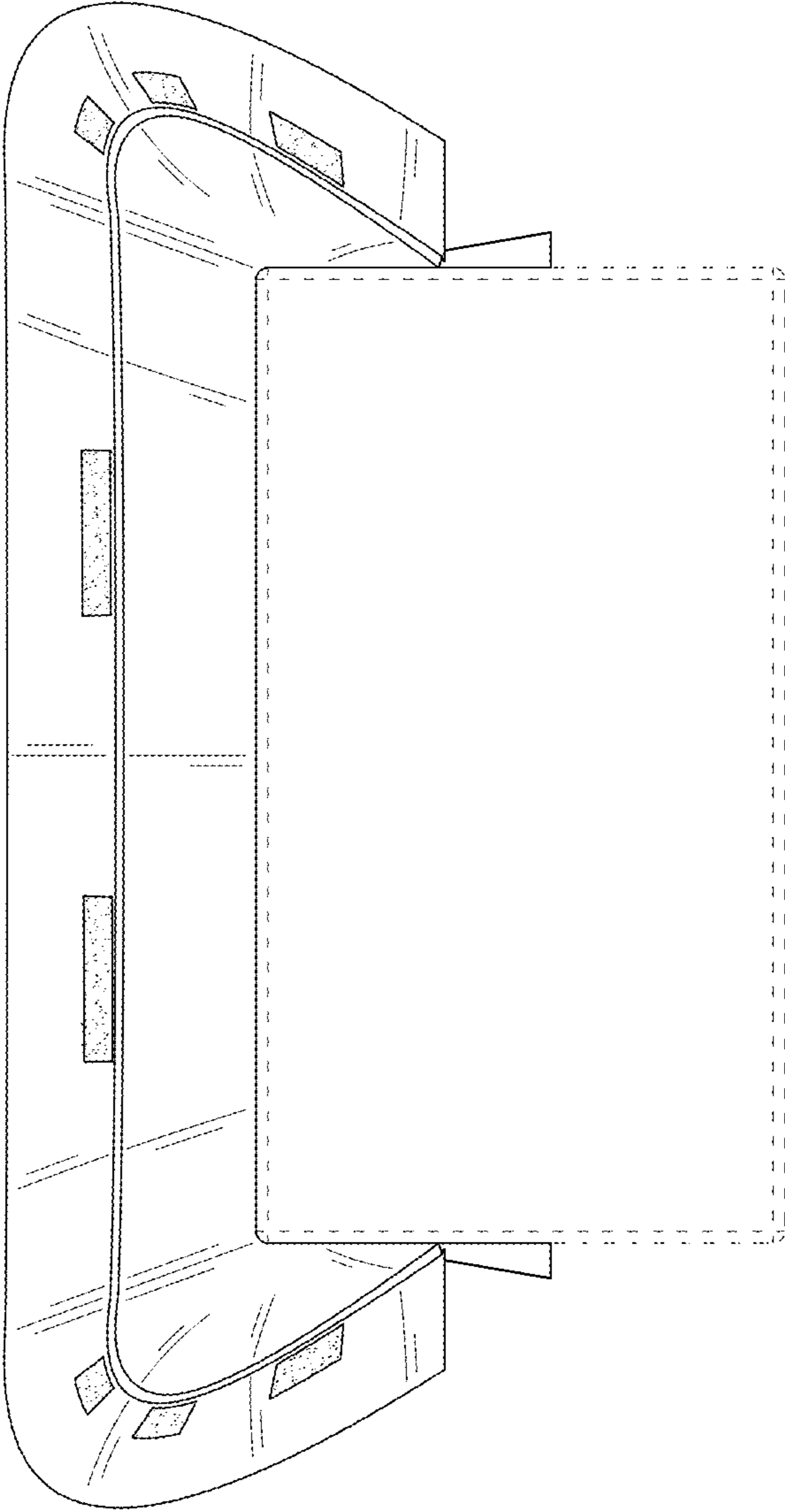


FIG.4

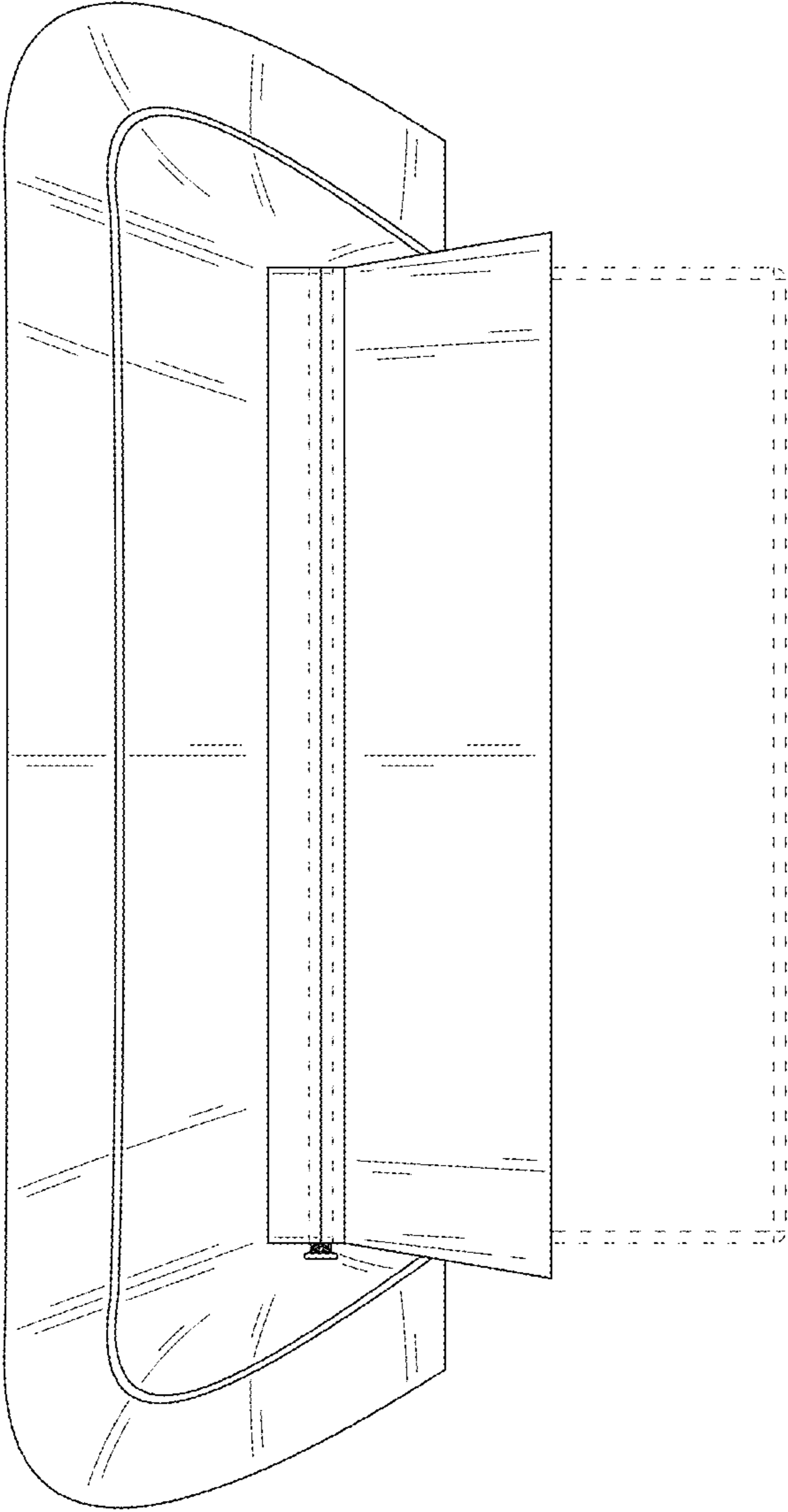


FIG. 5



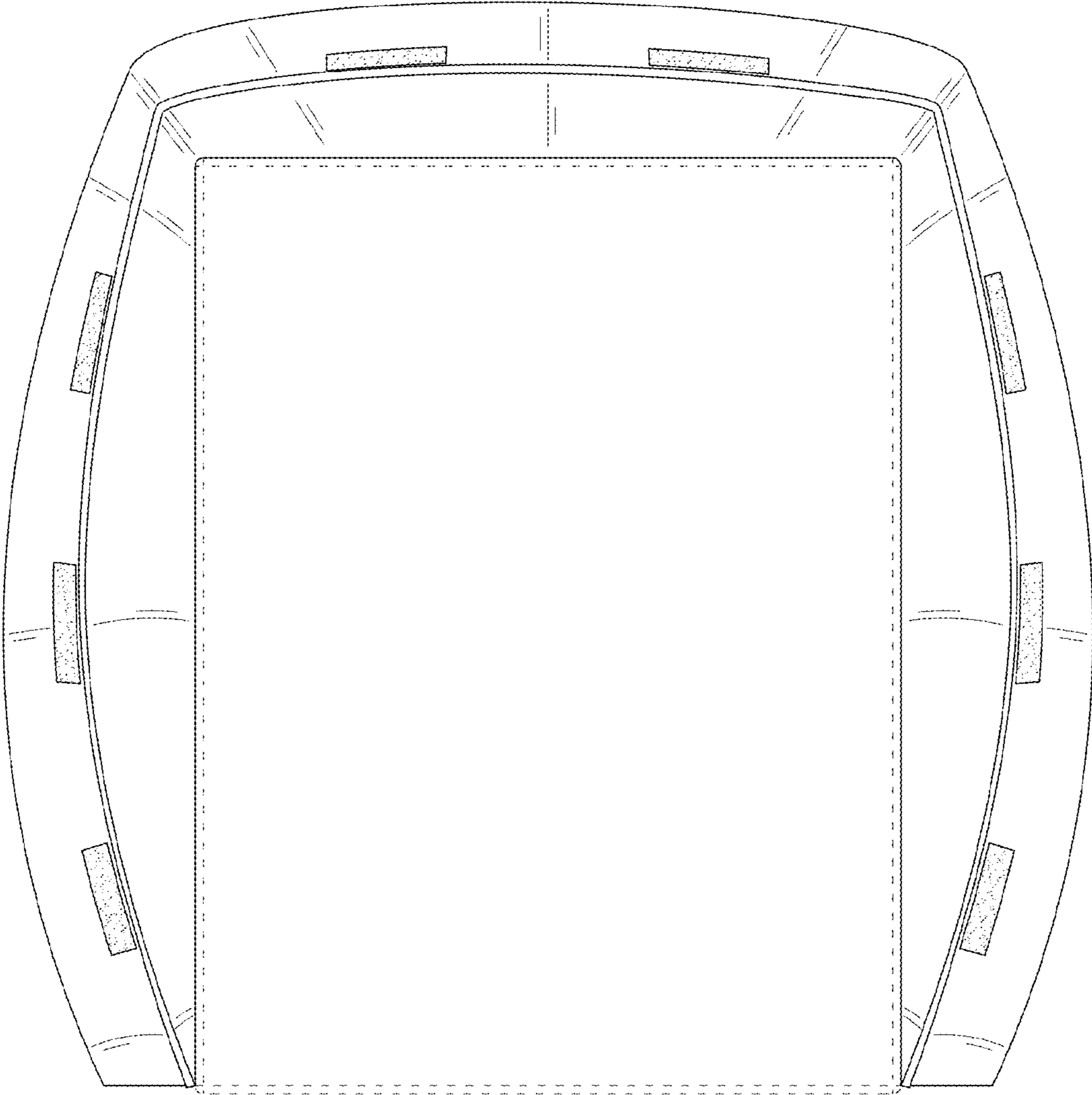


FIG.6



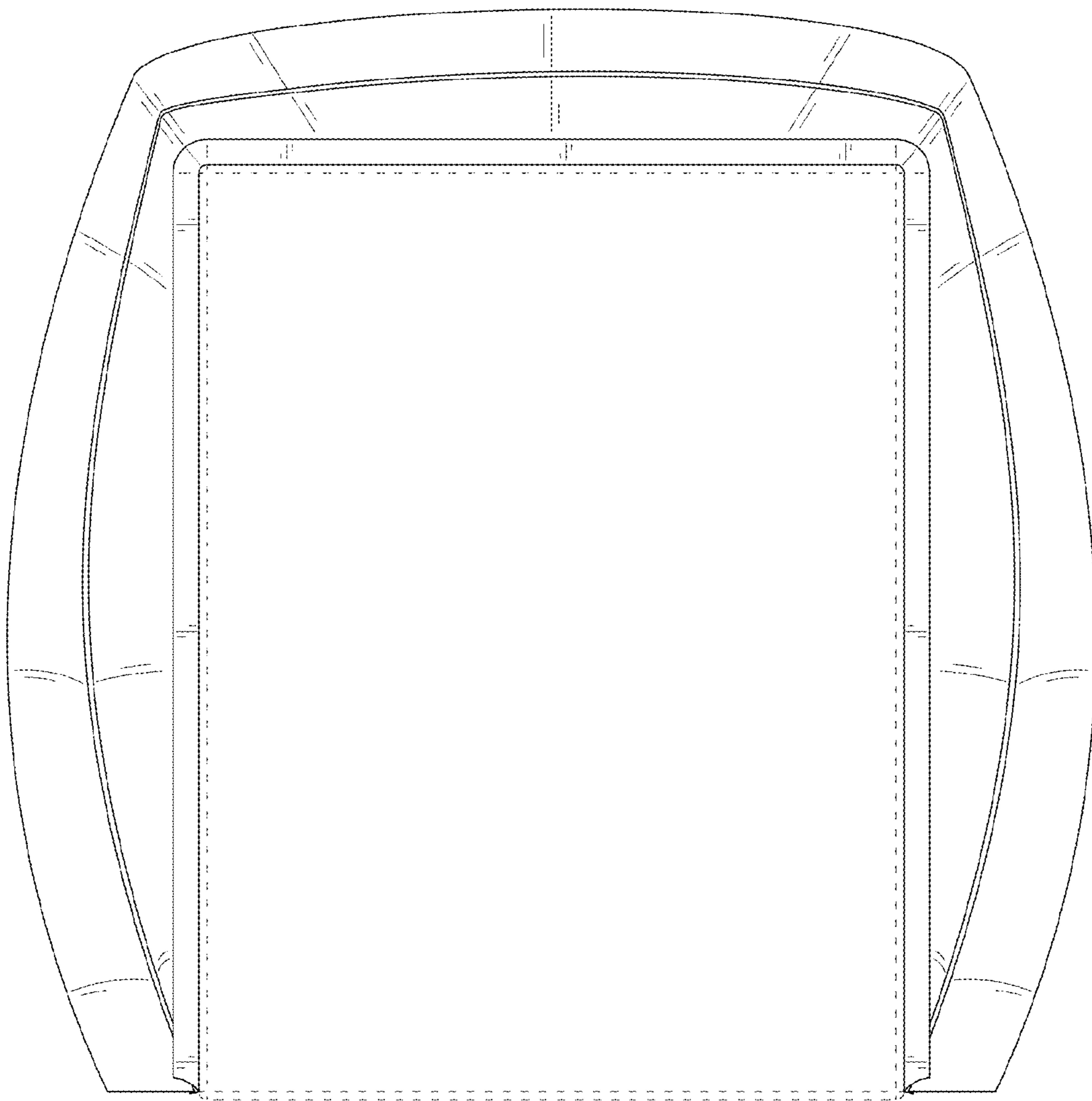


FIG. 7

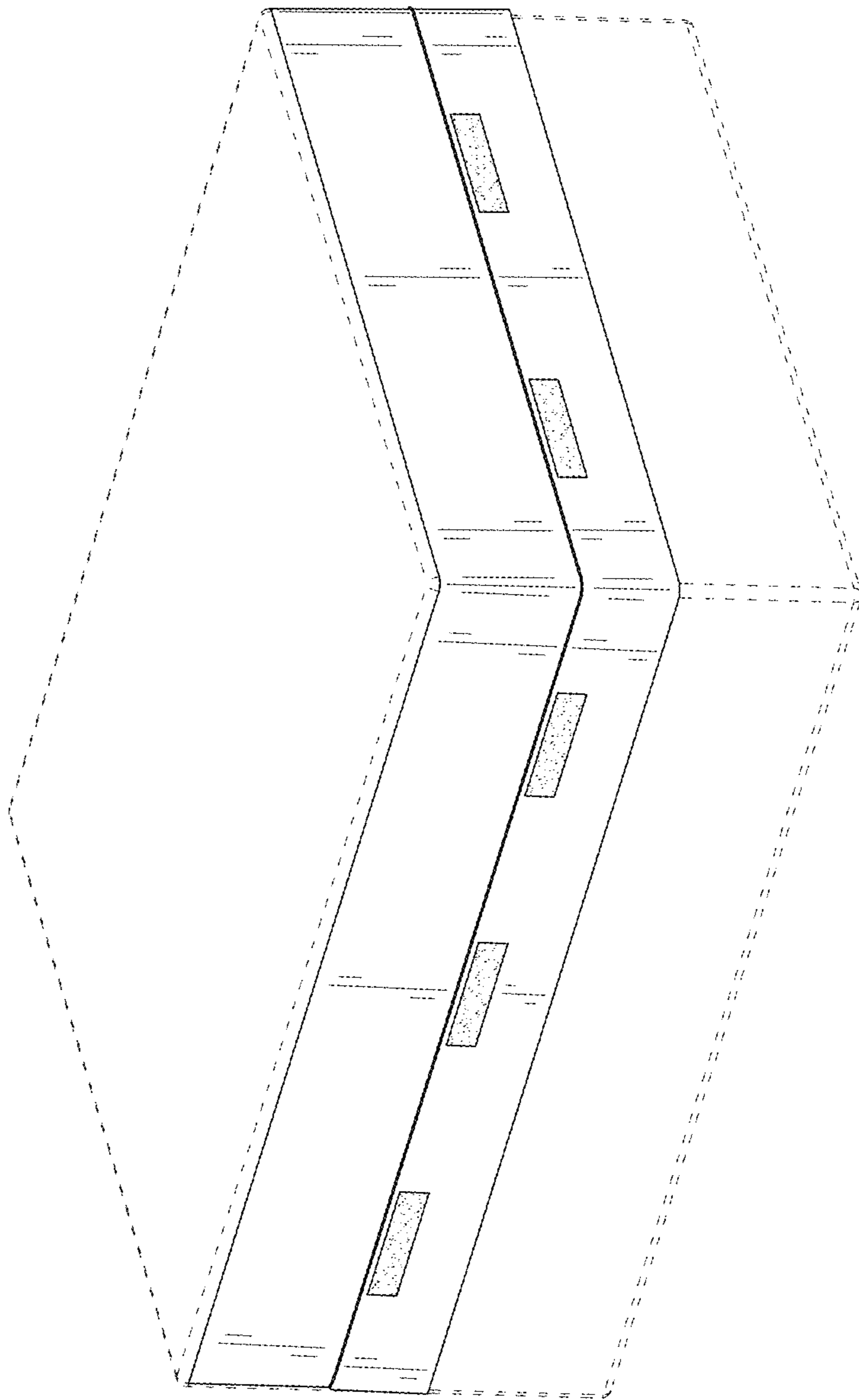


FIG. 8