

US00D964740S

(12) **United States Design Patent** (10) **Patent No.:** **US D964,740 S**
Liu et al. (45) **Date of Patent:** **** Sep. 27, 2022**

(54) **FIREPROOF BAG**
(71) Applicant: **Shenzhen Yihuaxing Technology Co., Ltd., Shenzhen (CN)**

D874,150 S 2/2020 Liu
D899,090 S * 10/2020 Zhang D3/299
D947,679 S * 4/2022 Hughes D9/702
2018/0201412 A1 * 7/2018 Parque B65D 27/005

(72) Inventors: **Yuming Liu, Lianyuan (CN); Xuyang He, Shuangfeng (CN)**

OTHER PUBLICATIONS

Amazon, "Fireproof Document Bag with Lock . . .", First on sale Dec. 13, 2021. (<https://www.amazon.com/dp/B09NJM24Z9/>) (Year: 2021).*

(73) Assignee: **Shenzhen Yihuaxing Technology Co., Ltd.**

* cited by examiner

(**) Term: **15 Years**

Primary Examiner — April Rivas

(21) Appl. No.: **29/790,425**

(74) *Attorney, Agent, or Firm* — Zhihua Han

(22) Filed: **Nov. 26, 2021**

(57) **CLAIM**

(51) **LOC (13) Cl.** **03-01**

The ornamental design for a fireproof bag, as shown and described.

(52) **U.S. Cl.**

DESCRIPTION

USPC **D3/300; D3/301; D3/303**

(58) **Field of Classification Search**

USPC D3/246, 273, 274, 276, 283, 286, 289, D3/290, 299, 300, 301, 902, 303; D19/86

CPC B60R 7/02; A45C 7/0036; B65D 2213/02
See application file for complete search history.

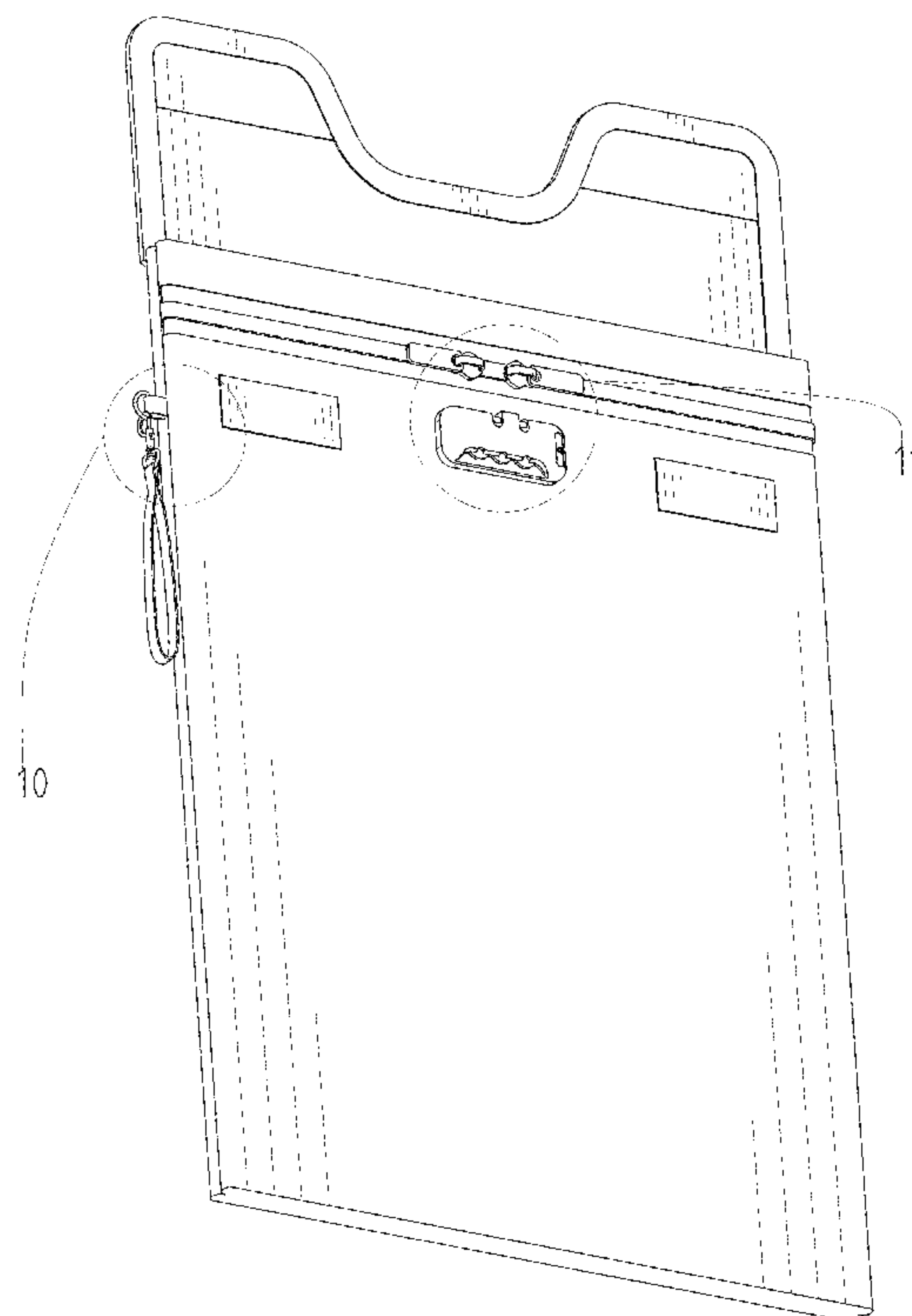
FIG. 1 is a front perspective view of a fireproof bag showing our new design;
FIG. 2 is a rear perspective view thereof;
FIG. 3 is a front view thereof;
FIG. 4 is a back view thereof;
FIG. 5 is a left side view thereof;
FIG. 6 is a right side view thereof;
FIG. 7 is a top view thereof;
FIG. 8 is a bottom view thereof;
FIG. 9 is a front perspective view of the fireproof bag in a closed configuration there;
FIG. 10 is an enlarged view of the selected portion in FIG. 1; and,
FIG. 11 is an enlarged view of the selected portion in FIG. 1.

(56) **References Cited**

U.S. PATENT DOCUMENTS

D503,535 S * 4/2005 Kraft D3/227
D679,499 S * 4/2013 Harris D3/303
D828,032 S * 9/2018 Brundage D3/303
D831,498 S * 10/2018 Zhang D9/702
D865,363 S 11/2019 Liu
D869,846 S * 12/2019 Liu D3/301
D873,565 S * 1/2020 Long D3/290

1 Claim, 11 Drawing Sheets



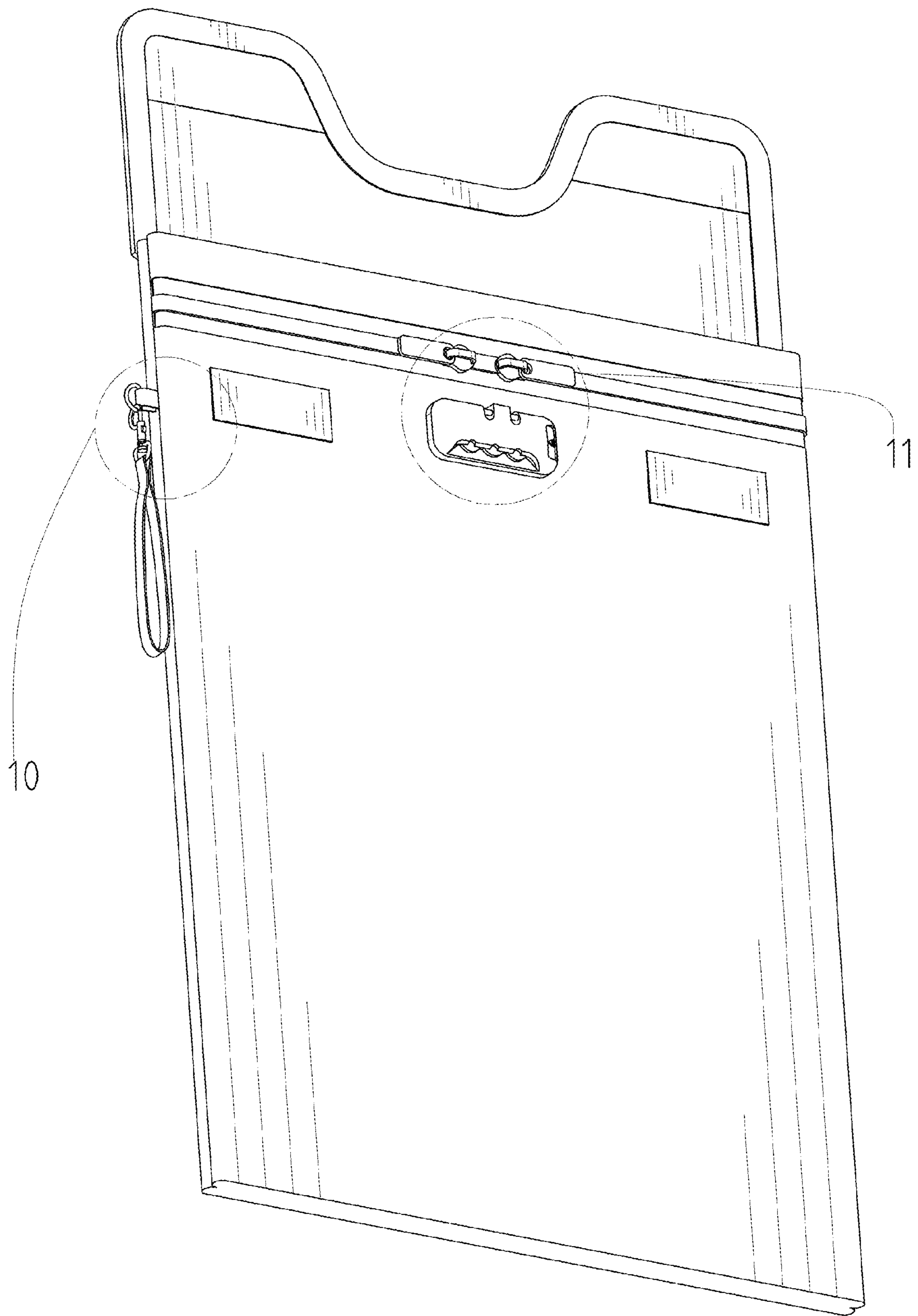


FIG. 1

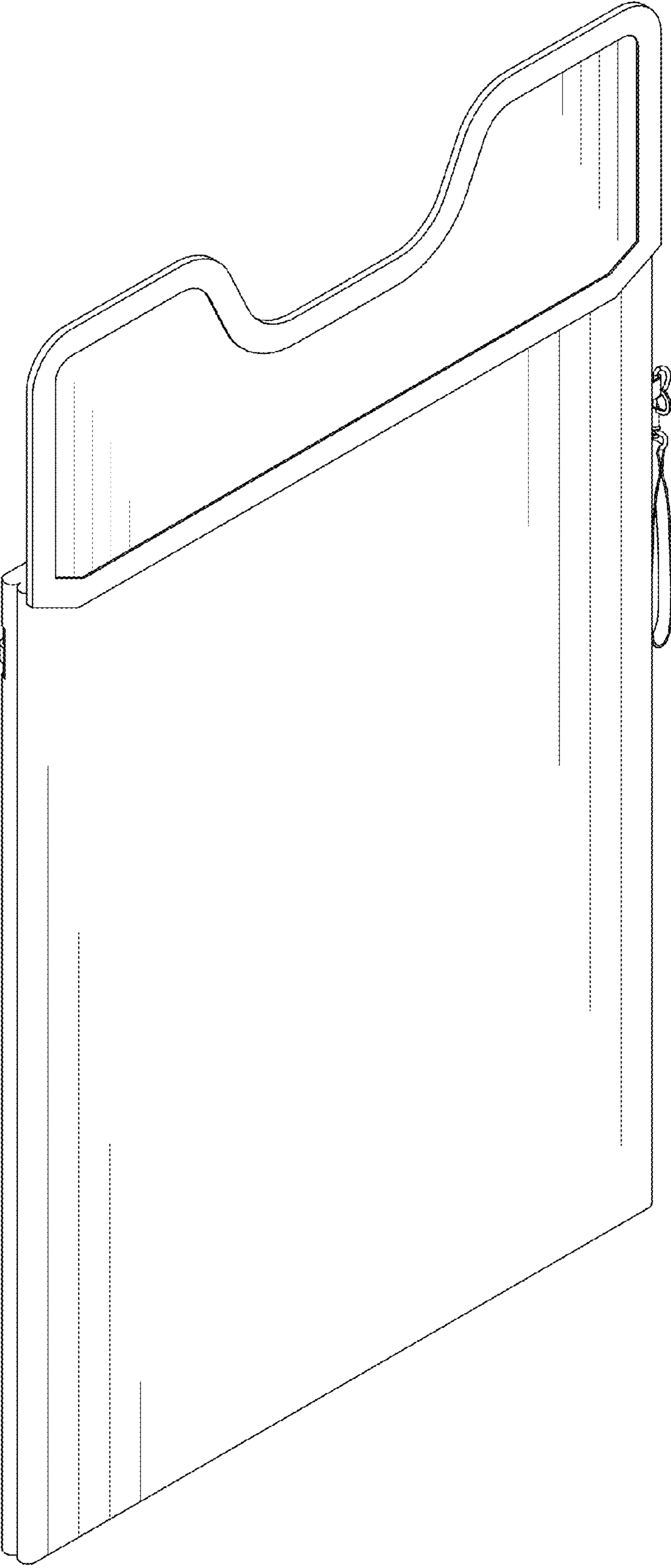


FIG. 2

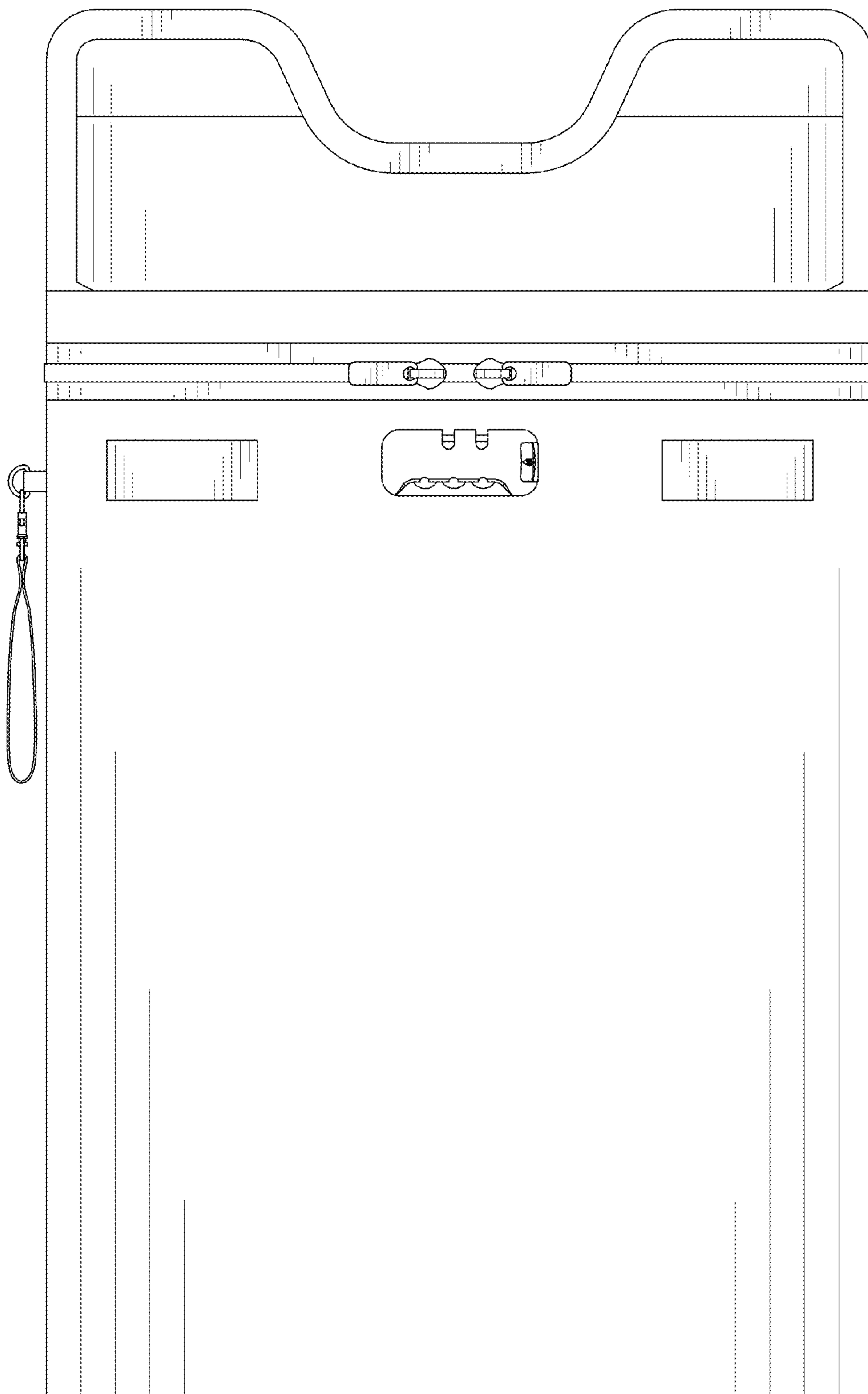


FIG. 3

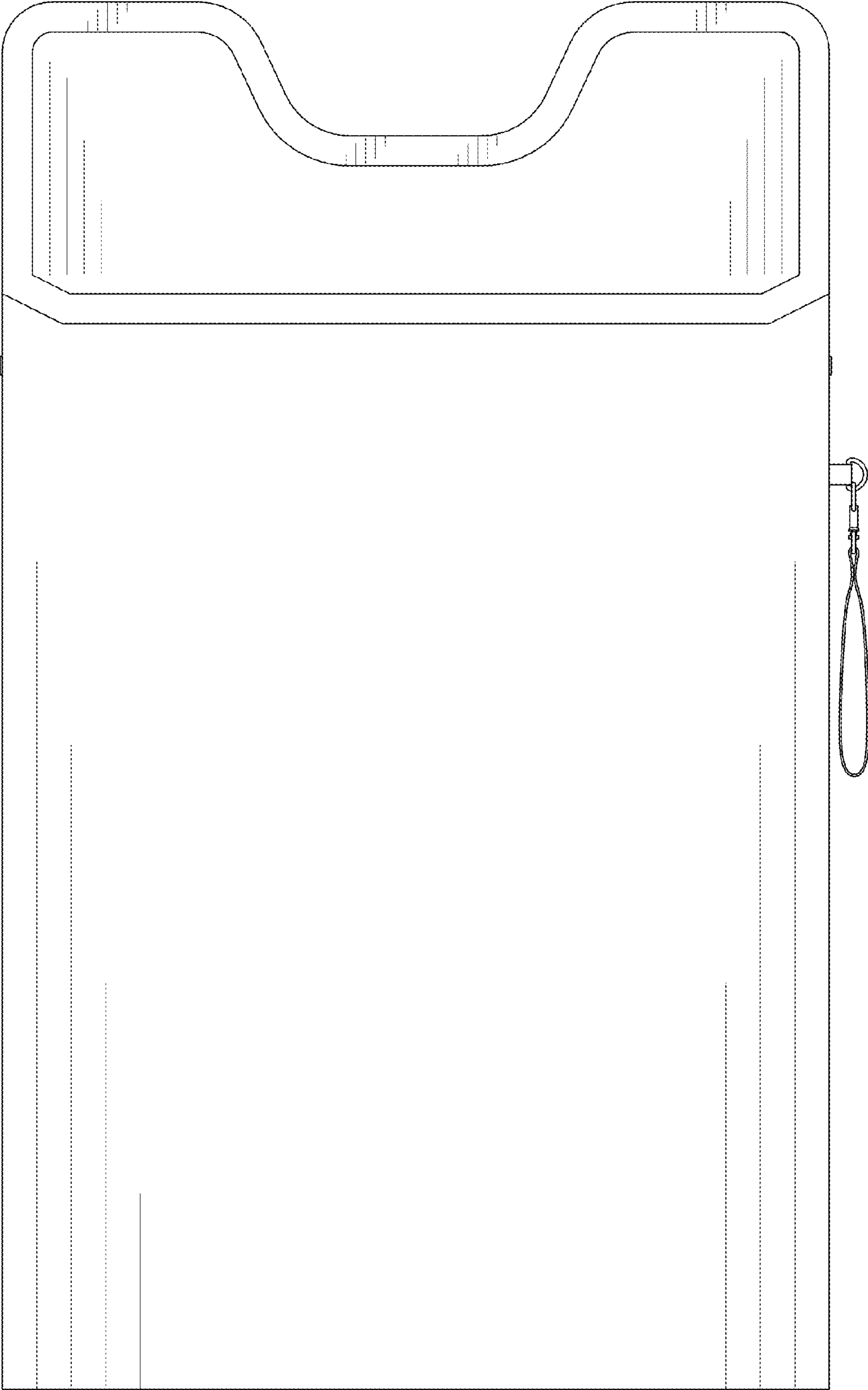


FIG. 4

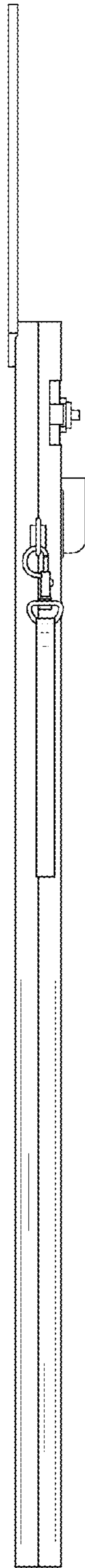


FIG. 5

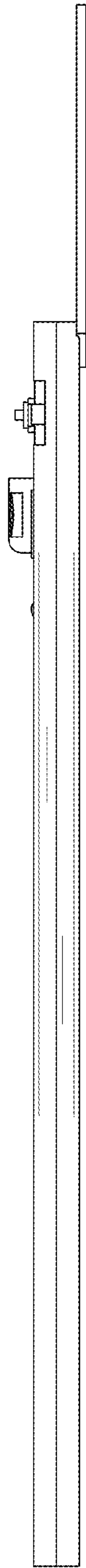


FIG. 6

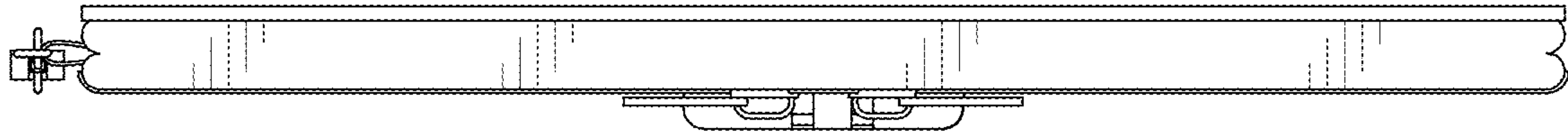


FIG. 7

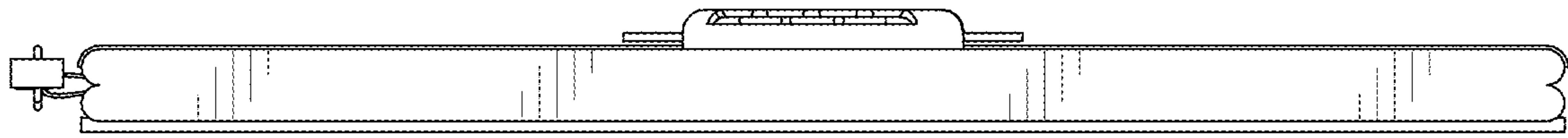


FIG. 8

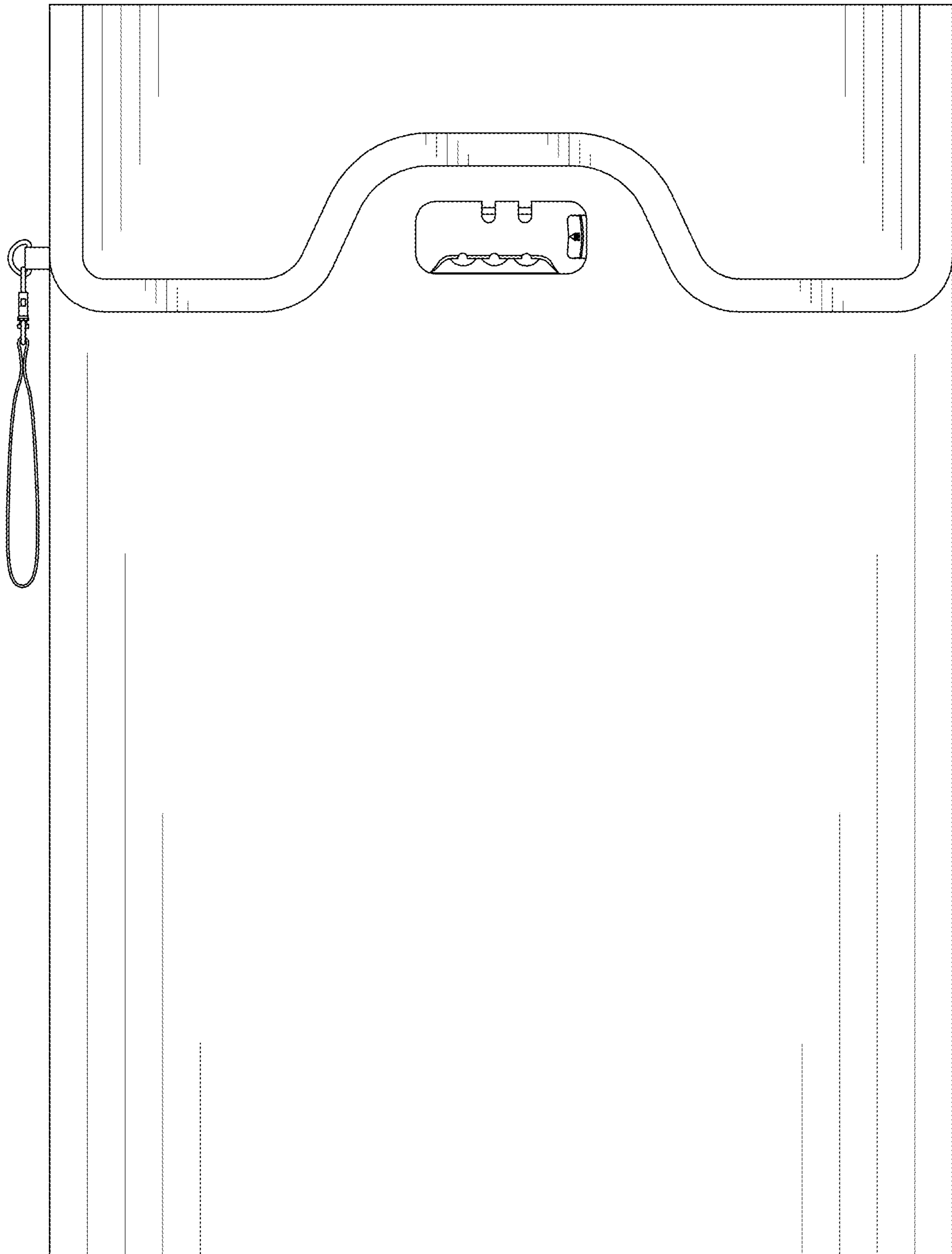


FIG. 9

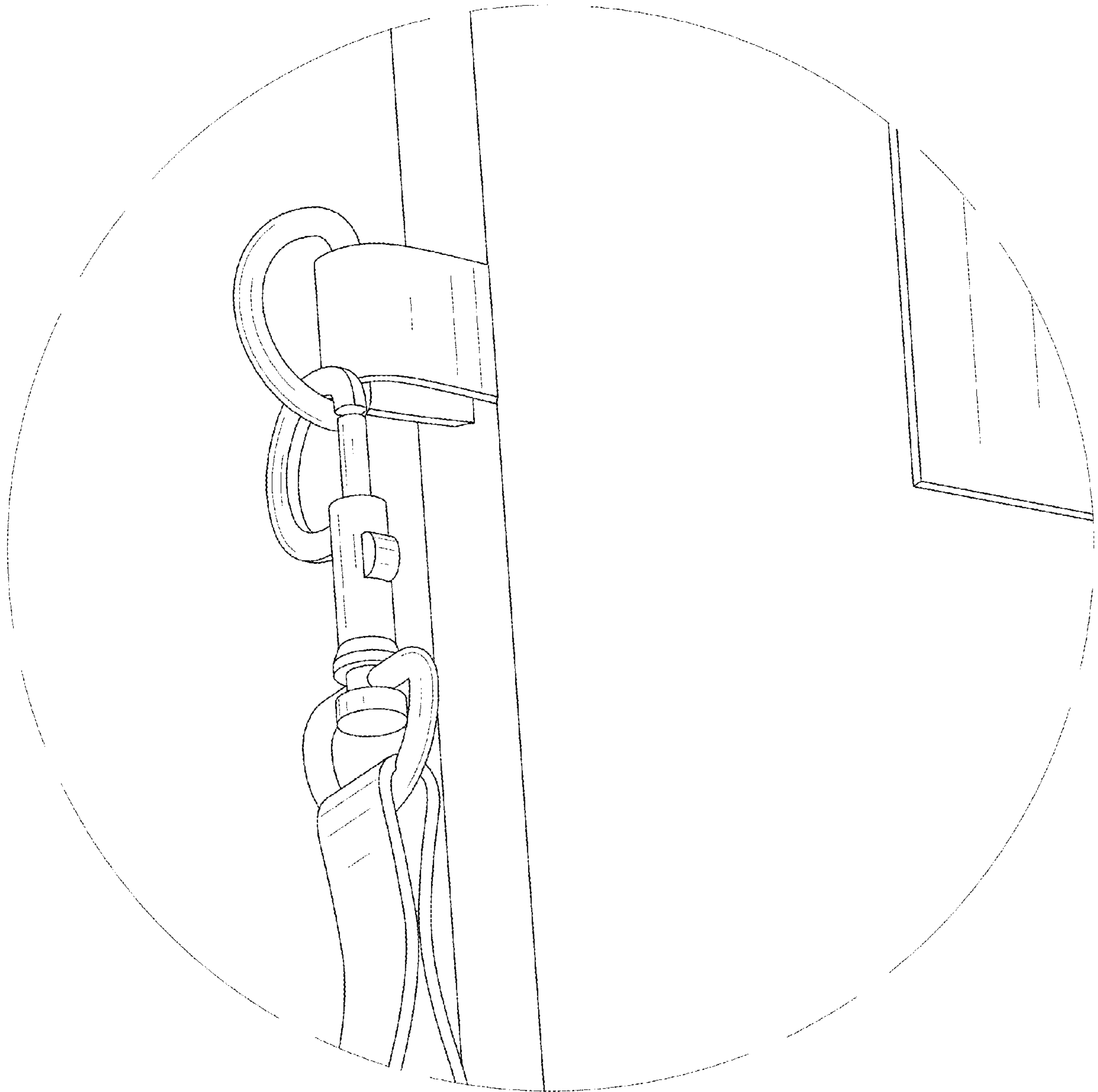


FIG. 10

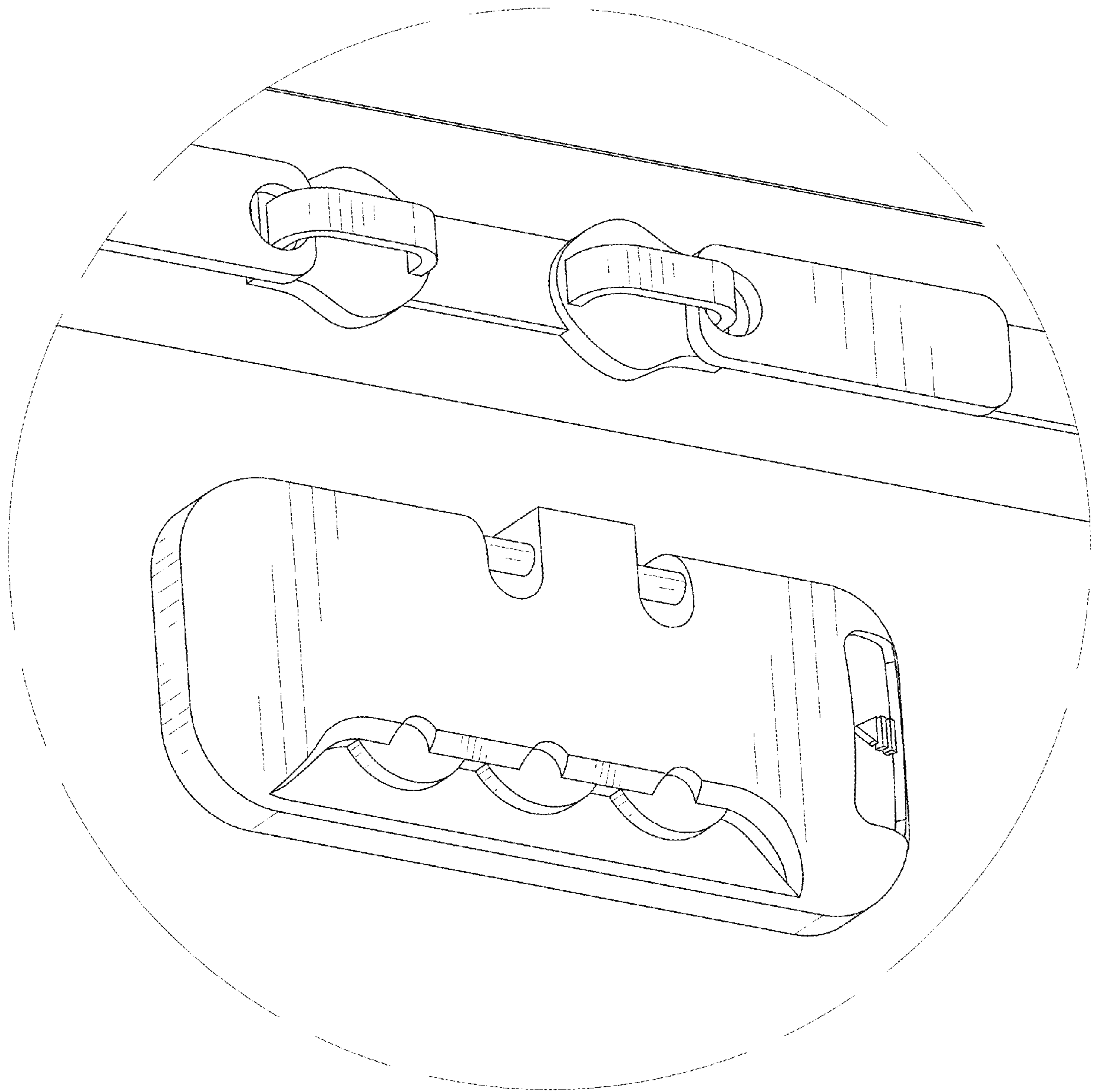


FIG. 11