



US00D964738S

(12) **United States Design Patent** (10) **Patent No.:** **US D964,738 S**
Yang (45) **Date of Patent:** **** Sep. 27, 2022**

(54) **OVAL SHAPED FIREARM BAG**

FOREIGN PATENT DOCUMENTS

(71) Applicant: **Zijiang Yang**, Fontana, CA (US)

CN 301931012 * 11/2011
JP D1399378 * 10/2010

(72) Inventor: **Zijiang Yang**, Fontana, CA (US)

OTHER PUBLICATIONS

(**) Term: **15 Years**

(21) Appl. No.: **29/769,098**

(22) Filed: **Feb. 3, 2021**

(51) **LOC (13) Cl.** **03-01**

(52) **U.S. Cl.**
USPC **D3/262; D3/256**

(58) **Field of Classification Search**
USPC D3/254, 256, 262, 269, 221–225, 273,
D3/276, 283–289, 300–301, 904
CPC F41C 33/02–08
See application file for complete search history.

Savior Equipment Pro Touring—30 Inch Tactical Tennis Bag, first available Mar. 18, 2022, amazon.com [online], [site visited Jul. 12, 22], Available at URL: <https://www.amazon.com/Savior-Equipment-Semi-Hard-Customizable-Organizer/dp/B09VY9JRFS?th=1&psc=1> (Year: 2022).*
Alpha Tennis Bag, unknown first available date, tumi.com [online], [site visited Jul. 12, 2022], Available at URL: <https://www.tumi.com/p/tennis-bag-01385521041/> (Year: 2022).*

* cited by examiner

Primary Examiner — Jeffrey D Asch
Assistant Examiner — Caitlin A Laverty

(56) **References Cited**

U.S. PATENT DOCUMENTS

| | | | | | |
|-----------------|---|---------|-------------|-------|-------------------------|
| D261,572 S | * | 11/1981 | Pelavin | | D3/289 |
| D434,900 S | * | 12/2000 | Spence, Jr. | | D3/276 |
| D482,519 S | * | 11/2003 | Izen | | D3/204 |
| D482,520 S | * | 11/2003 | Izen | | D3/273 |
| D489,527 S | * | 5/2004 | Izen | | D3/273 |
| D520,735 S | * | 5/2006 | Izen | | D3/204 |
| D572,477 S | * | 7/2008 | Young | | D3/289 |
| D648,937 S | * | 11/2011 | Ryan | | D3/256 |
| D653,852 S | * | 2/2012 | Ryan | | D3/256 |
| D653,853 S | * | 2/2012 | Ryan | | D3/256 |
| D682,548 S | * | 5/2013 | Du | | D3/256 |
| D694,520 S | * | 12/2013 | Khazal | | D3/256 |
| D796,192 S | * | 9/2017 | Pactanac | | D3/254 |
| D796,193 S | * | 9/2017 | Pactanac | | D3/254 |
| D799,210 S | * | 10/2017 | Pactanac | | D3/254 |
| D890,519 S | * | 7/2020 | Collins | | D3/904 |
| D925,445 S | * | 7/2021 | Bennett | | D3/301 |
| 2002/0148741 A1 | * | 10/2002 | Stobbs | | A63B 71/0045 206/112 |

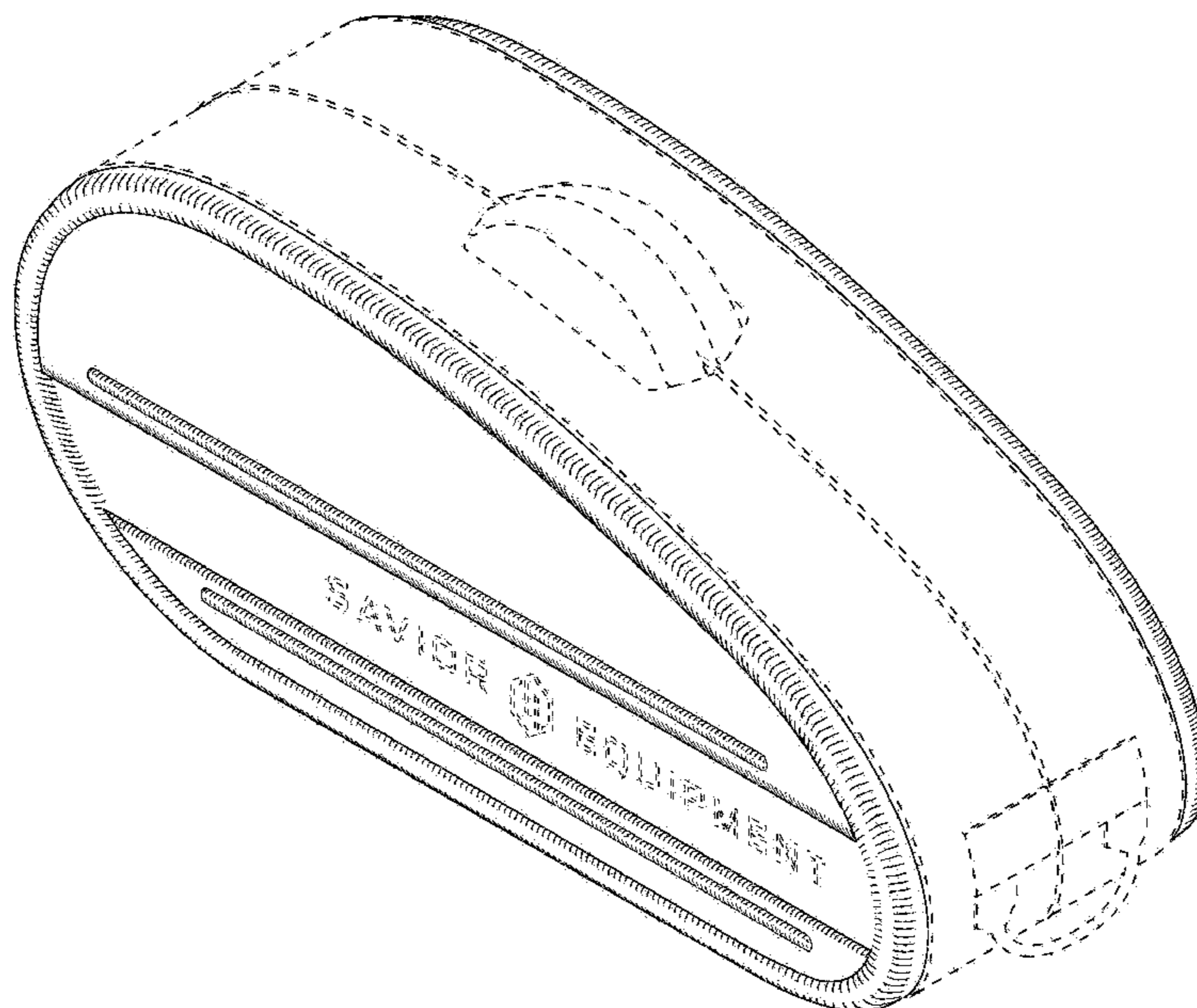
(57) **CLAIM**

I claim the ornamental design for an oval shaped firearm bag, as shown and described.

DESCRIPTION

FIG. 1 is an isometric view of an oval shaped firearm bag showing my new design.
FIG. 2 is a front elevation view thereof.
FIG. 3 is a rear elevation view thereof.
FIG. 4 is a left side elevation view thereof.
FIG. 5 is a right side elevation view thereof.
FIG. 6 is a top plan view thereof; and,
FIG. 7 is a bottom plan view thereof.
The broken lines are for environmental purposes only and form no part of the claimed design. The design shown is not to be limited to any particular size and may be scaled larger or smaller.

1 Claim, 6 Drawing Sheets



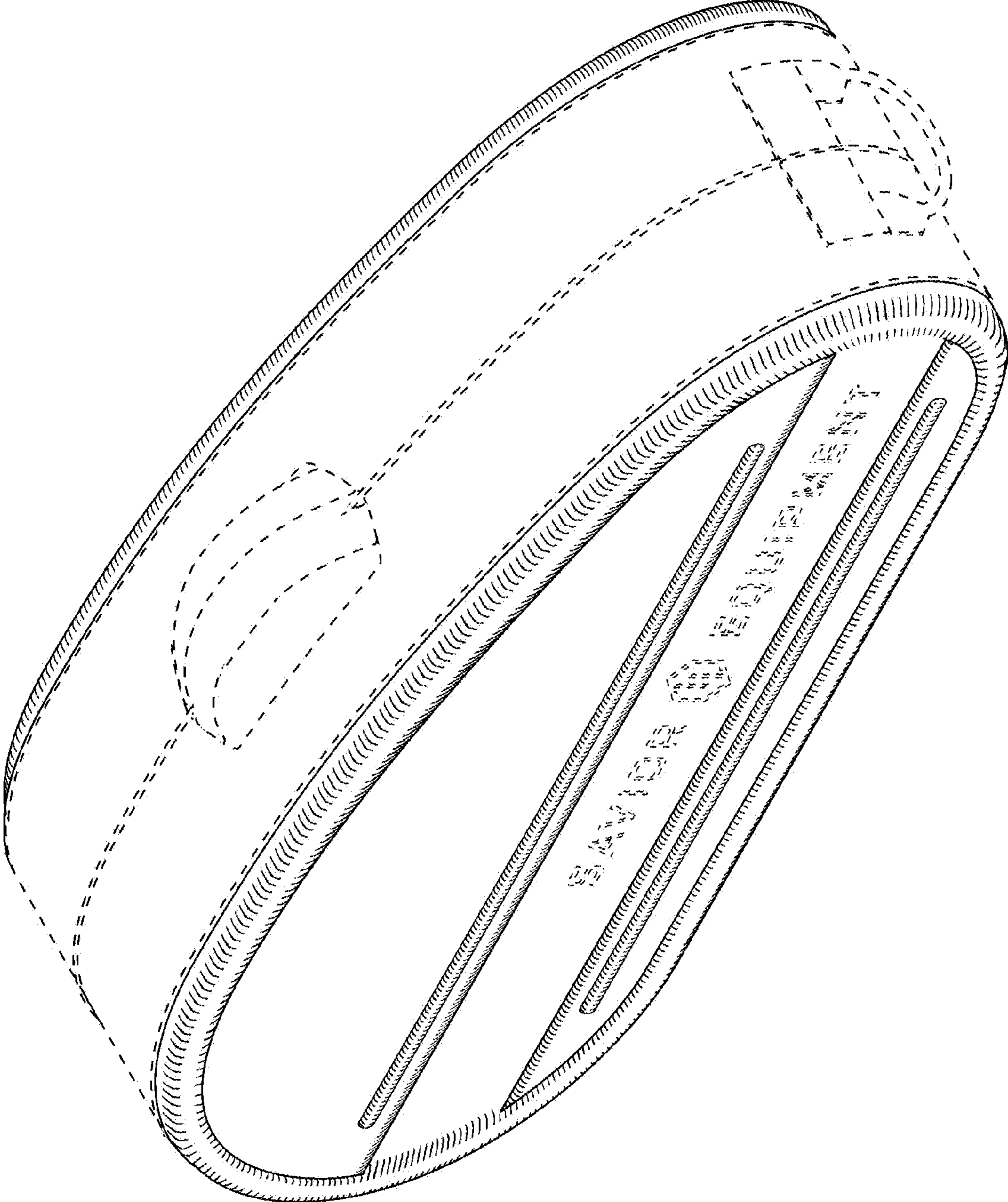


Fig. 1

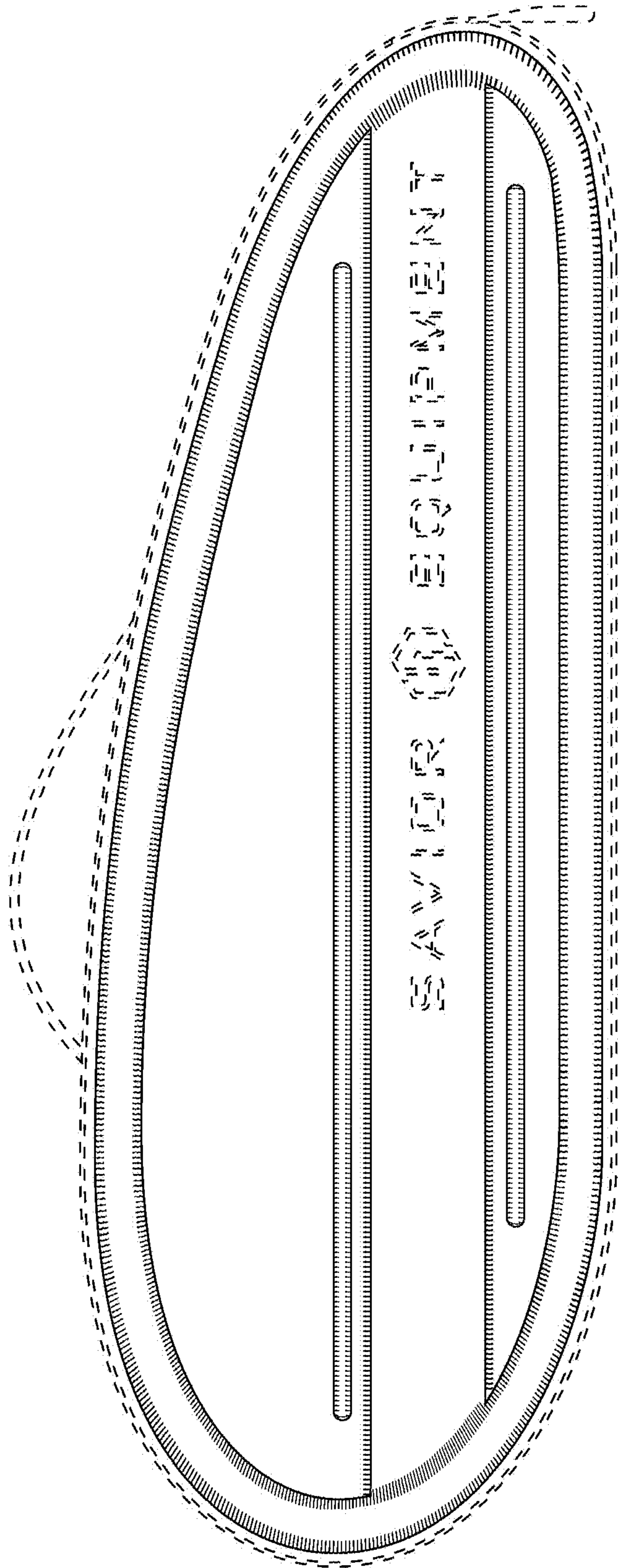


Fig. 2

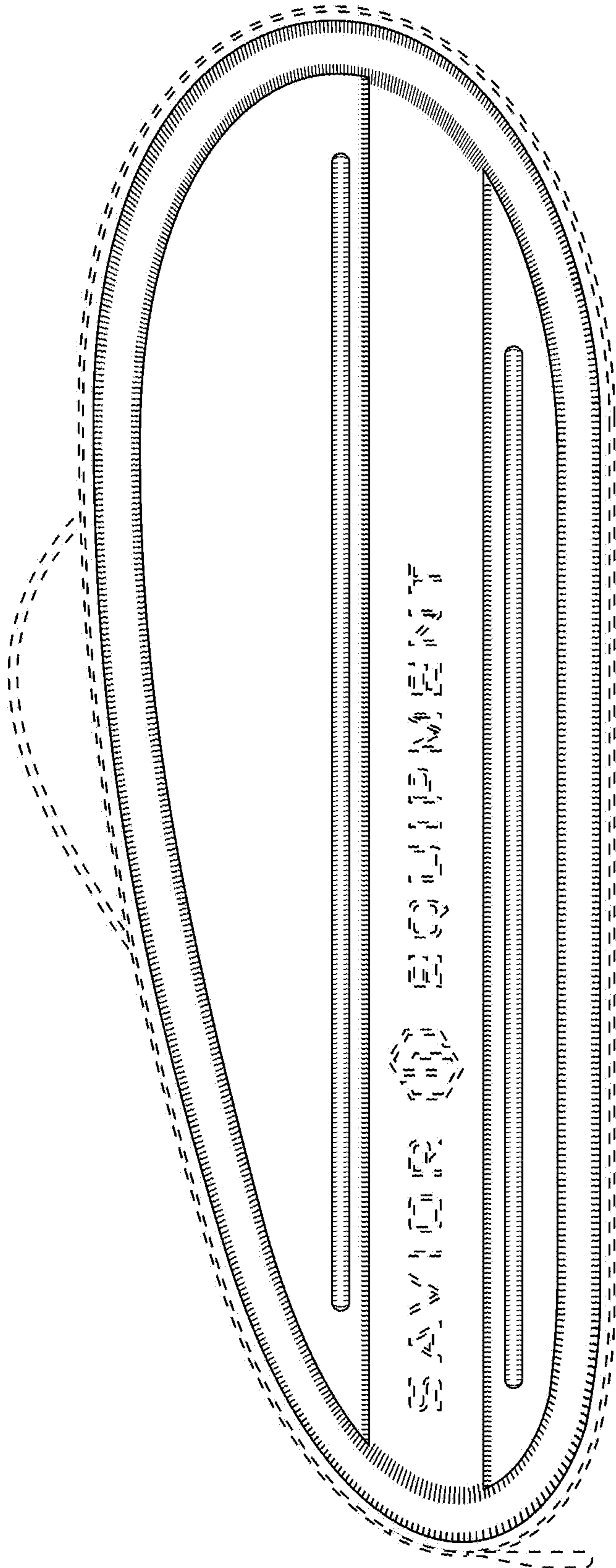


Fig. 3

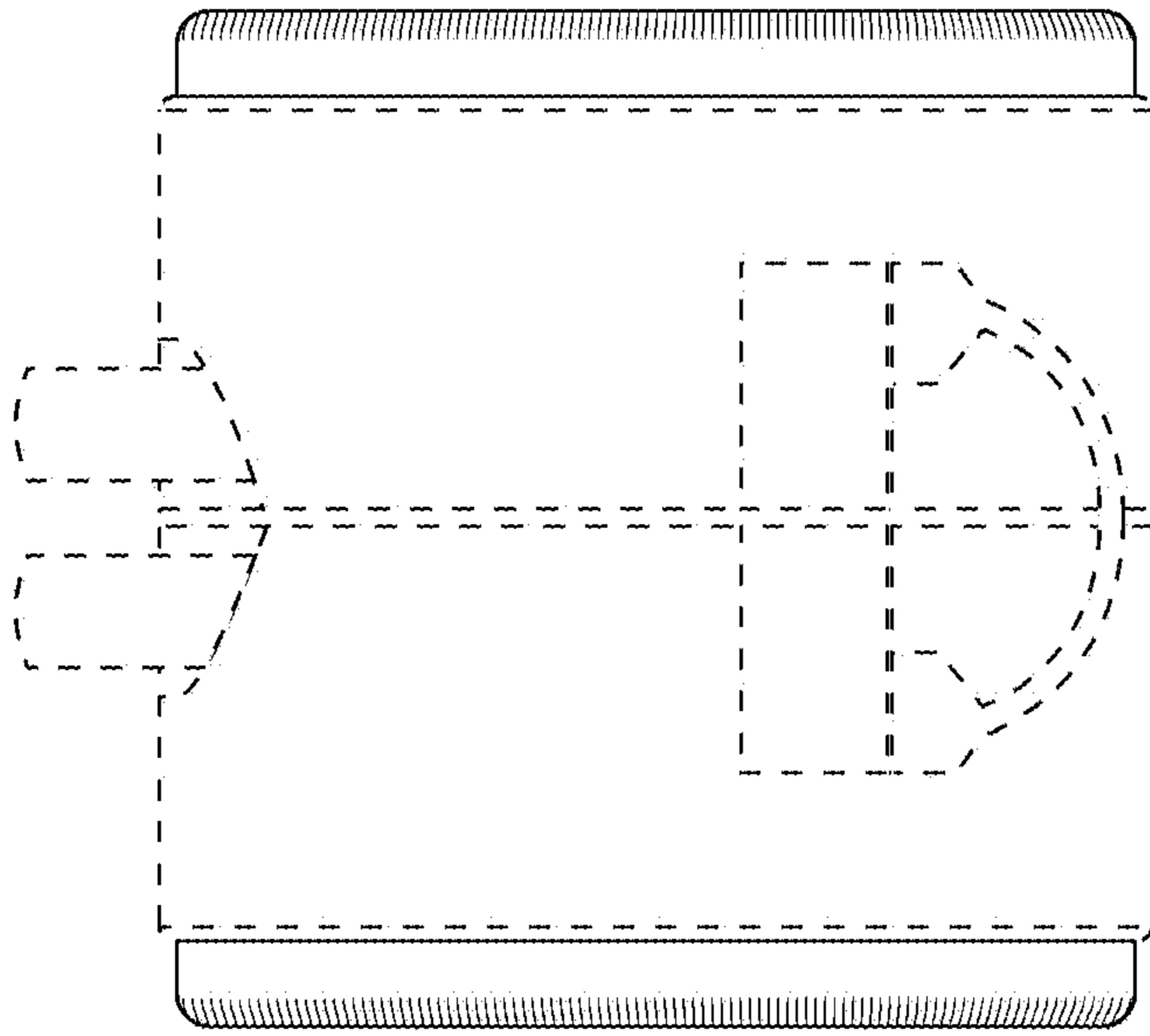


Fig. 5

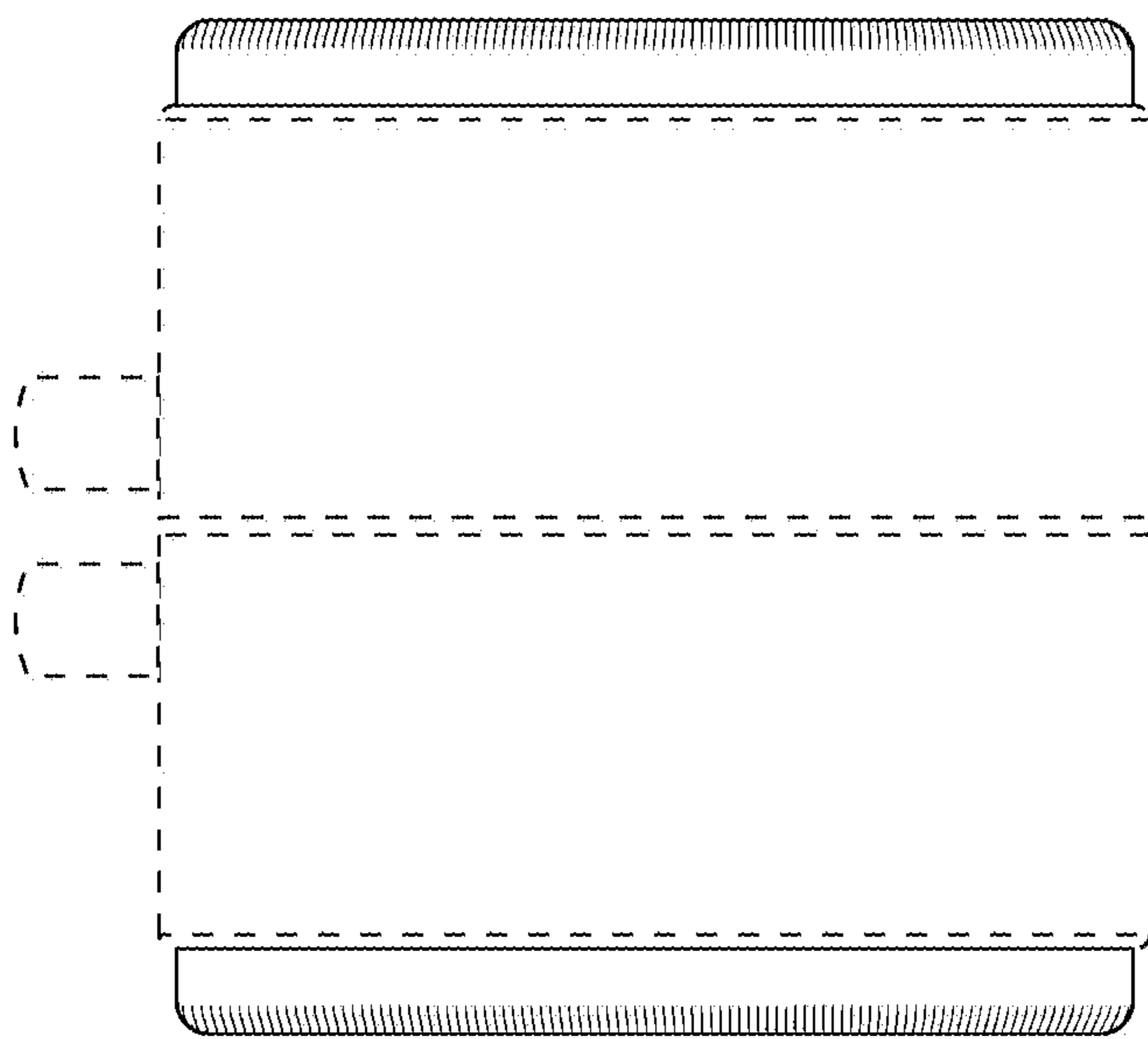


Fig. 4

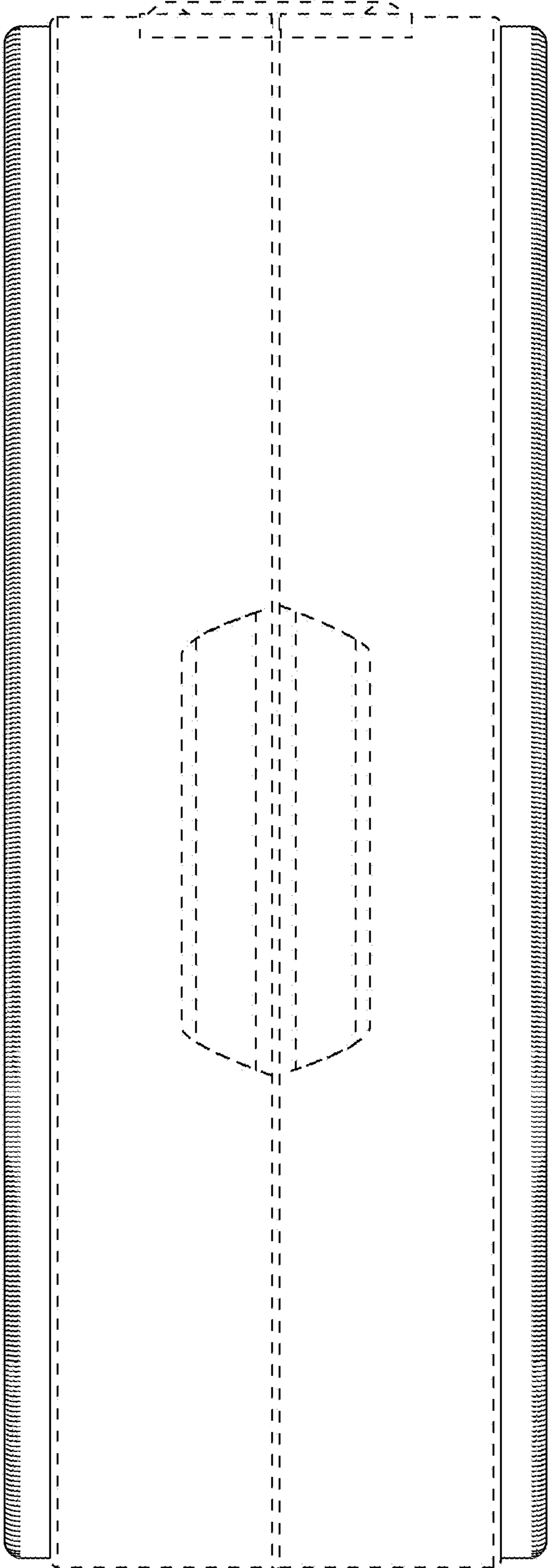


Fig. 6

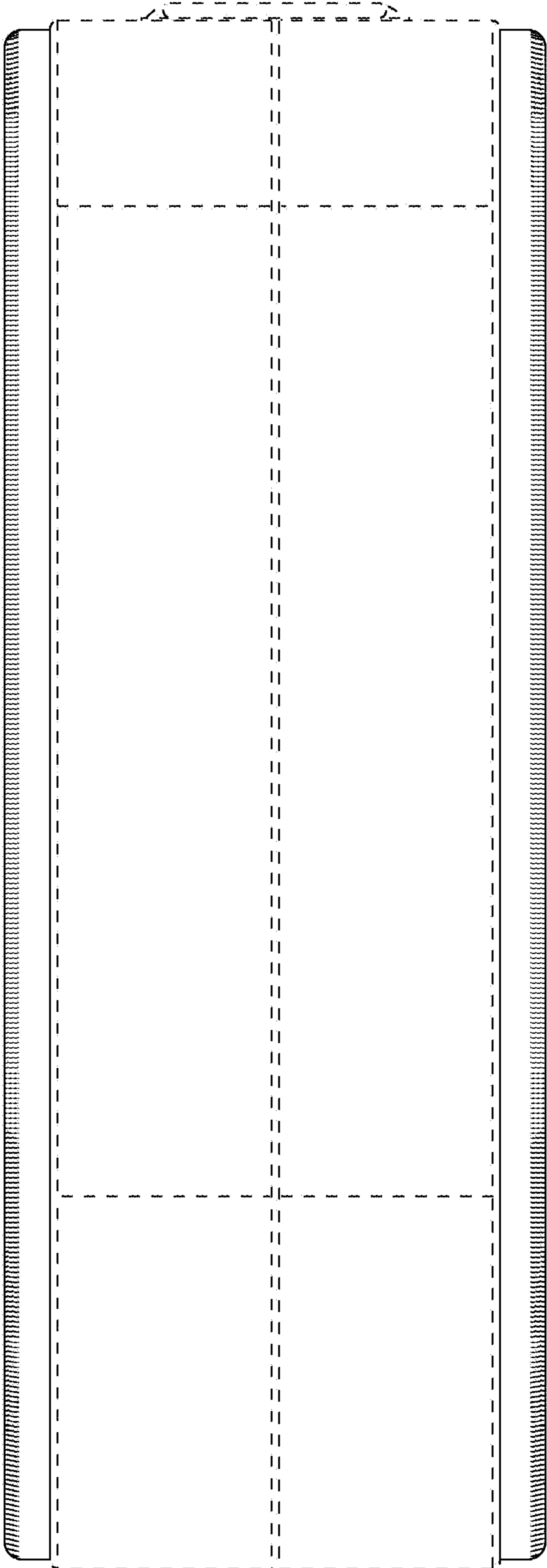


Fig. 7