



US00D964736S

(12) **United States Design Patent** (10) **Patent No.:** **US D964,736 S**
Yang (45) **Date of Patent:** **** Sep. 27, 2022**

(54) **OVAL SHAPED FIREARM BAG**

FOREIGN PATENT DOCUMENTS

(71) Applicant: **Zijiang Yang**, Fontana, CA (US)

JP D1399378 * 10/2010

(72) Inventor: **Zijiang Yang**, Fontana, CA (US)

OTHER PUBLICATIONS

(**) Term: **15 Years**

(21) Appl. No.: **29/769,093**

(22) Filed: **Feb. 3, 2021**

(51) **LOC (13) Cl.** **03-01**

(52) **U.S. Cl.**
USPC **D3/262; D3/301**

(58) **Field of Classification Search**
USPC D3/254, 256, 262, 269, 221–225, 273,
D3/276, 283–289, 300–301, 904
CPC F41C 33/02–08
See application file for complete search history.

Savior Equipment Pro Touring—30 Inch Tactical Tennis Bag, first available Mar. 18, 2022, amazon.com [online], [site visited Jul. 12, 2022], Available at URL: <https://www.amazon.com/Savior-Equipment-Semi-Hard-Customizable-Organizer/dp/B09VYDPWQM?th=1&psc=1> (Year: 2022).*
Alpha Tennis Bag, unknown first available date, tumi.com [online], [site visited Jul. 12, 2022], Available at URL: <https://www.tumi.com/p/tennis-bag-01385521041/> (Year: 2022).*

* cited by examiner

Primary Examiner — Jeffrey D Asch
Assistant Examiner — Caitlin A Laverty

(56) **References Cited**

(57) **CLAIM**

U.S. PATENT DOCUMENTS

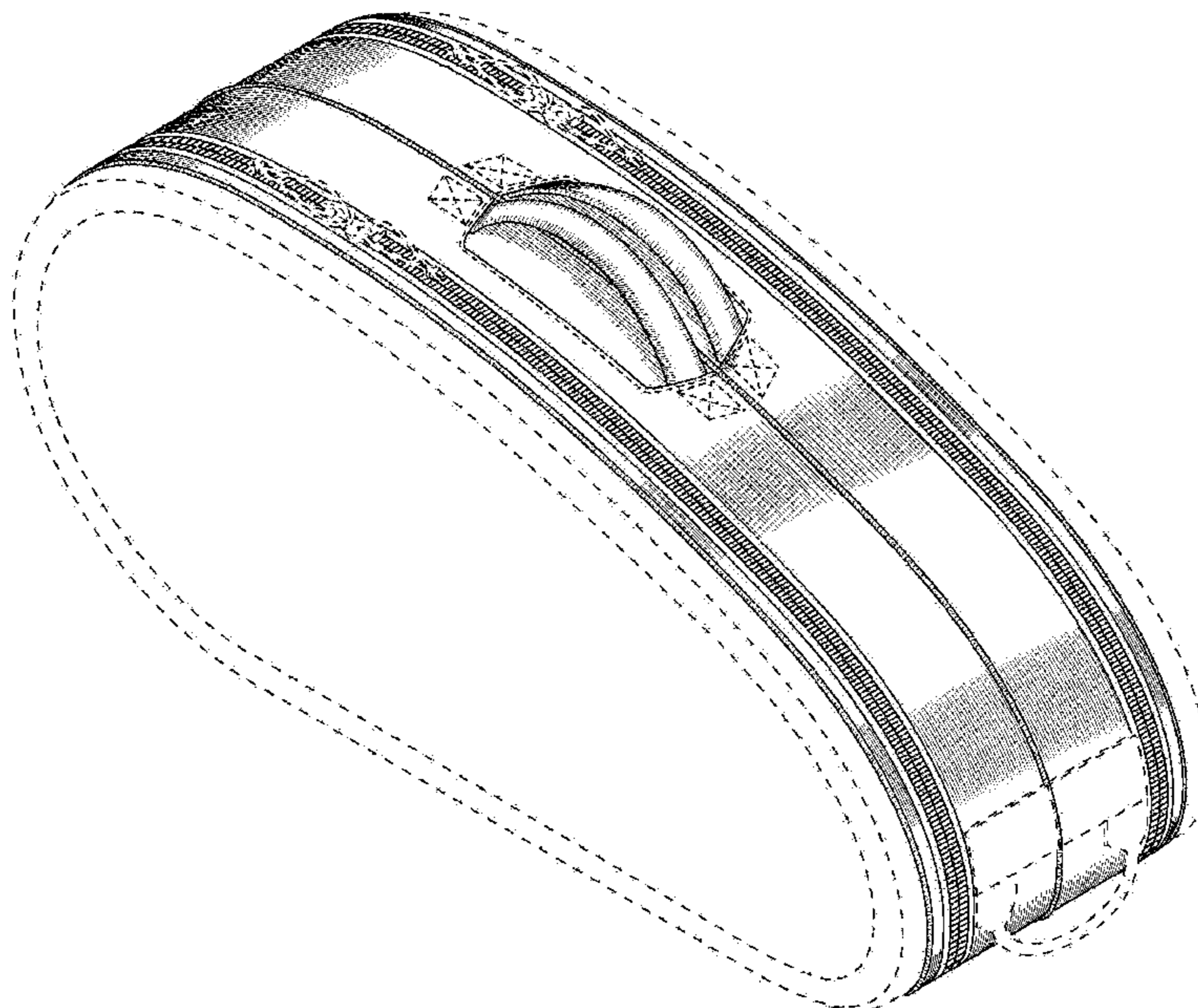
I claim the ornamental design for an oval shaped firearm bag, as shown and described.

D261,572 S *	11/1981	Pelavin	D3/289
D434,900 S *	12/2000	Spence, Jr.	D3/276
D482,519 S *	11/2003	Izen	D3/204
D482,520 S *	11/2003	Izen	D3/273
D489,527 S *	5/2004	Izen	D3/273
D520,735 S *	5/2006	Izen	D3/204
D572,477 S *	7/2008	Young	D3/289
D648,937 S *	11/2011	Ryan	D3/256
D653,852 S *	2/2012	Ryan	D3/256
D653,853 S *	2/2012	Ryan	D3/256
D682,548 S *	5/2013	Du	D3/256
D694,520 S *	12/2013	Khazal	D3/256
D796,192 S *	9/2017	Pactanac	D3/254
D796,193 S *	9/2017	Pactanac	D3/254
D799,210 S *	10/2017	Pactanac	D3/254
D890,519 S *	7/2020	Collins	D3/904
D925,445 S *	7/2021	Bennett	D3/301
2002/0148741 A1 *	10/2002	Stobbs	A63B 71/0045 206/112

DESCRIPTION

FIG. 1 is an isometric view of an oval shaped firearm bag showing my new design.
FIG. 2 is a front elevation view thereof, with the opposite side being a mirror of that shown.
FIG. 3 is a left side elevation view thereof.
FIG. 4 is a right side elevation view thereof.
FIG. 5 is a top plan view thereof; and,
FIG. 6 is a bottom plan view thereof.
The broken lines in the drawing that show environment of the oval shaped firearm bag form no part of the claimed design. The broken lines showing stitching do not form part of the claimed design.

1 Claim, 5 Drawing Sheets



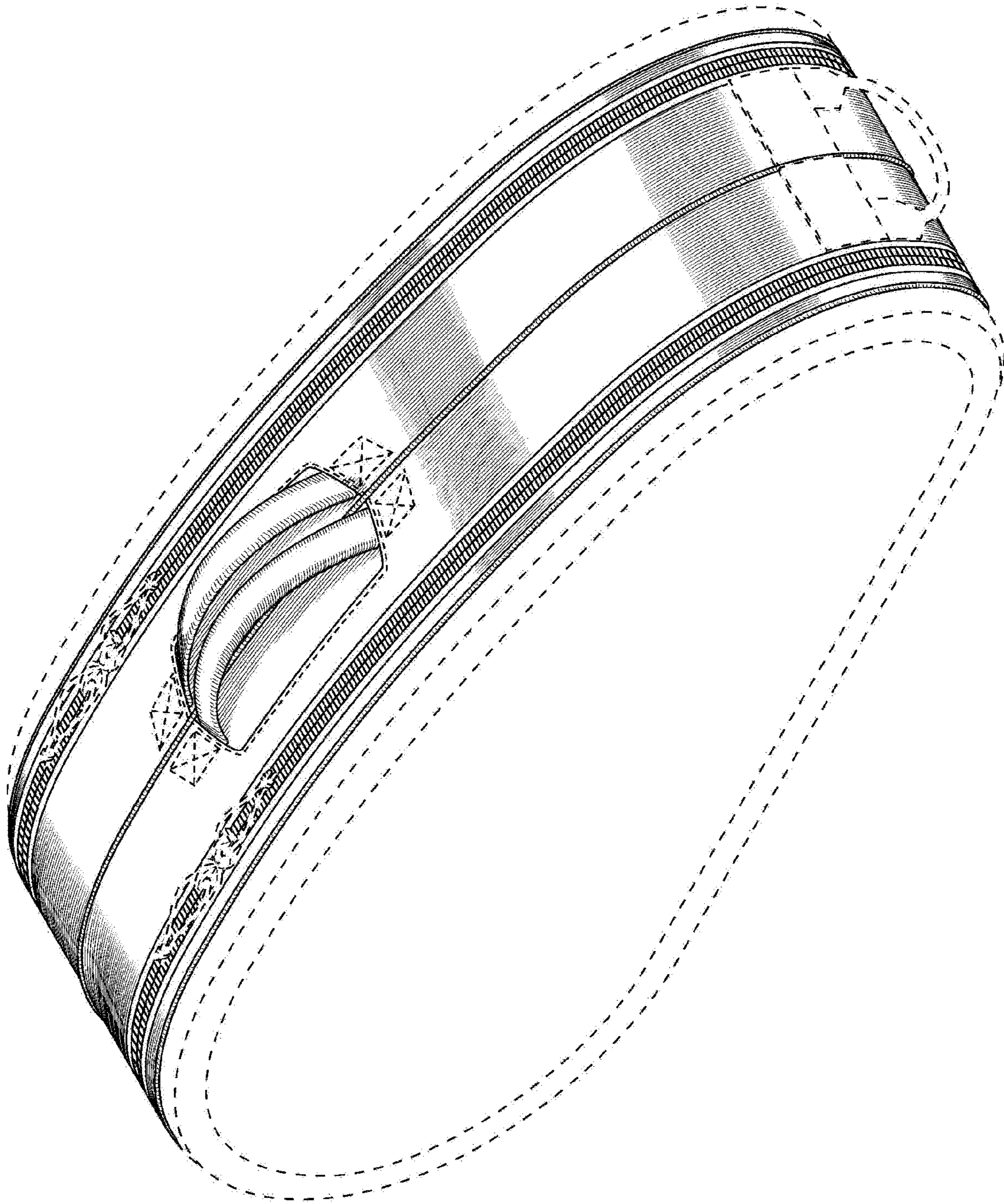


Fig. 1

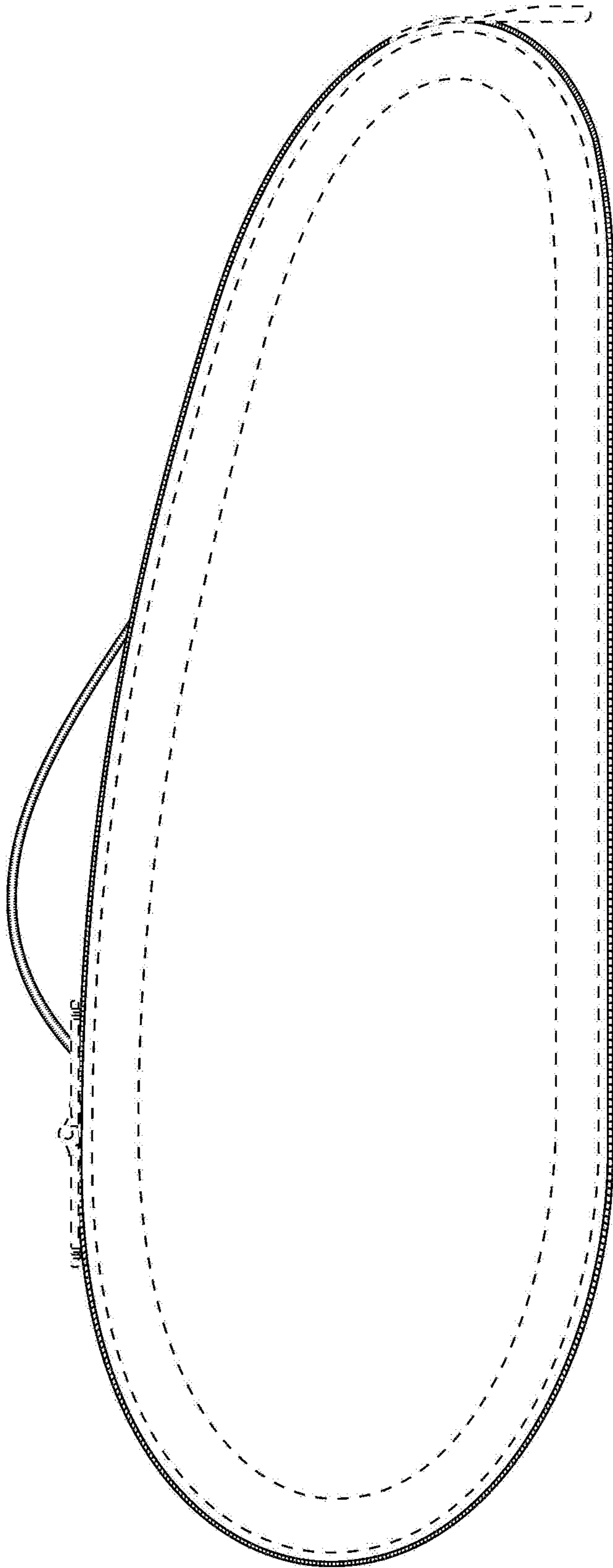


Fig. 2

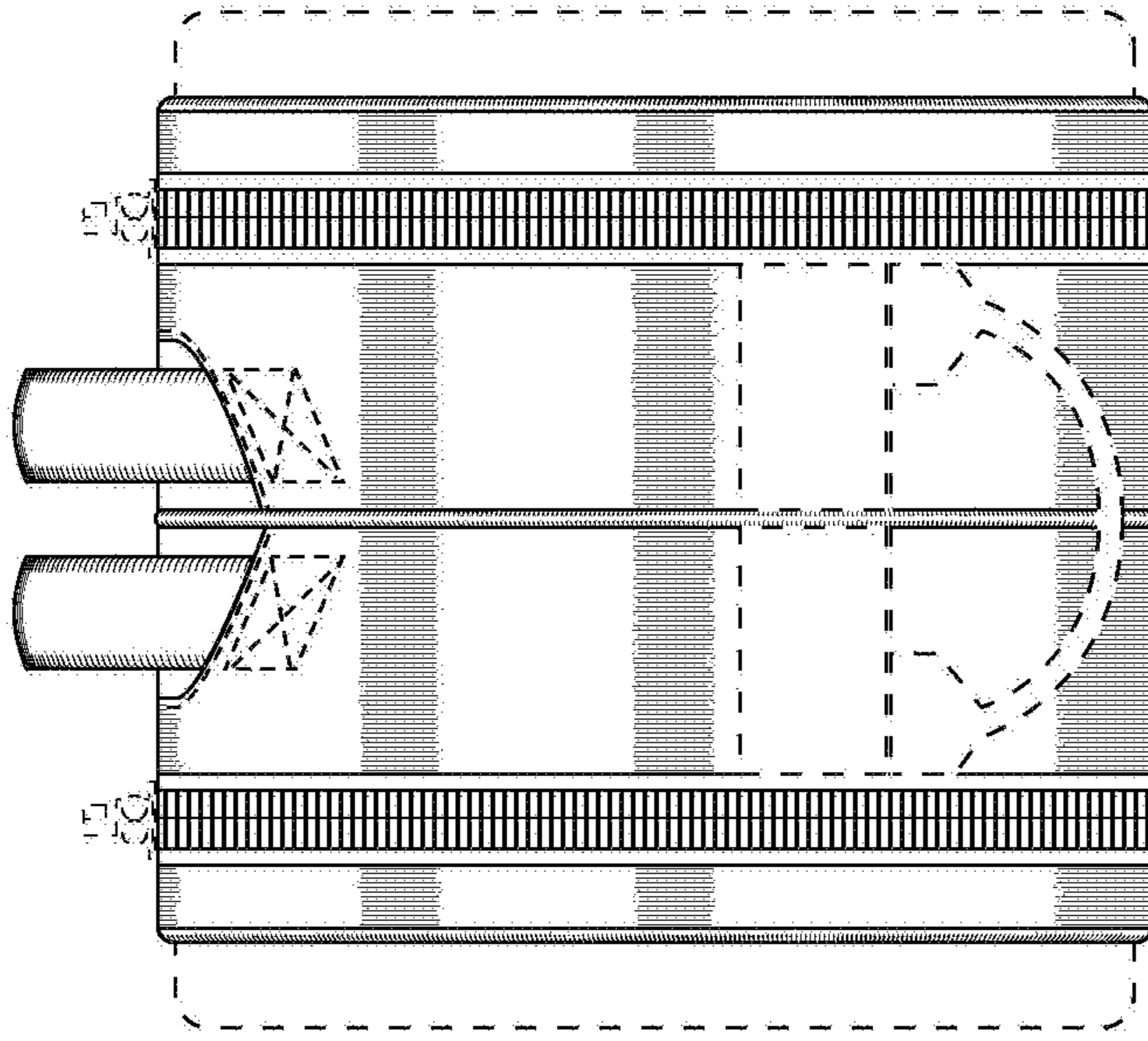


Fig. 3

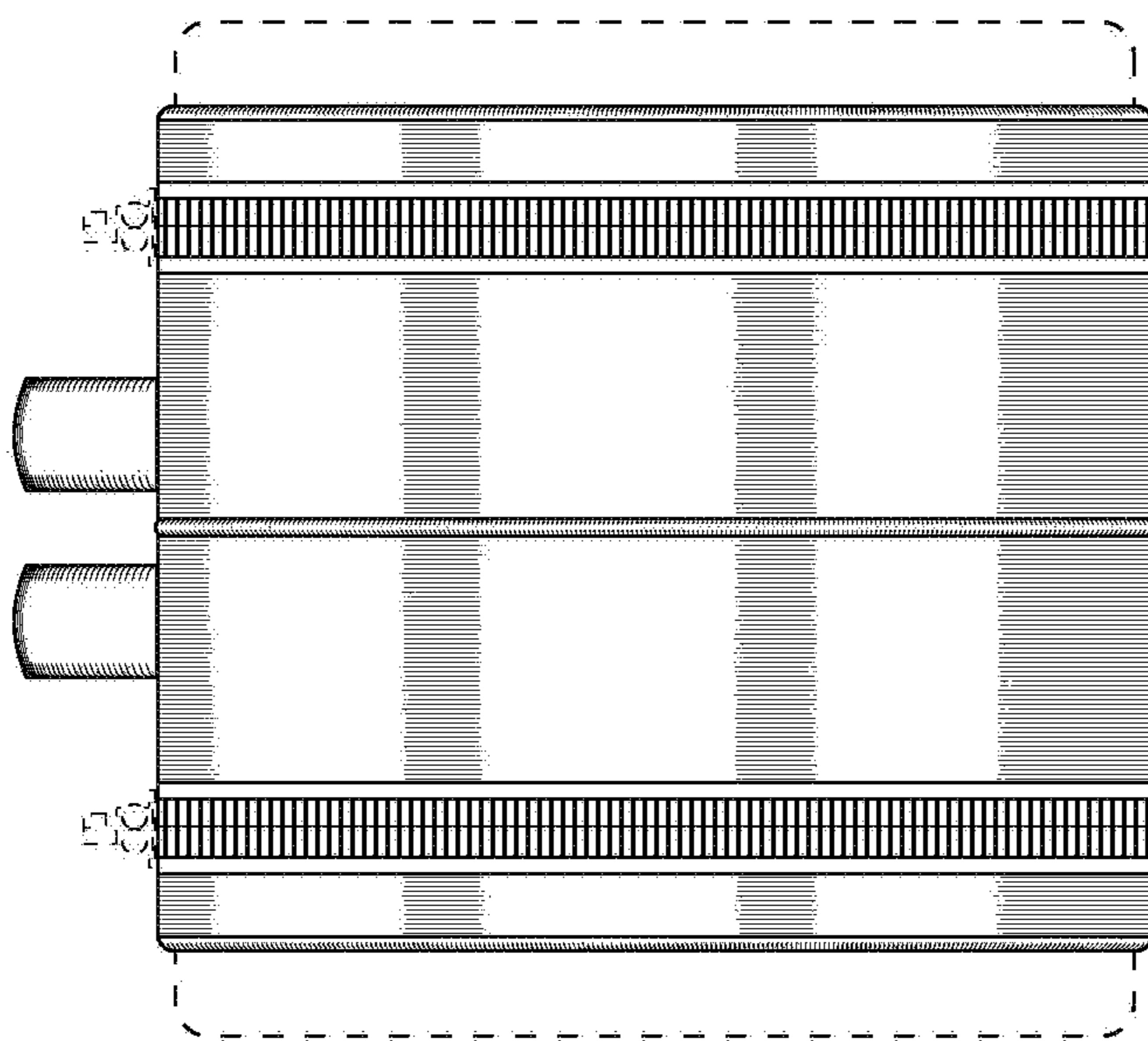


Fig. 4

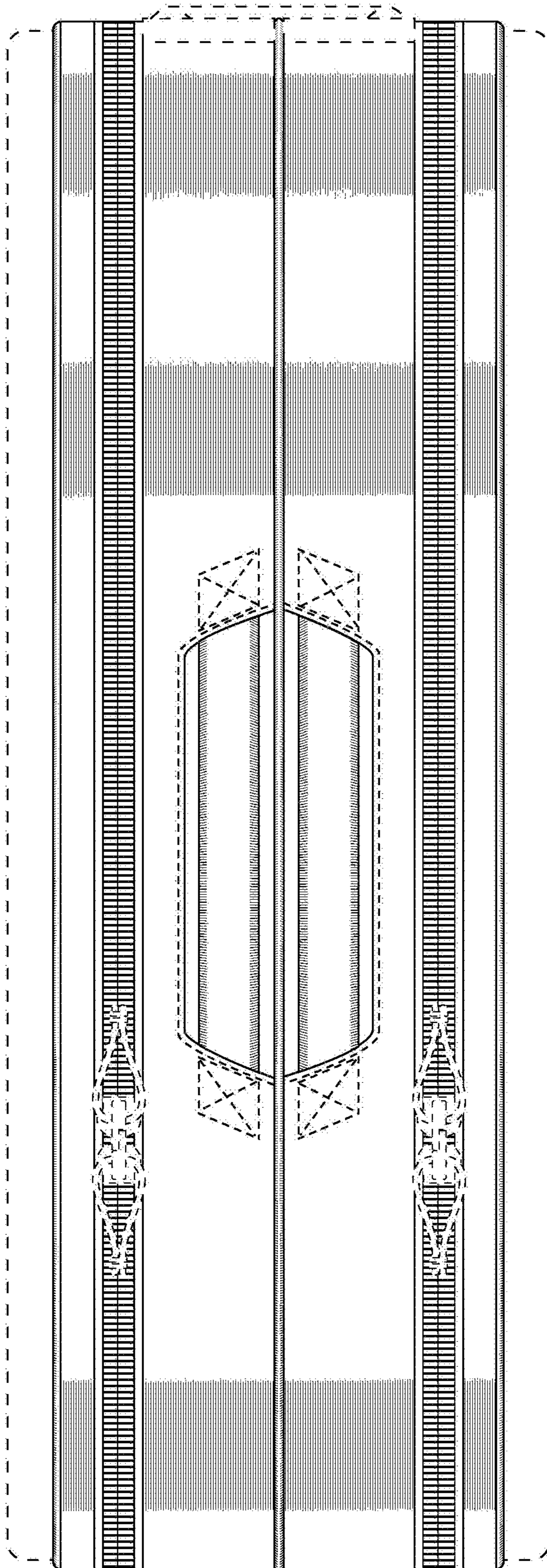


Fig. 5

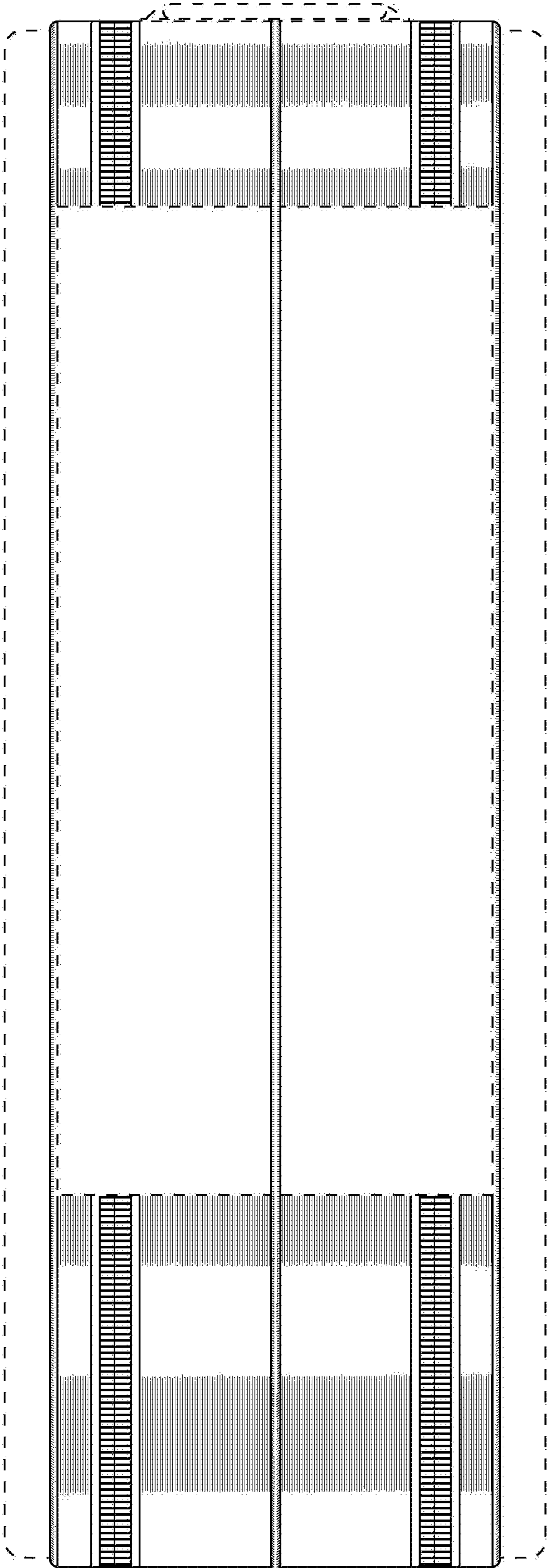


Fig. 6