

US00D964735S

(12) **United States Design Patent**
Zeng

(10) **Patent No.:** **US D964,735 S**

(45) **Date of Patent:** **** Sep. 27, 2022**

(54) **WALLET**

(71) Applicant: **Shenzhen maisheng Hardware Plastic Products Co., Ltd., Shenzhen (CN)**

(72) Inventor: **Jiechang Zeng, Luoding (CN)**

(**) Term: **15 Years**

(21) Appl. No.: **29/798,471**

(22) Filed: **Jul. 8, 2021**

(51) **LOC (13) Cl.** **03-01**

(52) **U.S. Cl.**
USPC **D3/247**

(58) **Field of Classification Search**
USPC D3/247, 249–253; D11/78.1
CPC ... A45C 11/182; A45C 1/06; A45C 2001/067;
A45C 2001/062
See application file for complete search history.

(56) **References Cited**

U.S. PATENT DOCUMENTS

D337,656 S *	7/1993	Hostert	D3/247
D502,596 S	3/2005	Smoot		
D627,965 S	11/2010	Berck		
D690,931 S *	10/2013	Minn	D3/247
D694,007 S	11/2013	D'Amore		
D715,545 S	10/2014	McDaniel		
D716,043 S *	10/2014	Wilk	D3/247
D725,905 S	4/2015	Melander		
D782,189 S	3/2017	Bauer		
D782,190 S	3/2017	Bauer		
D860,645 S *	9/2019	Wu	D3/247
D866,964 S *	11/2019	Tran	D3/247
D868,463 S *	12/2019	Tran	D3/249
D877,513 S *	3/2020	Duncan	D11/78.1
D884,339 S *	5/2020	Li	D20/27
D887,708 S *	6/2020	Tran	D3/247

D895,276 S	9/2020	Leh		
D895,963 S *	9/2020	Anderson	D3/247
10,791,808 B2 *	10/2020	Kane	A45C 1/08
D903,312 S	12/2020	Bauer		
D923,333 S	6/2021	Sato		
D934,560 S *	11/2021	Tran	D3/247
11,311,087 B2 *	4/2022	Del Moral	A45C 1/06
D950,240 S *	5/2022	Tran	D3/247
D950,241 S *	5/2022	Tran	D3/247
D950,954 S *	5/2022	Tran	D3/247
D951,632 S *	5/2022	Tran	D3/247
2021/0337945 A1 *	11/2021	Popoff	A45C 11/182

* cited by examiner

Primary Examiner — Jennifer L Watkins

Assistant Examiner — Samantha Lynne Brodowski

(74) *Attorney, Agent, or Firm* — Rumit Ranjit Kanakia

(57) **CLAIM**

The ornamental design for a wallet, as shown and described.

DESCRIPTION

FIG. 1 is a front elevational view of a wallet showing my new design;

FIG. 2 is a rear elevational view thereof;and

FIG. 3 is a left side view thereof;

FIG. 4 is a right side view thereof;

FIG. 5 is a top plan view thereof;

FIG. 6 is a bottom plan view thereof;

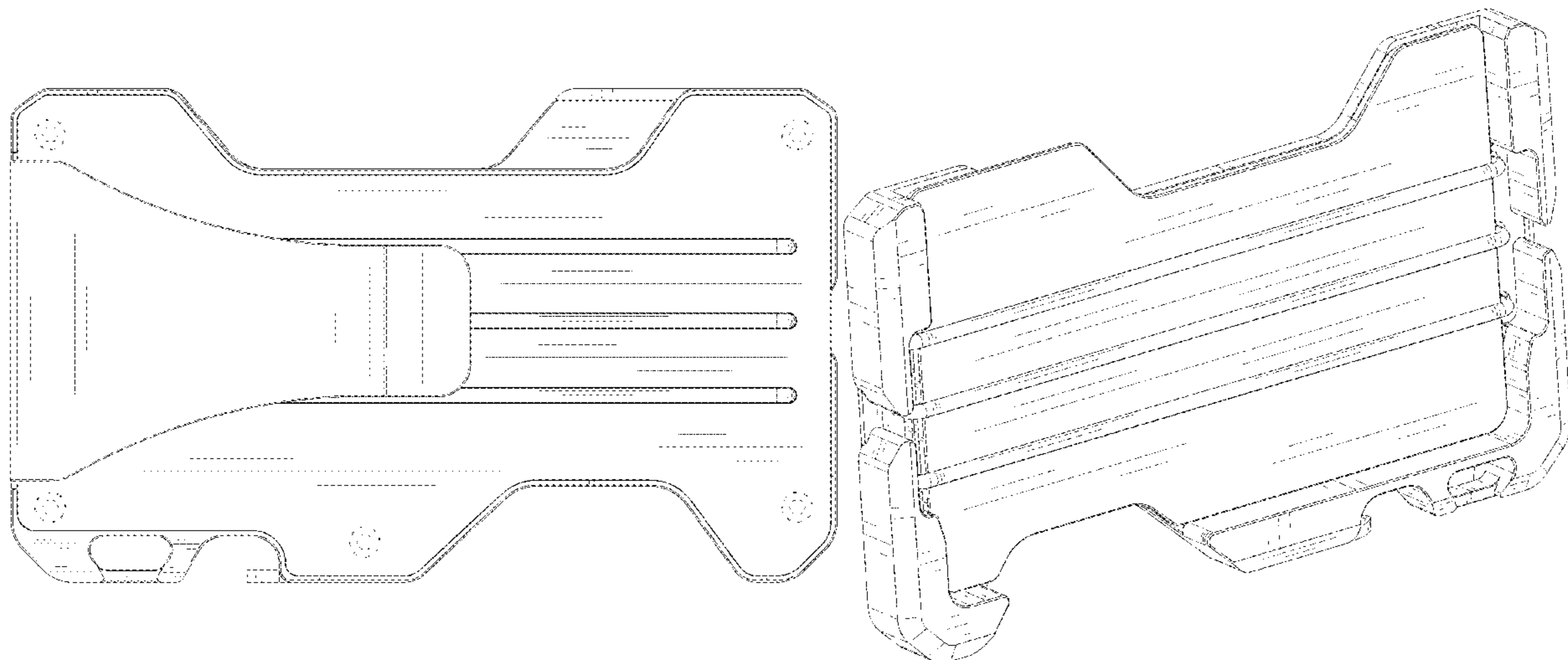
FIG. 7 is a perspective view of a wallet showing my new design;

FIG. 8 is the second perspective view thereof; and,

FIG. 9 is the third perspective view thereof.

The broken lines in the figures are for the purposes of illustrating portions of the wallet, which form no part of the claimed design.

1 Claim, 9 Drawing Sheets



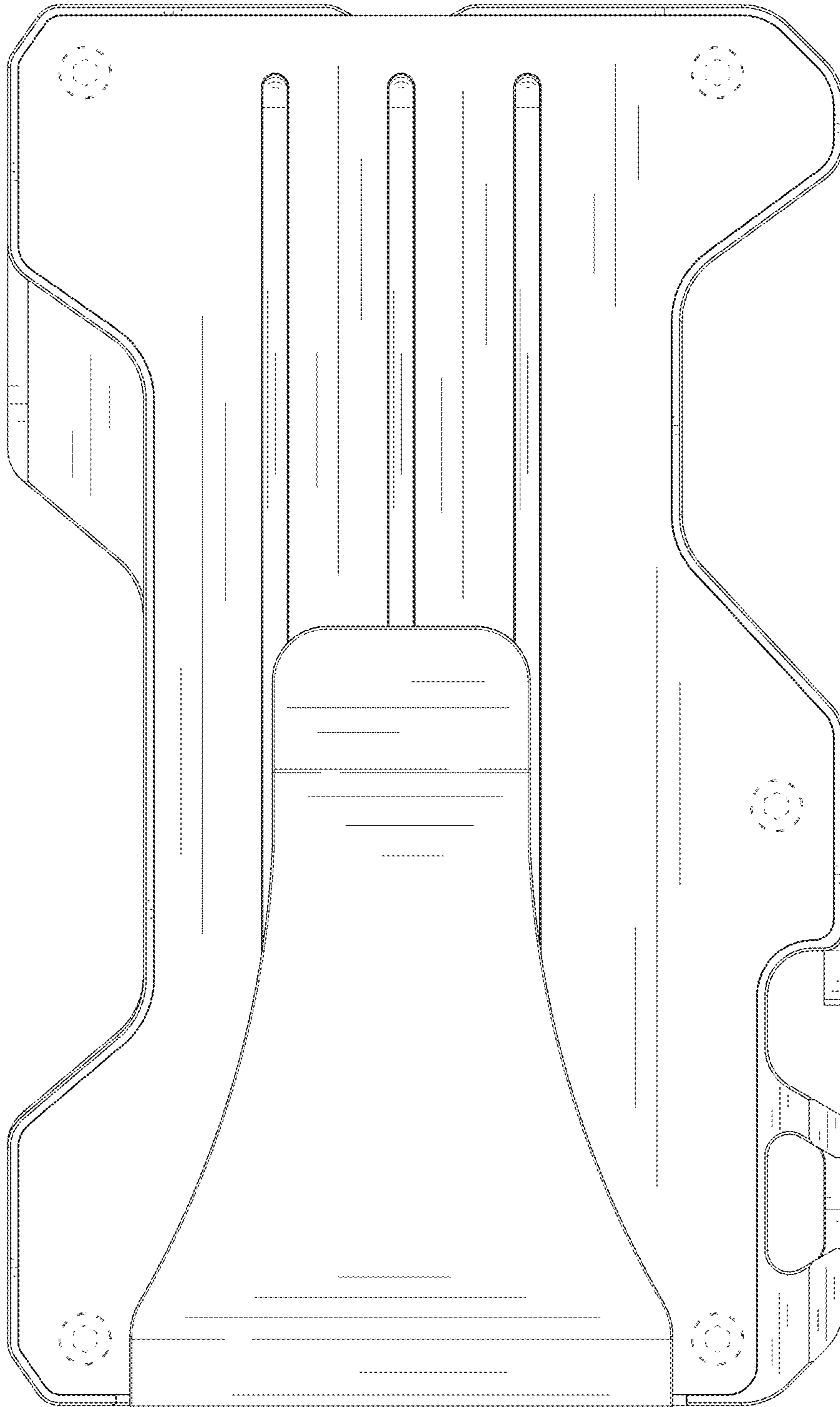


FIG. 1

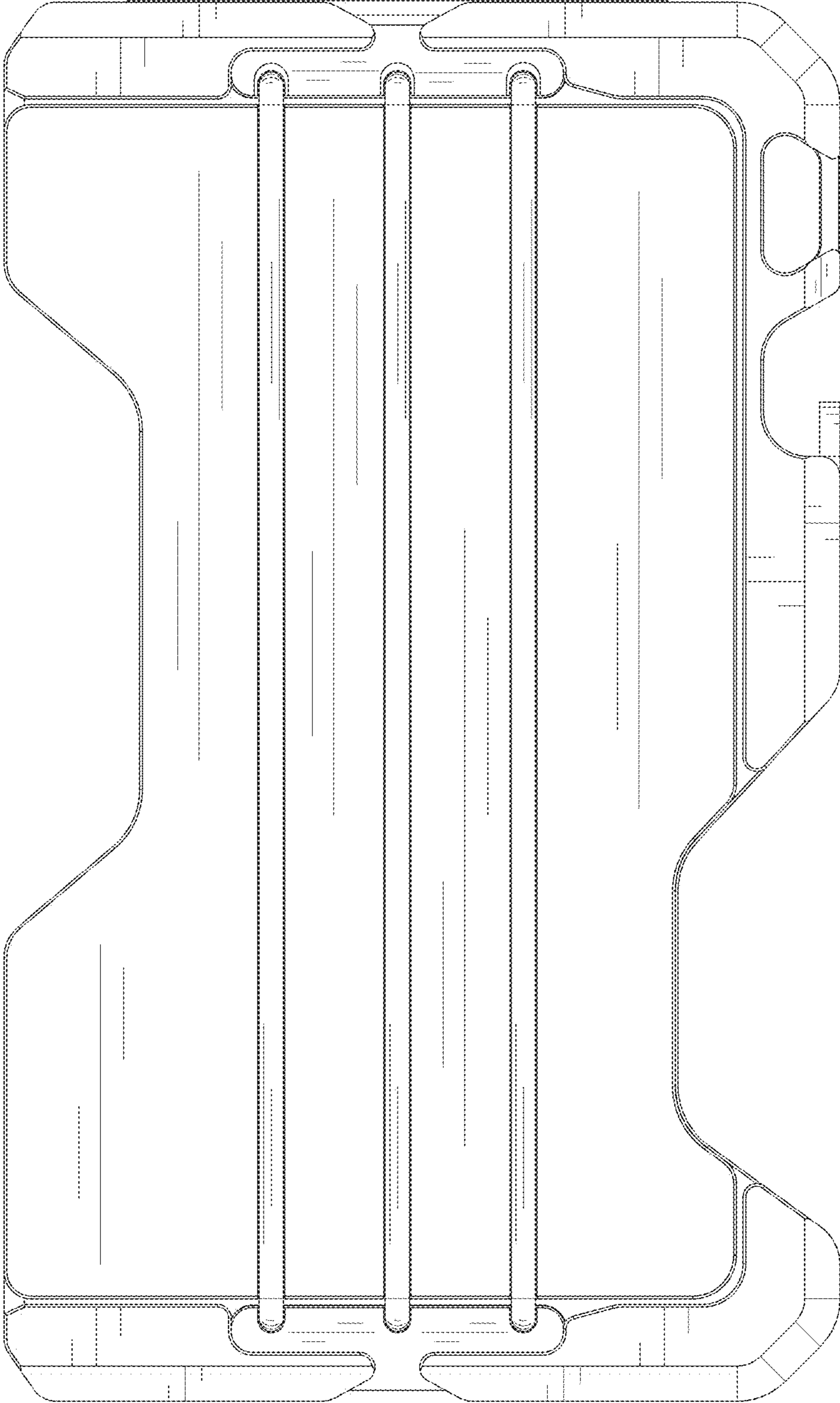


FIG. 2

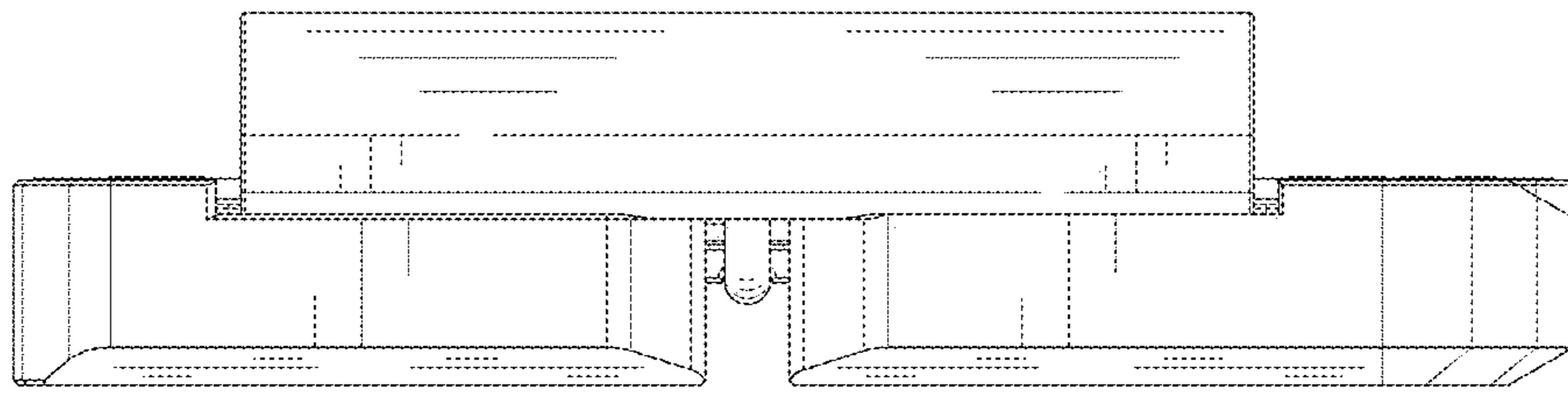


FIG. 3

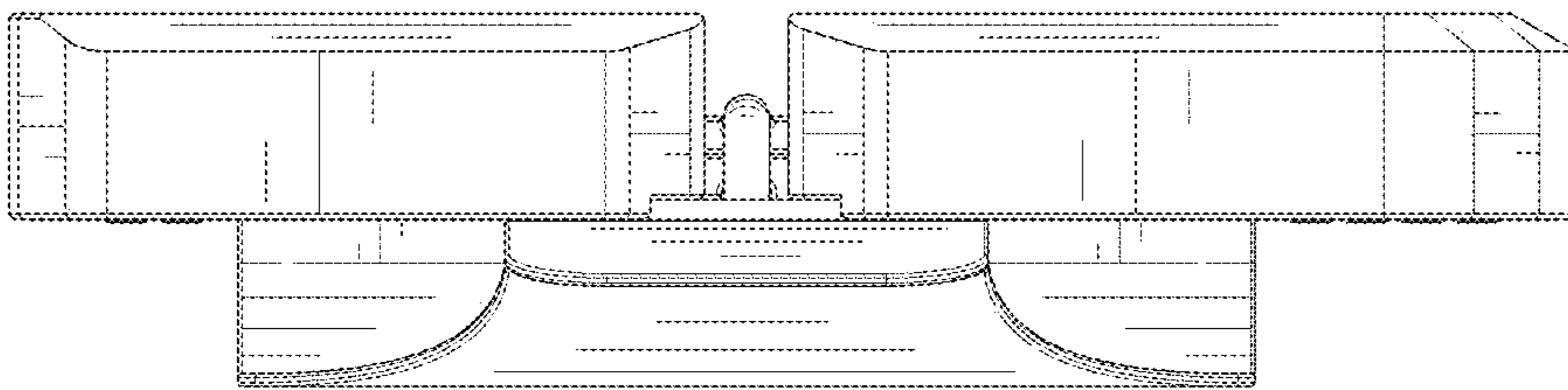


FIG. 4

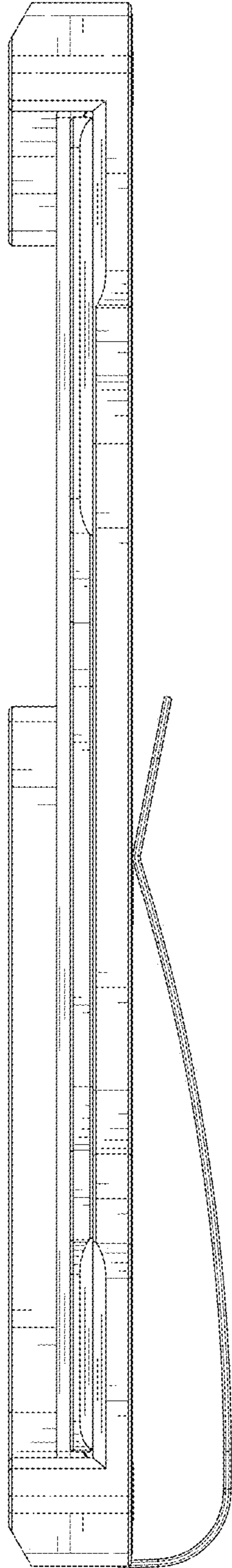


FIG. 5

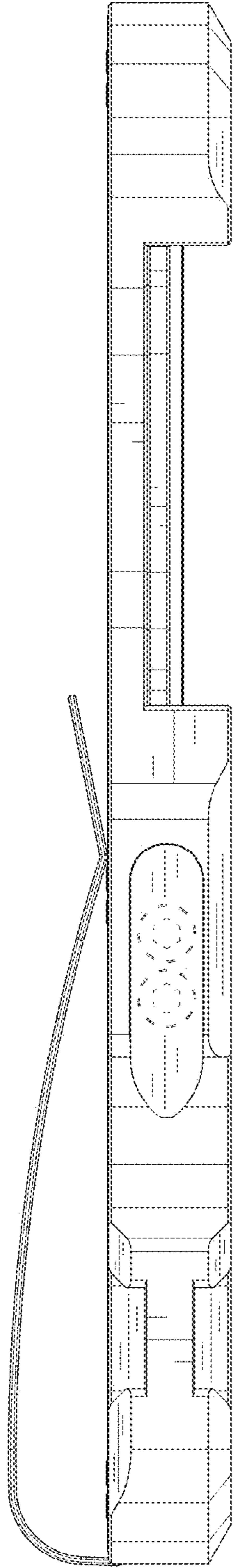


FIG. 6

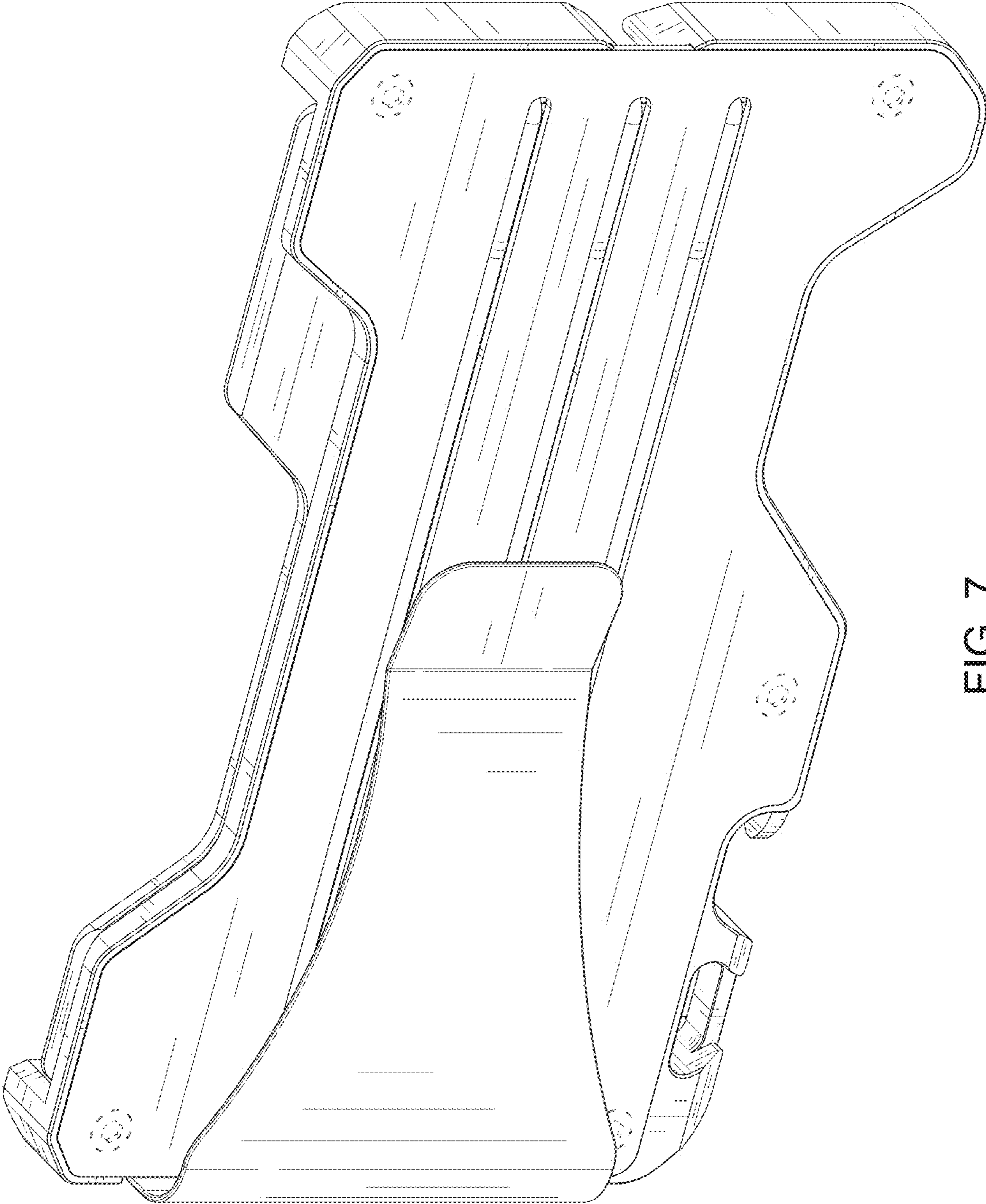


FIG. 7

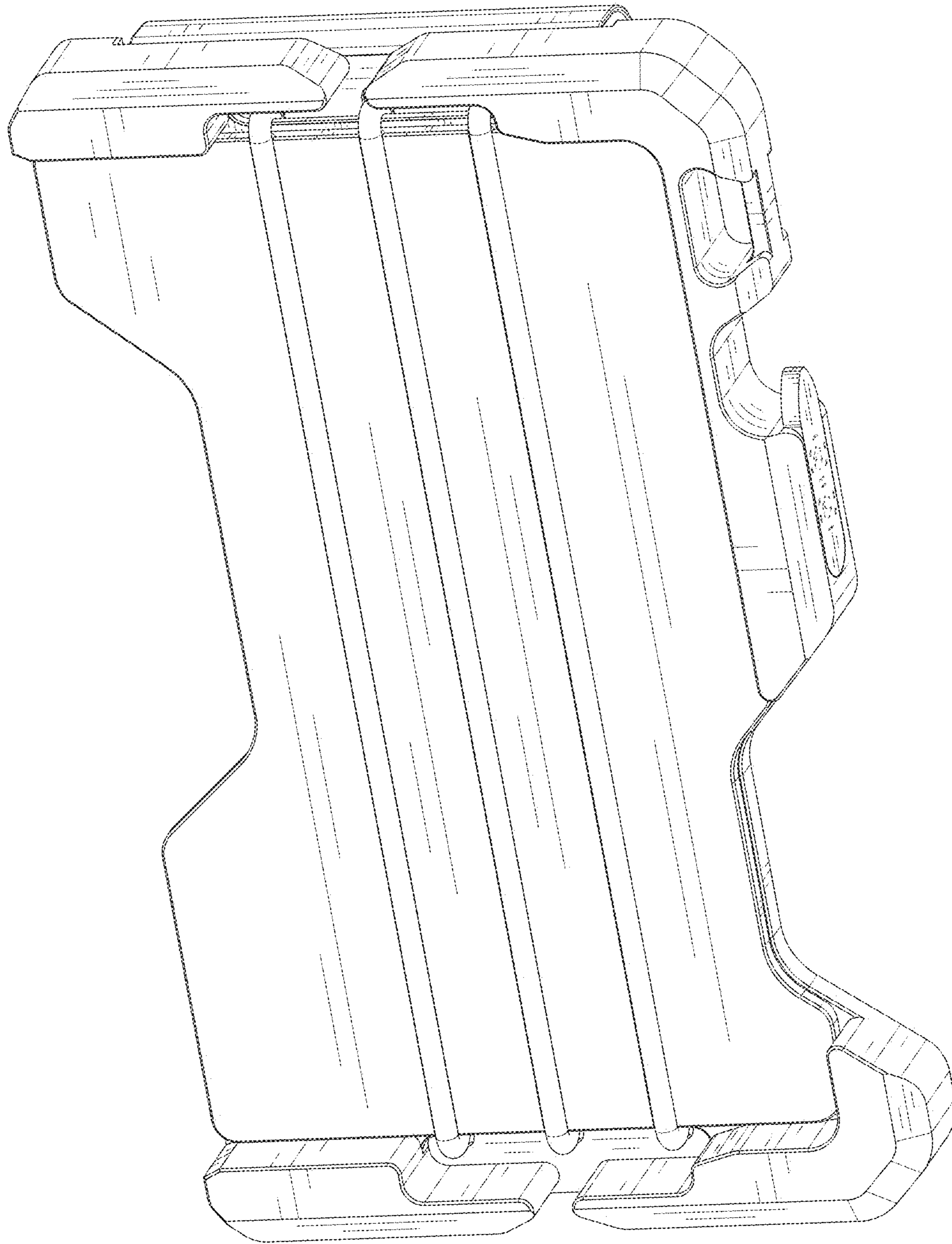


FIG. 8

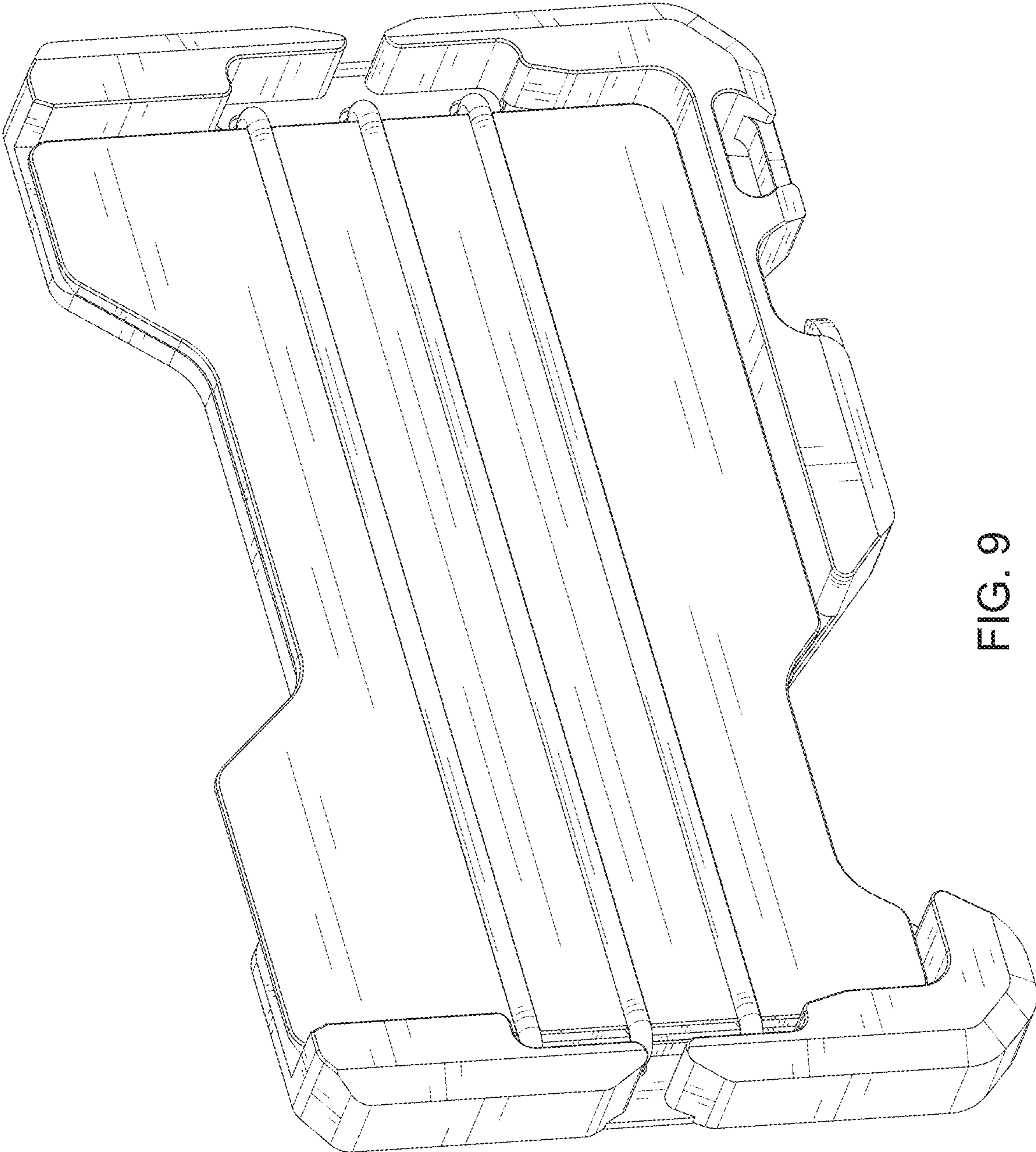


FIG. 9