



US00D964734S

(12) **United States Design Patent** (10) **Patent No.:** **US D964,734 S**  
**Lange** (45) **Date of Patent:** **\*\* Sep. 27, 2022**

- (54) **PURSE WITH EXTERIOR TRANSPARENT PANEL**
- (71) Applicant: **LangeEnterprise LLC**, Edwardsville, IL (US)
- (72) Inventor: **Tamara Lange**, Edwardsville, IL (US)
- (73) Assignee: **LangeEnterprise LLC**, Edwardsville, IL (US)
- (\*\*) Term: **15 Years**
- (21) Appl. No.: **29/739,444**
- (22) Filed: **Jun. 25, 2020**
- (51) **LOC (13) Cl.** ..... **03-01**
- (52) **U.S. Cl.**  
USPC ..... **D3/243; D3/249**
- (58) **Field of Classification Search**  
USPC ..... **D3/218, 232-233, 243, 245-246, D3/247-253, 303**  
CPC ... **A45C 1/06; A45C 11/182; A45C 2001/086; A45C 2011/002; A45F 2200/0516**  
See application file for complete search history.

- D429,562 S \* 8/2000 Lau ..... D3/226
- D458,024 S \* 6/2002 Tyler ..... D3/219
- D551,446 S \* 9/2007 Elnekaveh ..... D3/249
- D622,957 S \* 9/2010 Marshall ..... D3/247
- D626,331 S \* 11/2010 Guyon ..... D3/243
- D646,479 S \* 10/2011 Littleton ..... D3/243

(Continued)

**OTHER PUBLICATIONS**

“Everyday Essential Purse w/ Cell Phone Touch Access by Lori Greiner on QVC”, first available Dec. 7, 2019, youtube.com, site visited Sep. 2, 2021: <https://www.youtube.com/watch?v=qkTk7cE3XFU> (Year: 2019).\*

(Continued)

*Primary Examiner* — Jennifer L Watkins  
*Assistant Examiner* — Samantha Lynne Brodowski  
(74) *Attorney, Agent, or Firm* — Greensfelder Hemker & Gale; Jared S. Manse

(57) **CLAIM**

The ornamental design for a purse with exterior transparent panel, as shown and described.

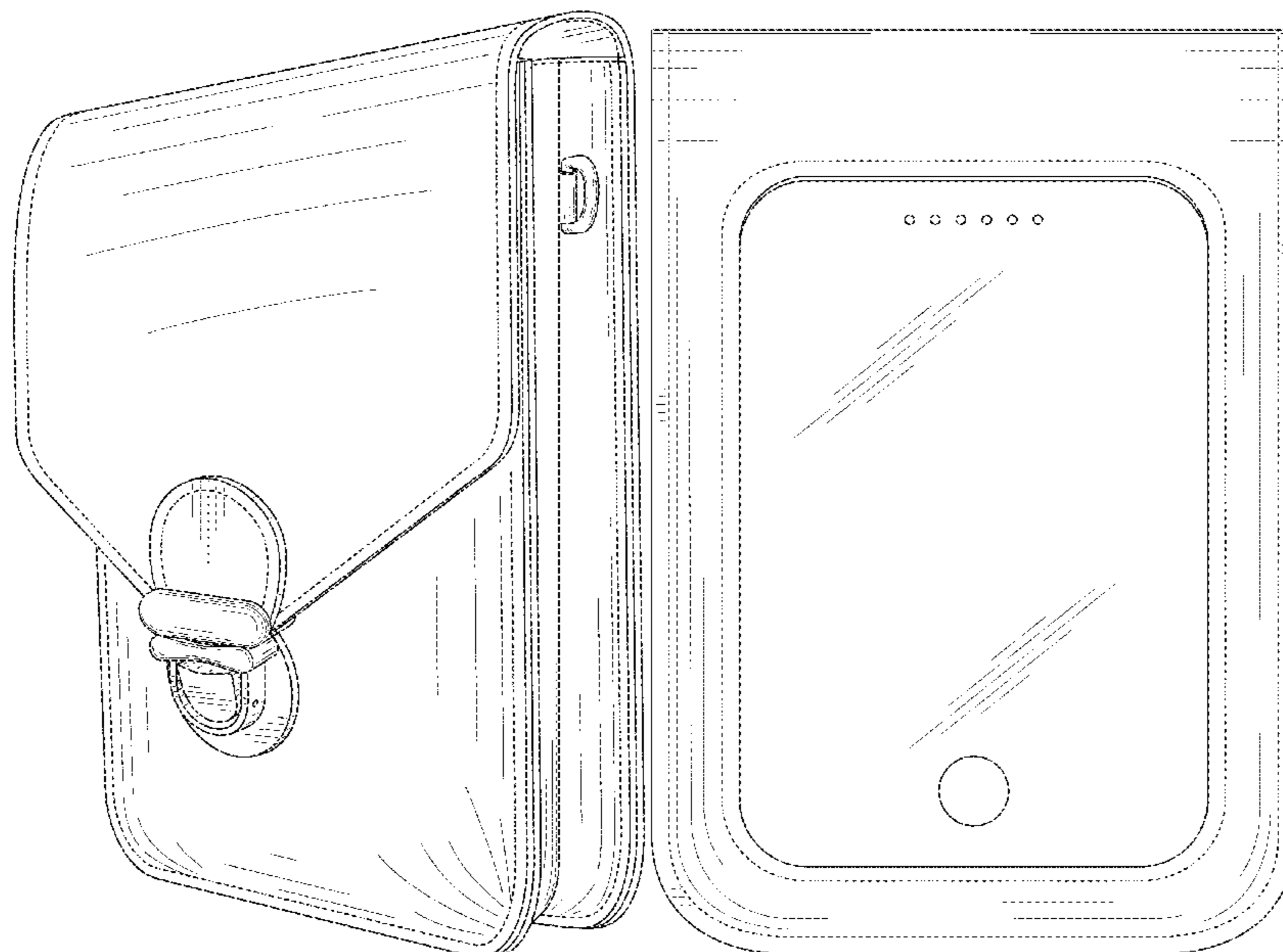
**DESCRIPTION**

FIG. 1 is a front side perspective view of the purse with exterior transparent panel thereon, in a closed configuration; FIG. 2 is a front view thereof; FIG. 3 is a back view thereof; FIG. 4 is a right side view thereof; FIG. 5 is a left side view thereof; FIG. 6 is a top view thereof; FIG. 7 is a bottom view thereof; and, FIG. 8 is a front side perspective view of the purse with exterior transparent panel thereon, in an open configuration. The dashed broken lines represent stitching and are part of the claimed design. The dash-dot broken lines showing the text “LOGO” depict environment and form no part of the claim.

**1 Claim, 7 Drawing Sheets**

(56) **References Cited**  
U.S. PATENT DOCUMENTS

- 2,511,533 A \* 6/1950 Hyman ..... A45C 1/06 150/139
- D265,021 S \* 6/1982 Hayman ..... D3/247
- D272,016 S \* 1/1984 Blair ..... D3/208
- D304,781 S \* 11/1989 Hanson ..... D6/629
- D343,059 S 1/1994 Daniels et al.
- D345,254 S \* 3/1994 Bodden ..... D3/243
- D360,751 S \* 8/1995 Nash ..... D3/233
- 5,771,951 A \* 6/1998 Bihn ..... A47F 5/0807 150/108
- D396,554 S \* 8/1998 Roeder ..... D3/232
- D425,303 S \* 5/2000 Klonowski ..... D3/201



(56)

References Cited

2013/0190053 A1\* 7/2013 Kelly ..... A45C 15/00  
455/566

U.S. PATENT DOCUMENTS

D681,949 S \* 5/2013 Kershenstein ..... D3/249  
 D756,641 S \* 5/2016 DeChant ..... D3/247  
 D764,790 S \* 8/2016 Vruwink ..... D3/232  
 D770,176 S \* 11/2016 Guyon ..... D3/243  
 D772,563 S \* 11/2016 Carol-Libman ..... D3/232  
 D812,373 S 3/2018 Hildebrand et al.  
 D855,981 S \* 8/2019 Vickery ..... D3/243  
 D857,382 S \* 8/2019 Fusi ..... D3/232  
 D862,081 S 10/2019 Lange  
 D862,082 S 10/2019 Lange  
 D862,879 S 10/2019 Lange  
 D880,159 S \* 4/2020 Fenton ..... D3/303  
 D882,249 S \* 4/2020 Nair ..... D3/232  
 D936,357 S \* 11/2021 Yang ..... D3/249  
 2012/0186709 A1\* 7/2012 Mulaw ..... A45C 11/32  
150/106

OTHER PUBLICATIONS

“Touch Screen Purse by Lori Greiner Fits Most Smartphones—Stylish Crossbody with Shoulder Strap—RFID Keeps Cash, Credit Cards, Phone Screens Safe—Black”, first available May 1, 2020, Amazon.com, site visited Sep. 2, 2021: [https://www.amazon.com/Touch-Screen-Purse-Greiner-Smartphones/dp/B087YVZHBF?ref\\_ast\\_sto\\_dp&th=1&psc=1](https://www.amazon.com/Touch-Screen-Purse-Greiner-Smartphones/dp/B087YVZHBF?ref_ast_sto_dp&th=1&psc=1) (Year: 2020).\*  
 “Tuck Lock Clasps 3/4"×7/8" (19×22mm)”, first available Oct. 8, 2014, Tandy Leather Factory on Amazon.com, site visited Mar. 16, 2022: <https://www.amazon.com/Tuck-Lock-Clasps-4x7-19x22mm/dp/B00OAJCK71> (Year: 2014).\*

\* cited by examiner

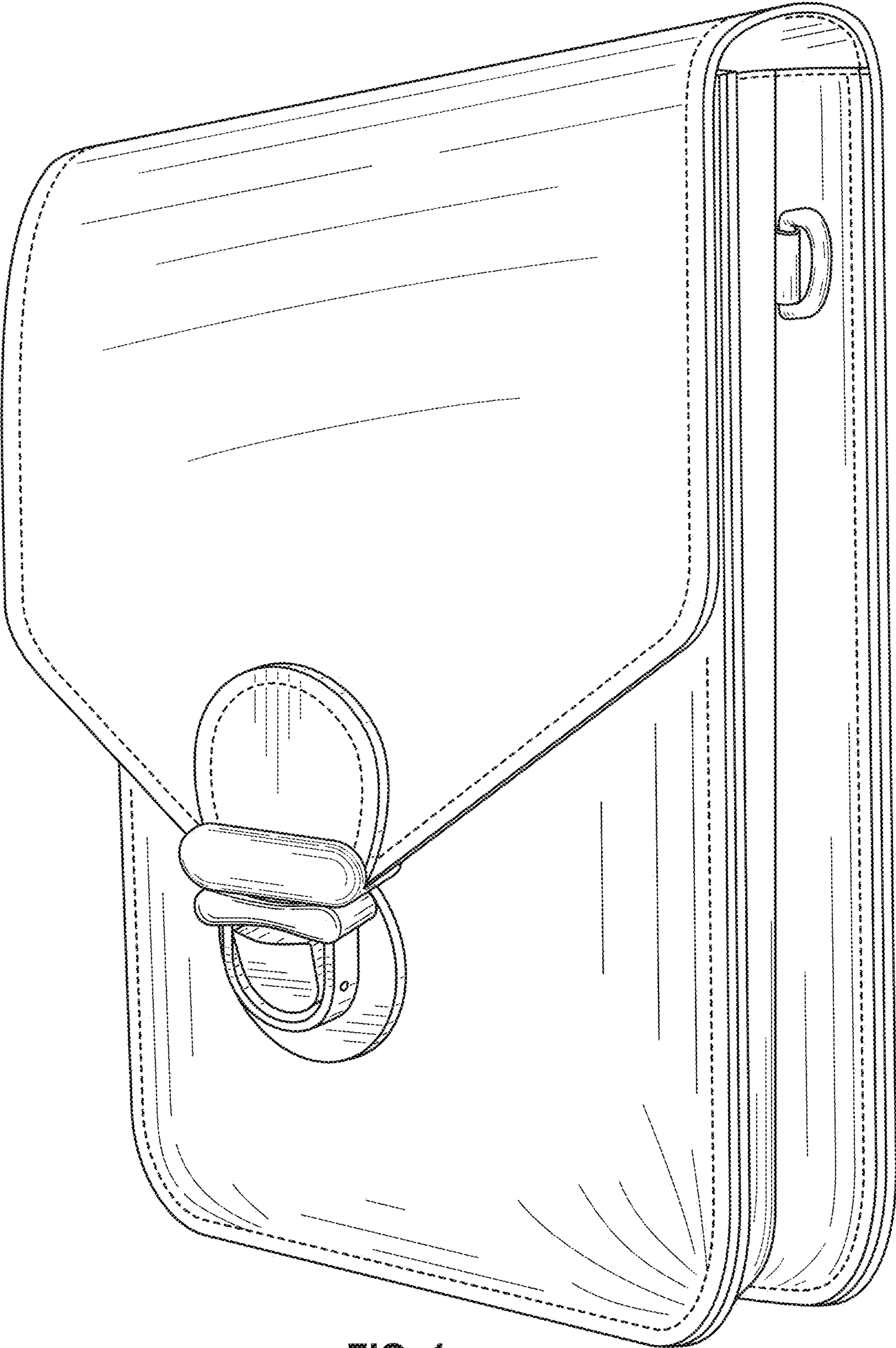


FIG. 1

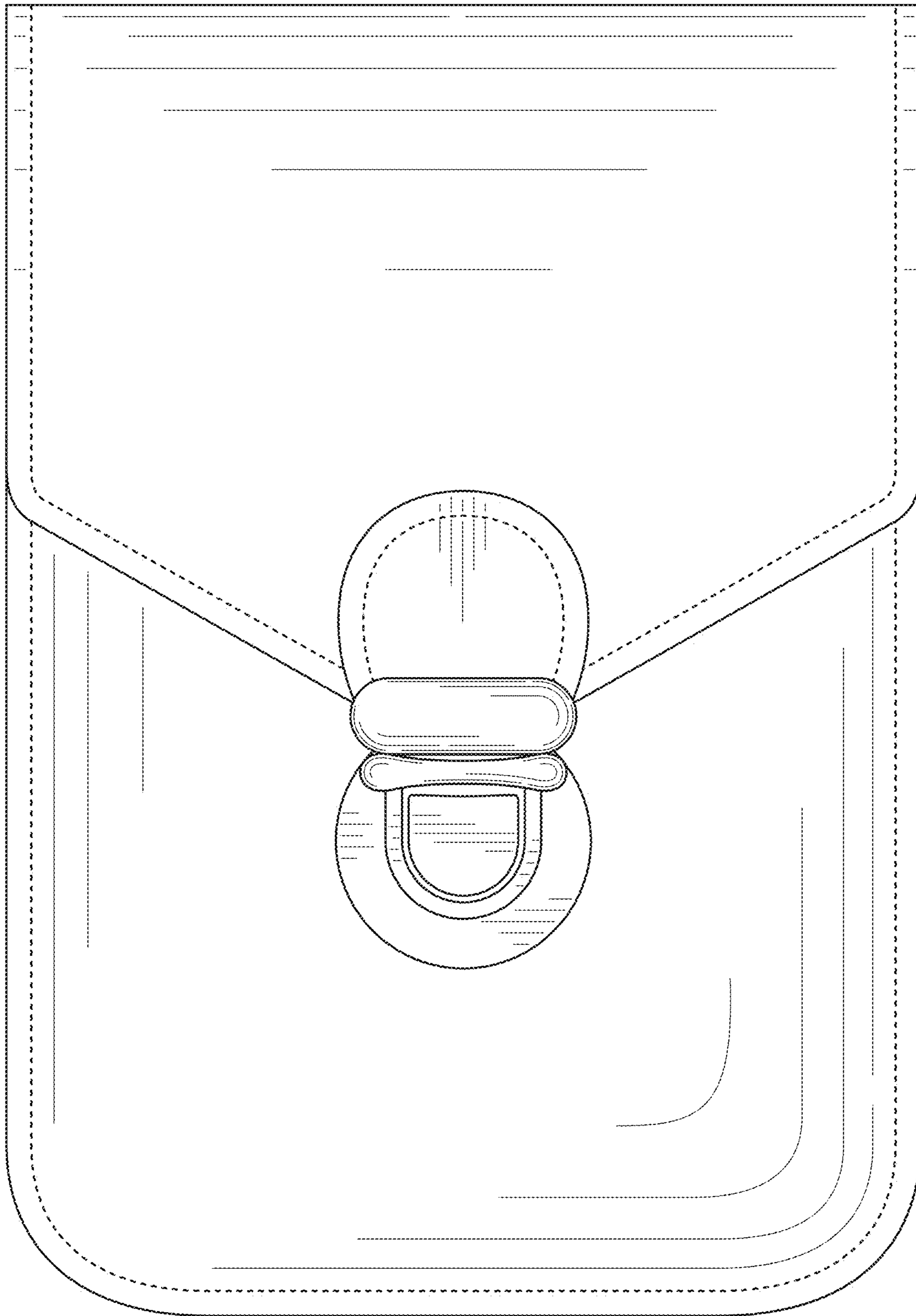


FIG. 2

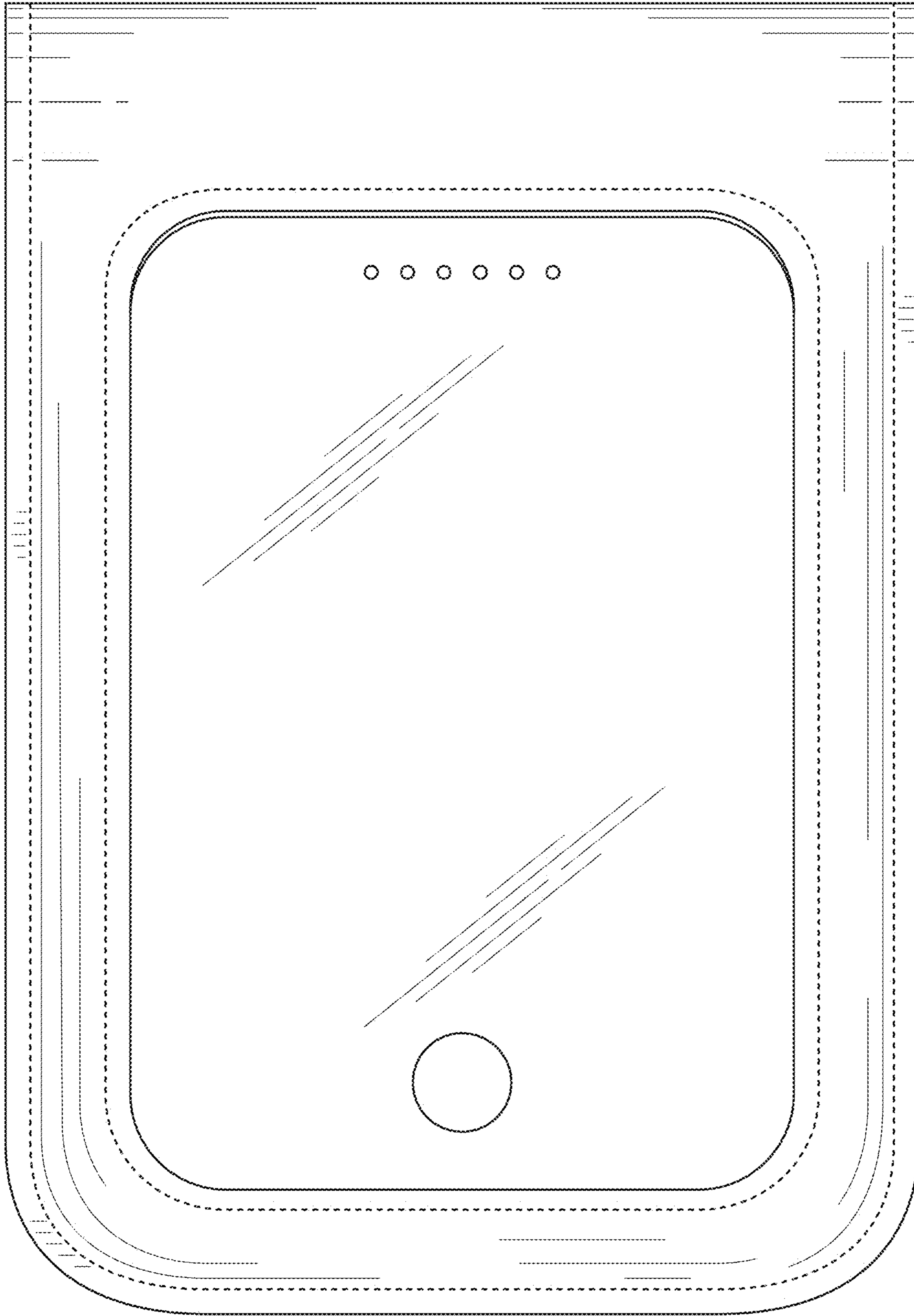


FIG. 3

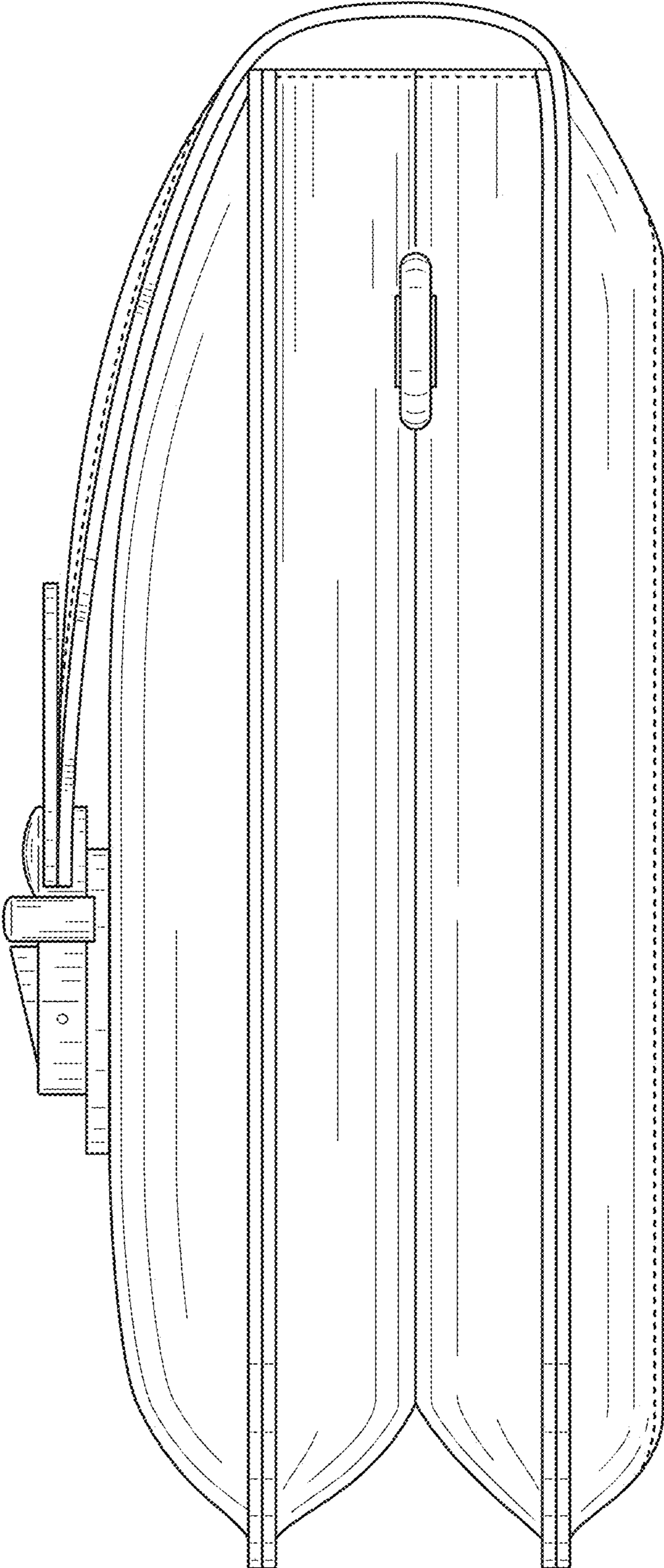


FIG. 4

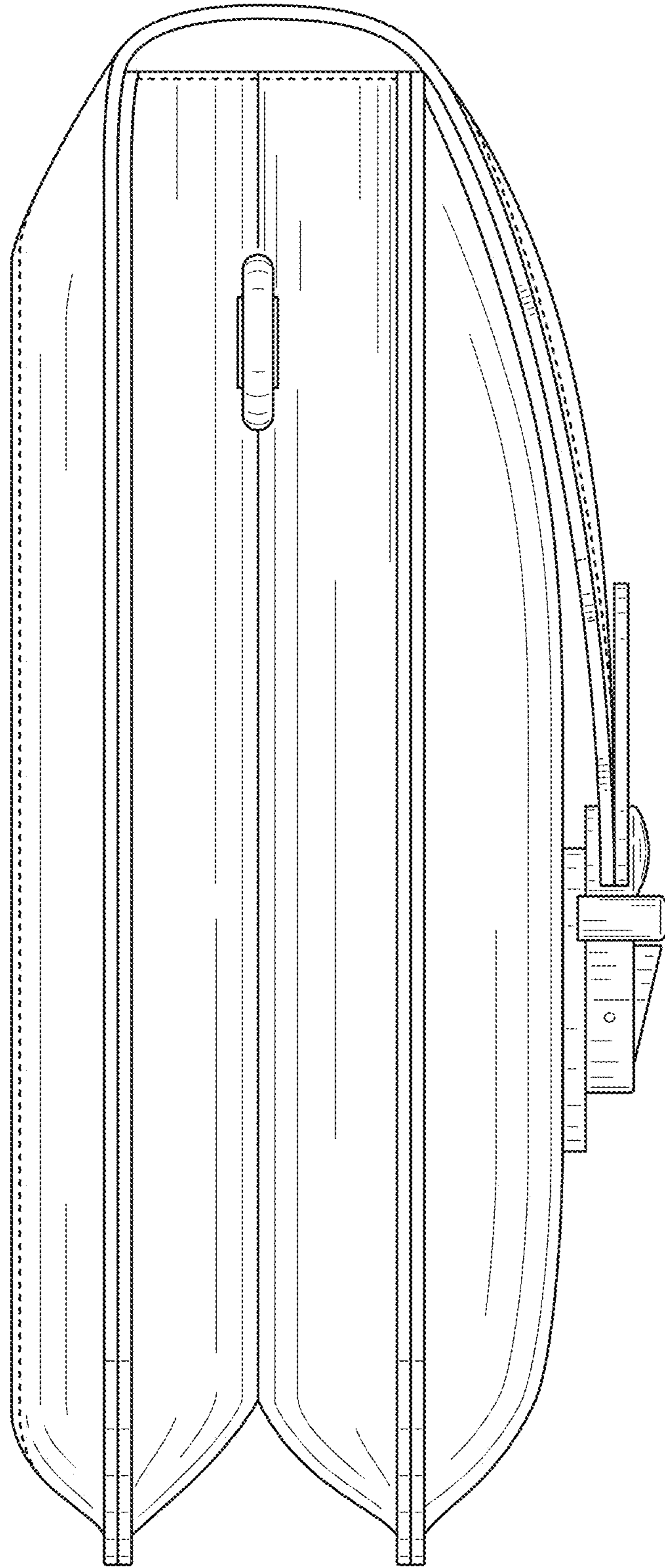


FIG. 5

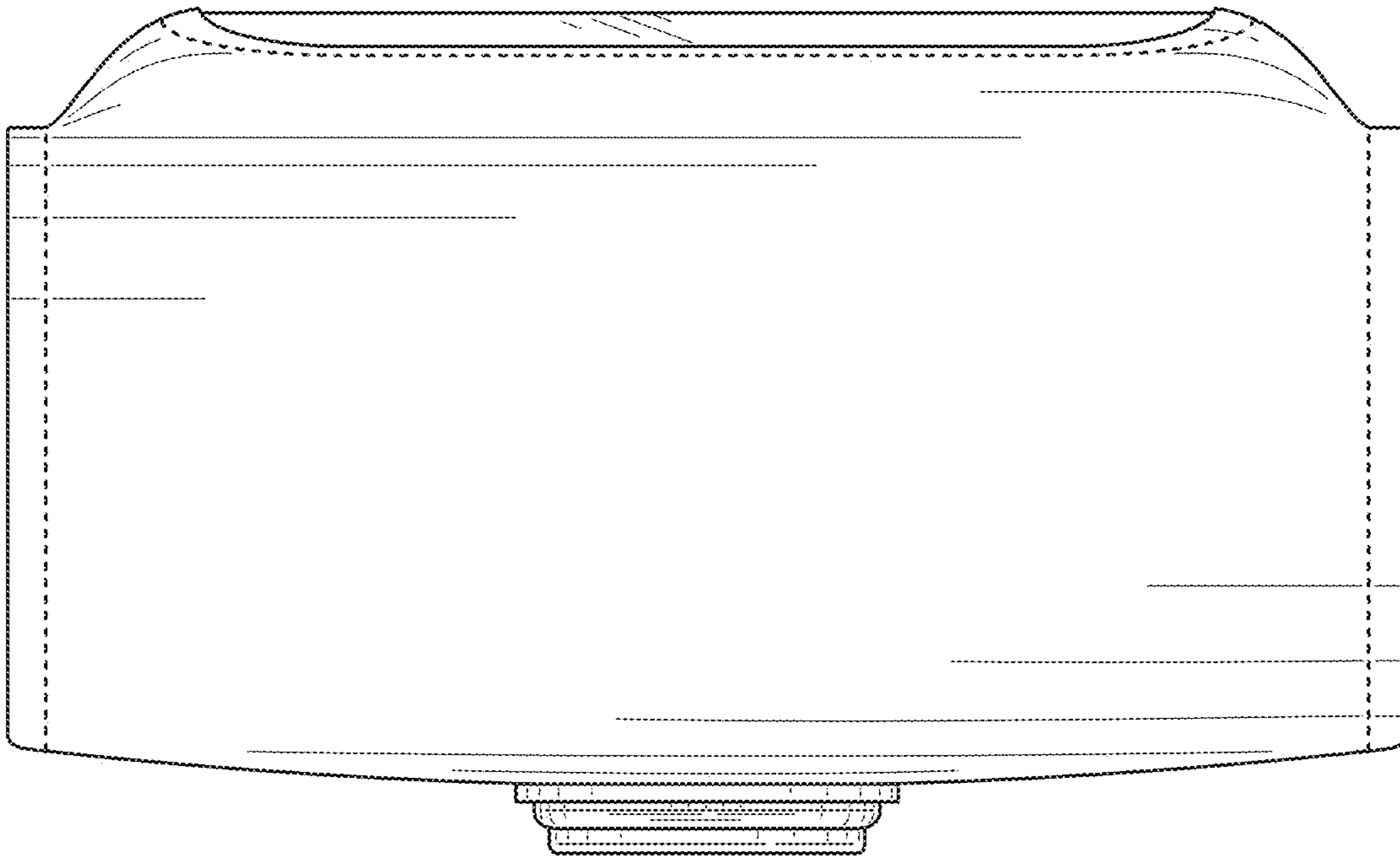


FIG. 6

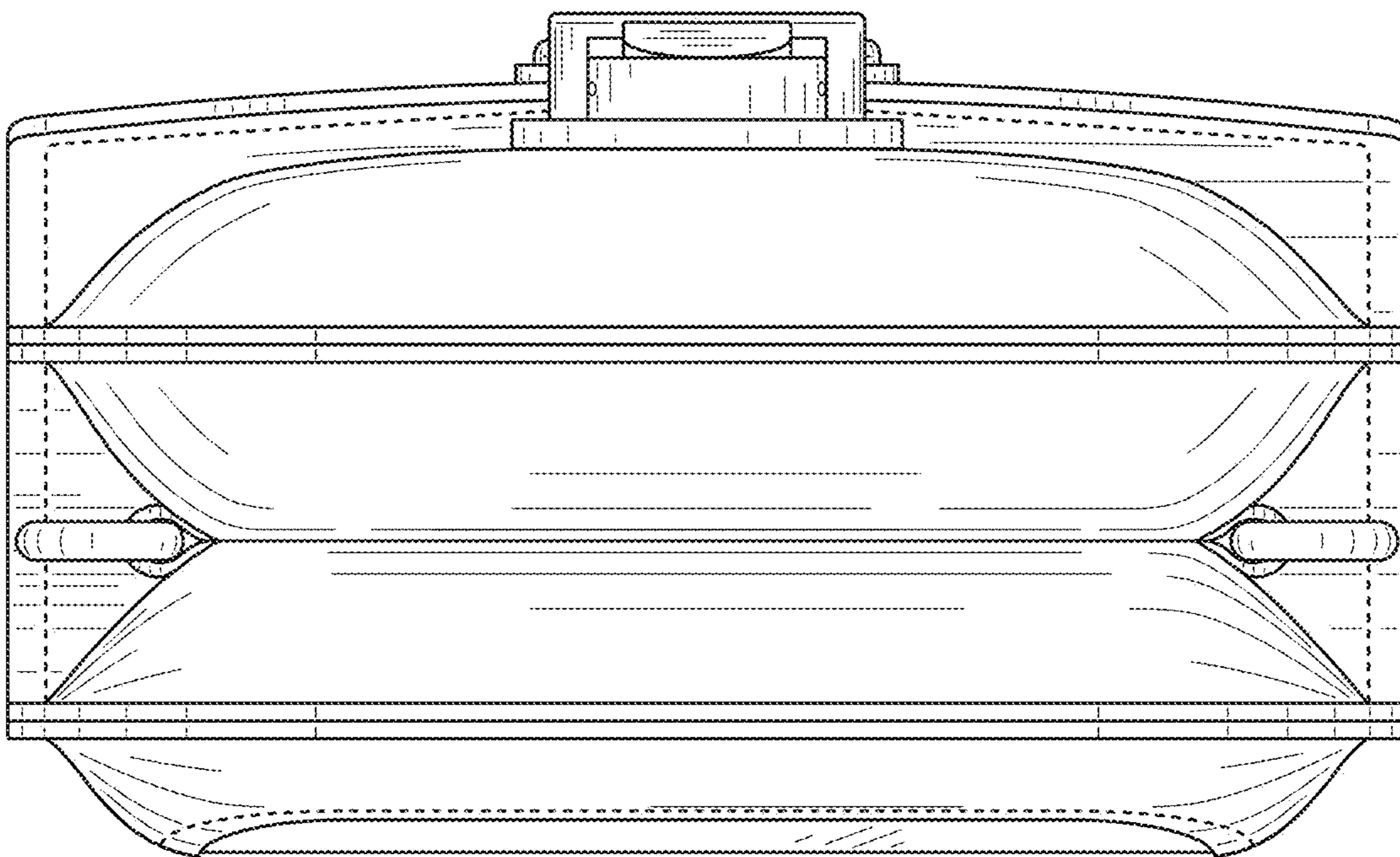


FIG. 7





FIG. 8