

US00D964731S

(12) **United States Design Patent** (10) **Patent No.:** **US D964,731 S**
Small (45) **Date of Patent:** **** Sep. 27, 2022**

(54) **SHOE**
(71) Applicant: **NIKE, Inc.**, Beaverton, OR (US)
(72) Inventor: **Jessica Small**, Portland, OR (US)
(73) Assignee: **NIKE, Inc.**, Beaverton, OR (US)
(**) Term: **15 Years**
(21) Appl. No.: **29/759,003**
(22) Filed: **Nov. 19, 2020**
(51) **LOC (13) Cl.** **02-04**
(52) **U.S. Cl.**
USPC **D2/973**
(58) **Field of Classification Search**
USPC D2/896, 900, 902, 904, 906-908,
D2/916-924, 925-945, 969-979
CPC A43B 1/00; A43B 1/02; A43B 1/04; A43B
3/00; A43B 3/02; A43B 3/06; A43B 3/10;
A43B 3/12; A43B 3/14; A43B 5/00;
A43B 5/001; A43B 5/002; A43B 5/008;
A43B 5/06; A43B 5/10; A43B 5/12;
A43B 23/00; A43B 23/02; A43B 23/04
See application file for complete search history.

(56) **References Cited**

U.S. PATENT DOCUMENTS

D397,858 S 9/1998 Cass
D444,622 S * 7/2001 Wilson D2/907
D457,297 S * 5/2002 Adams D2/969
D461,950 S * 8/2002 Adams D2/969
D467,713 S * 12/2002 Adams D2/969
D468,896 S * 1/2003 Adams D2/969
D470,298 S * 2/2003 Adams D2/969
D474,008 S * 5/2003 Masullo D2/969
D480,547 S * 10/2003 Matis D2/969
D485,427 S * 1/2004 Akhidime D2/969
D494,349 S * 8/2004 Teteriatnikov D2/969

D504,207 S * 4/2005 Matis D2/969
D548,939 S * 8/2007 Hulbert D2/969
D566,951 S * 4/2008 Belley D2/969
D590,138 S * 4/2009 Cofinco D2/907
D594,215 S * 6/2009 Banik D2/969
D598,187 S * 8/2009 Walton D2/969
D599,997 S * 9/2009 St-Louis D2/969
D781,554 S * 3/2017 Anceresi D2/972
D790,201 S 6/2017 McMillan
D793,710 S 8/2017 Winfield
D798,579 S 10/2017 McMillan
D798,580 S 10/2017 McMillan
D798,581 S 10/2017 McMillan
D838,969 S * 1/2019 Klein D2/973
D844,965 S * 4/2019 Lashmore D2/972
D871,747 S * 1/2020 de Montgolfier D2/973
D878,729 S * 3/2020 Van De Stouwe D2/969
D878,730 S * 3/2020 Van De Stouwe D2/969
D882,937 S * 5/2020 de Montgolfier D2/973
D915,760 S * 4/2021 Sokol D2/973
D924,551 S * 7/2021 Schenone D2/969
D925,204 S * 7/2021 Schenone D2/973
D943,992 S * 2/2022 Schultze D2/973
D943,993 S * 2/2022 Schultze D2/978
D943,994 S * 2/2022 Stauffer D2/972

(Continued)

Primary Examiner — Jonathan J Han
(74) *Attorney, Agent, or Firm* — Banner & Witcoff, Ltd.

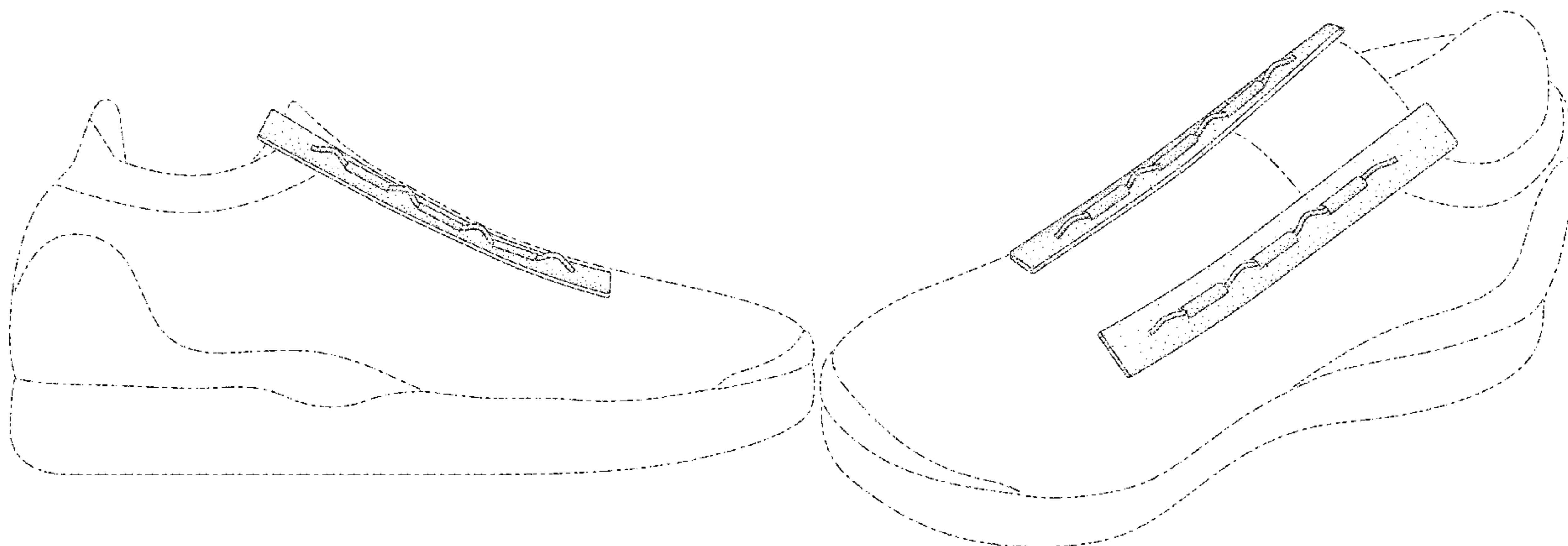
(57) **CLAIM**

The ornamental design for a shoe, as shown and described.

DESCRIPTION

FIG. 1 is a side view of a shoe showing my new design;
FIG. 2 is a front perspective view thereof;
FIG. 3 is an opposite side front perspective view thereof;
FIG. 4 is an opposite side view thereof; and,
FIG. 5 is a top view thereof.
The broken lines depicting the remainder of the shoe form
no part of the claimed design.

1 Claim, 5 Drawing Sheets



(56)

References Cited

U.S. PATENT DOCUMENTS

D945,763 S * 3/2022 Sagat D2/978
D947,515 S * 4/2022 Sokol D2/972

* cited by examiner

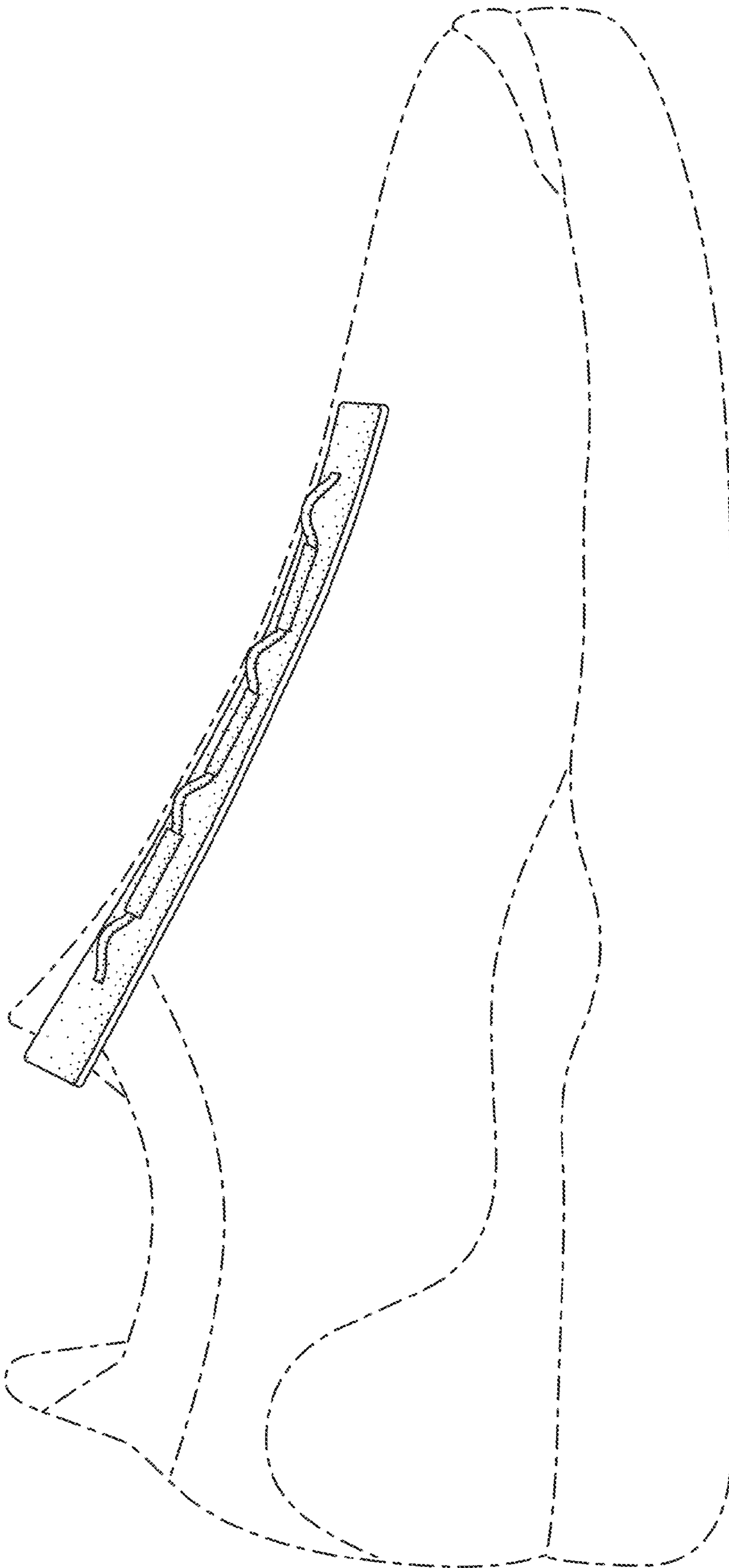


FIG. 1

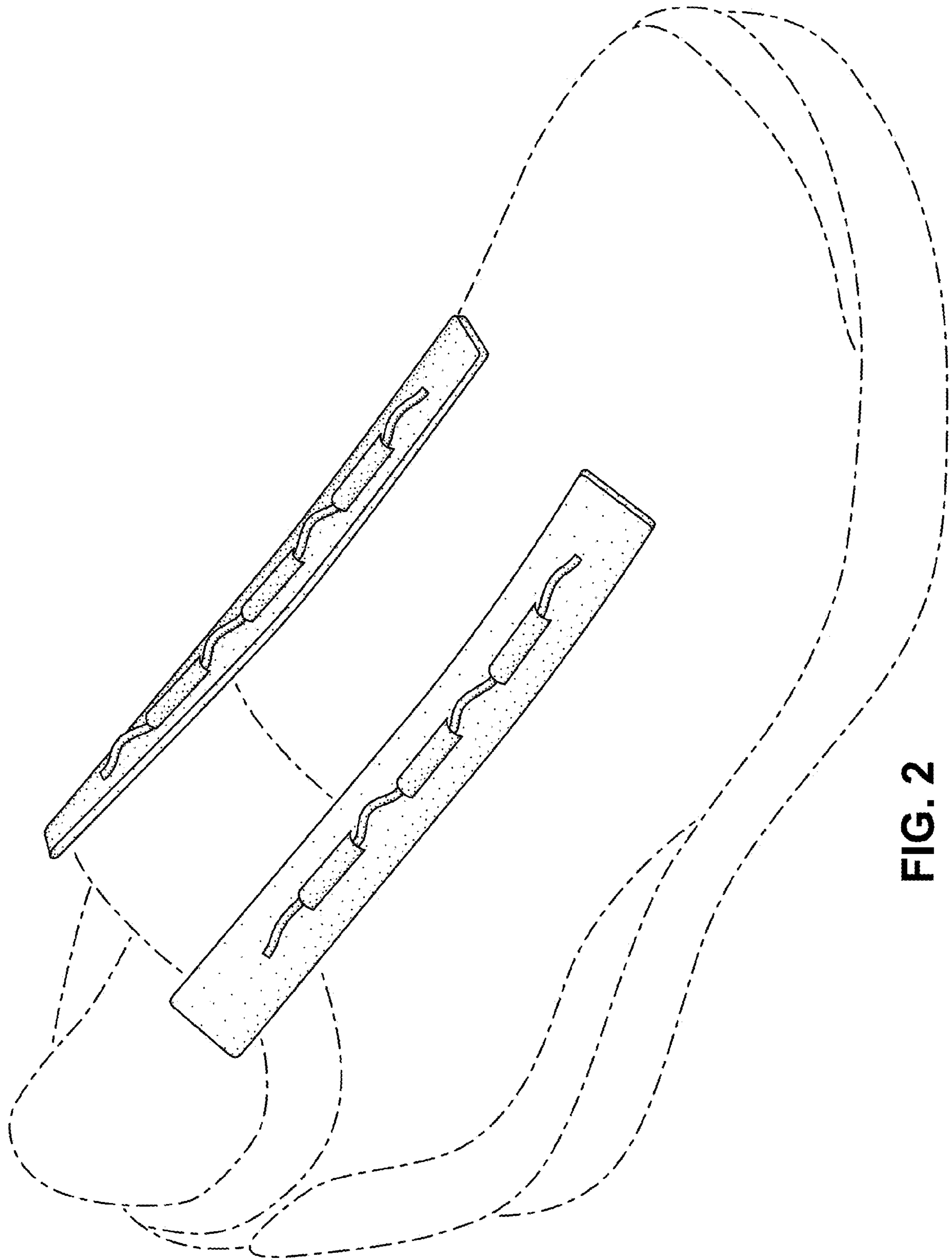


FIG. 2

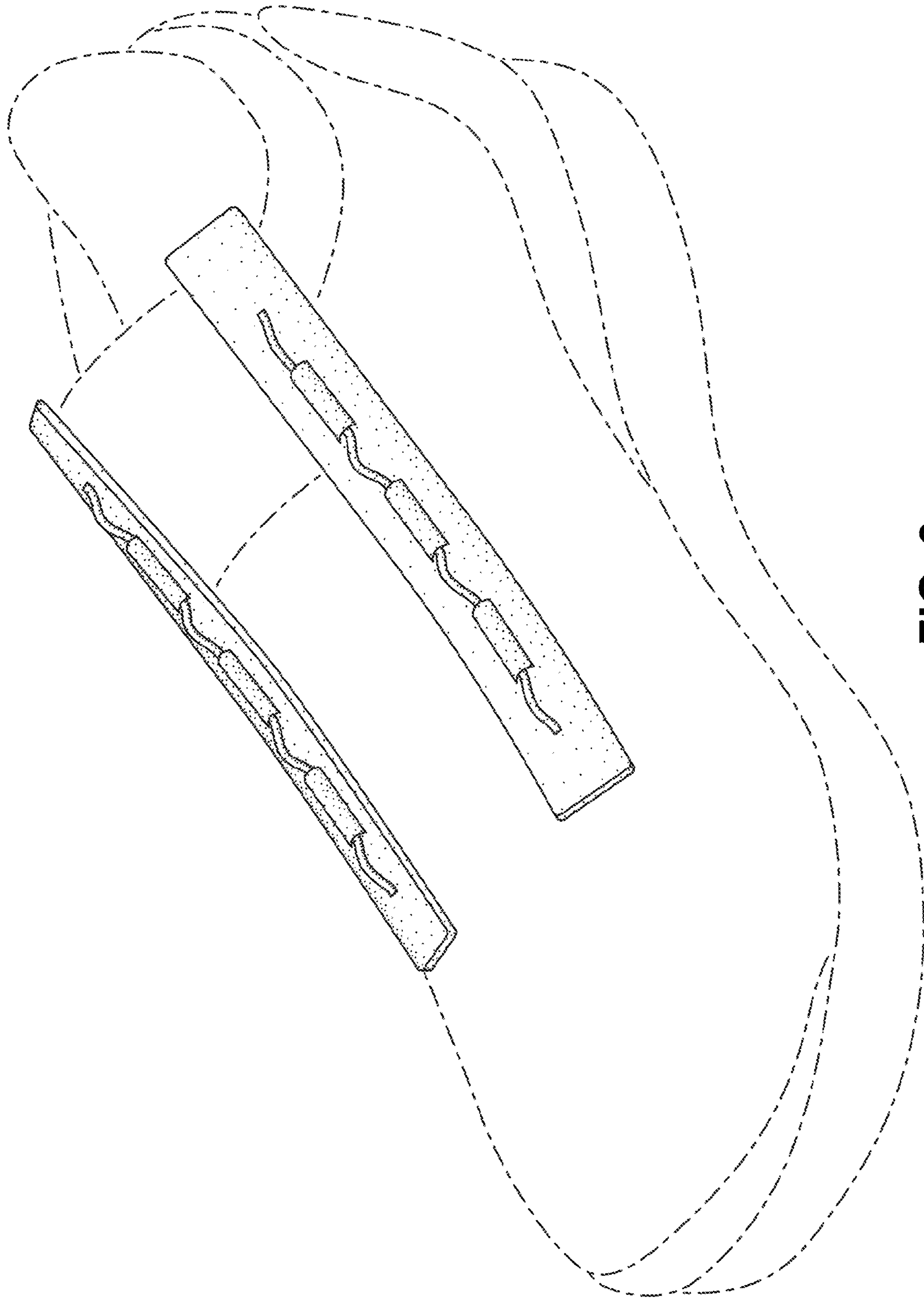


FIG. 3

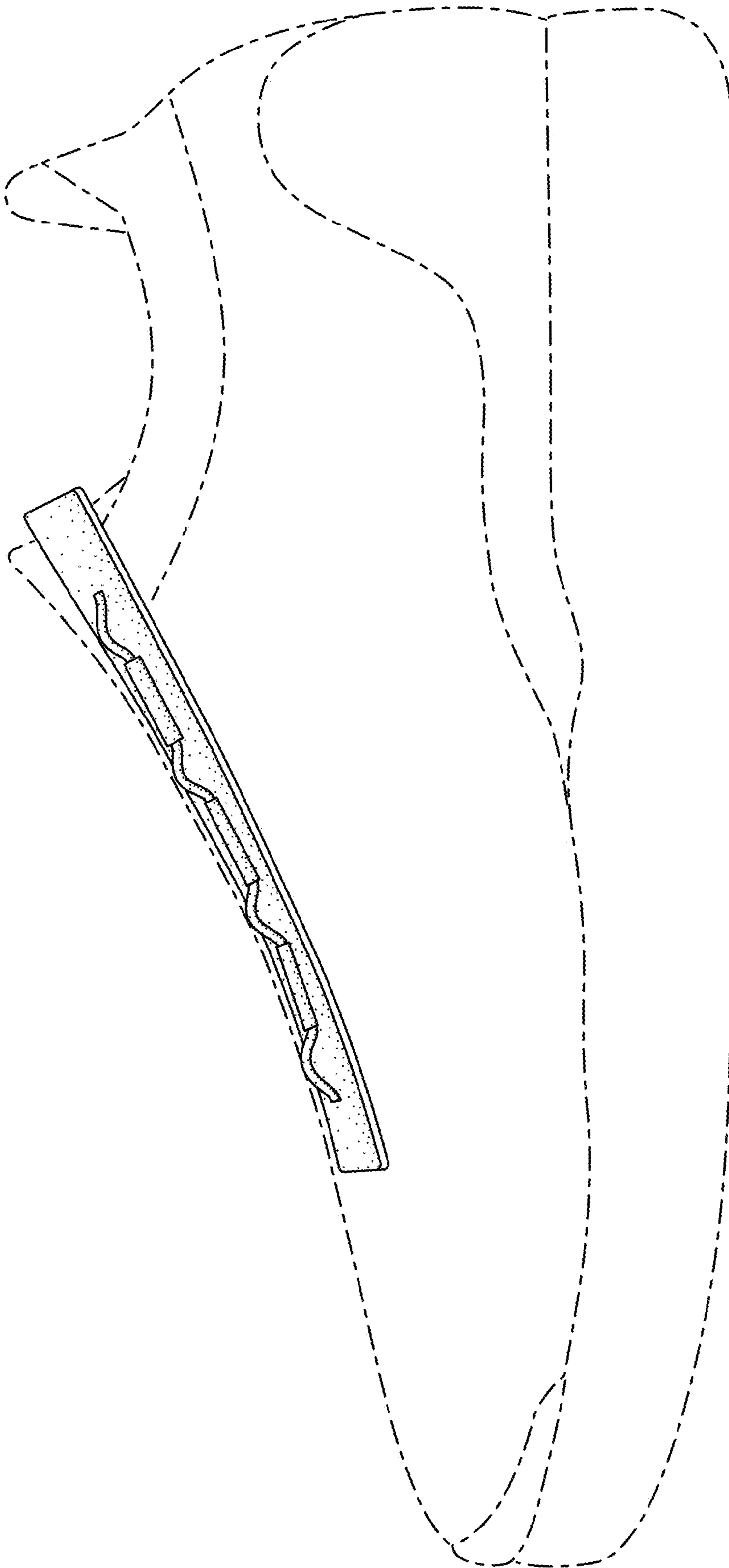


FIG. 4

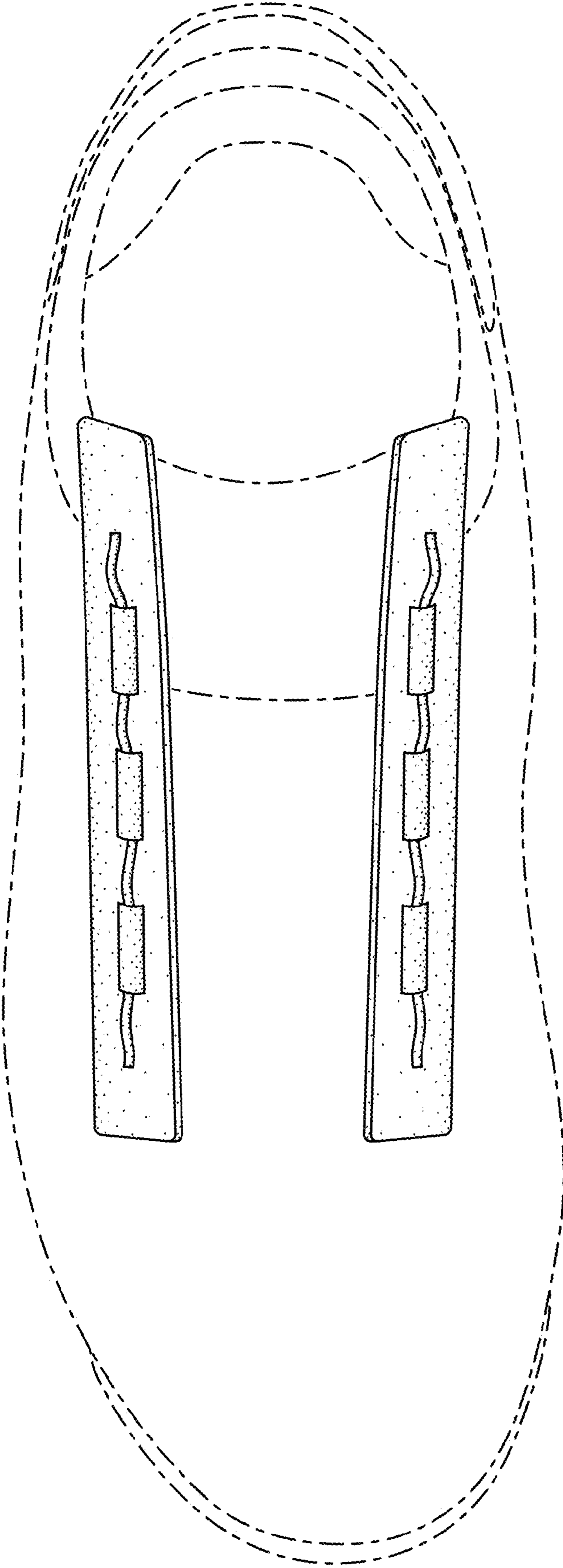


FIG. 5