



US00D964722S

(12) **United States Design Patent**
Amago

(10) **Patent No.:** **US D964,722 S**
(45) **Date of Patent:** **** Sep. 27, 2022**

- (54) **SHOE**
- (71) Applicant: **NIKE, Inc.**, Beaverton, OR (US)
- (72) Inventor: **Justin Amago**, Portland, OR (US)
- (73) Assignee: **NIKE, Inc.**, Beaverton, OR (US)
- (**) Term: **15 Years**
- (21) Appl. No.: **29/762,897**

D342,821 S *	1/1994	Avar	D2/969
D343,721 S *	2/1994	Van Dyke	D2/912
D345,244 S *	3/1994	Smith	D2/970
D347,310 S *	5/1994	Johnson	D2/969
D367,165 S *	2/1996	Brooks	D2/912
D368,798 S *	4/1996	Tong	D2/916
D369,898 S *	5/1996	Lozano	D2/971
D370,555 S *	6/1996	Tong	D2/971
D376,472 S *	12/1996	Hatfield	D2/976
D379,031 S *	5/1997	Hatfield	D2/969
D379,866 S *	6/1997	Jenkins	D2/916

(Continued)

- (22) Filed: **Dec. 18, 2020**
- (51) **LOC (13) Cl.** **02-04**
- (52) **U.S. Cl.**
USPC **D2/972**
- (58) **Field of Classification Search**
USPC D2/896, 900, 902, 904, 906-908,
D2/916-924, 925-945, 969-979
CPC A43B 1/00; A43B 1/02; A43B 1/04; A43B
3/00; A43B 3/02; A43B 3/06; A43B 3/10;
A43B 3/12; A43B 3/14; A43B 5/00;
A43B 5/001; A43B 5/002; A43B 5/008;
A43B 5/06; A43B 5/10; A43B 5/12;
A43B 23/00; A43B 23/02; A43B 23/04
See application file for complete search history.

(56) **References Cited**

U.S. PATENT DOCUMENTS

D298,882 S *	12/1988	Selbiger	D2/970
D300,282 S *	3/1989	Brown	D2/970
D307,350 S *	4/1990	Brown	D2/970
D308,746 S *	6/1990	McKinstry	D2/970
D321,084 S *	10/1991	Miller	D2/903
D322,505 S *	12/1991	Hatfield	D2/970
D325,812 S *	5/1992	Hatfield	D2/969
D328,517 S *	8/1992	Hallenbeck	D2/978
D333,032 S *	2/1993	Hatfield	D2/970
D337,872 S *	8/1993	Bevier	D2/969
D341,701 S *	11/1993	McDonald	D2/969

OTHER PUBLICATIONS

Nike Pegasus Trail 2, Nike.com, [online], [site visited Jun. 3, 2022],
<URL: <https://www.nike.com/t/pegasus-trail-2-mens-trail-running-shoe-JKj6Bj/CK4305-700>> (Year: 2022).*

Primary Examiner — Jonathan J Han

(74) *Attorney, Agent, or Firm* — Banner & Witcoff, Ltd.

(57) **CLAIM**

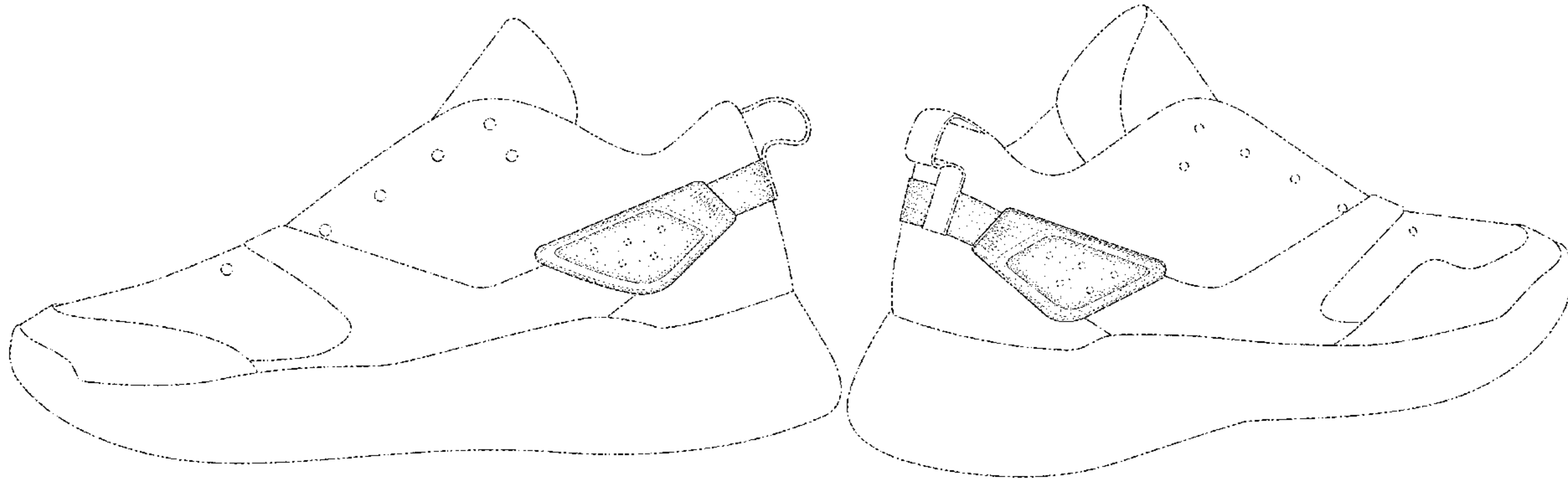
The ornamental design for a shoe, as shown and described.

DESCRIPTION

FIG. 1 is a side view of a shoe showing my new design;
FIG. 2 is a rear perspective view thereof;
FIG. 3 is a rear view thereof;
FIG. 4 is an opposite side rear perspective view thereof; and,
FIG. 5 is an opposite side view thereof.

The even-length broken lines represent stitching that forms no part of the claimed design. The broken line showing of the circular-shaped elements within the shaded area form no part of the claimed design. The uneven-length broken lines immediately adjacent to the shaded area define the bounds of the claimed design and form no part thereof. The uneven-length broken lines depicting the remainder of the shoe form no part of the claimed design.

1 Claim, 5 Drawing Sheets



(56)

References Cited

U.S. PATENT DOCUMENTS

D441,175	S	*	5/2001	Ritter	D2/907
D459,863	S	*	7/2002	Butler	D2/916
D460,245	S	*	7/2002	Butler	D2/916
D700,766	S	*	3/2014	Bramani	D2/902
D789,064	S		6/2017	Madore		
D844,966	S		4/2019	Amago		
D876,074	S	*	2/2020	Seamarks	D2/972
D908,338	S	*	1/2021	Amago	D2/972
D911,017	S	*	2/2021	Gerke	D2/973
D911,691	S	*	3/2021	Stefan	D2/969
D911,692	S	*	3/2021	Stefan	D2/969
D923,929	S	*	7/2021	Mateo	D2/972
D943,962	S	*	2/2022	Schultze	D2/972
D944,509	S	*	3/2022	Capron	D2/972
D948,860	S	*	4/2022	VanHook	D2/972

* cited by examiner

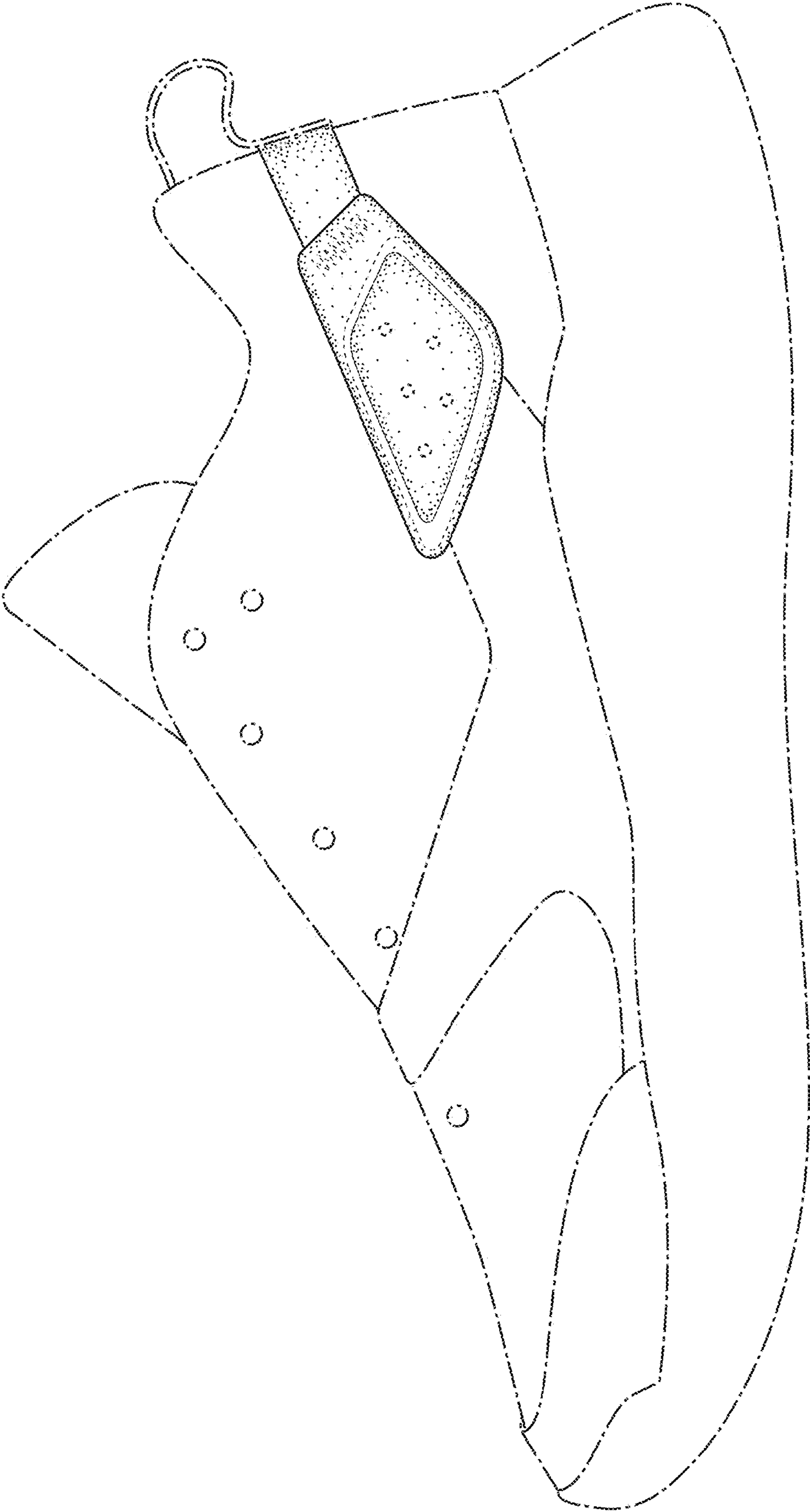


FIG. 1

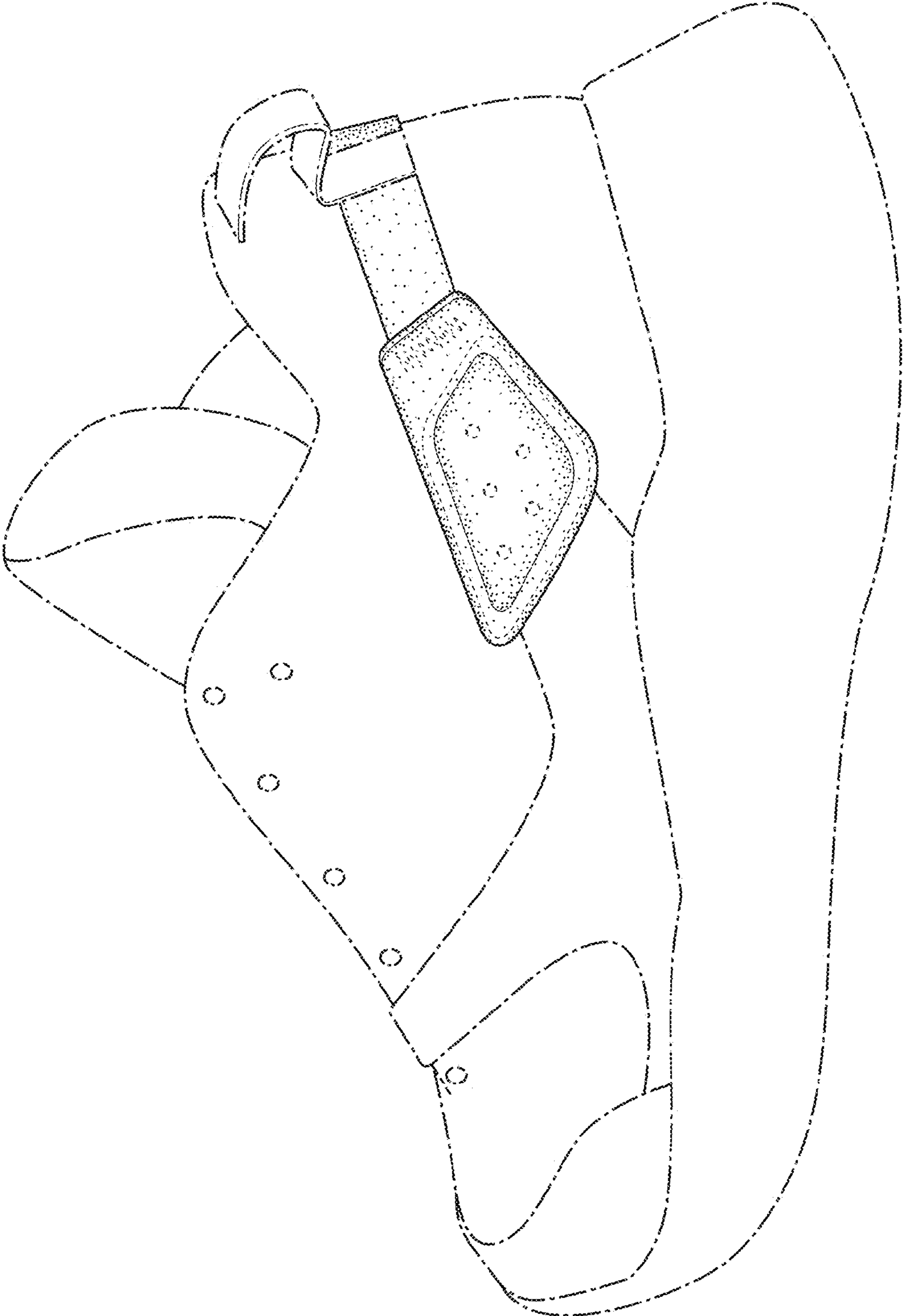


FIG. 2

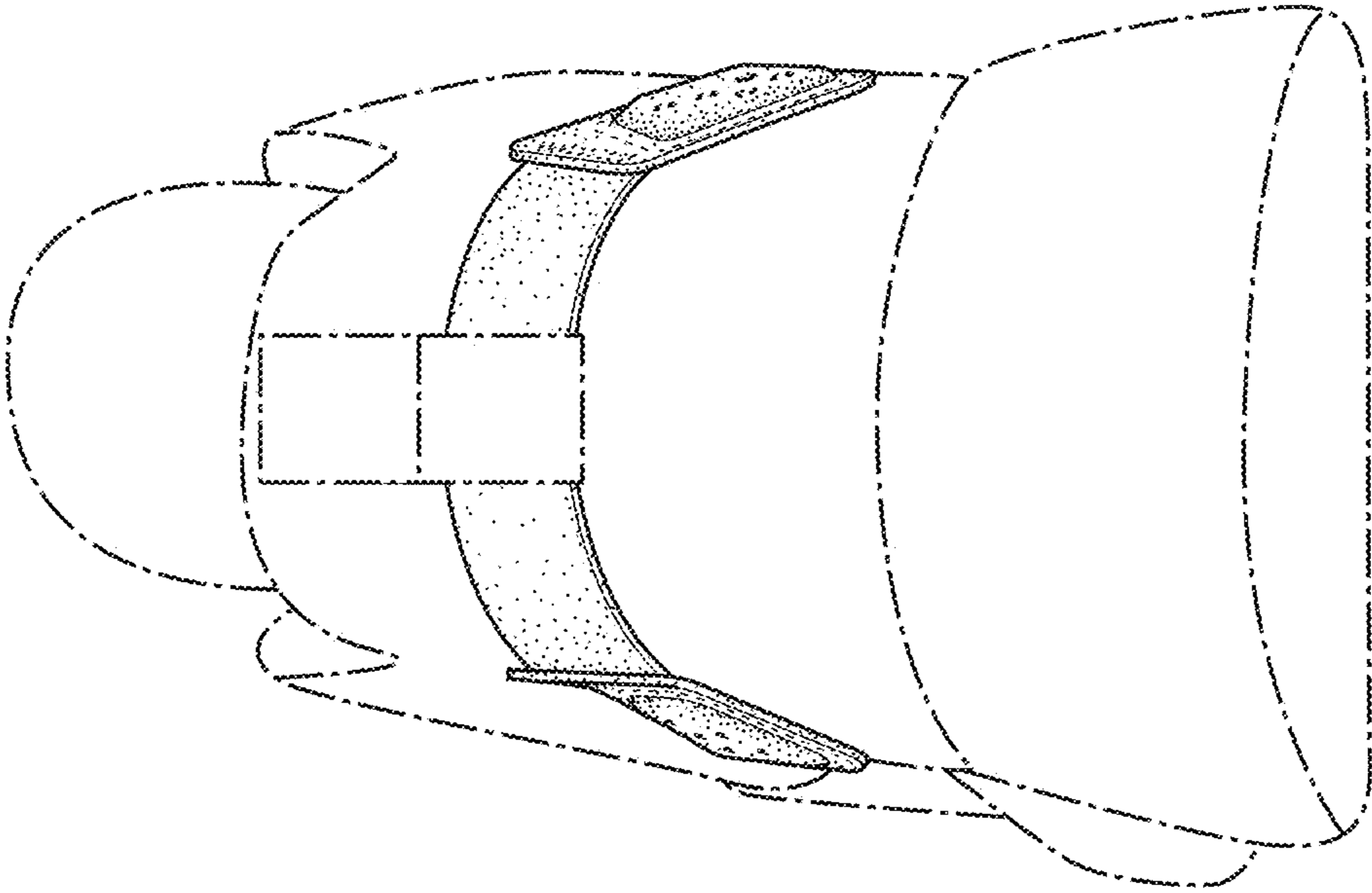


FIG. 3

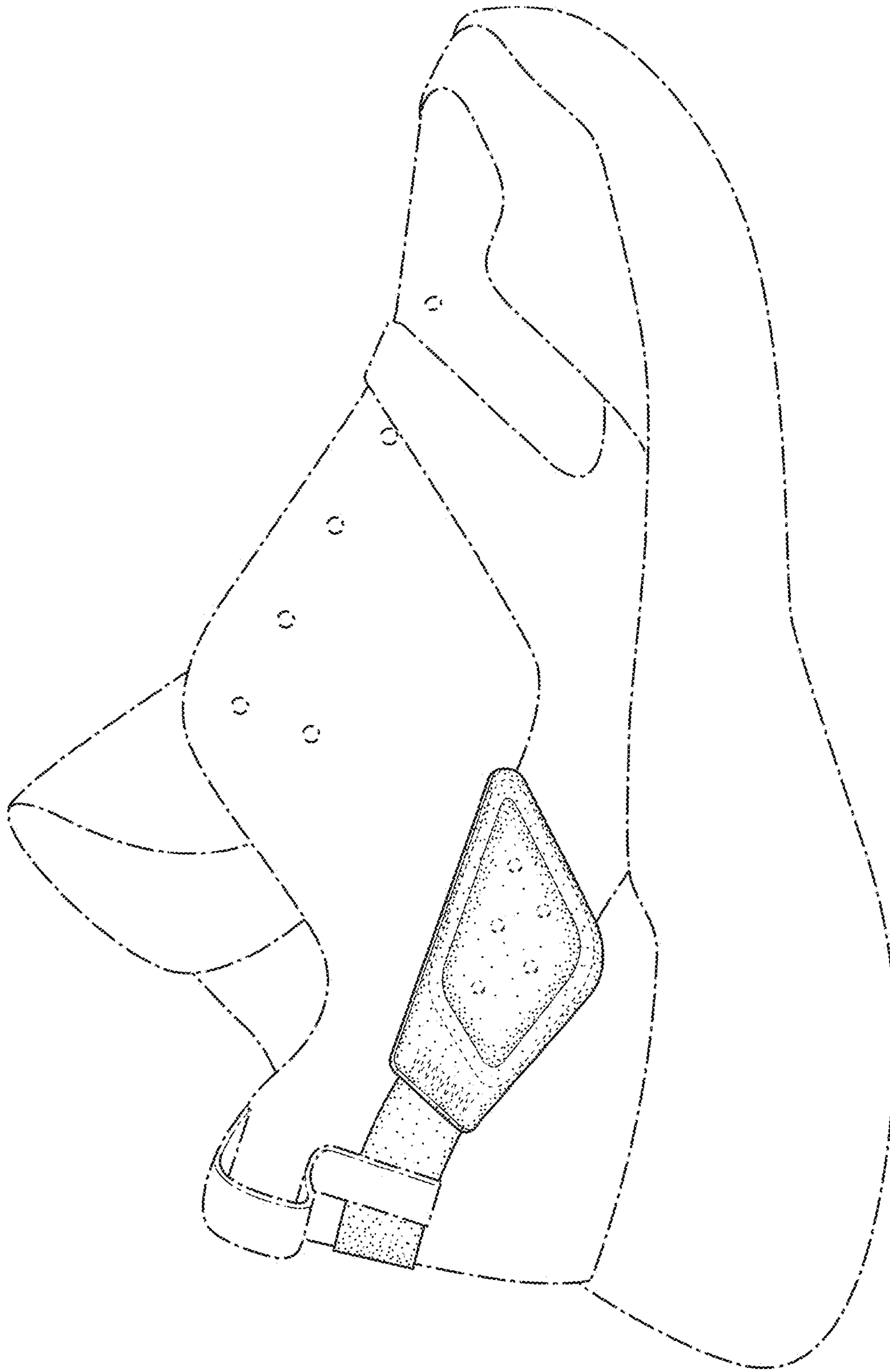


FIG. 4

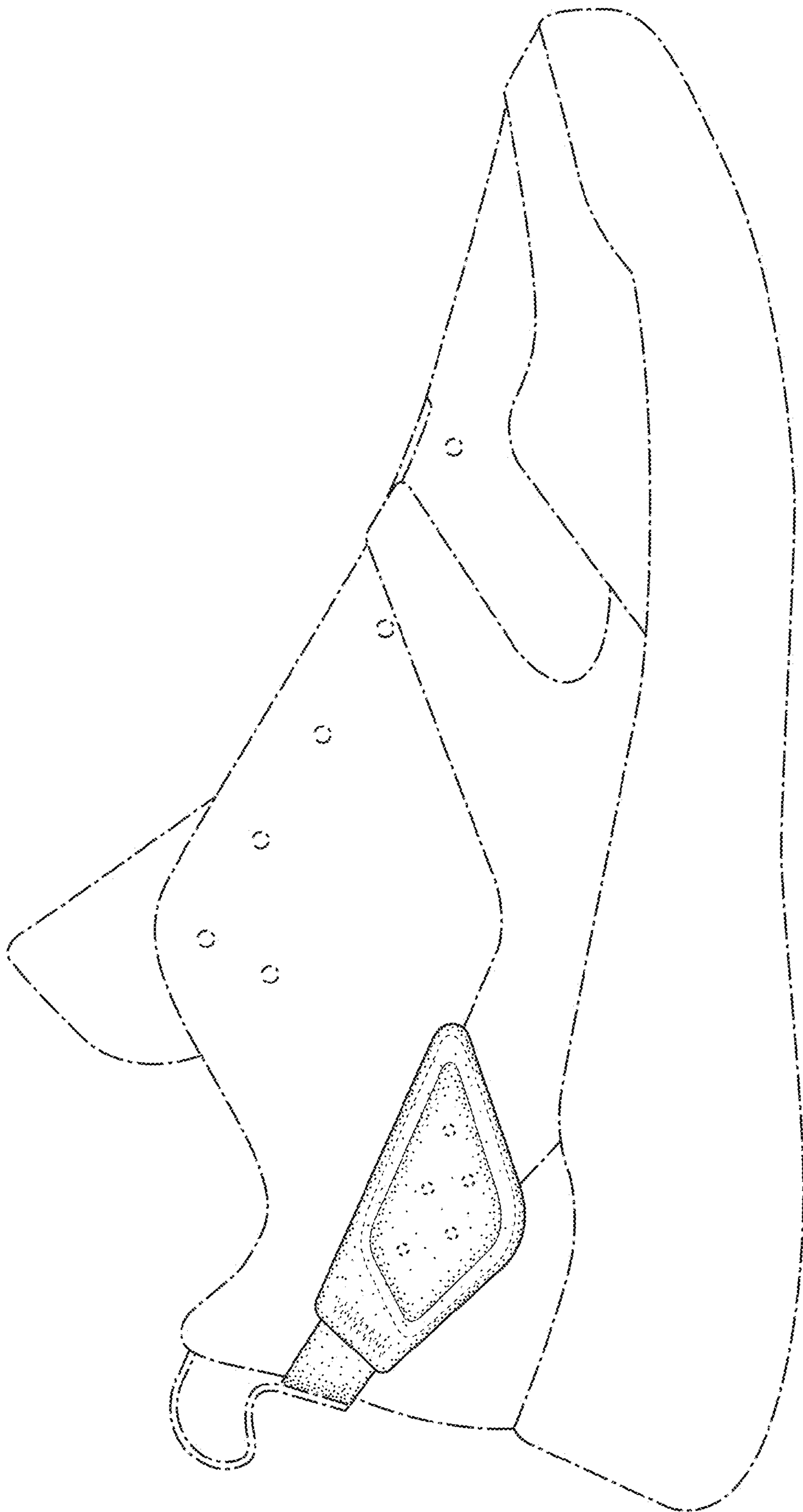


FIG. 5