

US00D964719S

(12) **United States Design Patent** (10) **Patent No.:** **US D964,719 S**
Pu (45) **Date of Patent:** **** Sep. 27, 2022**

(54) **HIGH HEEL**
(71) Applicant: **Chengdu Aimei Fashion Trading Co., Ltd.**, Chengdu (CN)
(72) Inventor: **Wenbin Pu**, Chengdu (CN)
(**) Term: **15 Years**
(21) Appl. No.: **29/787,628**
(22) Filed: **Jun. 8, 2021**
(51) **LOC (13) Cl.** **02-04**
(52) **U.S. Cl.**
USPC **D2/966; D2/965; D2/976**
(58) **Field of Classification Search**
USPC D2/896, 925, 926, 929-933, 935, 939, D2/946, 964, 965, 966, 968, 976; D11/40, 75, 76, 79, 86, 89, 90, 91, 200, D11/222, 202
CPC A43B 1/00; A43B 1/10; A43B 1/12; A43B 1/14; A43B 23/24; A43B 21/00; A43B 21/02; A43B 21/04; A43B 21/06; A43B 21/08; A43B 21/18; A43B 21/20; A43B 21/025; A43B 21/24; A43B 21/54
See application file for complete search history.

3,086,302 A * 4/1963 Sultan A43B 21/00 D2/966
D199,388 S * 10/1964 Yutokuso D2/966
3,200,518 A * 8/1965 Rasmussen A43B 21/36 D2/966
3,514,879 A * 6/1970 Frattallone A43B 21/46 D2/966
D513,860 S * 1/2006 Choi D2/976
D530,076 S * 10/2006 Choi D2/976
D530,240 S * 10/2006 Kelsey D2/978
D532,596 S * 11/2006 Choi D2/976
D539,522 S * 4/2007 Lawler D2/976
D540,533 S * 4/2007 Choi D2/976
D542,020 S * 5/2007 Choi D2/976
D562,718 S * 2/2008 Wong D11/40
D563,638 S * 3/2008 Guers-Neyraud D2/966
D577,479 S * 9/2008 Weitzman D2/939
D580,642 S * 11/2008 Guers-Neyraud D2/966
D580,643 S * 11/2008 Guers-Neyraud D2/966
D580,648 S * 11/2008 Choi D2/976
D632,469 S * 2/2011 Guers-Neyraud D2/966
D715,527 S * 10/2014 Goldman D2/976

(Continued)

Primary Examiner — Elizabeth J Oswecki

(57) **CLAIM**

The ornamental design for a high heel, as shown and described.

DESCRIPTION

FIG. 1 is a perspective view of a high heel showing my new design;
FIG. 2 is a left side view thereof;
FIG. 3 is a right side view thereof;
FIG. 4 is a front view thereof;
FIG. 5 is a right side view thereof;
FIG. 6 is a top view thereof; and,
FIG. 7 is a bottom view thereof.
The broken lines shown in the drawings depict portions of the high heel in which the design is embodied that form no part of the claimed design.

1 Claim, 7 Drawing Sheets

(56) **References Cited**

U.S. PATENT DOCUMENTS

D99,701 S * 5/1936 Calderazzo D2/965
D121,193 S * 6/1940 Nutt 36/34 R
2,328,319 A * 8/1943 Barton A43B 21/00 36/34 A
D174,355 S * 3/1955 Simon D2/966
2,925,671 A * 2/1960 Del Giudice A43B 21/00 D2/966
2,934,840 A * 5/1960 Mistarz A43B 21/437 D2/966
D190,221 S * 5/1961 Fabian 36/76 R
D194,204 S * 12/1962 Taicher D2/966



(56)

References Cited

U.S. PATENT DOCUMENTS

D717,036	S	*	11/2014	Palmer	D2/898
D724,303	S	*	3/2015	Manasra	D2/966
D743,683	S	*	11/2015	Flowers	D2/965
D744,220	S	*	12/2015	Slimane	D2/966
D826,086	S	*	8/2018	Della Valle	D11/230
D858,069	S		9/2019	Kim		
D858,971	S		9/2019	Kim		
D874,117	S		2/2020	Dunbar et al.		
D885,039	S	*	5/2020	Andrews	D2/971
D888,397	S	*	6/2020	Andrews	D2/971
10,681,960	B2	*	6/2020	Leiber	A43B 21/48
D893,140	S	*	8/2020	Felloni	A44B 11/00
						D2/939
D902,597	S	*	11/2020	Amat	D3/322
D905,963	S	*	12/2020	Amat	D3/322
D919,975	S	*	5/2021	Amat	D11/43
D935,778	S	*	11/2021	Cardenas	D2/639
D943,261	S	*	2/2022	Viti	D2/966
D945,143	S	*	3/2022	Casadei	D2/976
2011/0162236	A1	*	7/2011	Voskuil	A43B 3/0078
						24/713.6
2015/0296932	A1	*	10/2015	Escobar	A44C 9/00
						63/15

* cited by examiner



FIG. 1

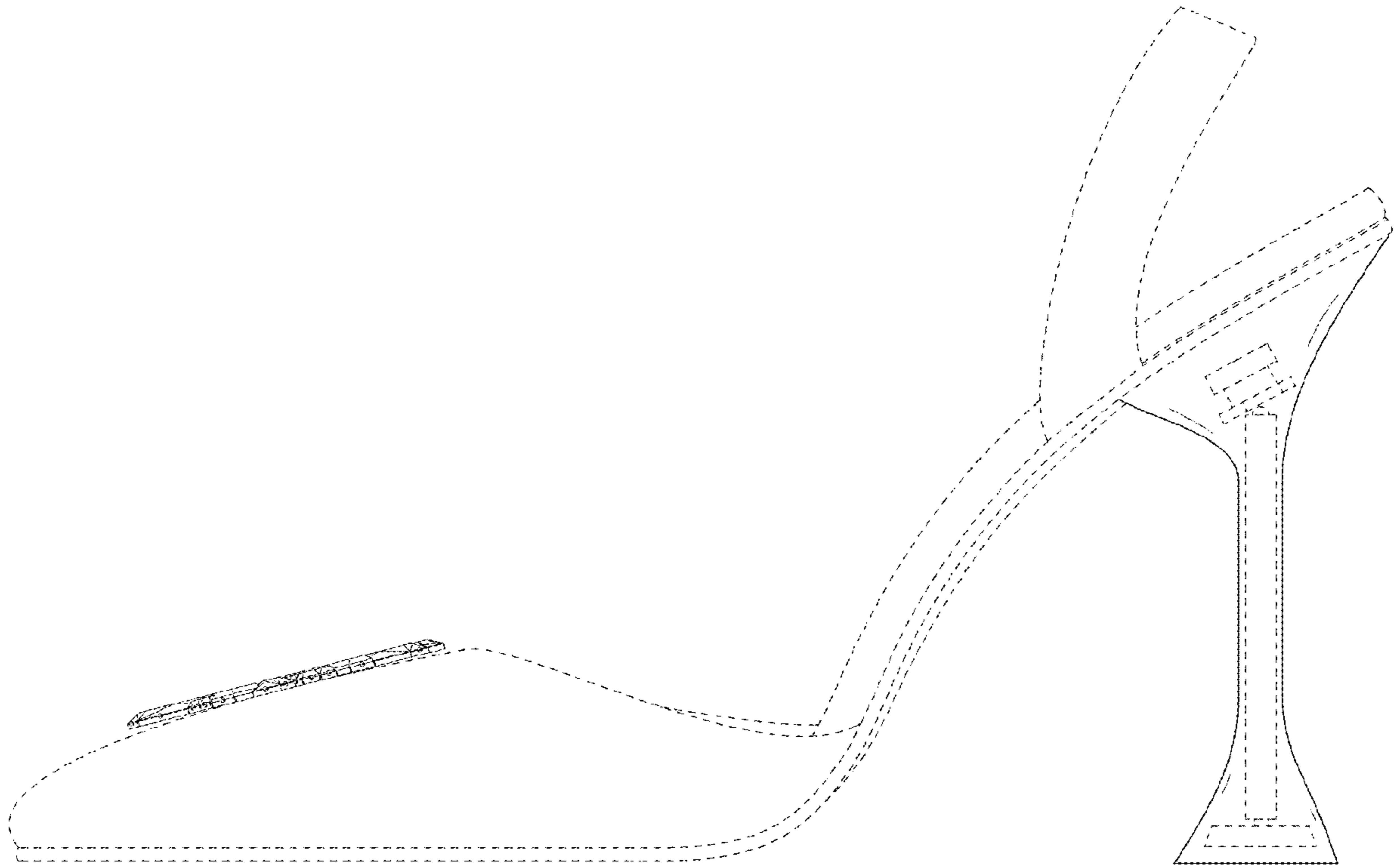


FIG. 2

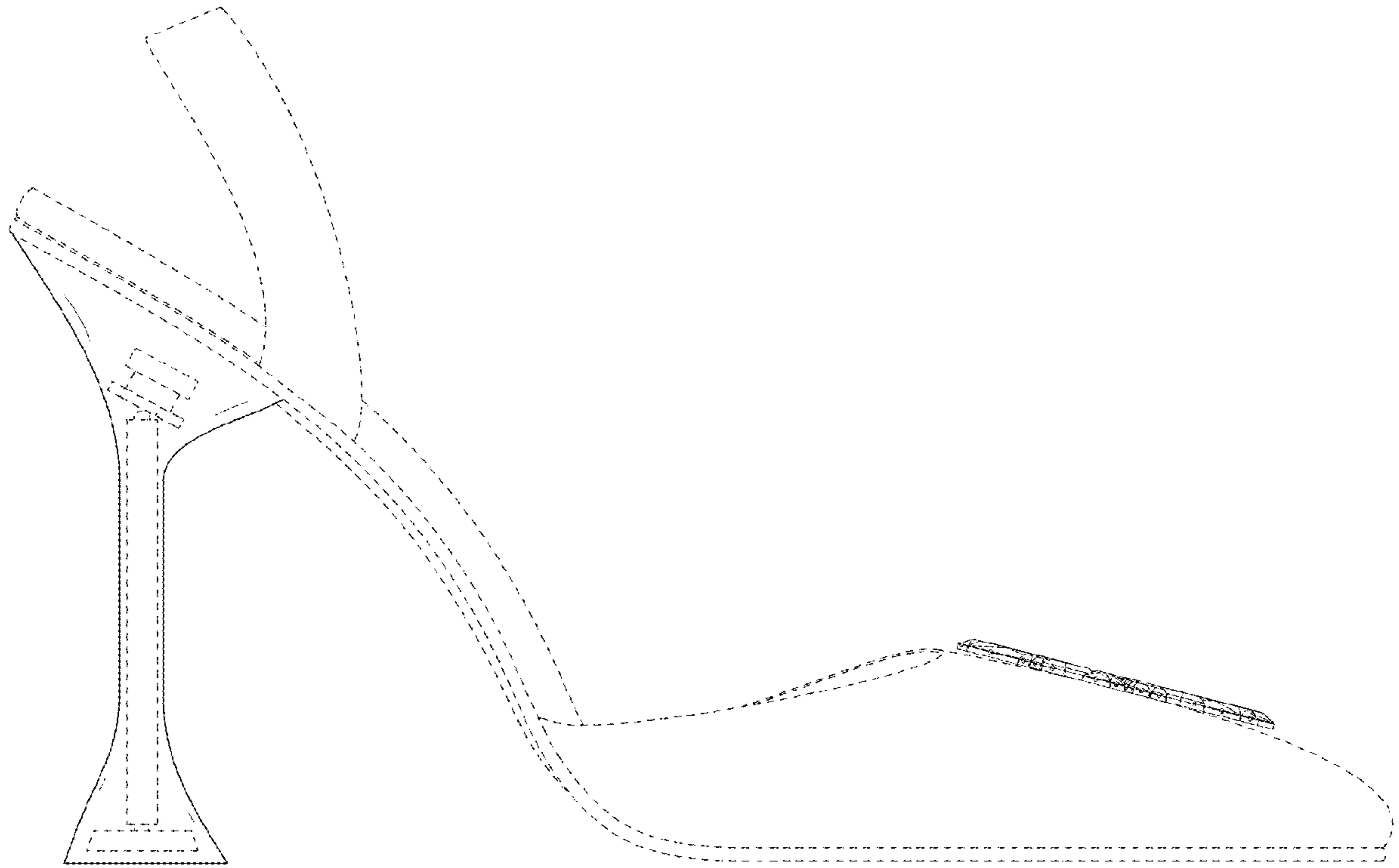


FIG. 3

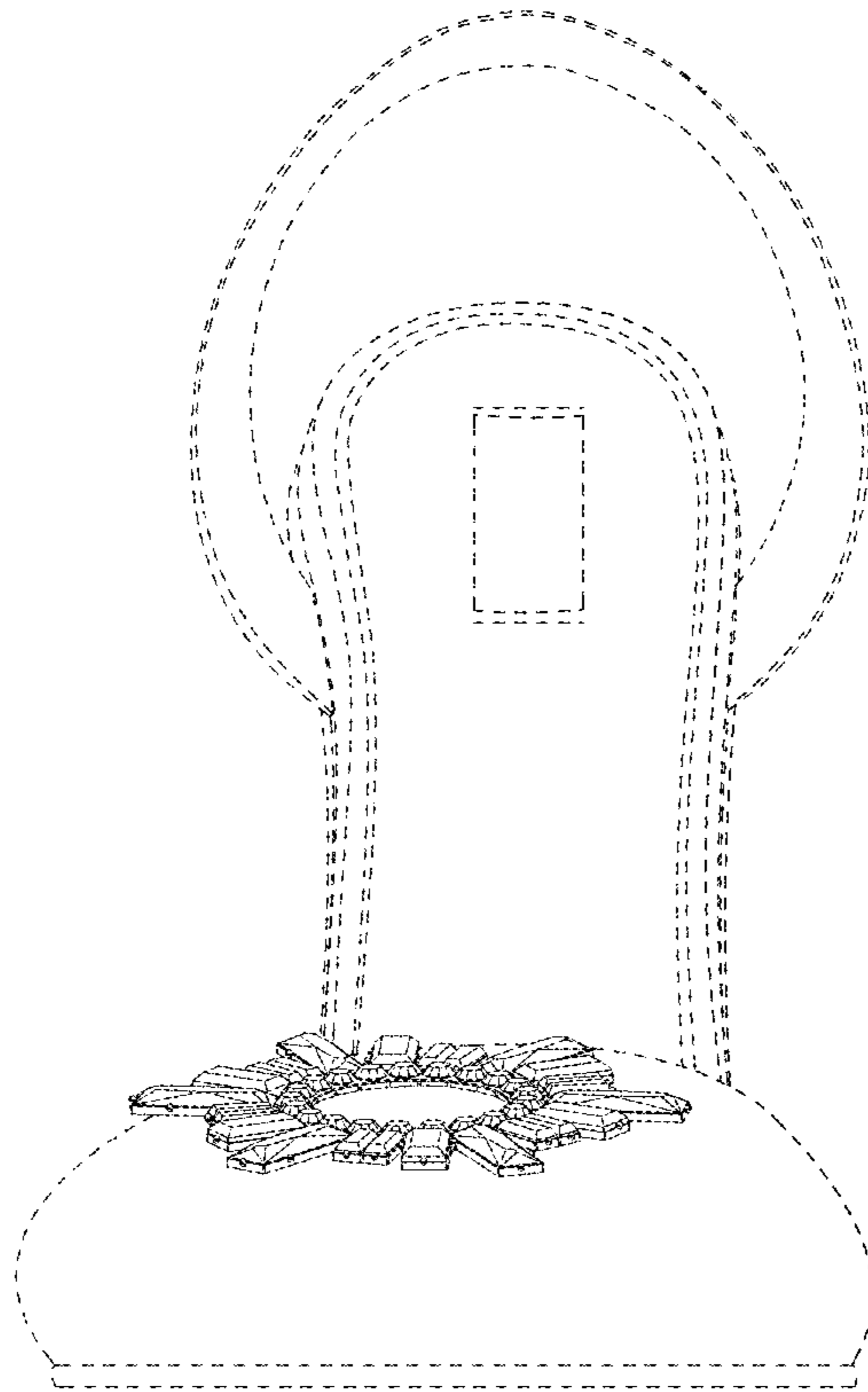


FIG. 4

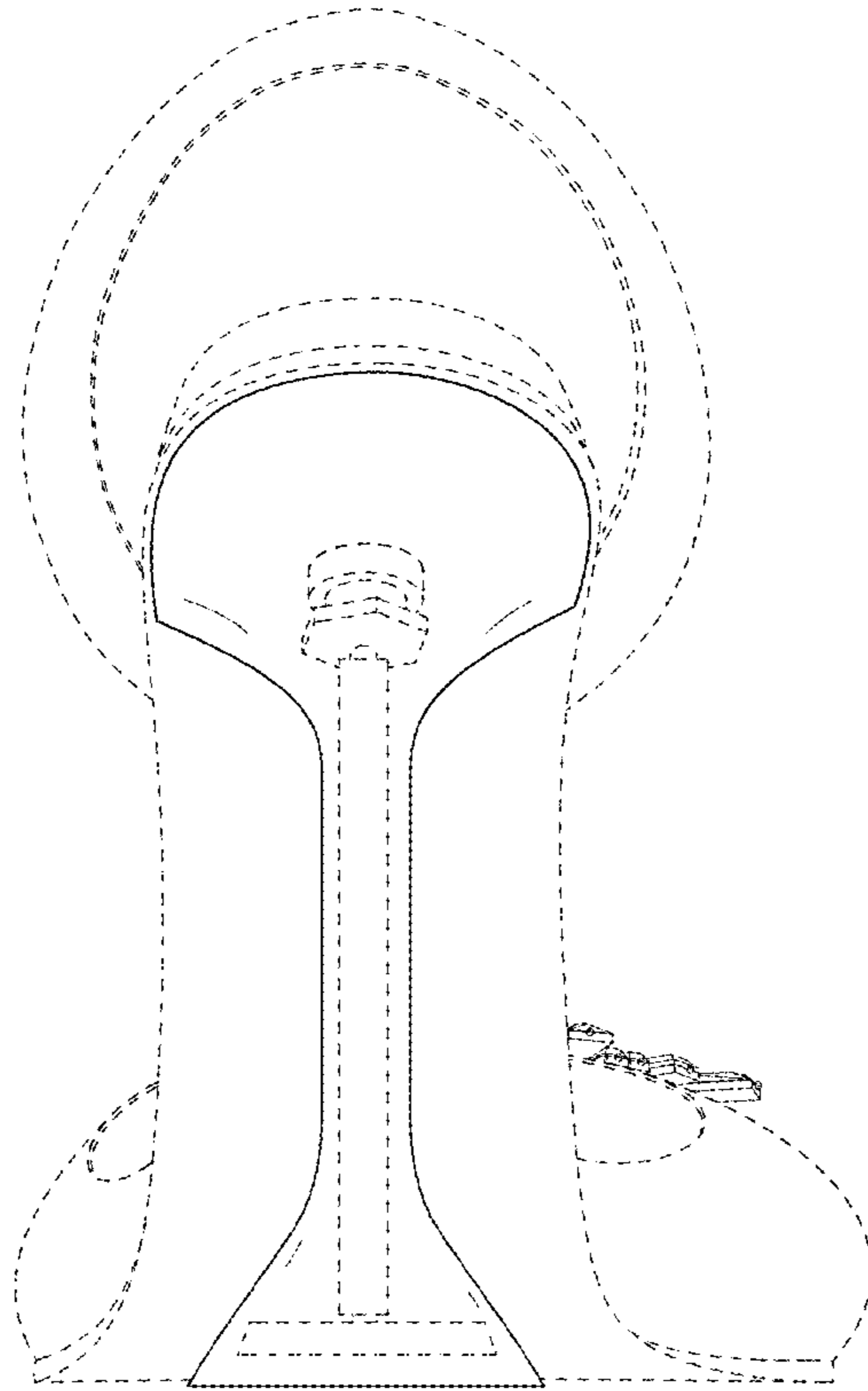


FIG. 5

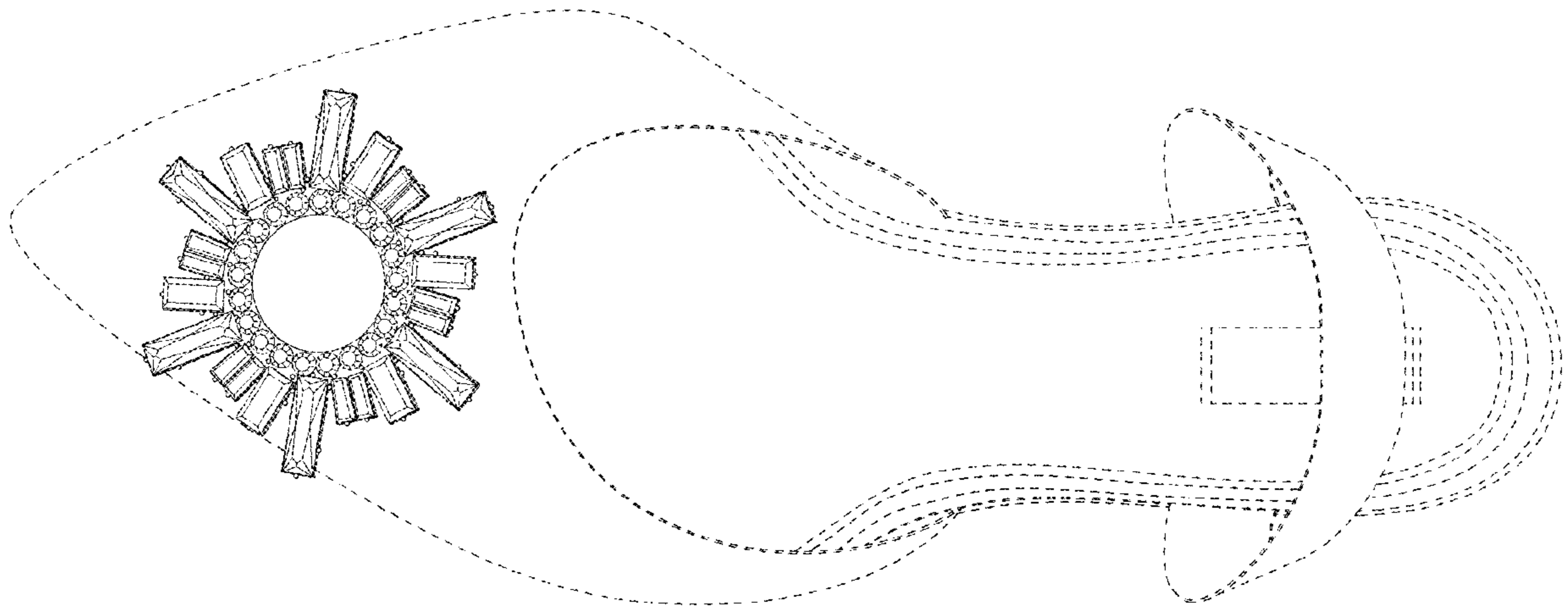


FIG. 6

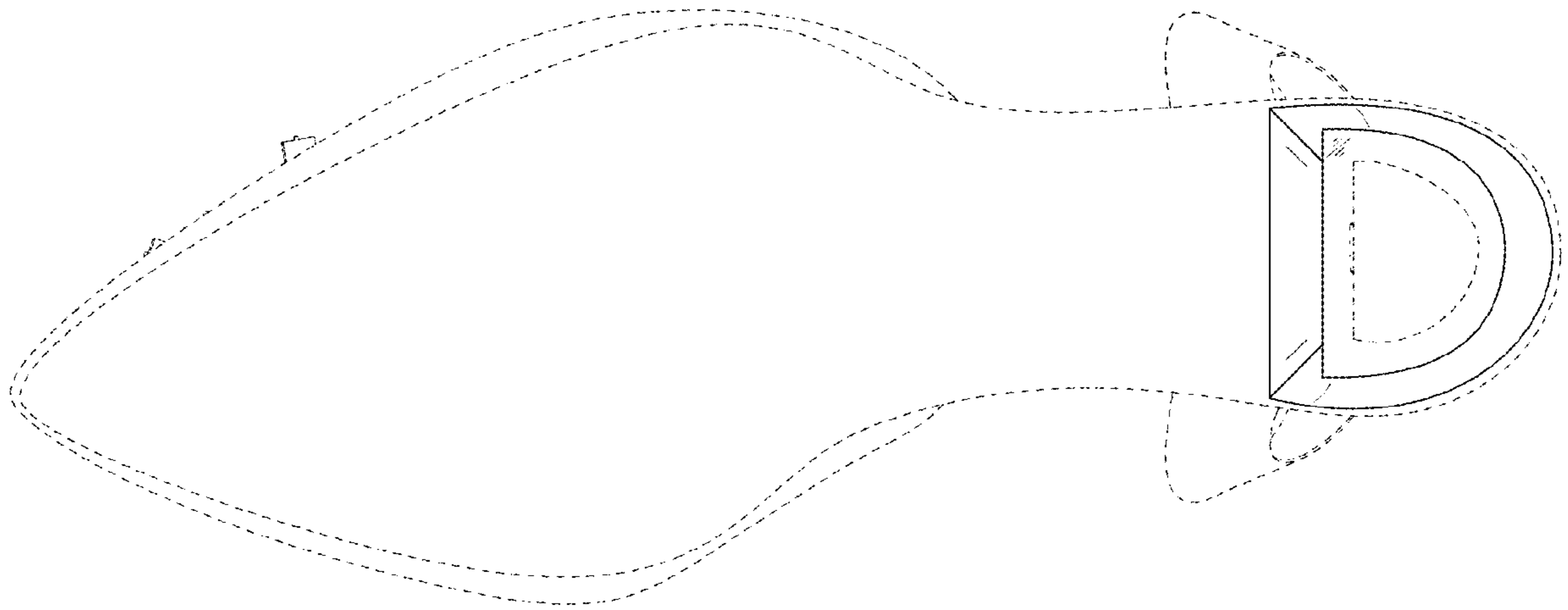


FIG. 7