



US00D964718S

(12) **United States Design Patent** (10) **Patent No.:** **US D964,718 S**
Savio et al. (45) **Date of Patent:** **** *Sep. 27, 2022**

(54) **MID-SOLE CLEAT**

- (71) Applicant: **Geroline Inc.**, Fonthill (CA)
- (72) Inventors: **John Savio**, Fonthill (CA); **Greg McCandless**, Fonthill (CA)
- (73) Assignee: **Geroline, Inc.**, Fonthill (CA)
- (*) Notice: This patent is subject to a terminal disclaimer.
- (**) Term: **15 Years**
- (21) Appl. No.: **29/667,469**
- (22) Filed: **Oct. 22, 2018**

Related U.S. Application Data

- (60) Continuation of application No. 29/627,578, filed on Nov. 28, 2017, now Pat. No. Des. 831,320, which is a division of application No. 29/576,119, filed on Aug. 31, 2016, now Pat. No. Des. 807,005.

(30) **Foreign Application Priority Data**

Jul. 6, 2016 (CA) CA 169322
 Jul. 6, 2016 (CA) CA 169323

- (51) **LOC (13) Cl.** **02-04**

(52) **U.S. Cl.**

USPC **D2/962**

(58) **Field of Classification Search**

USPC D2/906, 962, 946, 947, 954, 960, 959,
 D2/624, 627, 62; D21/768, 771
 CPC A43C 15/06; A43C 15/161; A43C 15/063;
 A43C 15/065; A43C 15/02; A43C
 15/061; A43C 15/066; A43C 15/068;
 A43C 15/08

See application file for complete search history.

(56) **References Cited**

U.S. PATENT DOCUMENTS

36,866 A 11/1862 Starr
 156,094 A 10/1874 Lemmon
 905,510 A 12/1908 Frautschi, Jr.

(Continued)

FOREIGN PATENT DOCUMENTS

CA 169322 * 2/2017
 CA 169323 * 2/2017

OTHER PUBLICATIONS

Amazon Geroline K1 Mid Sole Ice Cleats, Nov. 7, 2017, [online], [site visited Dec. 30, 2021]. Retrieved from url:https://www.amazon.com/Geroline-K1-Mid-Sole-Ice-Cleats/dp/B07777TLSZ1 (Year: 2017).*

(Continued)

Primary Examiner — Tracey J Bell

(74) *Attorney, Agent, or Firm* — Andrus Intellectual Property Law, LLP

(57) **CLAIM**

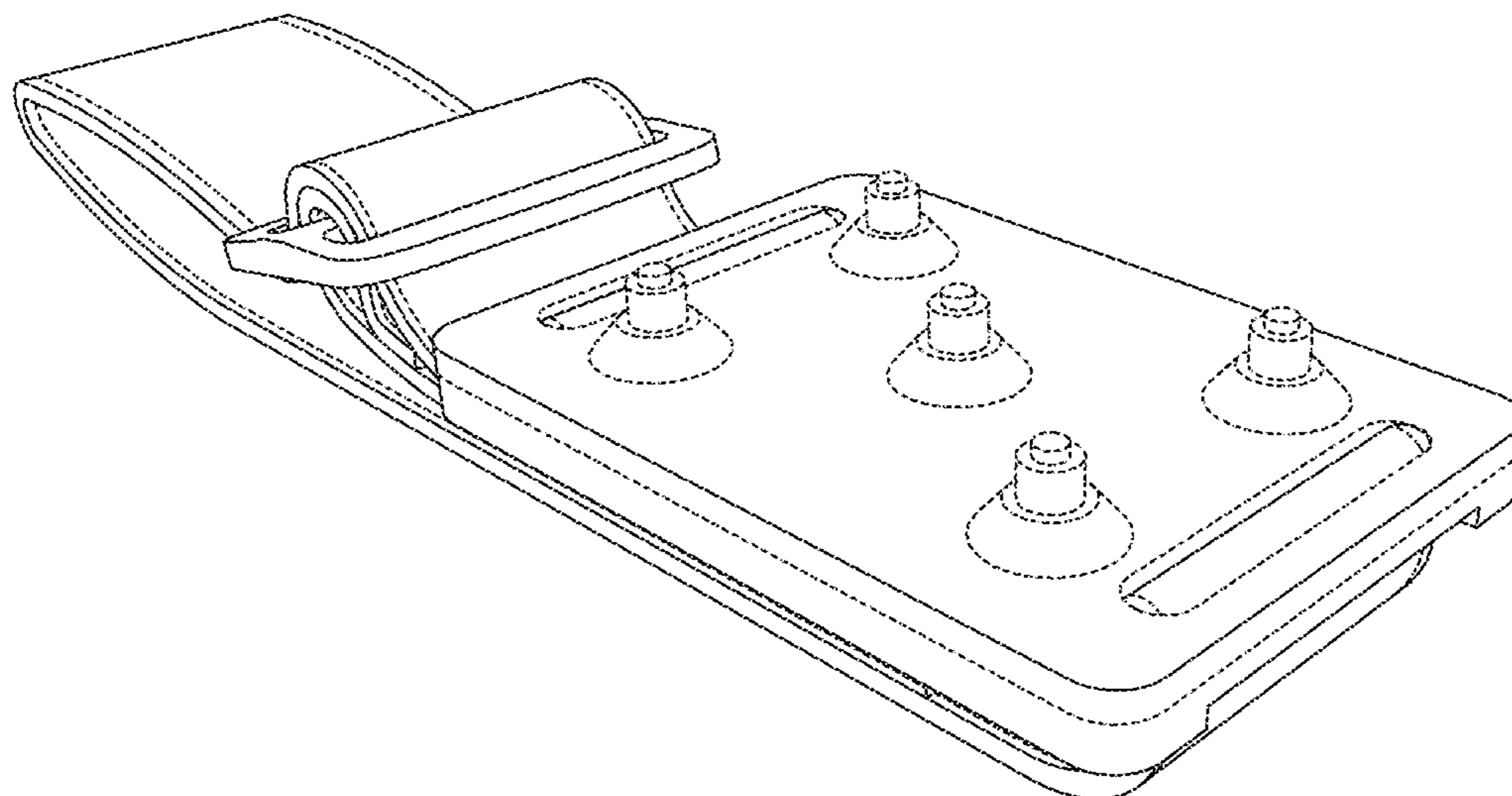
The ornamental design for a mid-sole cleat, as shown and described.

DESCRIPTION

FIG. 1 is a perspective view of a mid-sole cleat;
 FIG. 2 is a top view thereof;
 FIG. 3 is a side view thereof;
 FIG. 4 is a bottom view thereof;
 FIG. 5 is a front view thereof; and,
 FIG. 6 is a back view thereof.
 FIG. 7 is a perspective view of another embodiment of a mid-sole cleat;
 FIG. 8 is a top view thereof;
 FIG. 9 is a side view thereof;
 FIG. 10 is a bottom view thereof;
 FIG. 11 is a front view thereof; and,
 FIG. 12 is a back view thereof.

The dashed lines show portions of the mid-sole cleat that form no part of the claimed design.

1 Claim, 6 Drawing Sheets



(56)

References Cited

U.S. PATENT DOCUMENTS

1,032,600 A 7/1912 Grout
 1,275,917 A 8/1918 Herman
 2,006,802 A 7/1935 Goodman
 2,045,066 A 6/1936 Bower
 2,179,178 A 11/1939 Helmer
 2,208,200 A 7/1940 Sloan
 2,296,660 A 9/1942 Bowman
 2,313,316 A 3/1943 Block
 2,366,649 A 1/1945 Priess
 2,401,891 A 6/1946 Smith
 2,431,748 A 12/1947 Tony
 2,438,193 A 3/1948 Wayne
 2,636,175 A 4/1953 Hoffman
 2,658,289 A 11/1953 Schrieber
 3,691,659 A 9/1972 Nakajima
 3,838,528 A 10/1974 Johnson
 4,005,533 A 2/1977 Anderson et al.
 D259,297 S * 5/1981 Carey D2/962
 D261,945 S * 11/1981 Carey D2/962
 D262,157 S 12/1981 Kinchen et al.
 D336,559 S 6/1993 Carmichael
 5,485,687 A 1/1996 Rohde
 D373,167 S * 8/1996 Santos D2/962
 6,434,859 B1 8/2002 Kim

8,371,045 B2 2/2013 Tambay
 D790,172 S 6/2017 Hatfield
 D807,005 S 1/2018 Savio
 D831,320 S * 10/2018 Savio D2/962
 D843,099 S * 3/2019 Bunch D2/962
 D879,443 S * 3/2020 Fridgen D2/962
 2011/0083344 A1 4/2011 Tambay
 2017/0251765 A1 9/2017 Romeril

OTHER PUBLICATIONS

Amazon Impacto Ice Cleats, Sep. 4, 2020, [online], [site visited Dec. 20, 2021]. Retrieved from url:https://www.amazon.com/Ice-Cleats-Mid-Sole-Coverage-Pull/dp/B08HJGS5ZP/ref=sr_1_78?crd=2MFK2643IBEDT&keywords=ice+cleats&qid=1640888421&sprefix=ice+cleats%2Caps%2C117&sr=8-78 (Year: 2020).*

1 Pair 2017 New Durable Anti Slip Snow Ice Climbing Spikes, Jun. 19, 2017, [online], [site visited Aug. 26, 2017]. Retrieved from url:<https://www.aliexpress.com/item/Winter-5-studs-Snow-Anti-Slip-ice-crampons-Mens-Ice-Snow-Crampons-Shoes-snow-walker-for/32802916137.html?spm=2114.search0302.4.40.1clbun>.

K1 Midsole—Industrial Commercial model of innovative, new ice Cleat, Jul. 27, 2016, [online], [site visited Sep. 7, 2017]. Retrieved from url:<https://www.youtube.com/watch?v=mmnrwnQYlaw>.

* cited by examiner

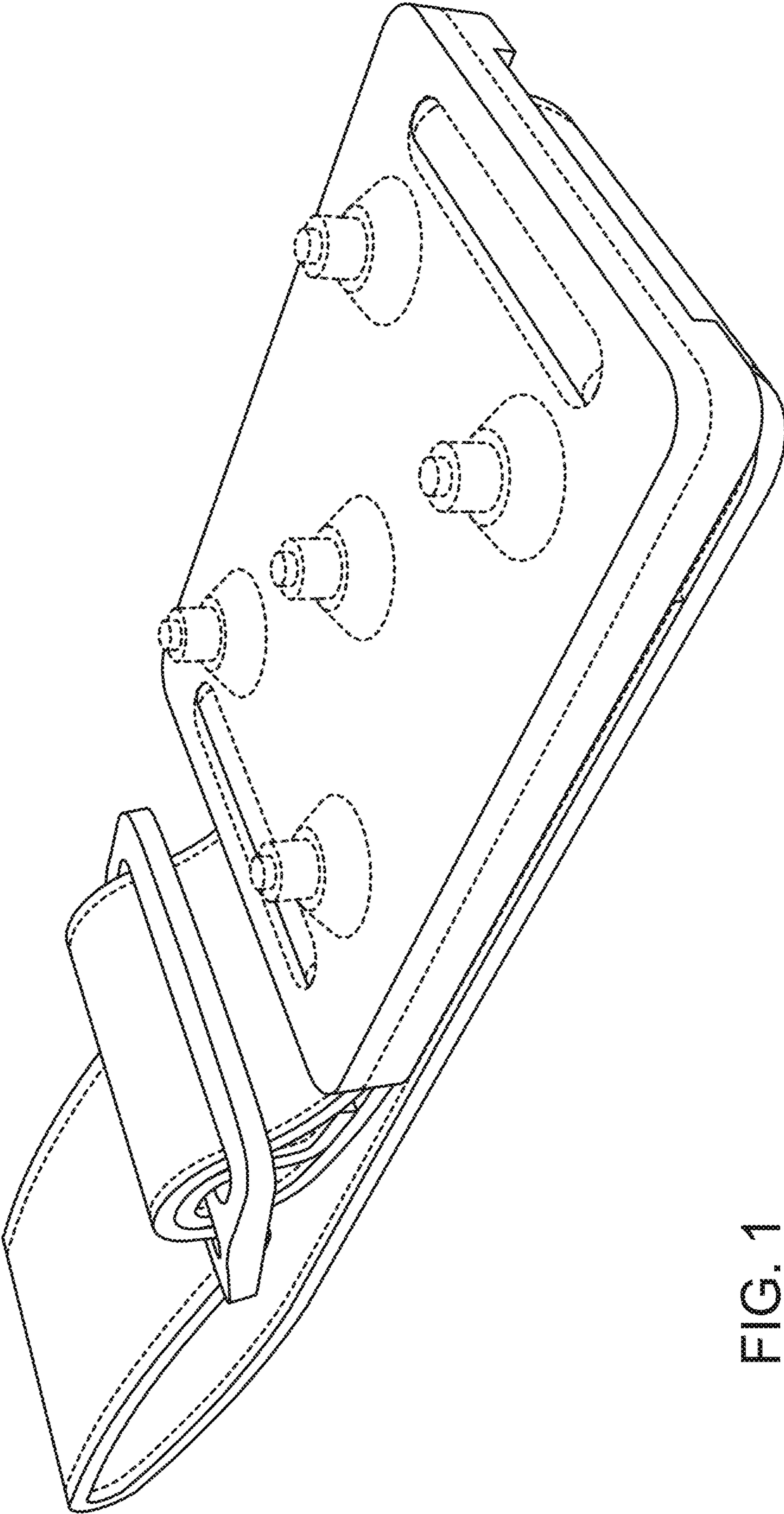


FIG. 1

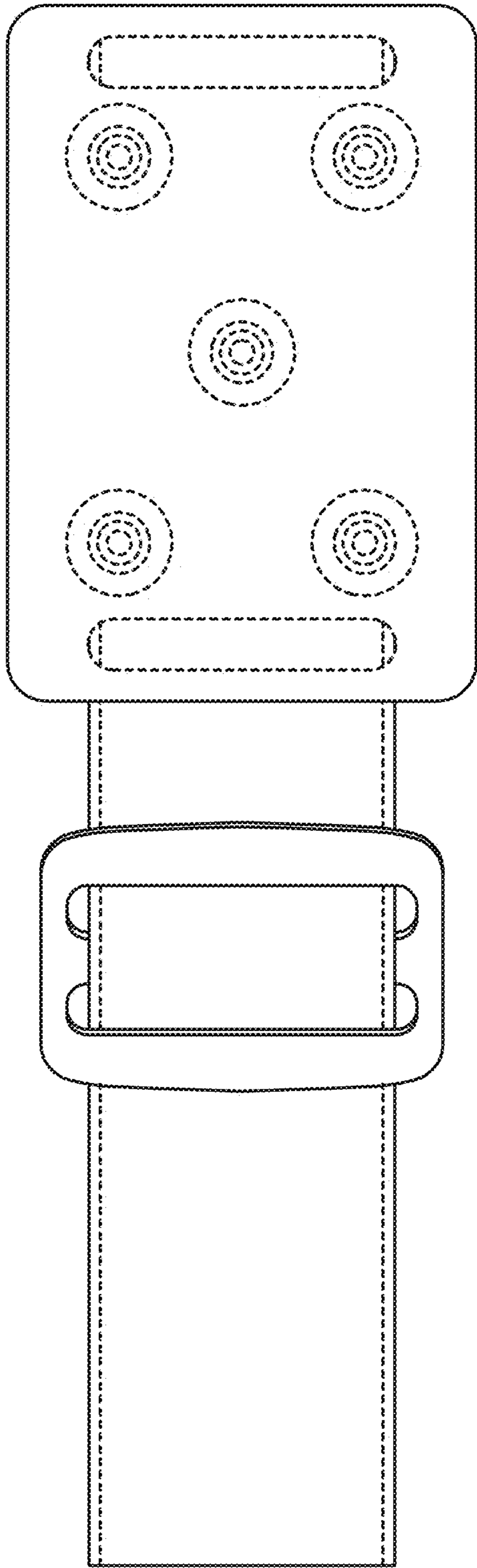


FIG. 2

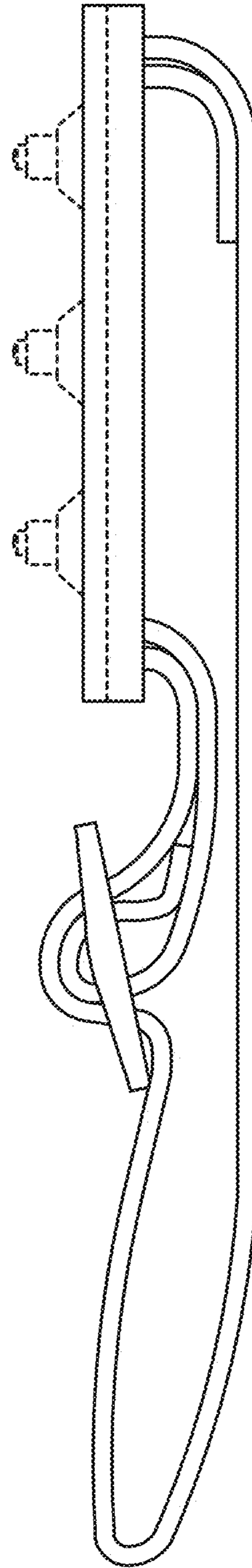


FIG. 3

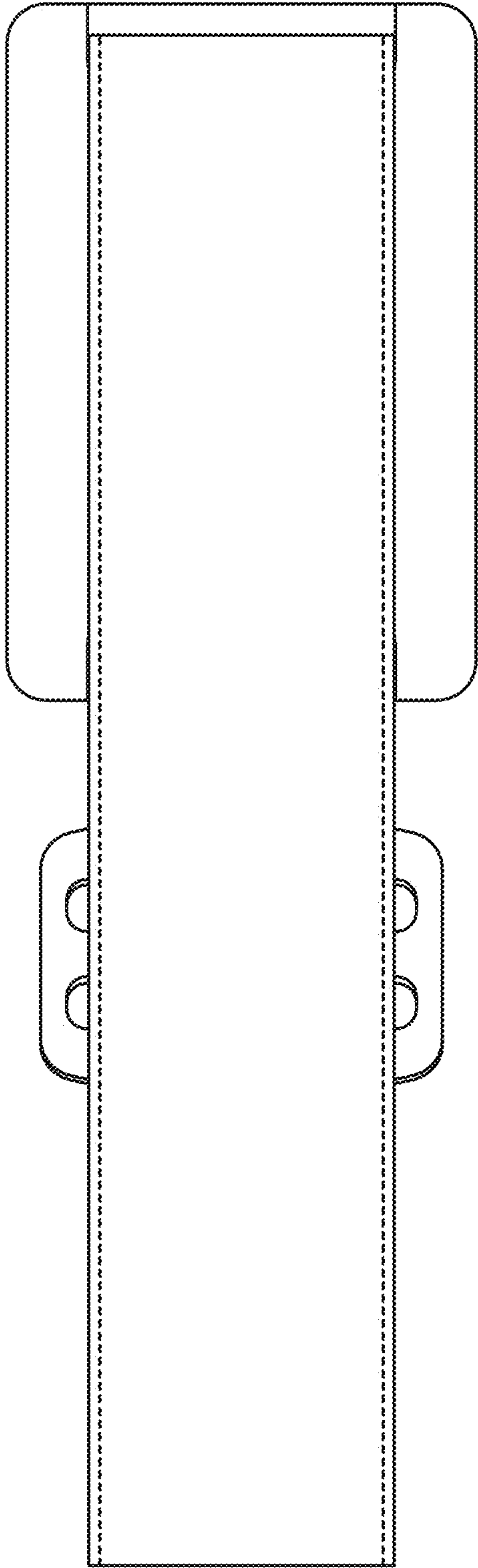


FIG. 4

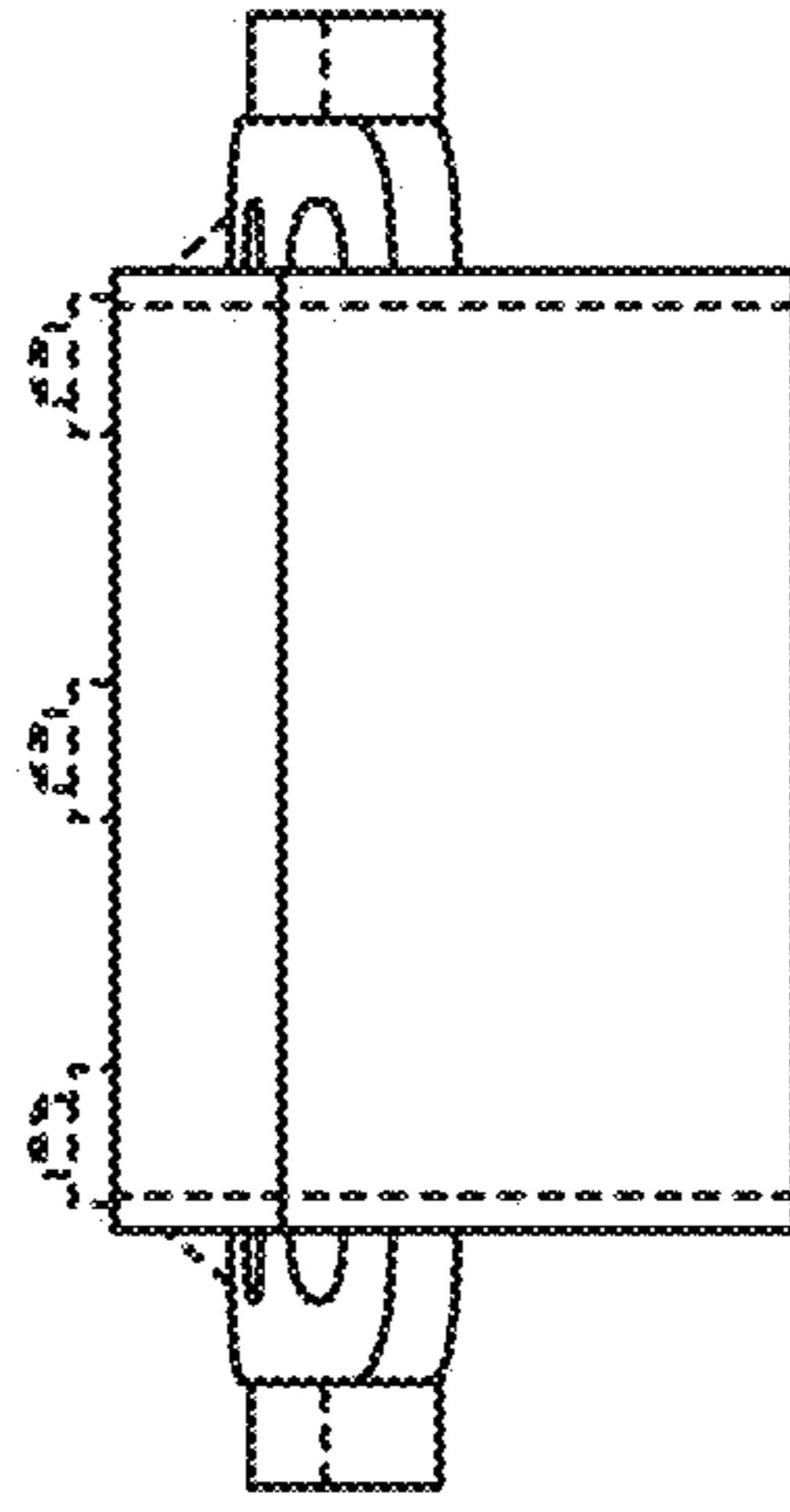


FIG. 6

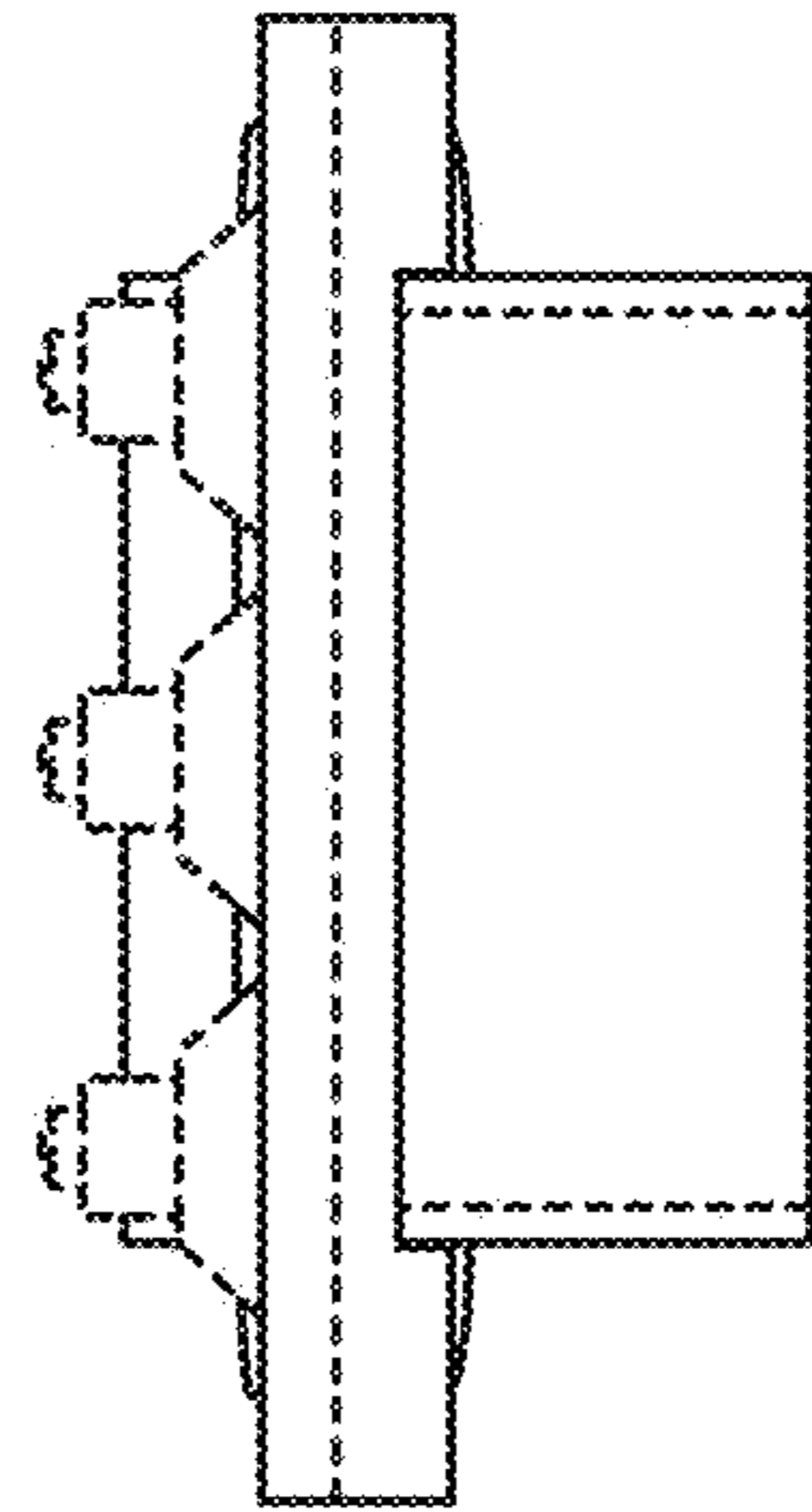


FIG. 5

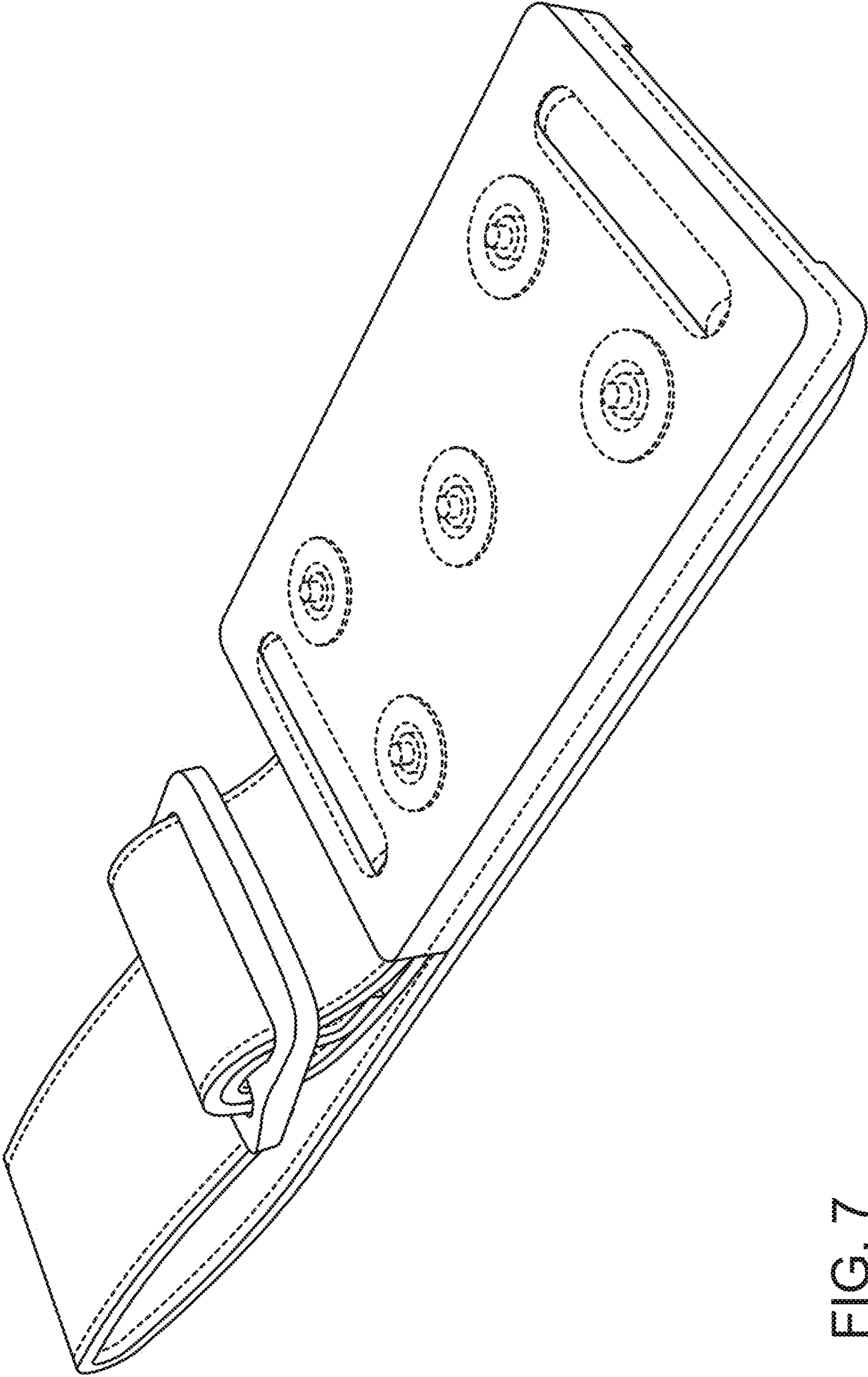


FIG. 7

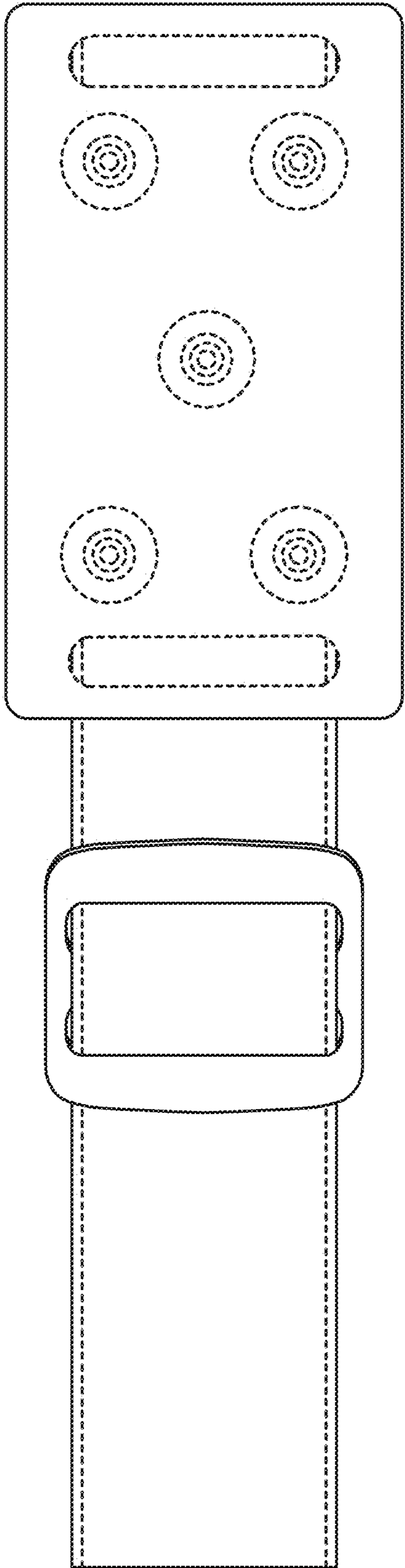


FIG. 8

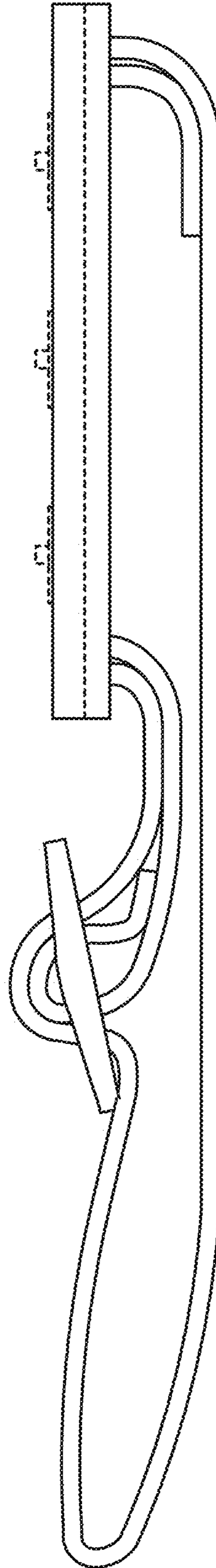


FIG. 9

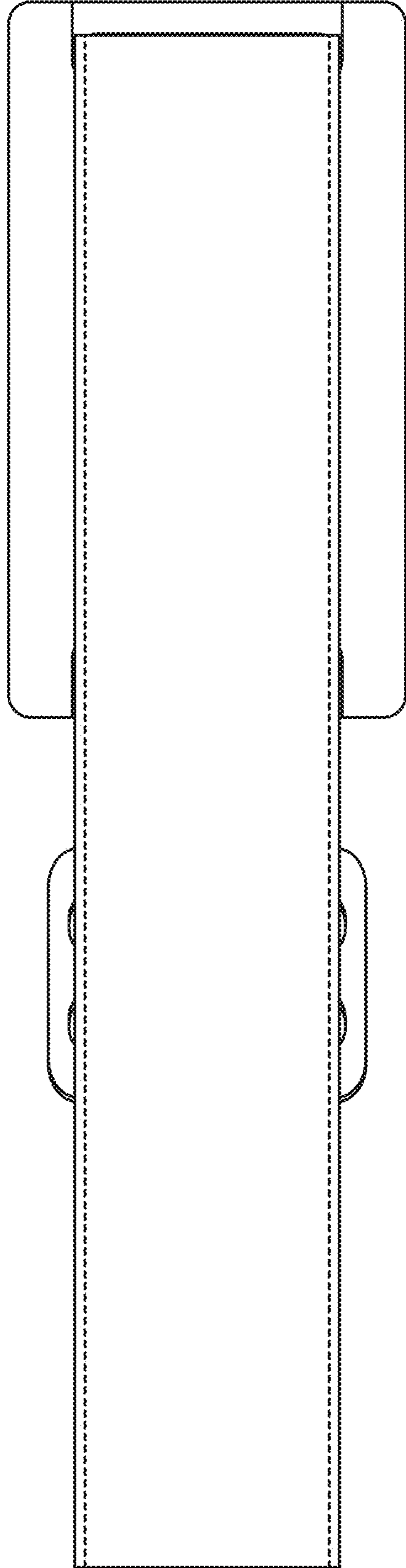


FIG. 10

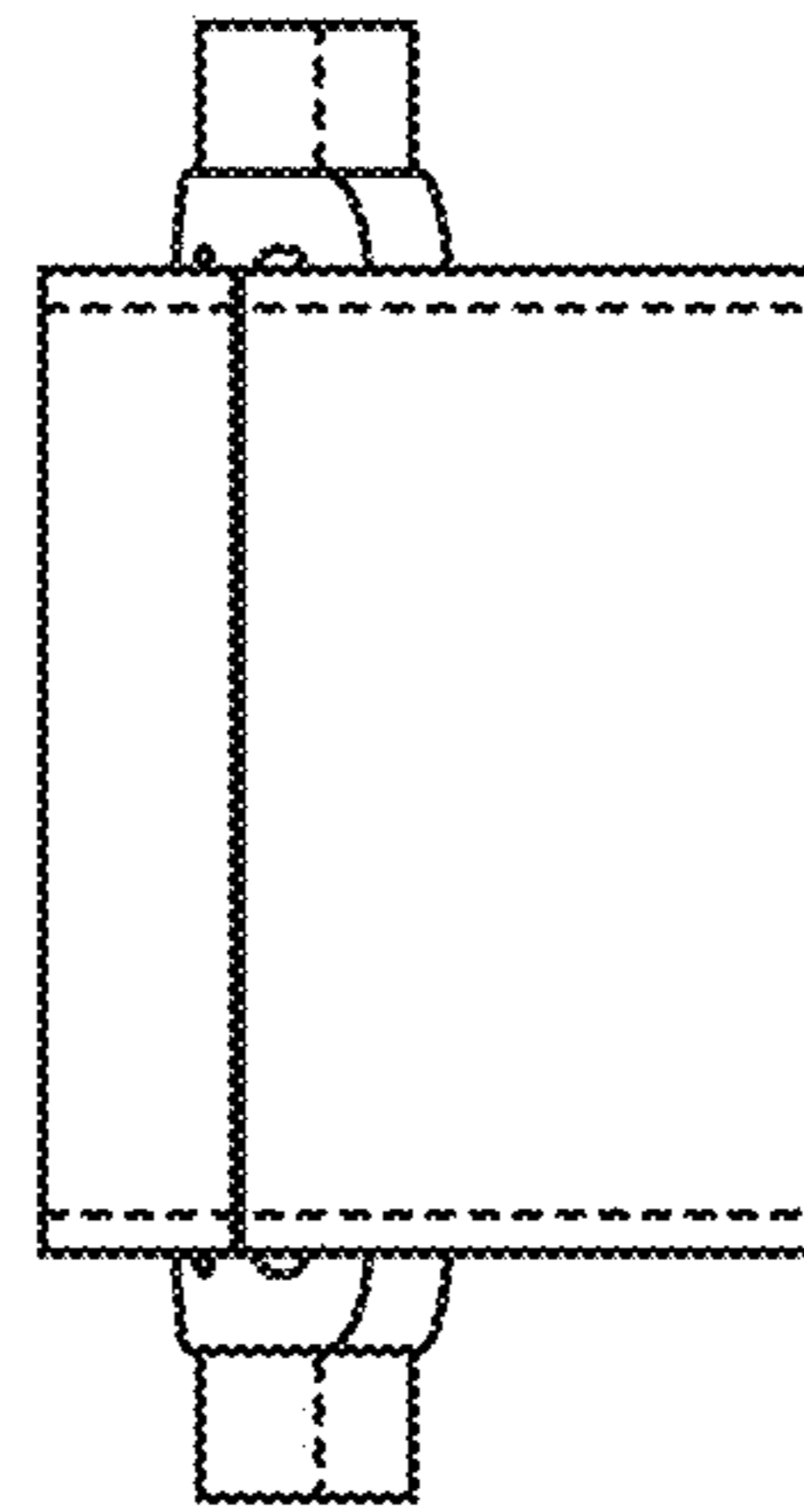


FIG. 11

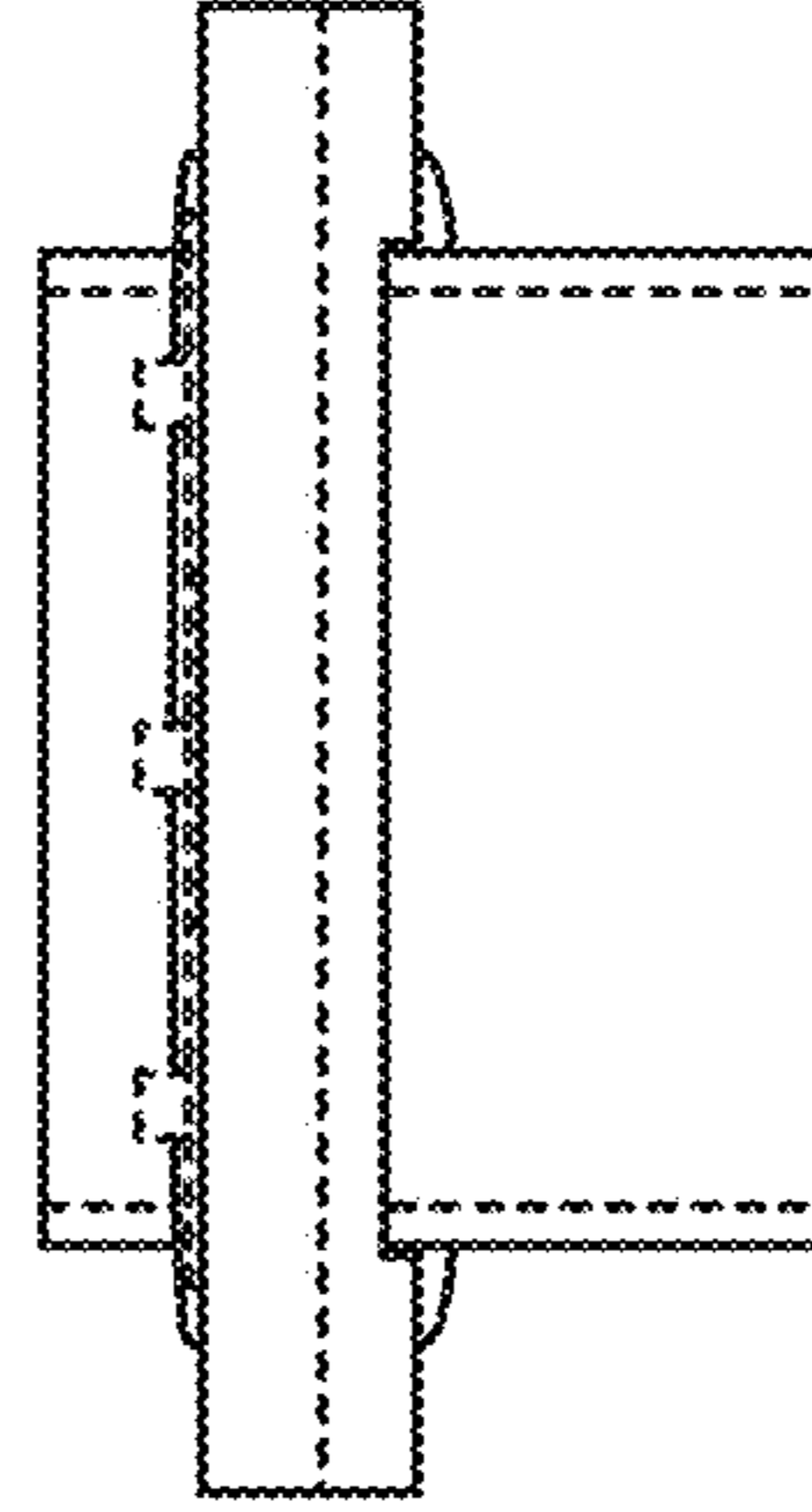


FIG. 12