



US00D964686S

(12) **United States Design Patent** (10) **Patent No.:** **US D964,686 S**
Koo (45) **Date of Patent:** **** Sep. 27, 2022**

(54) **DRY PET FOOD** D700,457 S * 3/2014 Meyer D6/592
8,776,729 B2 * 7/2014 Koo A23K 40/25
119/710
(71) Applicant: **FORCANS Inc.**, Gyeonggi-do (KR) D713,474 S * 9/2014 Roberson D21/501
D749,292 S * 2/2016 Peniche D1/199
(72) Inventor: **Bon Gil Koo**, Gyeonggi-do (KR) D801,622 S * 11/2017 Koo D1/120
D802,058 S * 11/2017 Ishaque D21/501
(73) Assignee: **FORCANS INC.**, Gyeonggi-do (KR) D859,783 S * 9/2019 Koo D1/122
D868,418 S * 12/2019 Koo D1/125
(**) Term: **15 Years** D918,526 S * 5/2021 Cody D1/100
D929,696 S * 9/2021 Burger D1/100
(21) Appl. No.: **29/833,561** 2004/0121699 A1 * 6/2004 Ladner A63H 33/082
446/85

(22) Filed: **Apr. 5, 2022**

(30) **Foreign Application Priority Data**

Oct. 13, 2021 (KR) 30-2021-0048281

(51) **LOC (13) Cl.** **01-01**

(52) **U.S. Cl.**
USPC **D1/125**

(58) **Field of Classification Search**
USPC D1/100–130, 199; 426/74, 92–94, 104,
426/134, 138, 143, 275, 277, 279,
426/281–284, 292, 295, 391, 439, 496,
426/514, 566, 572, 660; 249/92;
D21/484, 501; 119/710; D7/359;
D25/113, 118, 138; D23/366
CPC A23G 3/50; A23G 3/54; A23J 3/26; A23L
1/0067
See application file for complete search history.

(56) **References Cited**

U.S. PATENT DOCUMENTS

5,826,873 A * 10/1998 Lavermicocca B26F 3/12
273/157 R
D591,480 S * 5/2009 Hague D1/199

* cited by examiner

Primary Examiner — Katie Jane Stofko

(74) *Attorney, Agent, or Firm* — Leason Ellis LLP

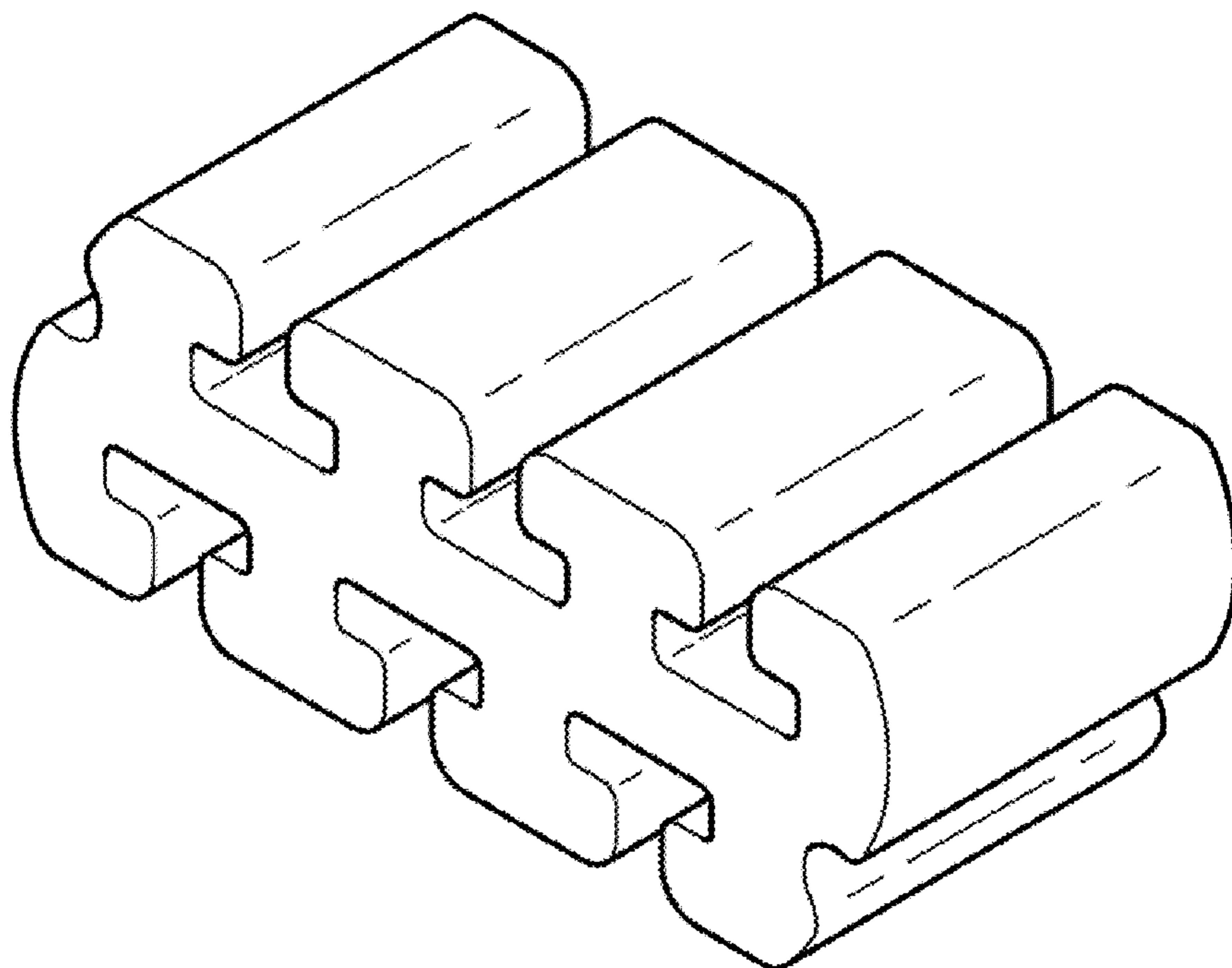
(57) **CLAIM**

The ornamental design for a dry pet food, as shown and described.

DESCRIPTION

FIG. 1 is a top, front and right side perspective view of a dry pet food showing the new design;
FIG. 2 is a front elevation thereof;
FIG. 3 is a rear elevation thereof;
FIG. 4 is a left side elevation thereof;
FIG. 5 is a right side elevation thereof;
FIG. 6 is a top plan thereof; and,
FIG. 7 is a bottom plan thereof.

1 Claim, 3 Drawing Sheets



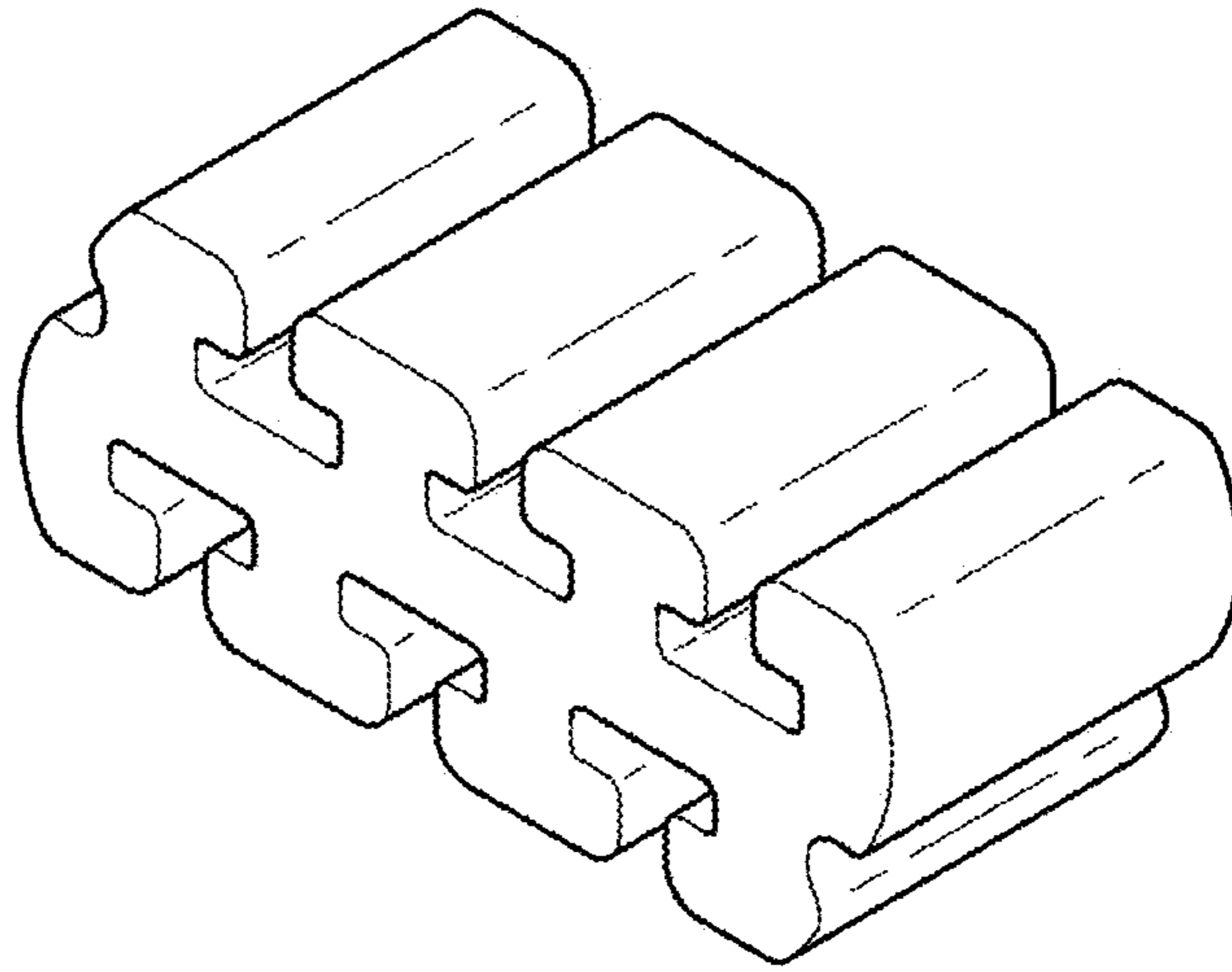


FIG. 1

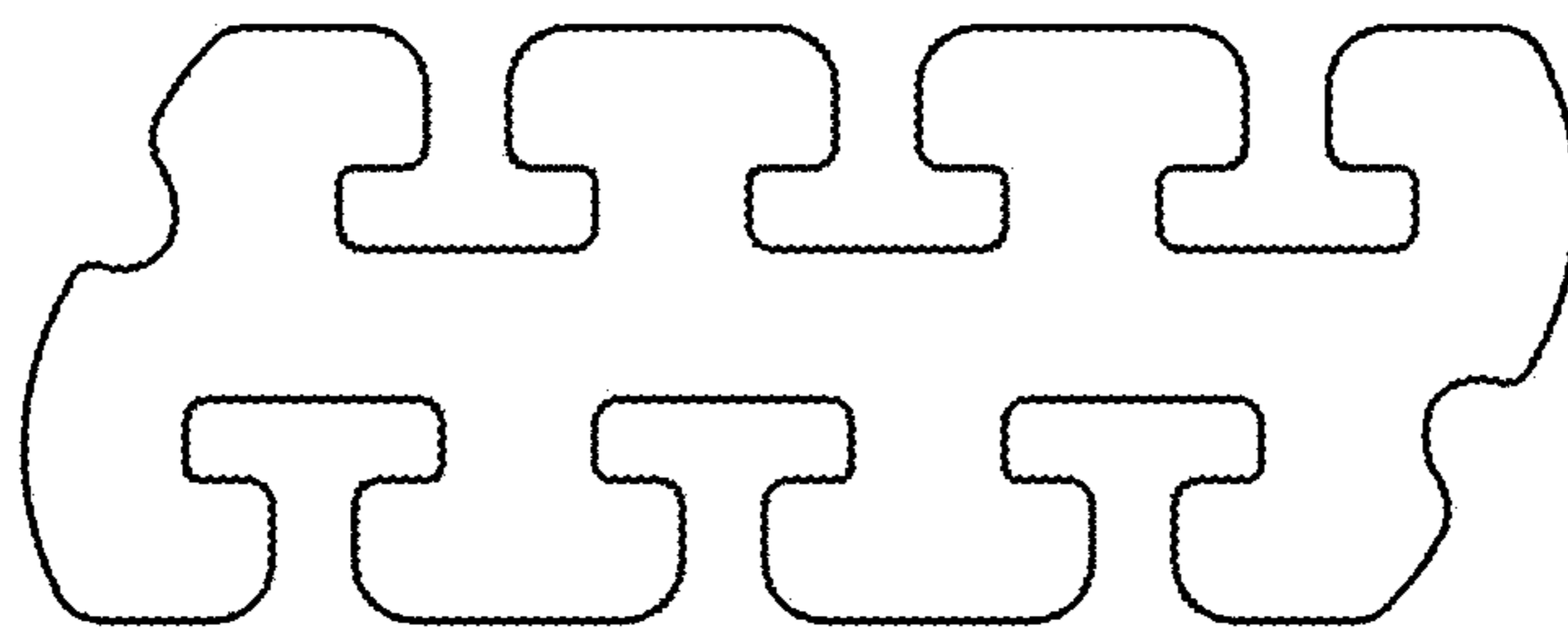


FIG. 2

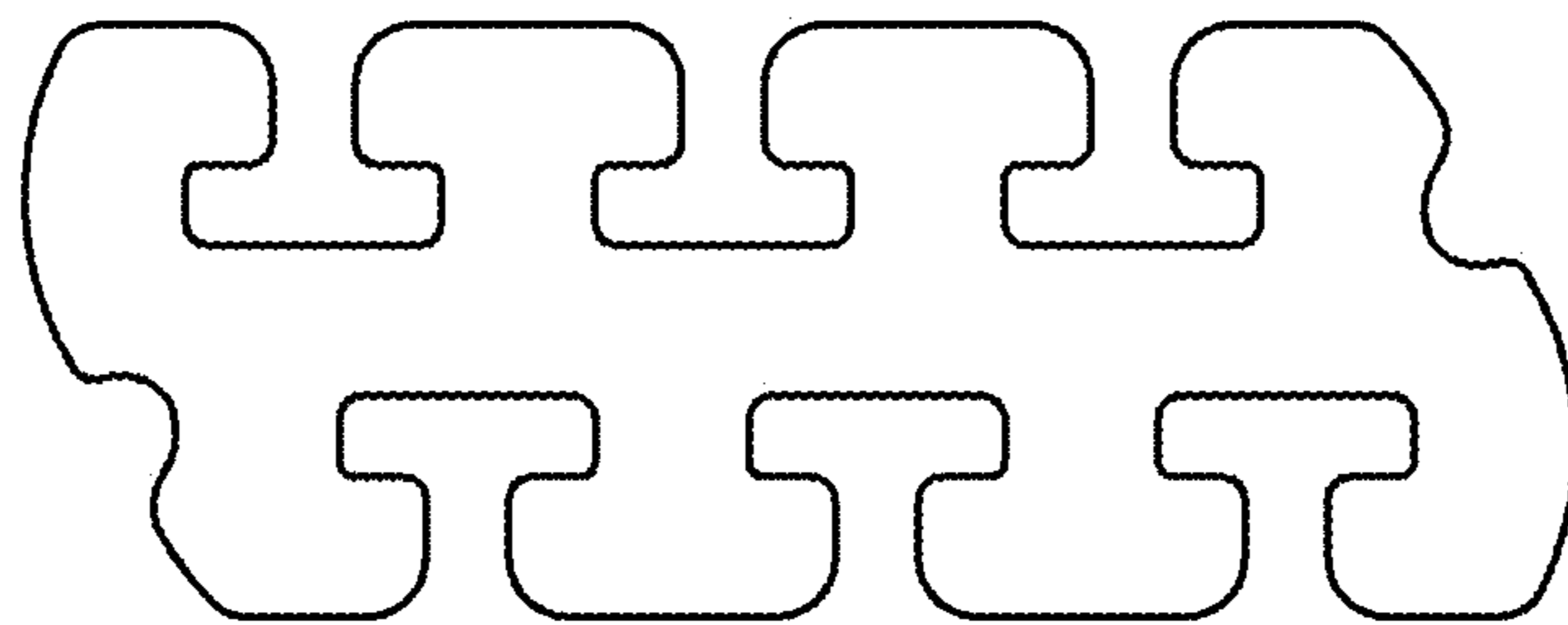


FIG. 3

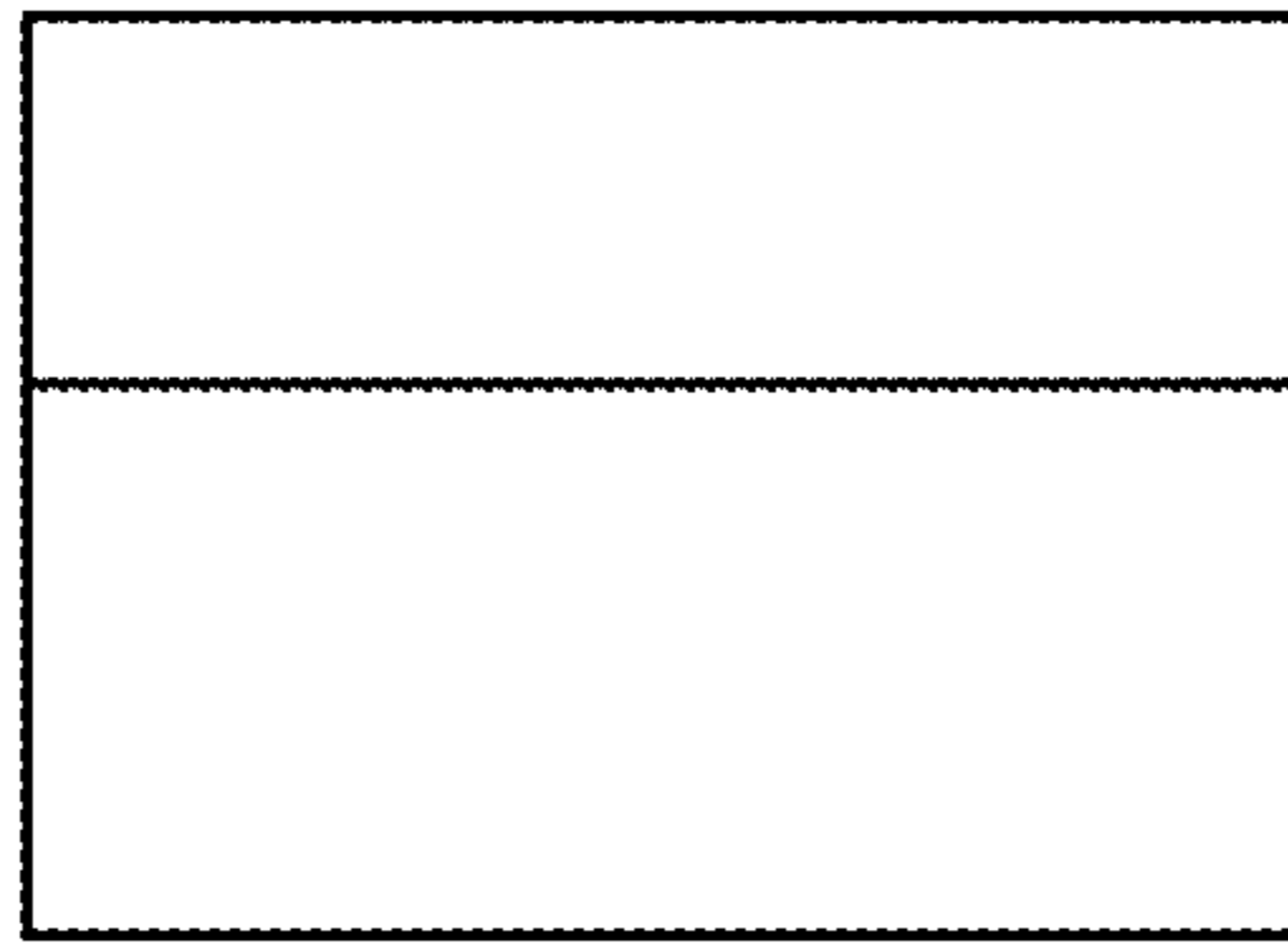


FIG. 4

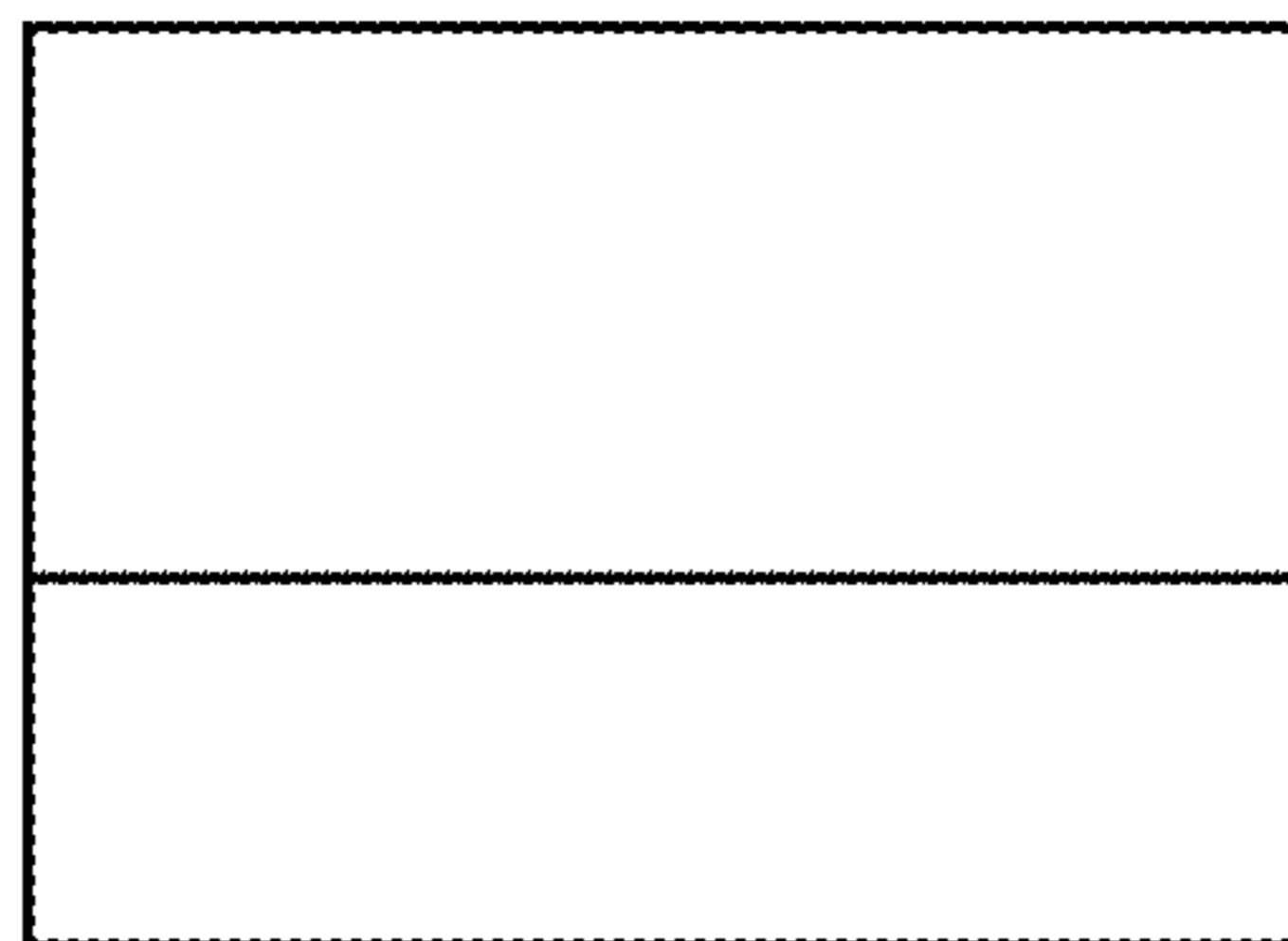


FIG. 5

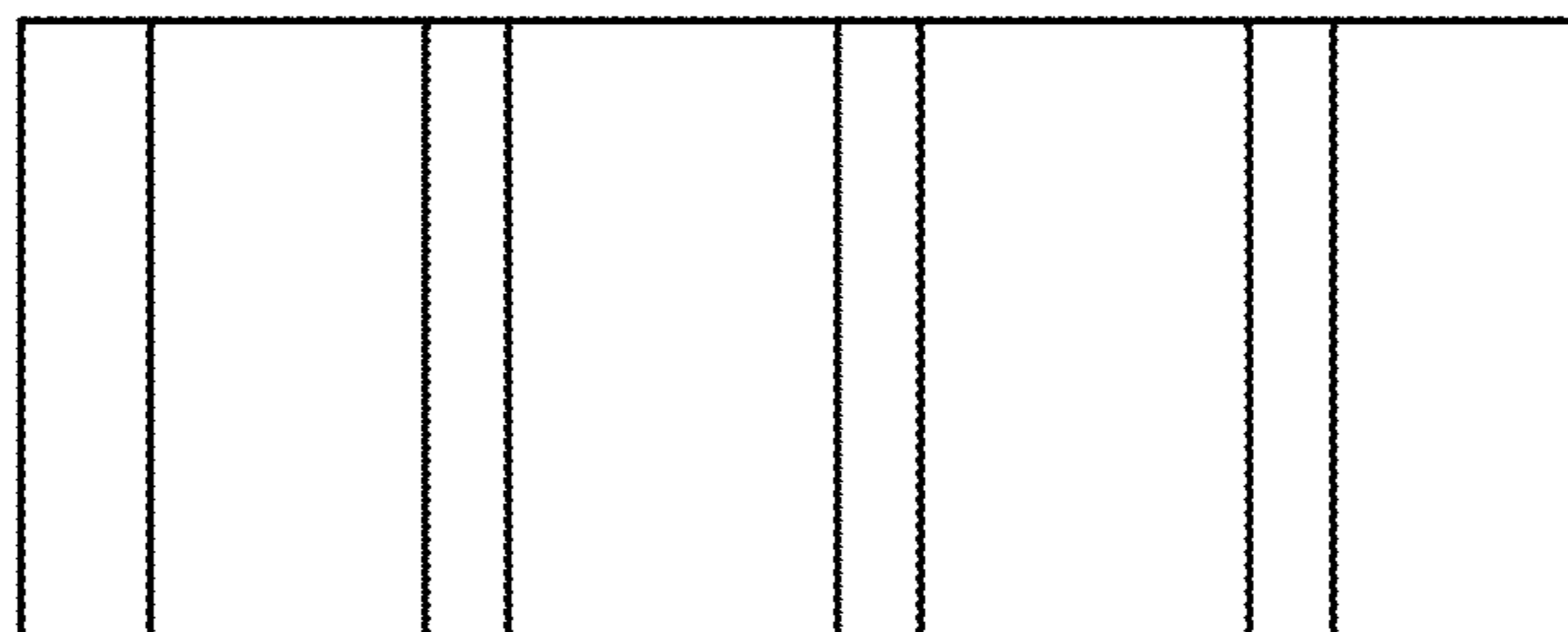


FIG. 6

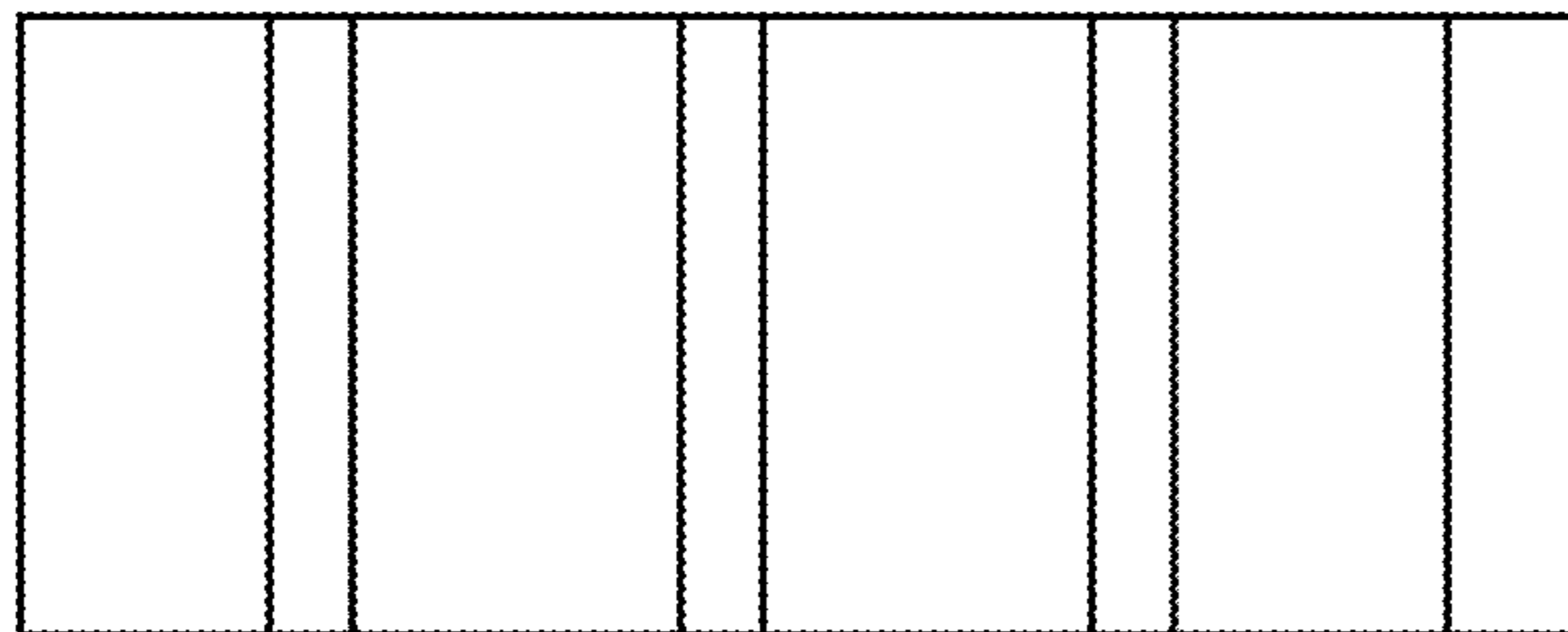


FIG. 7