



US00D964684S

(12) **United States Design Patent** (10) **Patent No.:** **US D964,684 S**
Beasley et al. (45) **Date of Patent:** **** Sep. 20, 2022**

- (54) **CART**
- (71) Applicant: **Steelcase Inc.**, Grand Rapids, MI (US)
- (72) Inventors: **Charles Beasley**, Zeeland, MI (US);
Penghao Shan, Munich (DE); **John M. Allen**, Grand Rapids, MI (US); **Justin G. Beitzel**, Grand Rapids, MI (US);
Alban Moriniere, Munich (DE);
William Bennie, Rockford, MI (US)
- (73) Assignee: **Steelcase Inc.**, Grand Rapids, MI (US)
- (**) Term: **15 Years**
- (21) Appl. No.: **29/827,766**
- (22) Filed: **Feb. 22, 2022**

- D285,853 S 9/1986 Hubert
- D311,802 S 10/1990 Getto
- D313,878 S 1/1991 Rinkewich
- 5,016,948 A 5/1991 Welch et al.
- D330,651 S 11/1992 Battaglia
- D345,839 S 4/1994 Senese
- D354,186 S 1/1995 Grosfillex
- D360,725 S 7/1995 Snell
- D361,188 S 8/1995 Perelli
- D361,419 S 8/1995 Snell
- D361,422 S 8/1995 Coates
- D363,590 S 10/1995 Kazmerchek et al.
- D371,879 S 7/1996 Linder
- D373,668 S 9/1996 Linder
- D377,127 S 1/1997 Barrington
- D381,168 S 7/1997 Delmerico et al.
- D391,031 S 2/1998 Egan et al.
- D399,625 S 10/1998 Murphy et al.
- D400,334 S 10/1998 Hawkins
- D400,676 S 11/1998 Good
- D405,580 S 2/1999 Vanderminden

(Continued)

Related U.S. Application Data

- (63) Continuation of application No. 29/805,485, filed on Aug. 27, 2021, which is a continuation of application No. 29/781,079, filed on Apr. 28, 2021, now Pat. No. Des. 932,128, which is a continuation of application No. 29/734,099, filed on May 8, 2020, now Pat. No. Des. 921,322, which is a continuation of application No. 29/662,268, filed on Sep. 4, 2018, now Pat. No. Des. 887,101.
- (51) **LOC (13) Cl.** **12-02**
- (52) **U.S. Cl.**
USPC **D34/21**
- (58) **Field of Classification Search**
USPC D34/12-14, 16-18, 20-27; 280/641,
280/47.19, 47.24, 47.29, 79.11, 79.3,
280/47.34, 47.35, 638, 639, 651
CPC B62B 5/0438; B62B 1/12; B62B 1/20
See application file for complete search history.

Primary Examiner — Gino Colan

(74) *Attorney, Agent, or Firm* — Crowell & Moring LLP

(57) **CLAIM**

We claim the ornamental design for a cart, as shown and described.

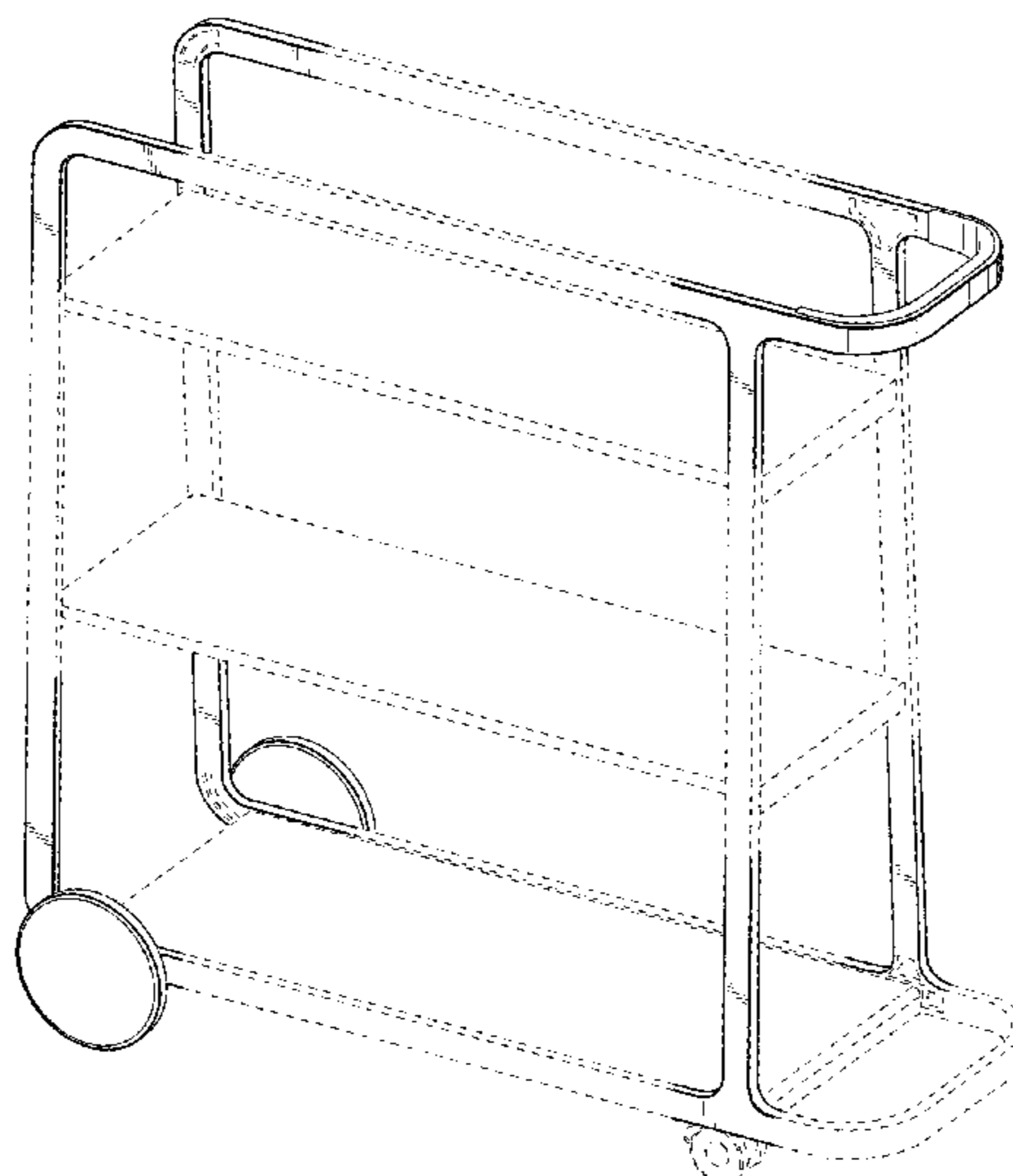
DESCRIPTION

FIG. 1 is a top right rear perspective view of a cart showing our design;
 FIG. 2 is a top plan view thereof;
 FIG. 3 is a bottom plan view thereof;
 FIG. 4 is a front elevation view thereof;
 FIG. 5 is a rear elevation view thereof;
 FIG. 6 is a right side elevation view thereof; and,
 FIG. 7 is a left side elevation view thereof.
 The broken lines in the figures illustrate portions of the cart that form no part of the claimed design.

(56) **References Cited**
 U.S. PATENT DOCUMENTS

- 4,391,454 A 7/1983 Marsh
- 4,541,644 A 9/1985 Diener

1 Claim, 6 Drawing Sheets



(56)

References Cited

U.S. PATENT DOCUMENTS

D409,019 S	5/1999	Crinion	D554,323 S	10/2007	Roth
D410,578 S	6/1999	Tisbo et al.	D555,871 S	11/2007	Pong
D411,045 S	6/1999	Morandi	D585,621 S	1/2009	Taillon
D411,903 S	7/1999	Arvans	D588,322 S	3/2009	Tilk et al.
D425,280 S	5/2000	vom Braucke et al.	D598,623 S	8/2009	Zang Wentz Pho et al.
6,213,483 B1	4/2001	Gaffney	D608,071 S	1/2010	Presnell
D445,984 S	7/2001	Dickinson et al.	D608,970 S	1/2010	Cordeiro
D446,376 S	8/2001	Vanderbyl	D616,551 S	5/2010	Fallon et al.
D469,591 S	1/2003	Vanderminden	D618,419 S	6/2010	Catron et al.
D472,027 S	3/2003	Walter	D636,550 S	4/2011	Molayem
D478,199 S	8/2003	Presnell et al.	D657,110 S	4/2012	Schlomann
D480,527 S	10/2003	Kollen	D678,641 S	3/2013	Van Es
D481,188 S	10/2003	DiGiacomo, Jr. et al.	D703,412 S	4/2014	Snider et al.
D485,410 S	1/2004	Van Lanningham, Jr. et al.	D722,413 S	2/2015	Crow
D486,618 S	2/2004	Crosco, Sr.	D747,837 S	1/2016	Chang
D487,605 S	3/2004	Laverdière	D748,359 S	1/2016	Lustig et al.
D492,076 S	6/2004	Kollen	D750,861 S	3/2016	Alletto, Jr.
D497,232 S	10/2004	McDiarmid	D798,520 S	9/2017	Walter et al.
D504,000 S	4/2005	Underbrink et al.	D809,730 S	2/2018	Churchvara et al.
D510,168 S	9/2005	Lovegrove et al.	D810,380 S	2/2018	Sommerfield et al.
D523,202 S	6/2006	Willison	D814,735 S	4/2018	Rockwell et al.
D523,607 S	6/2006	Huguet	10,390,614 B1	8/2019	Oliver
D527,856 S	9/2006	Tropepe	D887,100 S	6/2020	Beasley et al.
			D887,101 S	6/2020	Beasley et al.
			D887,102 S	6/2020	Beasley et al.
			D921,322 S	6/2021	Beasley et al.

Fig. 1

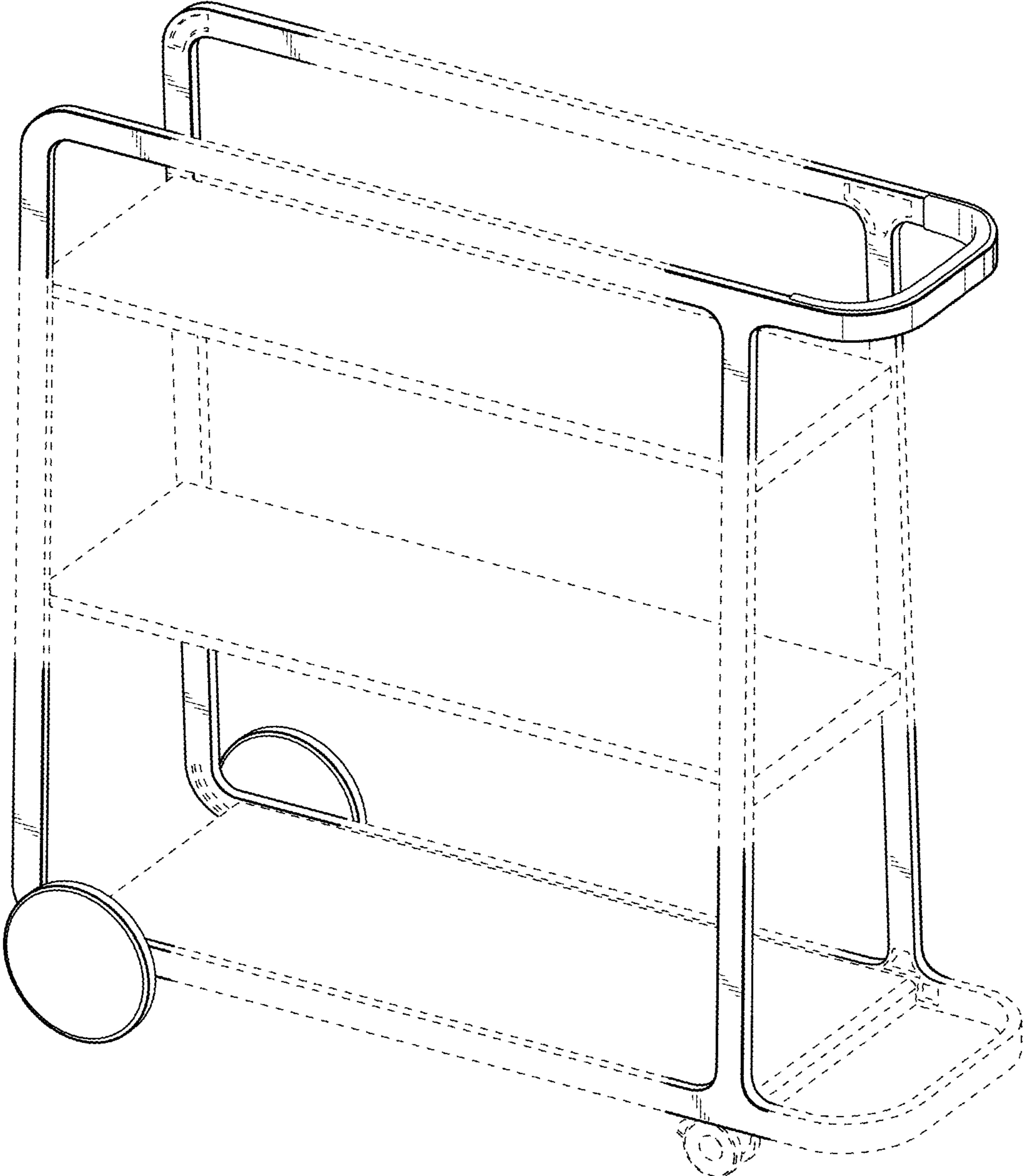


Fig. 2

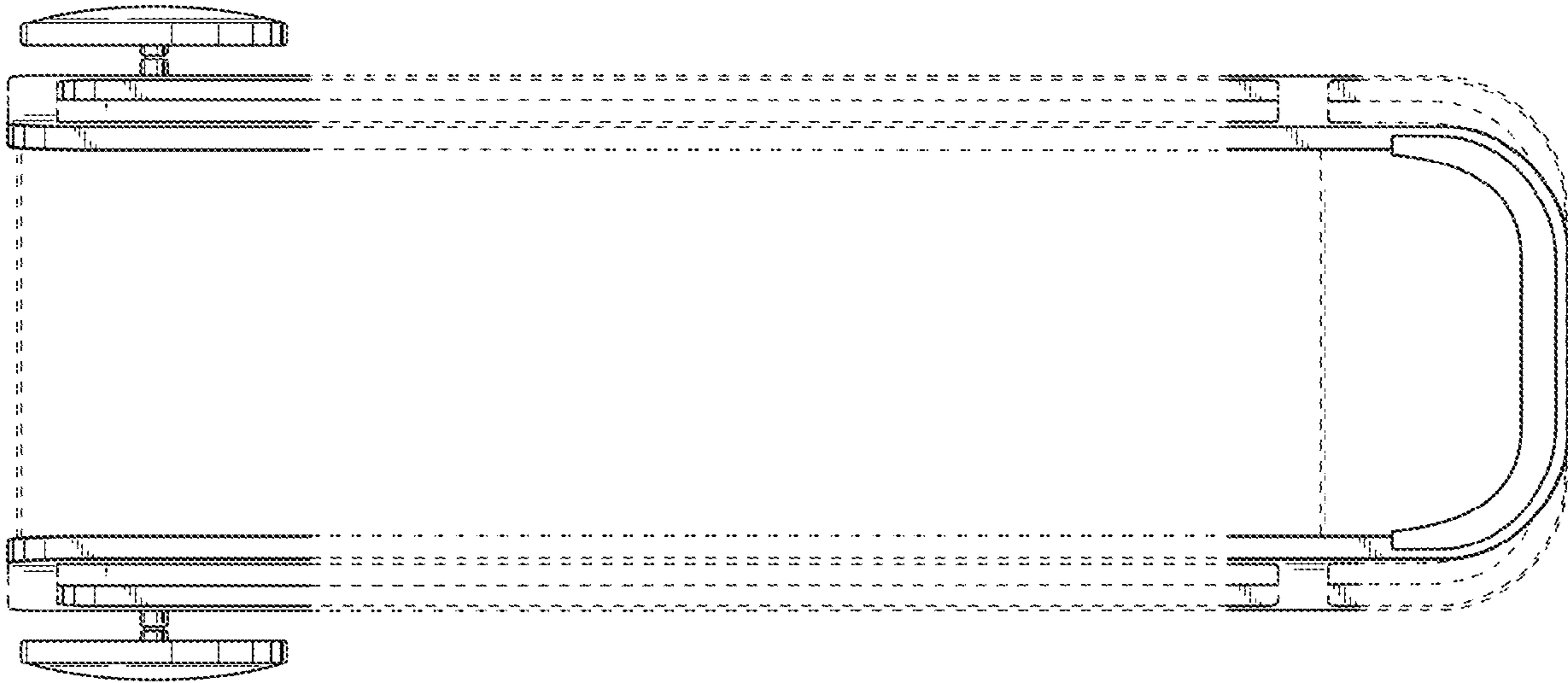


Fig. 3



Fig. 4

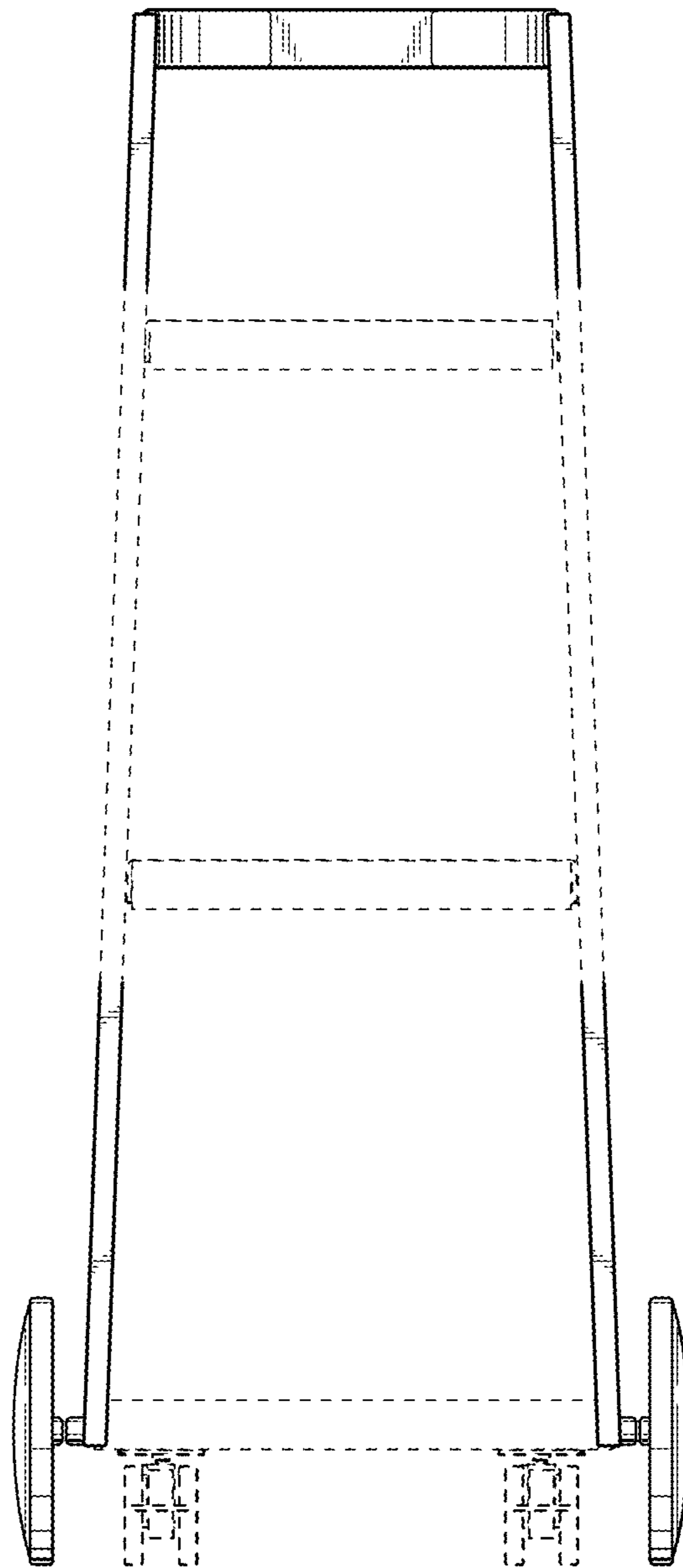


Fig. 5

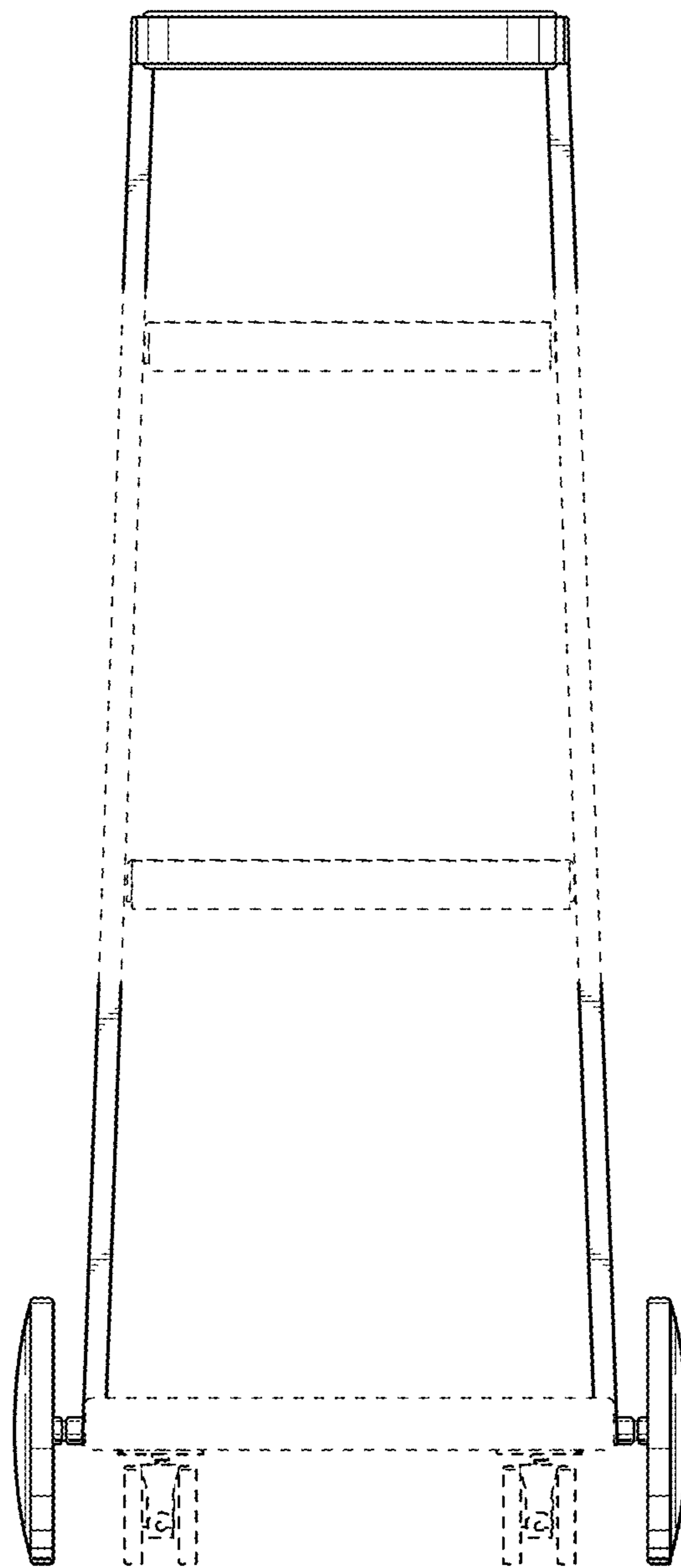


Fig. 6

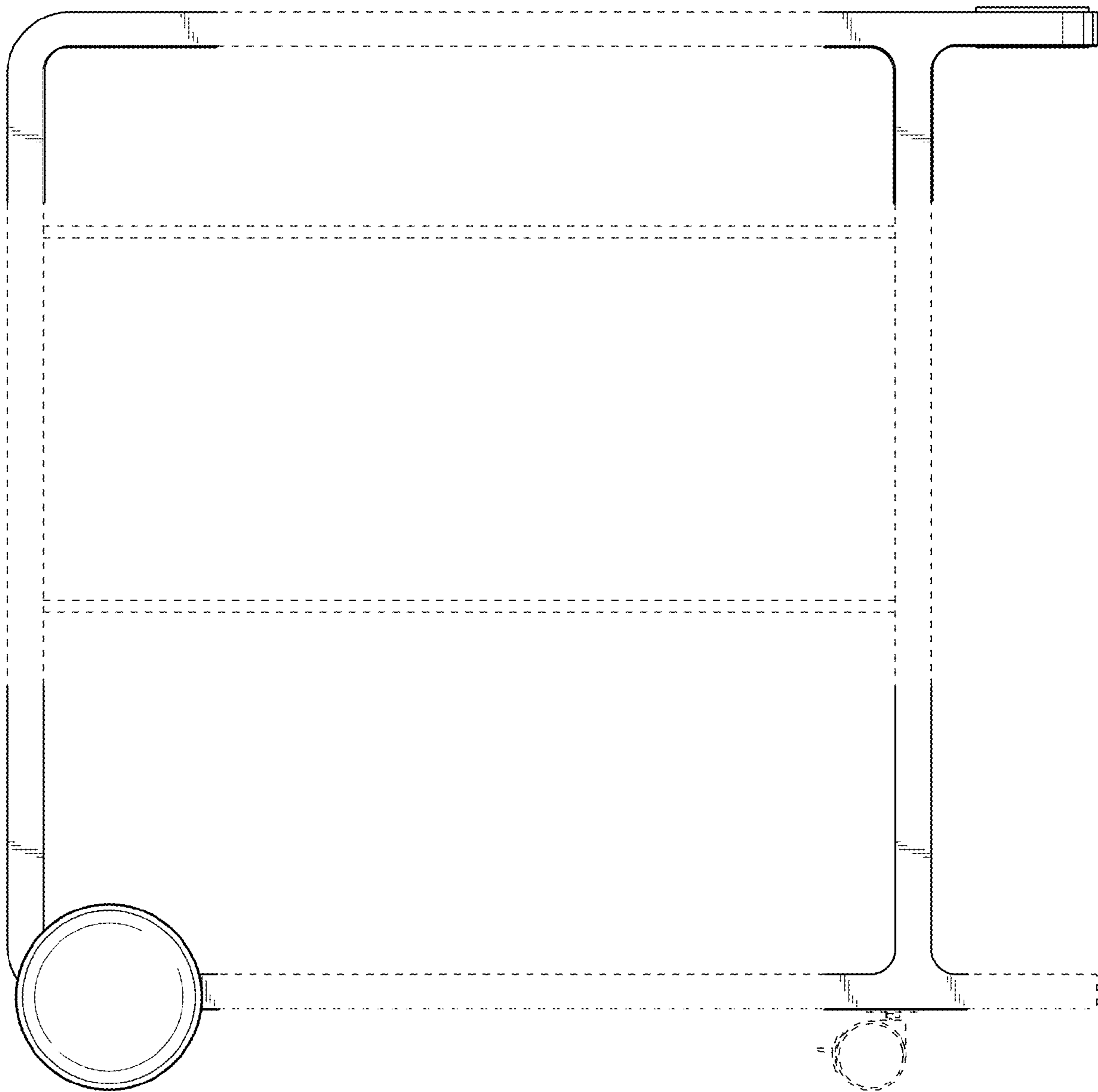


Fig. 7

