



US00D964683S

(12) **United States Design Patent** (10) **Patent No.:** **US D964,683 S**  
**Abbott** (45) **Date of Patent:** **\*\* Sep. 20, 2022**

(54) **BEACH CLEANING STATION**

(71) Applicant: **Andrew Abbott**, Loxahatchee, FL (US)  
(72) Inventor: **Andrew Abbott**, Loxahatchee, FL (US)  
(\*\*) Term: **15 Years**  
(21) Appl. No.: **29/829,139**  
(22) Filed: **Mar. 3, 2022**

**Related U.S. Application Data**

(62) Division of application No. 29/720,419, filed on Jan. 13, 2020, now Pat. No. Des. 949,504.  
(51) **LOC (13) Cl.** ..... **09-09**  
(52) **U.S. Cl.**  
USPC ..... **D34/10**  
(58) **Field of Classification Search**  
USPC ..... D34/10, 11; D6/446, 167, 663  
CPC ..... E04B 1/34321; E04B 7/166; E04B 1/346;  
E04H 1/1205; A47B 17/04; A47B 47/03;  
A47B 67/02; A61G 7/1011; A61G  
7/1017; A61G 7/1046; A61G 7/1021;  
A61G 5/1059; A61G 5/0858  
See application file for complete search history.

(56) **References Cited**

**U.S. PATENT DOCUMENTS**

5,029,724 A \* 7/1991 Serio ..... B65D 55/14  
220/322  
5,044,644 A \* 9/1991 Duran ..... B65F 1/085  
280/47.35  
D329,516 S \* 9/1992 Bailly ..... D34/11  
5,392,942 A \* 2/1995 Hanson ..... B65F 1/00  
220/826  
5,683,126 A \* 11/1997 De Vivo ..... B65F 1/1615  
220/315

(Continued)

**OTHER PUBLICATIONS**

WPTV Article, New bucket station aims to keep Boynton beaches clean, Feb. 20, 2020, <https://www.wptv.com/news/protecting-paradise/new-bucket-station-aims-to-keep-boynton-beach-beaches-clean> (Year: 2020).\*

(Continued)

*Primary Examiner* — Cynthia Ramirez

(74) *Attorney, Agent, or Firm* — McHale & Slavin, P.A.

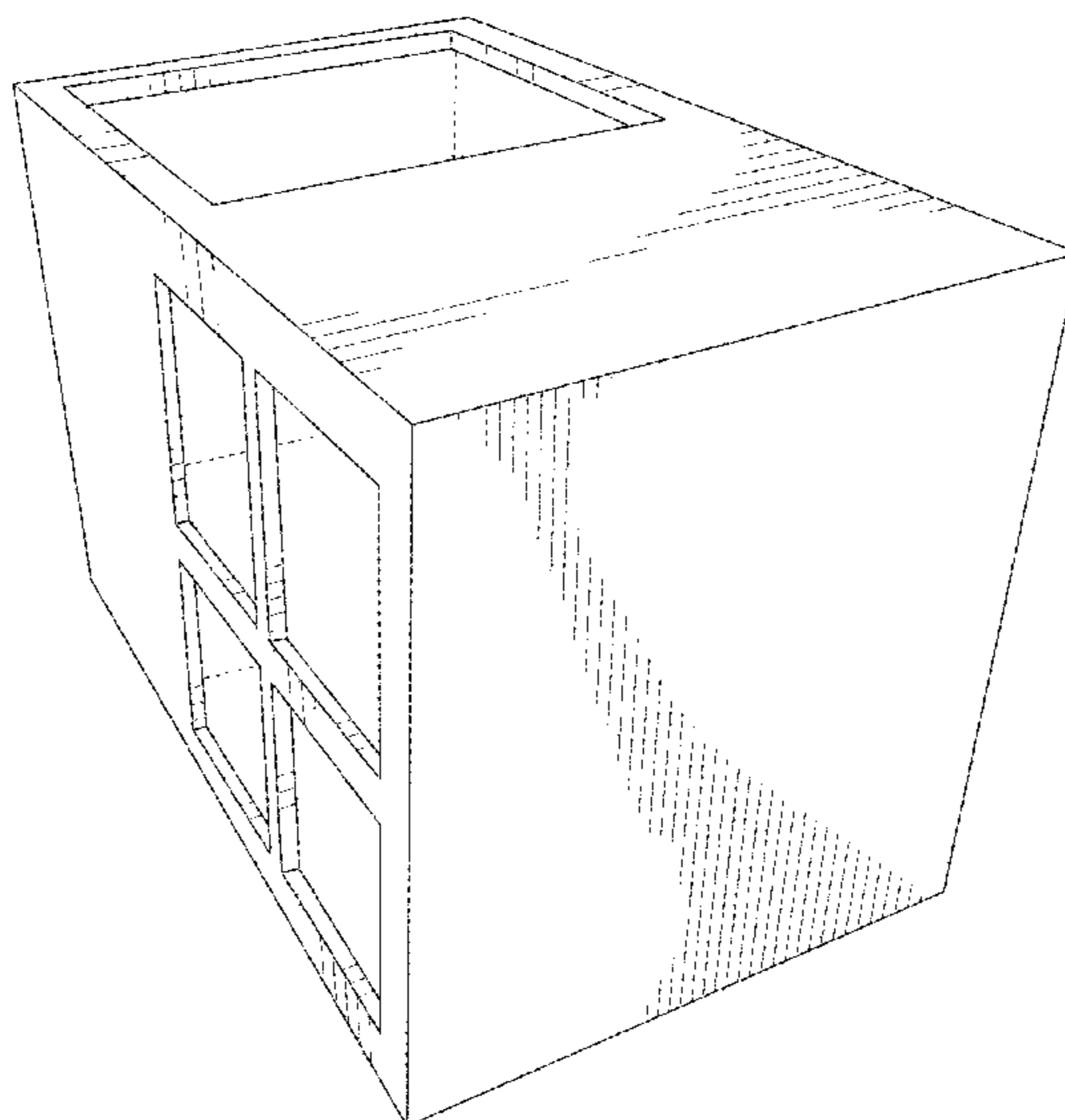
(57) **CLAIM**

The ornamental design for a beach cleaning station, as shown and described.

**DESCRIPTION**

FIG. 1 is a perspective view of a beach cleaning station showing the first embodiment of my new design; FIG. 2 is an alternate perspective view thereof; FIG. 3 is a front view thereof; FIG. 4 is a rear view thereof; FIG. 5 is a left side view thereof; FIG. 6 is a right side view thereof; FIG. 7 is a top view thereof; FIG. 8 is a bottom view thereof; and FIG. 9 is another perspective view thereof shown in use; FIG. 10 is a perspective view of a beach cleaning station showing a second embodiment; FIG. 11 is another perspective view thereof; FIG. 12 is a front view thereof; FIG. 13 is a rear view thereof; FIG. 14 is a left side view thereof; FIG. 15 is a right side view thereof; FIG. 16 is a top view thereof; FIG. 17 is a bottom view thereof; and FIG. 18 is another perspective view thereof shown in use. The broken lines in the figures show portions of the beach cleaning station which form no part of the claimed design. The buckets shown in the broken lines are to show environment purposes and form no part of the claimed design.

**1 Claim, 18 Drawing Sheets**



(56)

**References Cited**

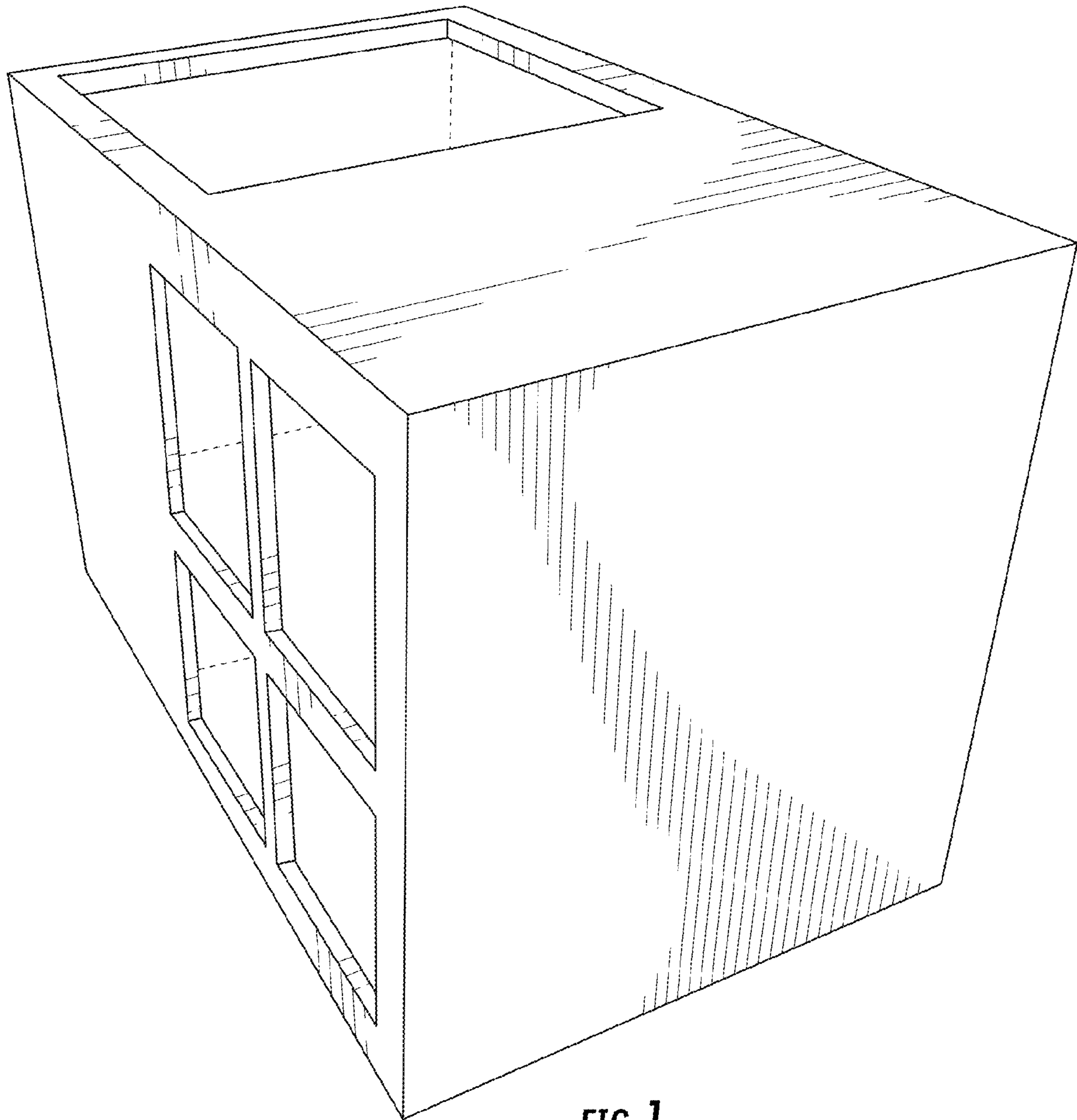
## U.S. PATENT DOCUMENTS

D688,806	S *	8/2013	Phillips	.....	D25/33
D689,622	S *	9/2013	Thuma	.....	D25/33
D728,824	S *	5/2015	McKimmy	.....	D25/33
D777,395	S *	1/2017	Rew	.....	D34/10
D799,775	S *	10/2017	Bowen	.....	D34/4
D932,650	S *	10/2021	Leng	.....	D25/33
D949,504	S *	4/2022	Abbott	.....	D34/10
2005/0005785	A1 *	1/2005	Poss	.....	B65F 1/1426 100/240
2007/0125778	A1 *	6/2007	Uffner	.....	B65F 1/1468 220/4.28
2010/0043309	A1 *	2/2010	Martin	.....	E03C 1/01 52/79.5
2013/0000218	A1 *	1/2013	Uffner	.....	E04B 1/34321 52/79.1
2014/0158702	A1 *	6/2014	Phillips	.....	A47B 47/0066 220/832
2017/0190509	A1 *	7/2017	Reeb	.....	E05B 83/02
2018/0056336	A1 *	3/2018	Castelli	.....	B07C 7/005
2020/0263473	A1 *	8/2020	Leng	.....	A45C 5/04
2020/0263474	A1 *	8/2020	Leng	.....	E05F 1/1091
2021/0123230	A1 *	4/2021	Good	.....	E04H 1/1205
2021/0245952	A1 *	8/2021	Tassinari	.....	A47D 13/00

## OTHER PUBLICATIONS

Coastal Star article, Along the Coast: Nonprofit's buckets engage public in cleaning litter from beaches, Mar. 2021, <https://thecoastalstar.com/profiles/blogs/along-the-coast-nonprofit-s-buckets-engage-public-in-cleaning-lit> (Year: 2021).\*

\* cited by examiner



**FIG. 1**

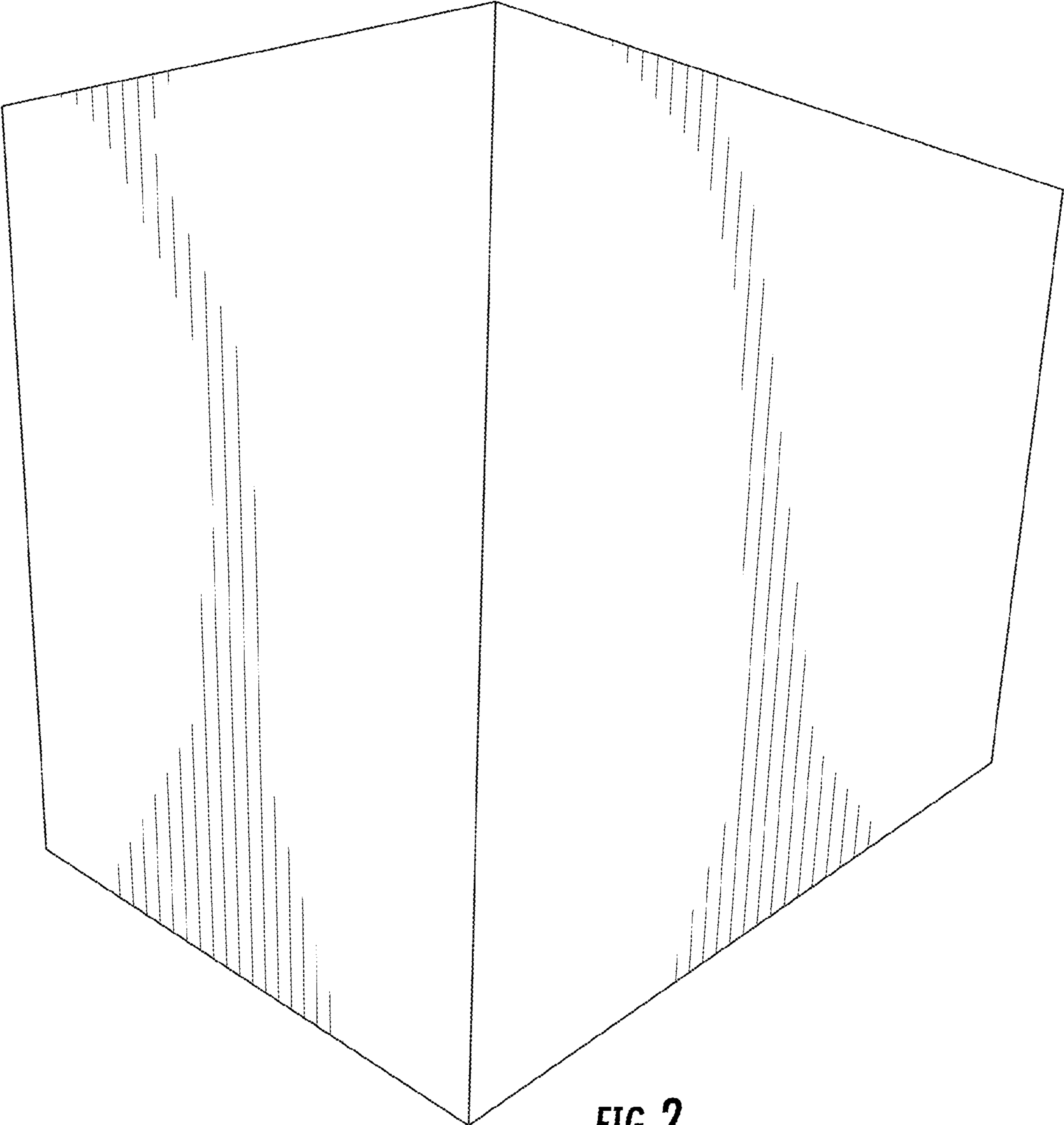
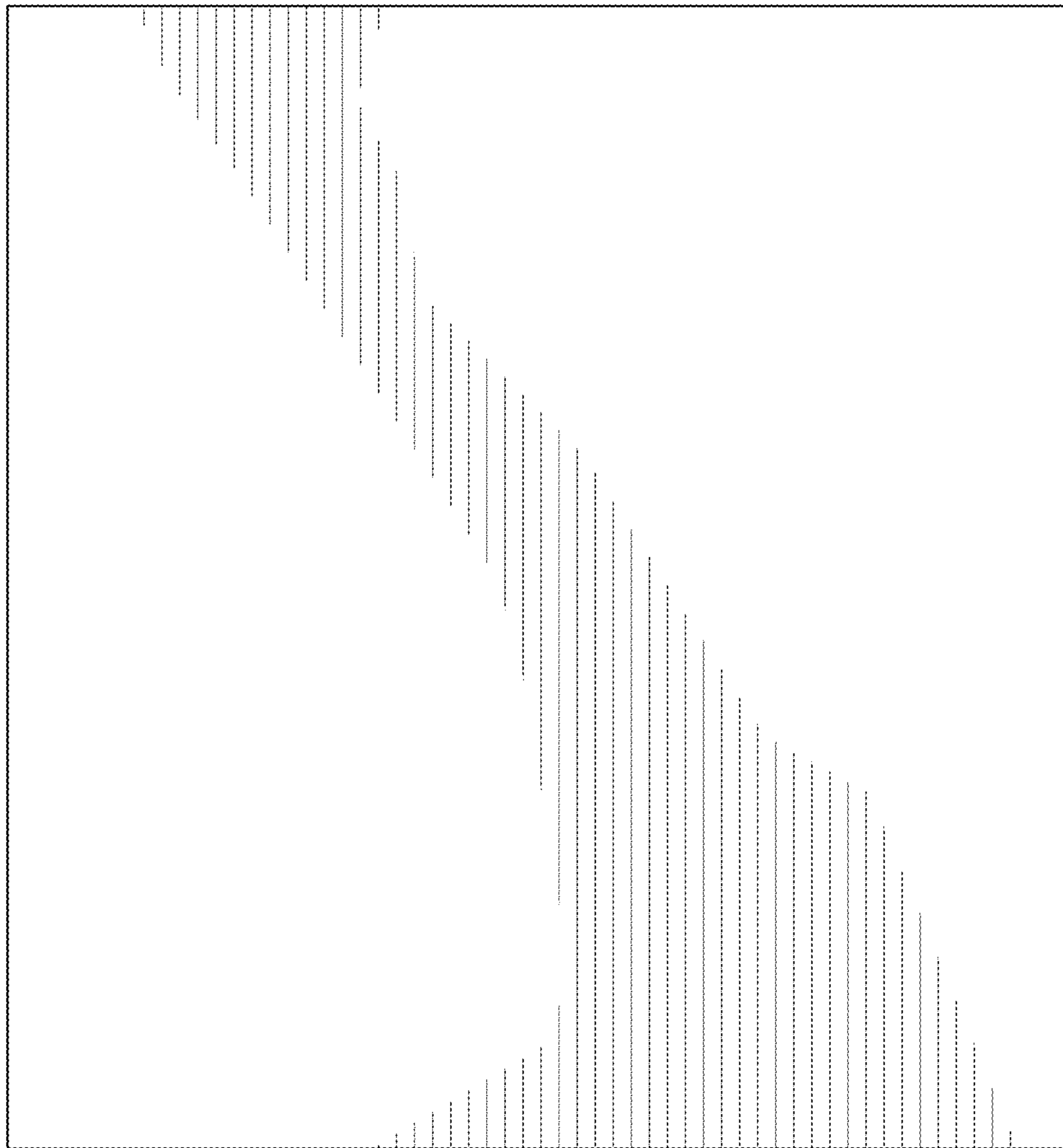
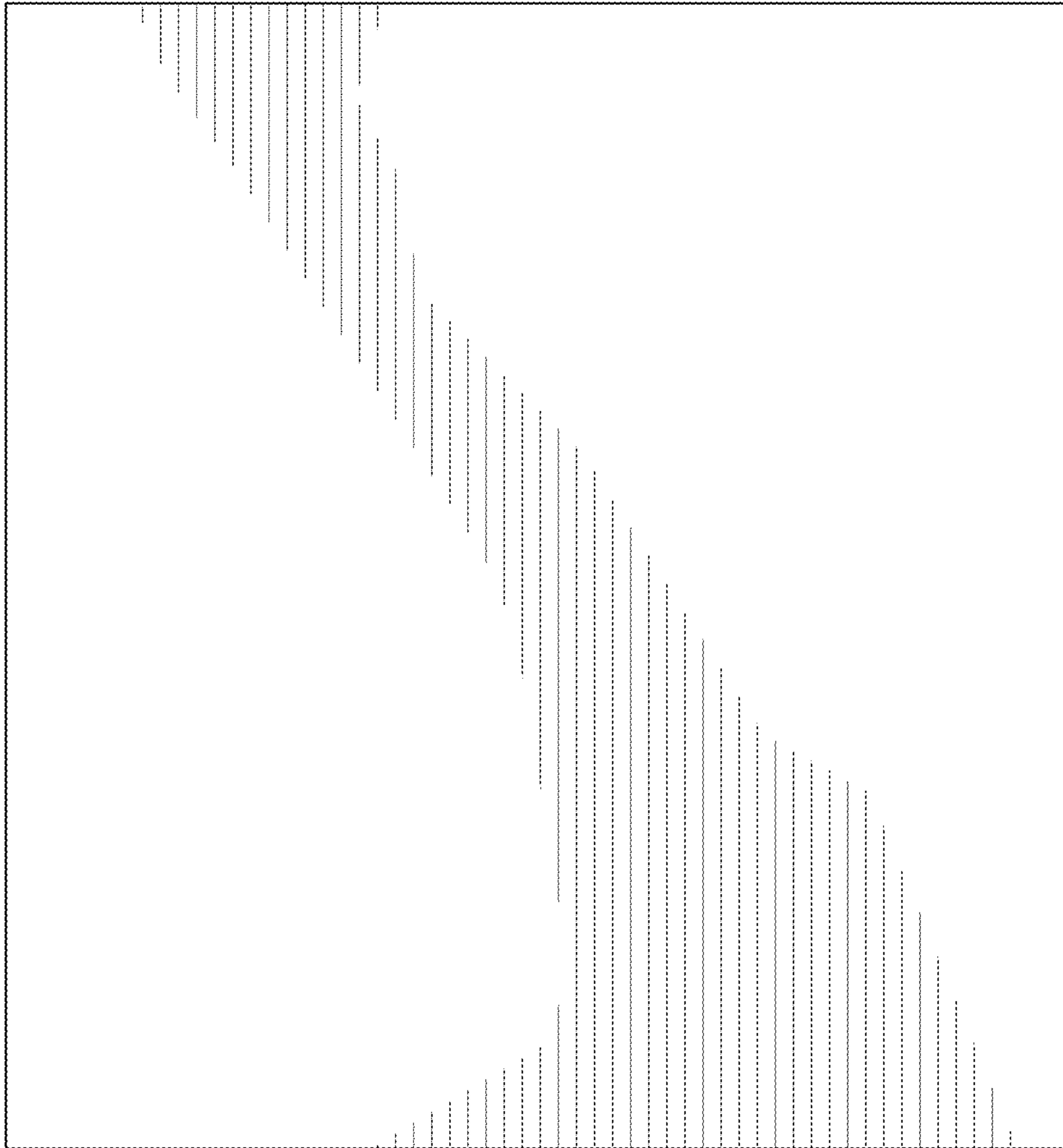


FIG. 2



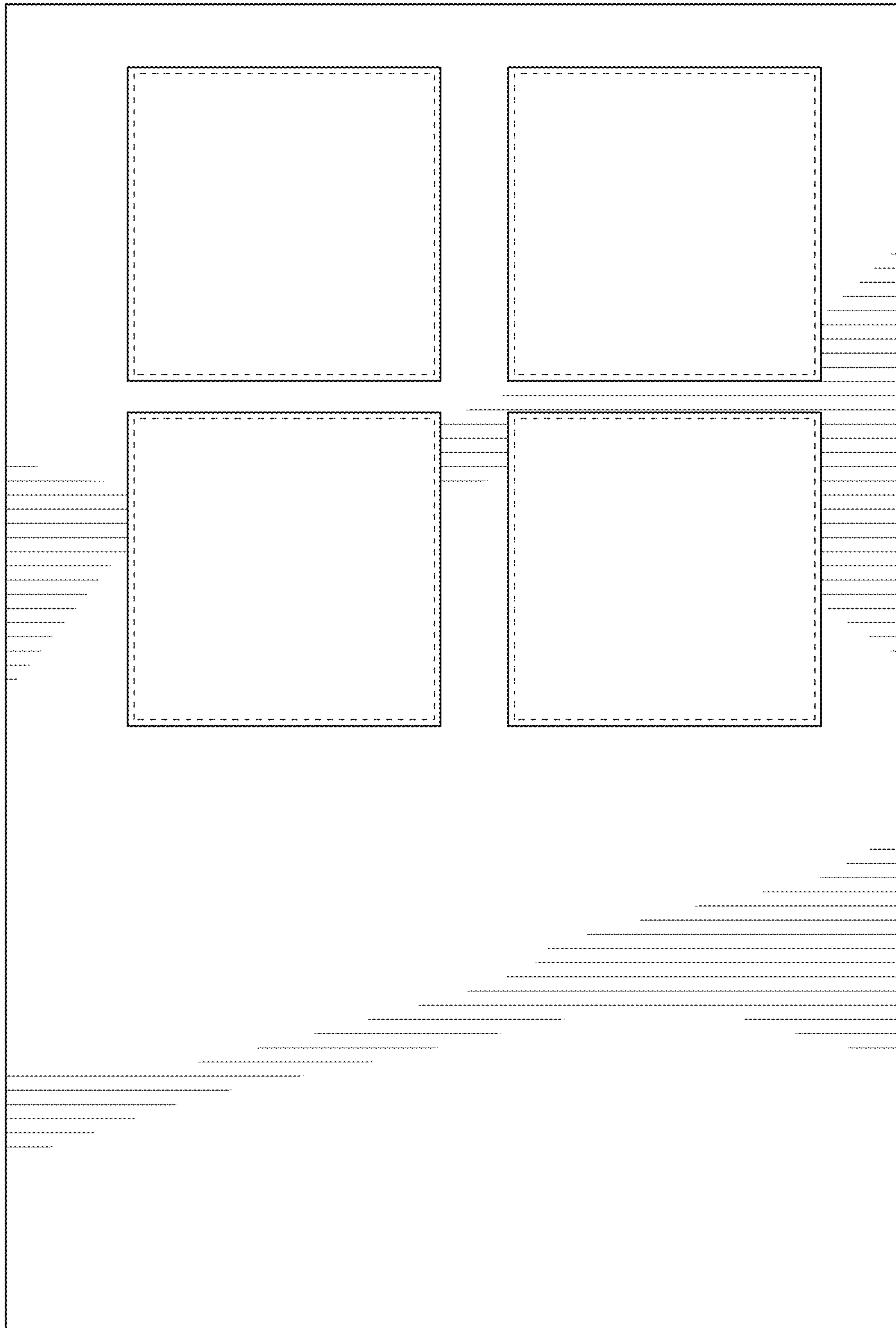
**FIG. 3**



**FIG. 4**

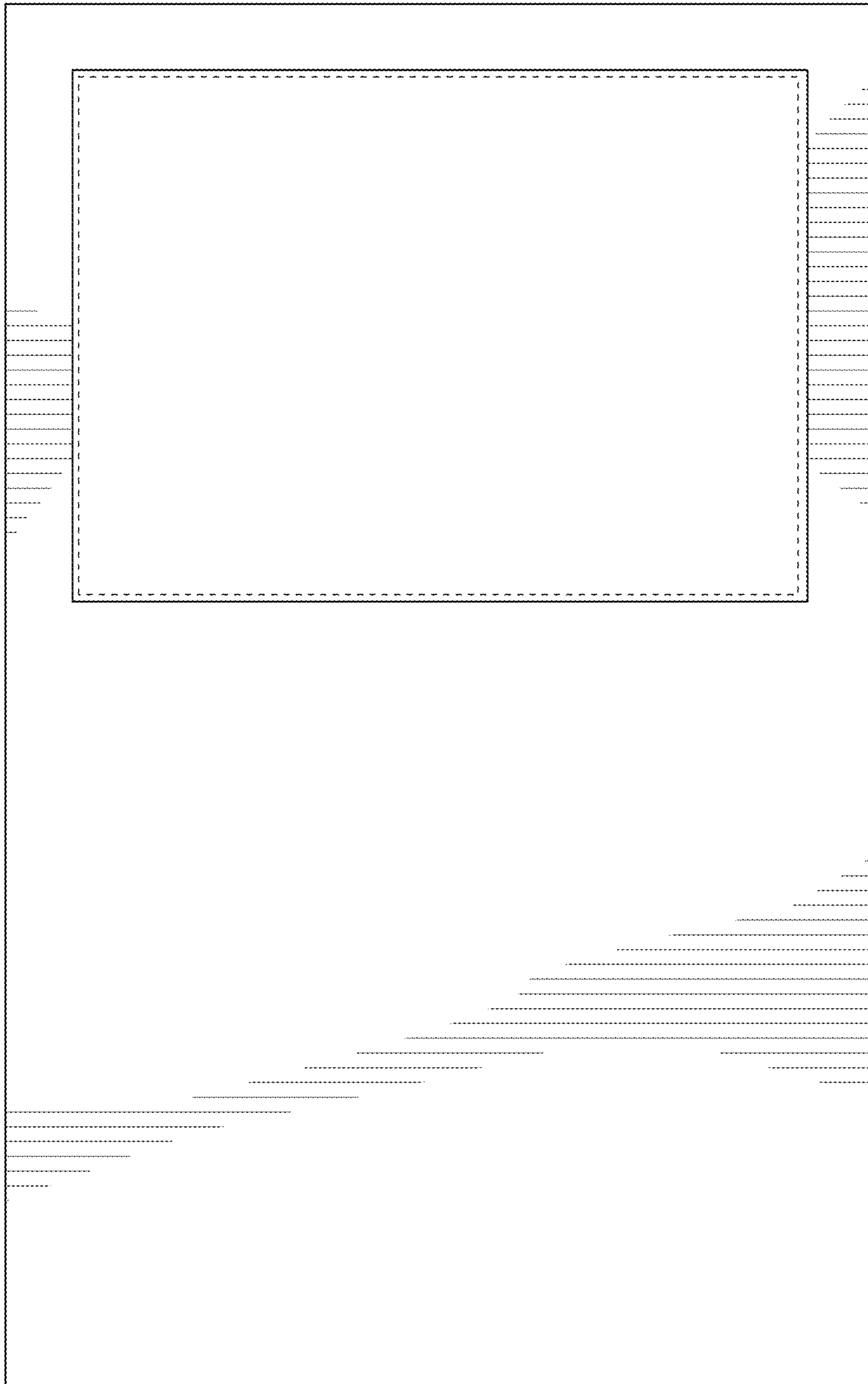


FIG. 5

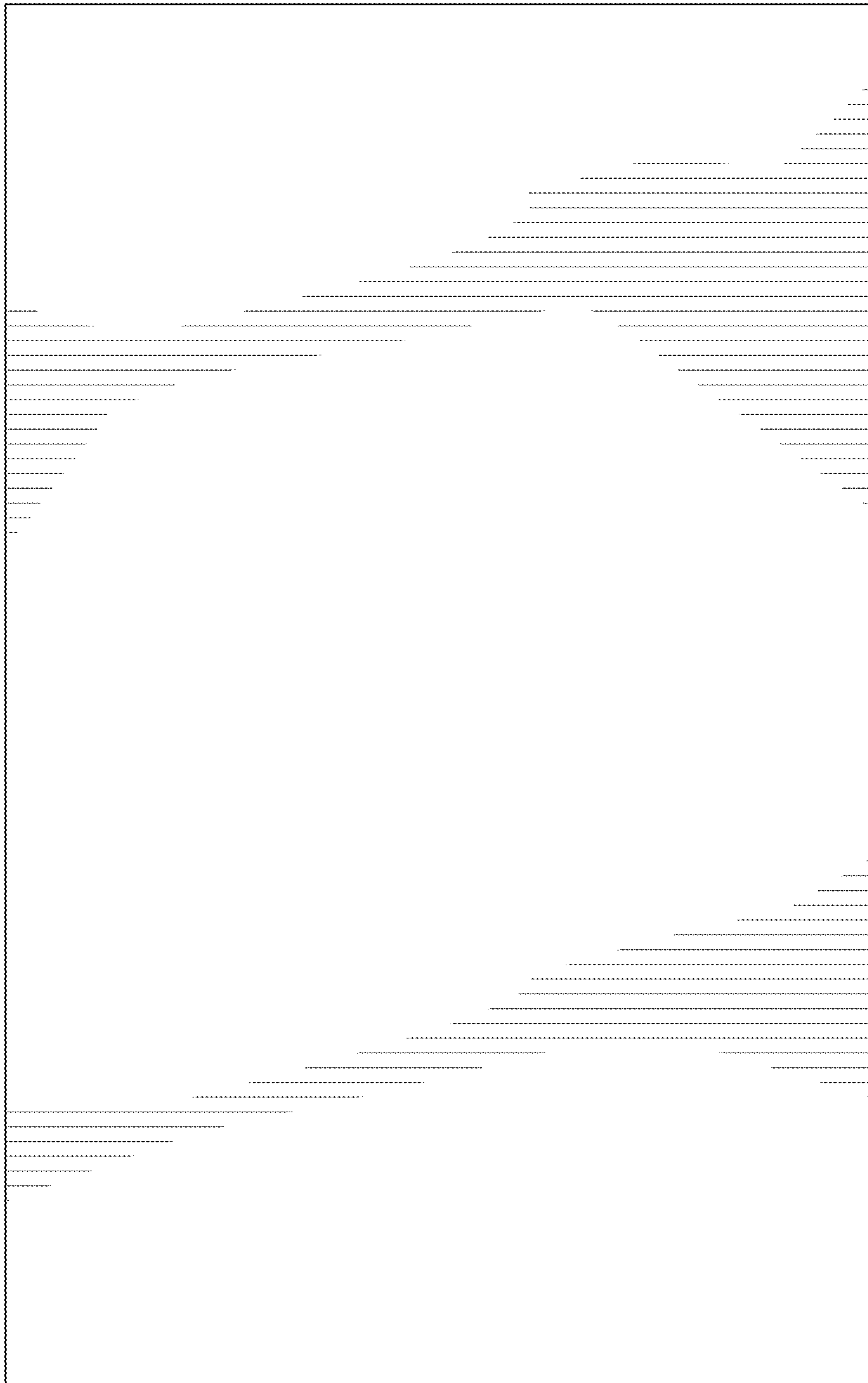


**FIG. 6**

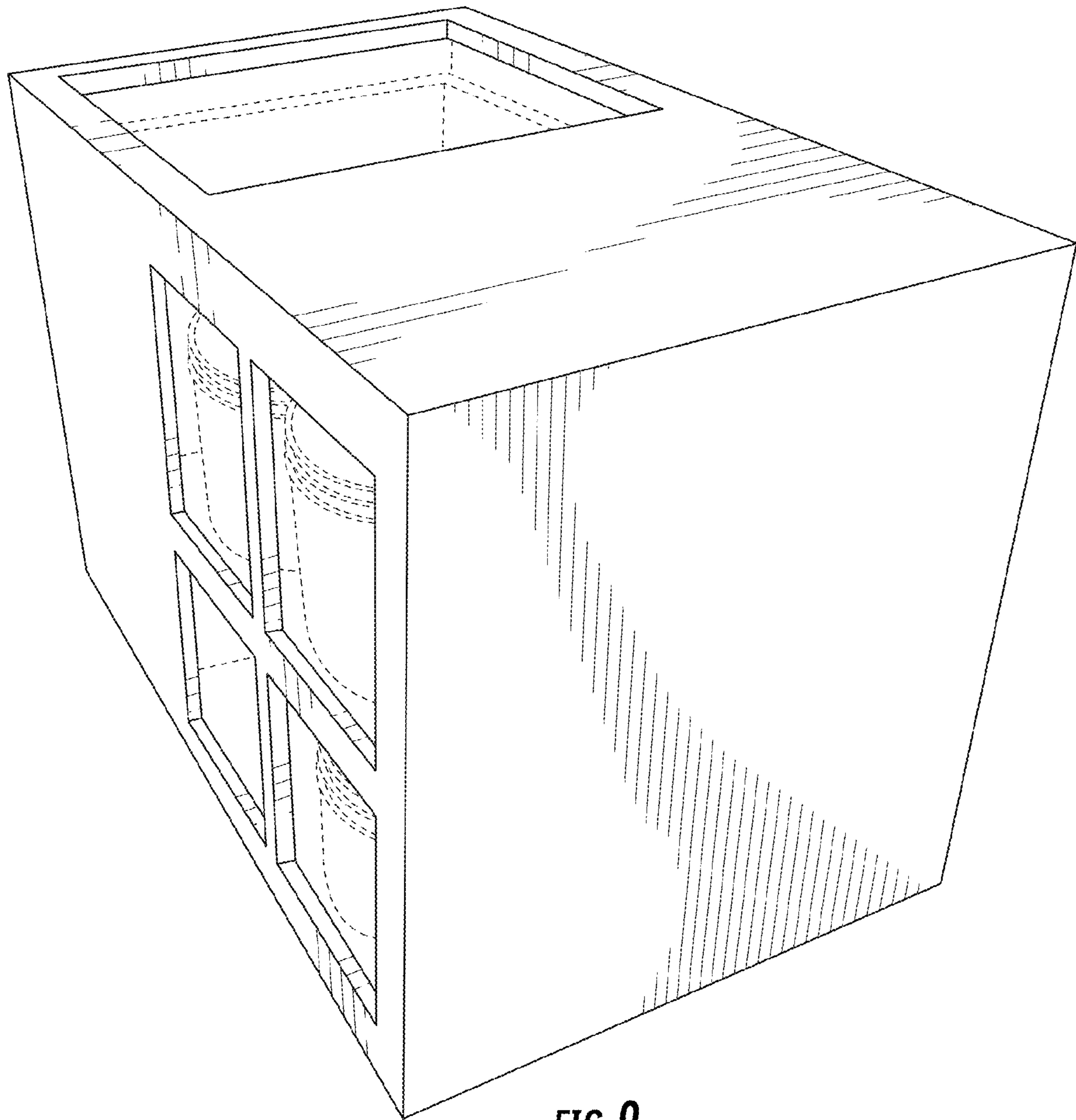




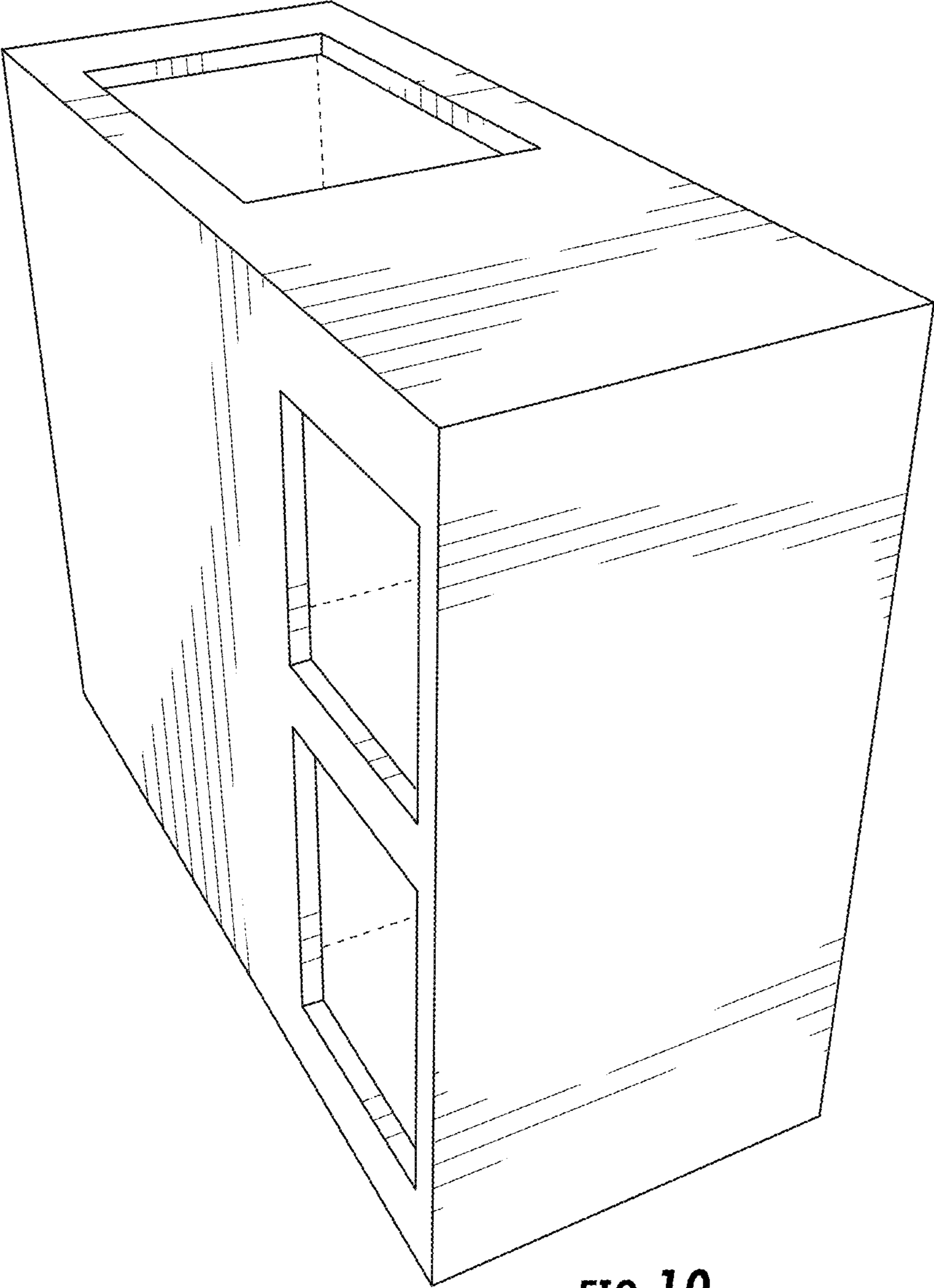
**FIG. 7**



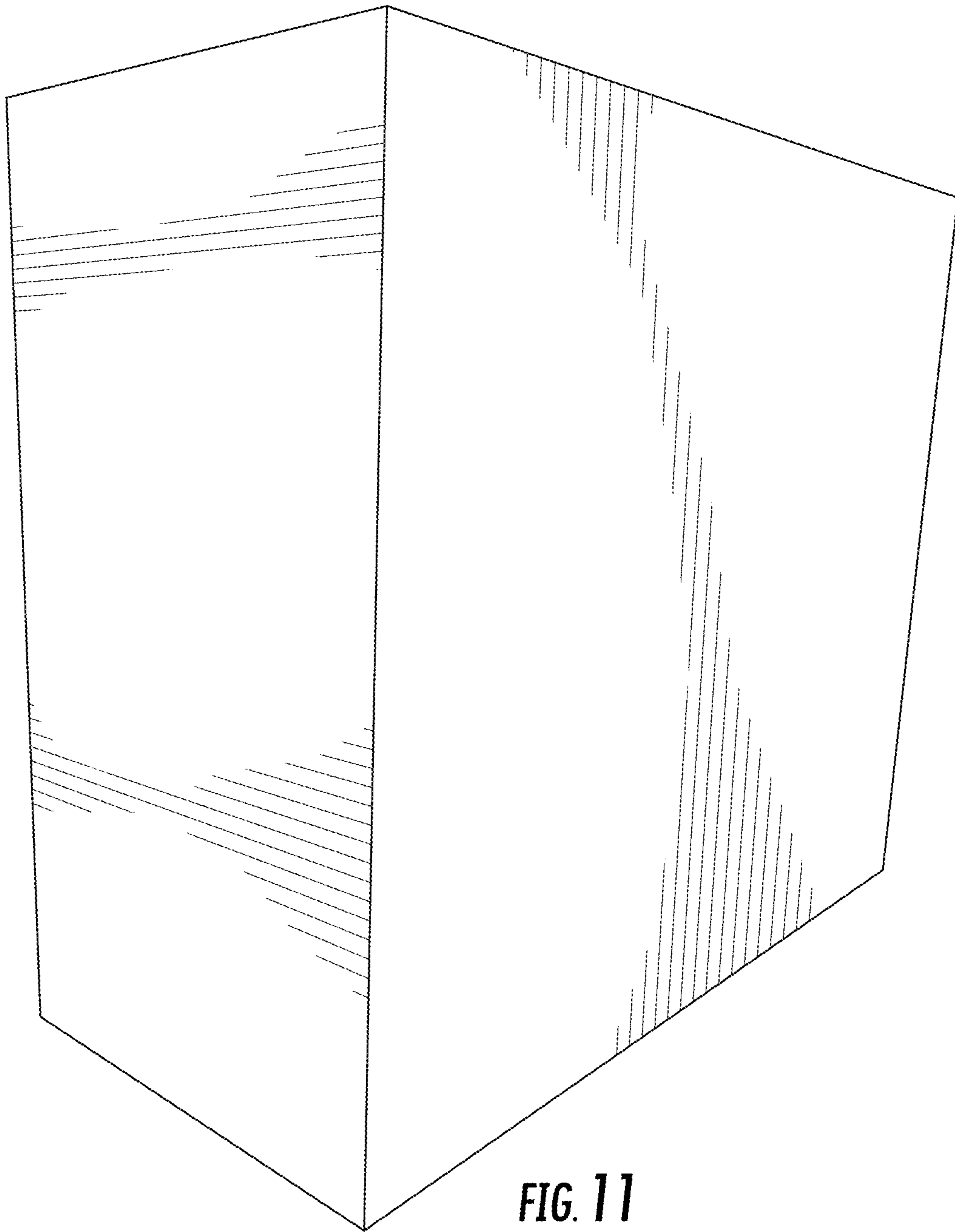
**FIG. 8**



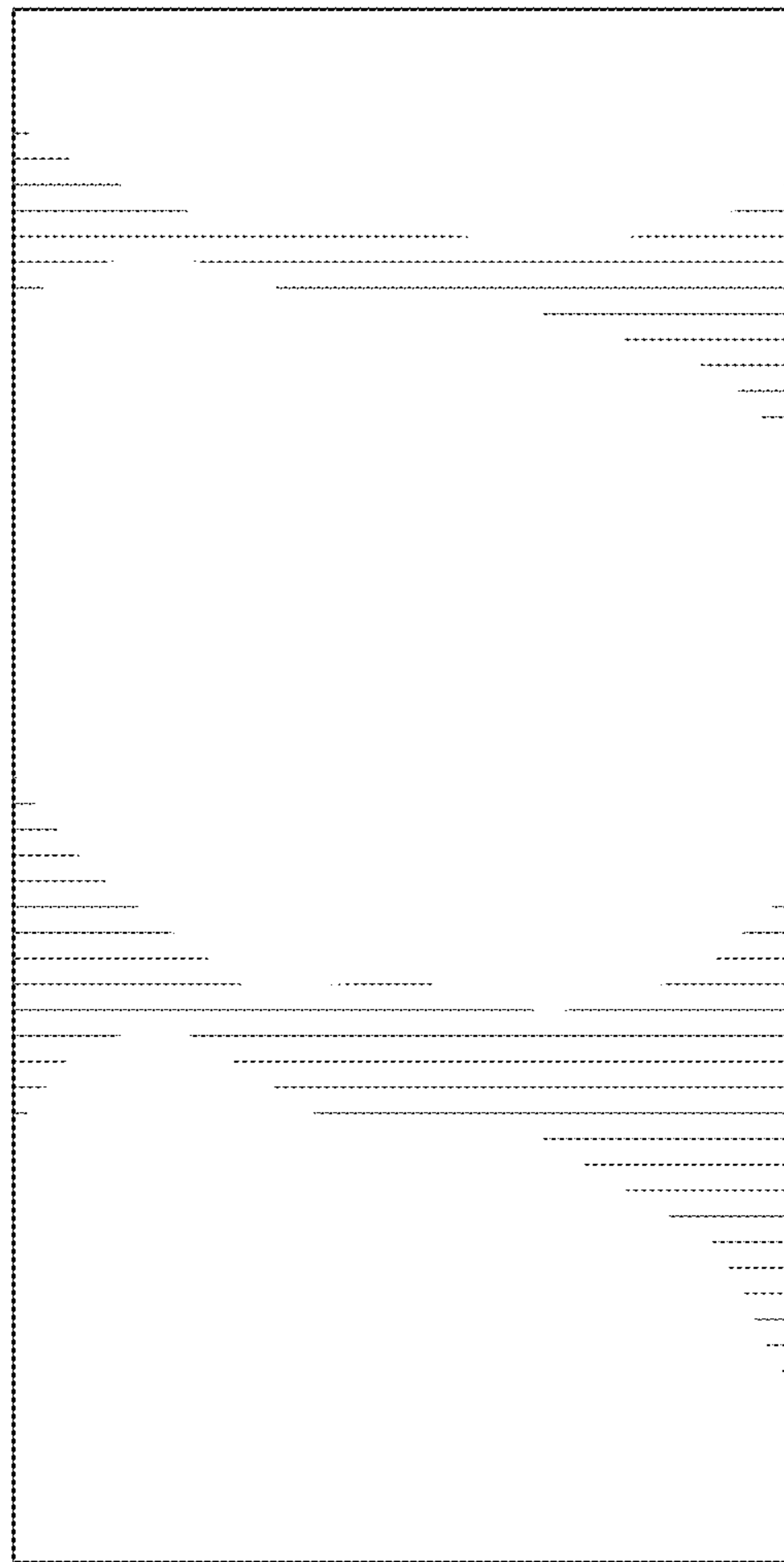
**FIG. 9**



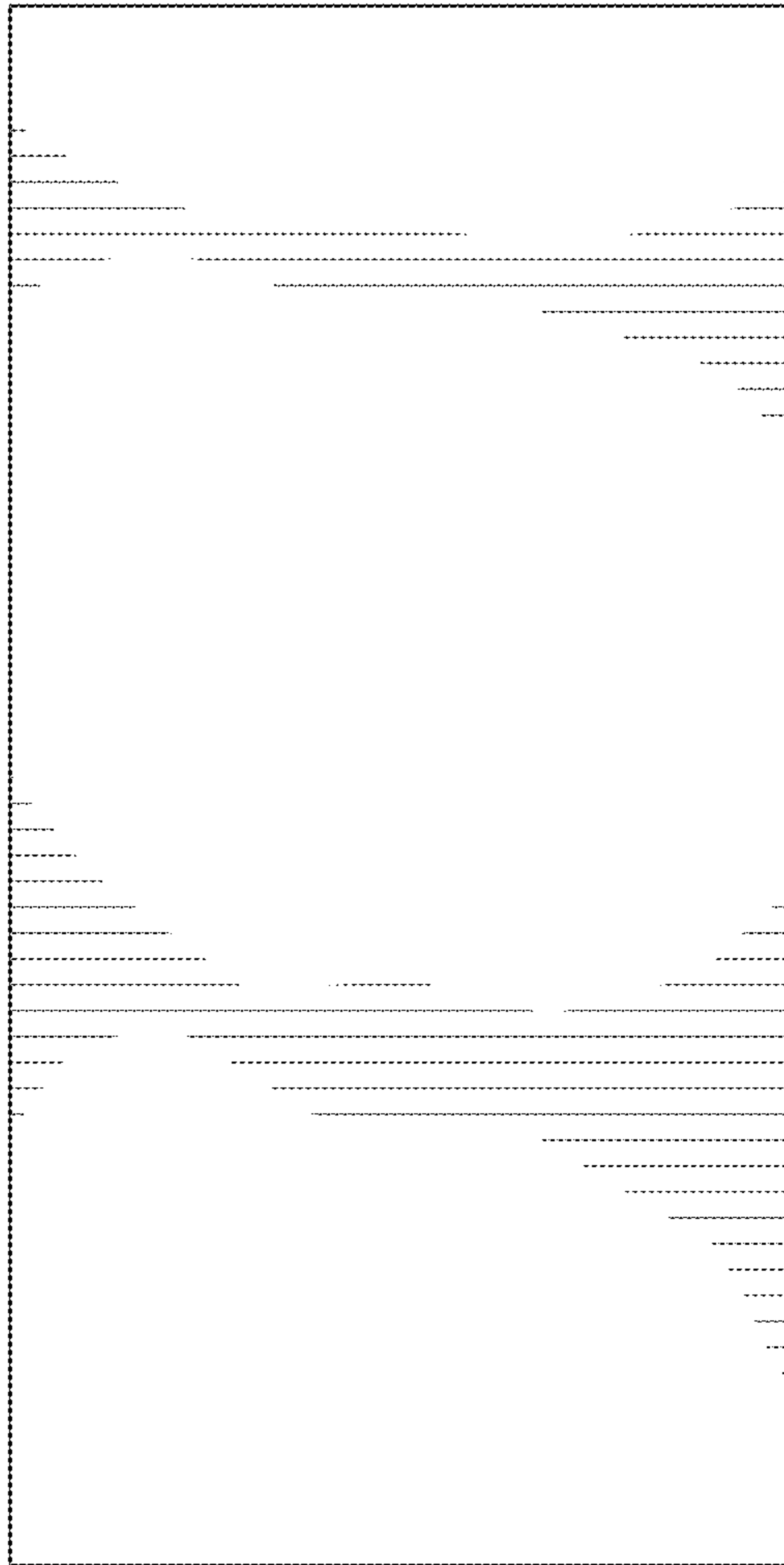
**FIG. 10**



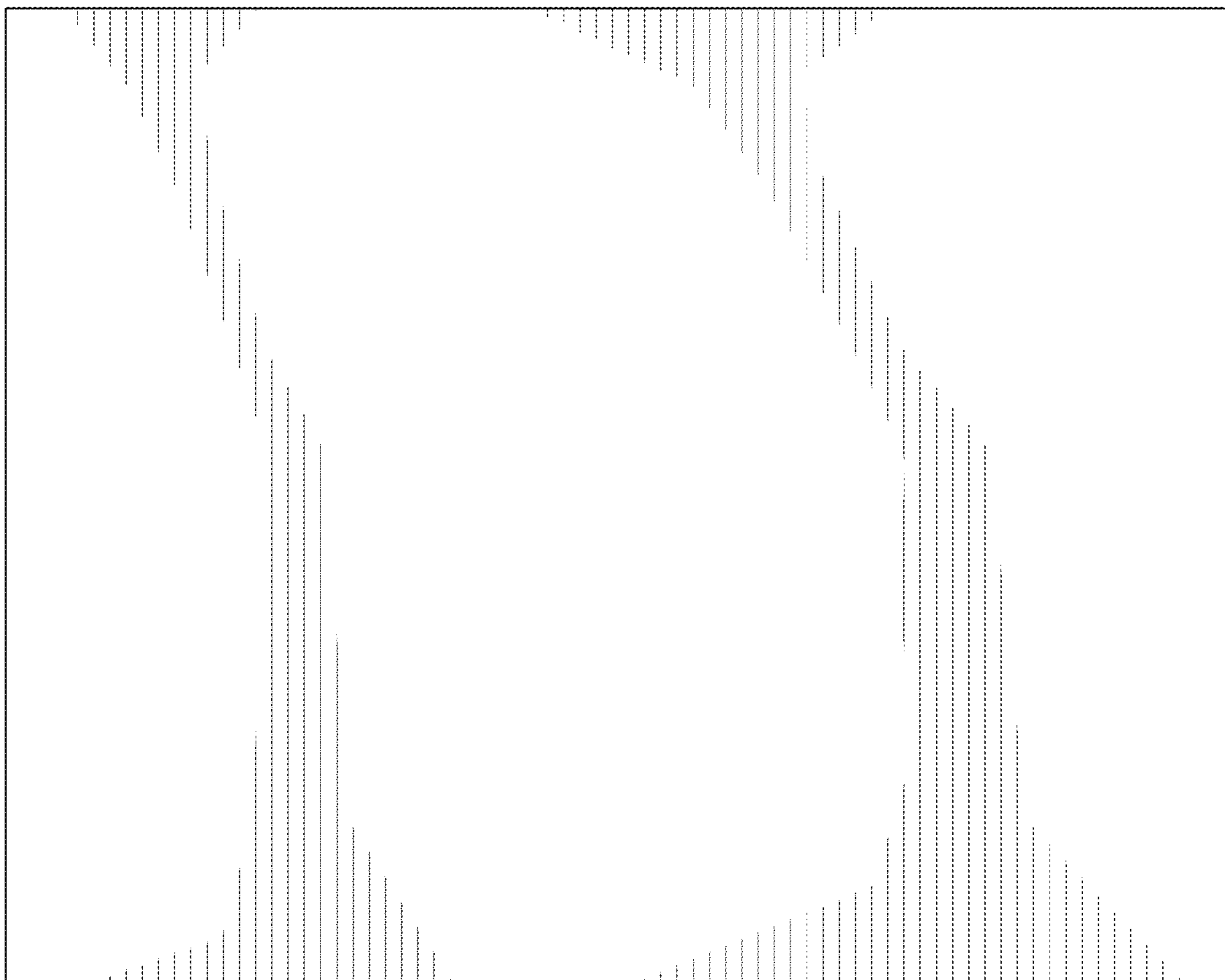
**FIG. 11**



**FIG. 12**

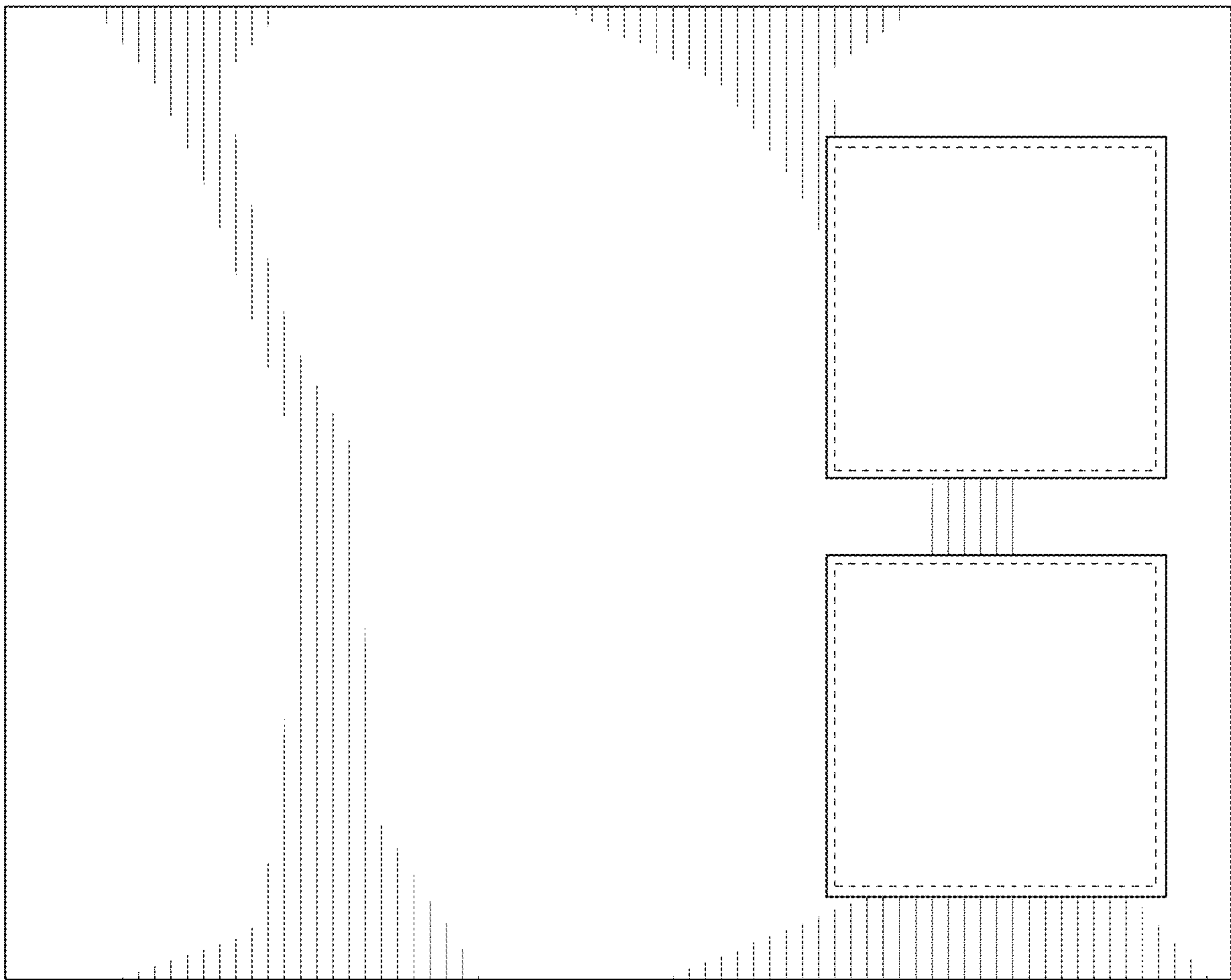


**FIG. 13**

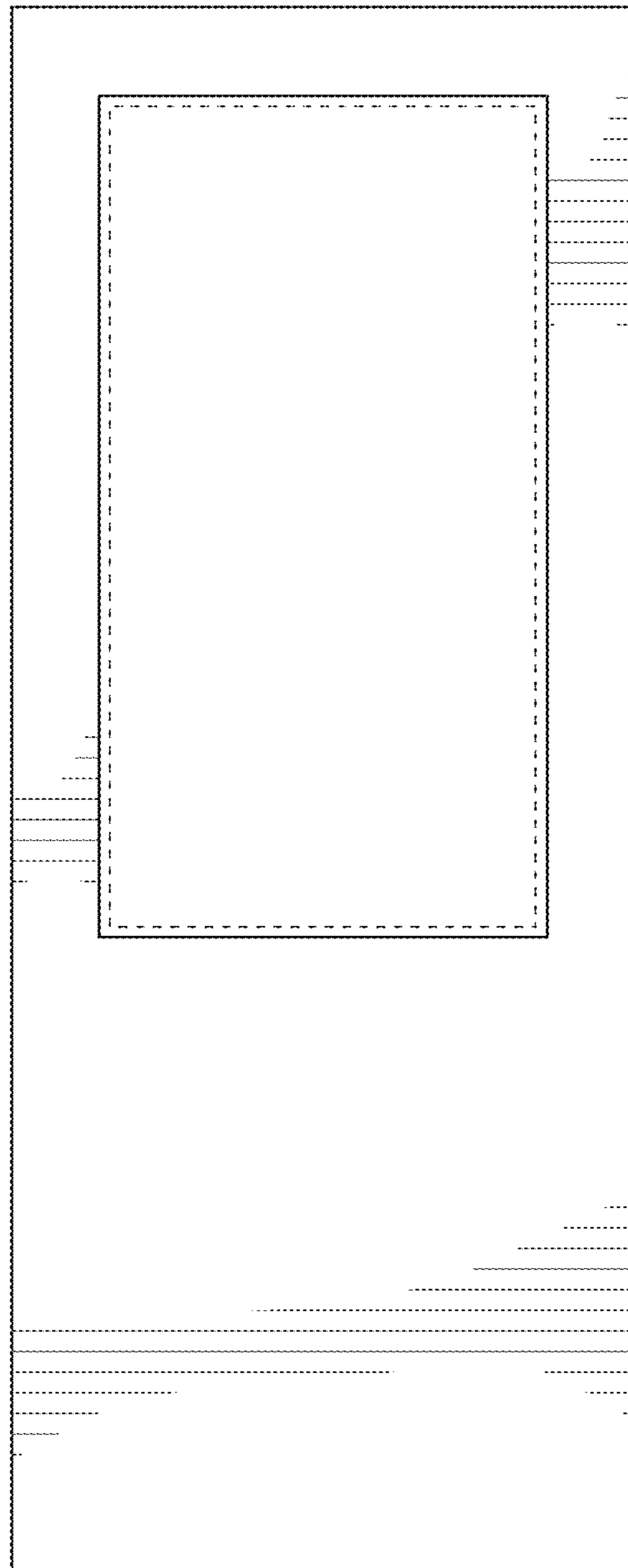


**FIG. 14**

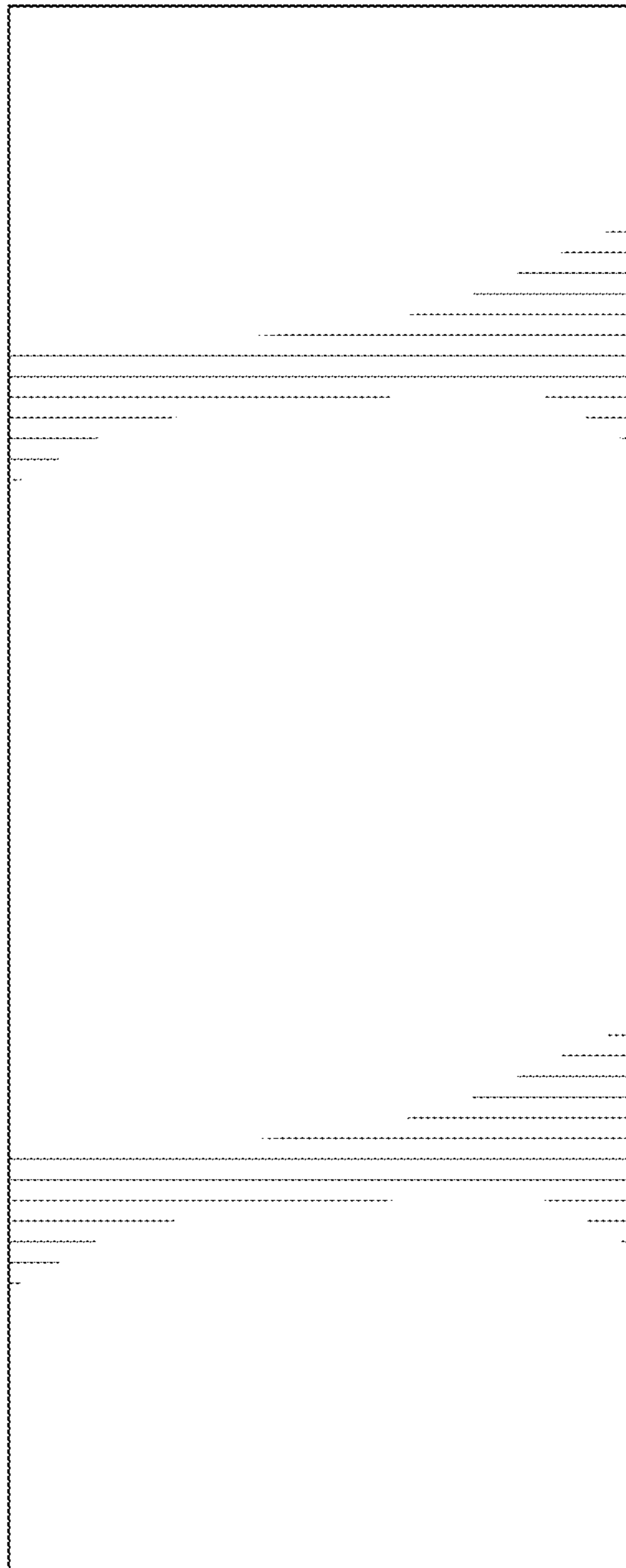




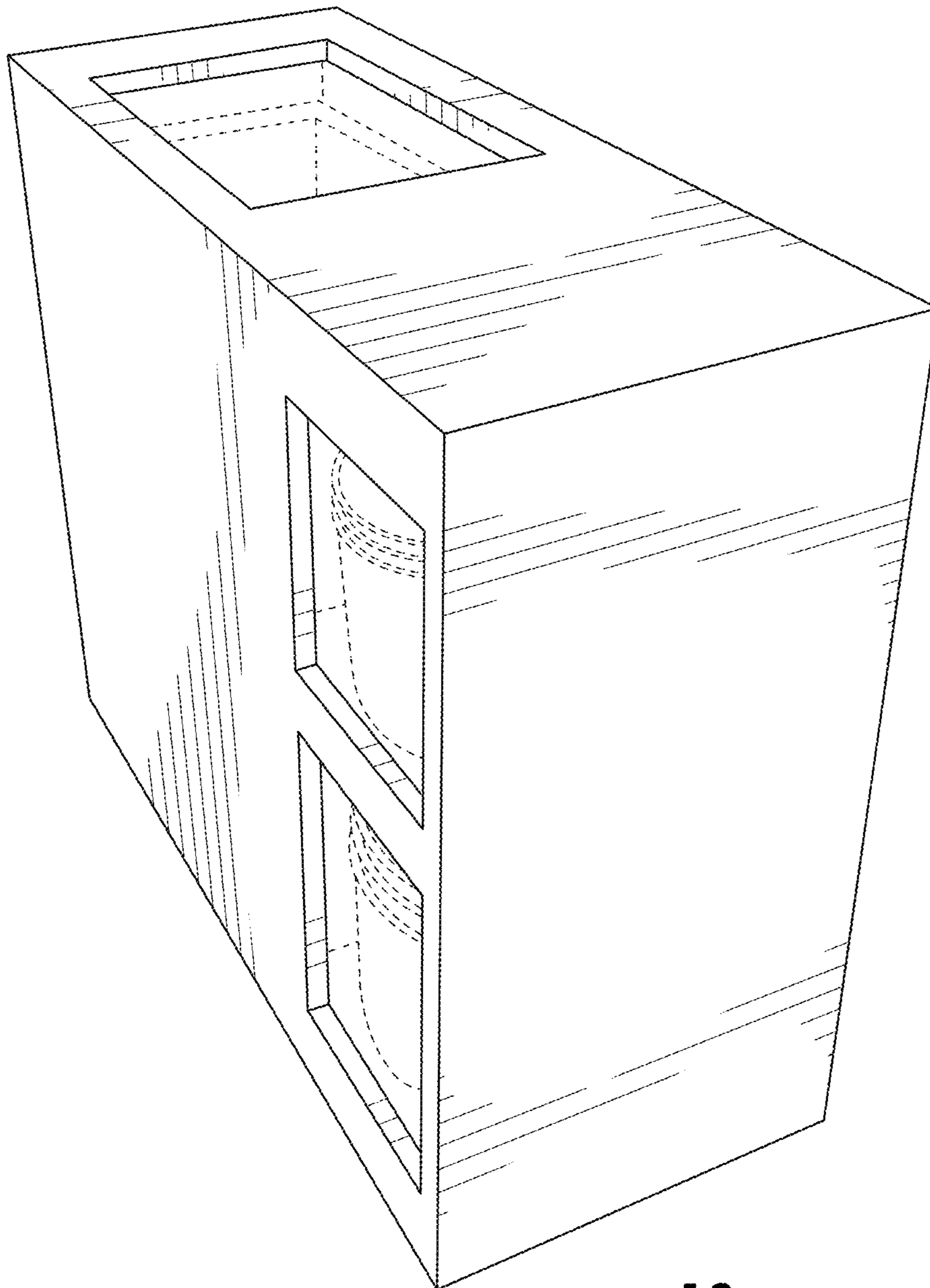
**FIG. 15**



**FIG. 16**



**FIG. 17**



**FIG. 18**