

US00D964681S

(12) **United States Design Patent** (10) **Patent No.:** **US D964,681 S**
Zhou (45) **Date of Patent:** **** Sep. 20, 2022**

(54) **DISH RACK**

FOREIGN PATENT DOCUMENTS

(71) Applicant: **Dongguan New Olive Branch Hardware Products Co., Ltd.**,
Dongguan (CN)

CN 307177625 * 3/2022

(72) Inventor: **Fenghua Zhou**, Jinshi (CN)

OTHER PUBLICATIONS

(**) Term: **15 Years**

Amazon.com Dish Drying Rack <https://www.amazon.com/dp/B09N35NS1M?tag=wokandrollrestaurant-20&linkCode=osi&th=1&psc=1&keywords=Dish%20Drainer%20Countertop> (Year: 2022).*

(21) Appl. No.: **29/816,644**

* cited by examiner

(22) Filed: **Nov. 23, 2021**

Primary Examiner — Kevin K Rudzinski

(51) **LOC (13) Cl.** **07-05**

Assistant Examiner — Richard E Yenchesky

(52) **U.S. Cl.**

(74) *Attorney, Agent, or Firm* — Che-Yang Chen; Law Office of Michael Chen

USPC **D32/55**

(58) **Field of Classification Search**

USPC D6/525; D30/133; D32/55–59

CPC A47L 19/00; A47L 19/02; A47L 17/00;

A47L 17/04; A47J 47/20; A47J 2201/00;

A47J 47/00; B65D 35/02

See application file for complete search history.

(57) **CLAIM**

The ornamental design for a dish rack, substantially as shown and described.

DESCRIPTION

(56) **References Cited**

U.S. PATENT DOCUMENTS

D630,397	S	*	1/2011	Molayem	D6/678.4
D776,385	S	*	1/2017	Evans	D32/55
9,649,010	B2	*	5/2017	Oh	A47J 47/16
D799,133	S	*	10/2017	Wong	D32/55
D819,289	S	*	5/2018	Umholtz	D32/55
D858,021	S	*	8/2019	Li	D32/55
D862,823	S	*	10/2019	Zhao	D32/55
D899,722	S	*	10/2020	Yang	D32/55
10,835,101	B2	*	11/2020	Singh	A47L 9/2805
D915,708	S	*	4/2021	Tang	D32/55
D928,442	S	*	8/2021	Zhan	D32/55
D939,167	S	*	12/2021	Fan	D32/55
2016/0249783	A1	*	9/2016	Oh	A47L 19/04
						211/41.4

FIG. 1 is a top, front and right side perspective view of a dish rack, showing my new design;

FIG. 2 is a bottom, rear and left side perspective view thereof;

FIG. 3 is a front elevational view thereof;

FIG. 4 is a rear elevational view thereof;

FIG. 5 is a left side elevational view thereof;

FIG. 6 is a right side elevational view thereof;

FIG. 7 is a top plan view thereof;

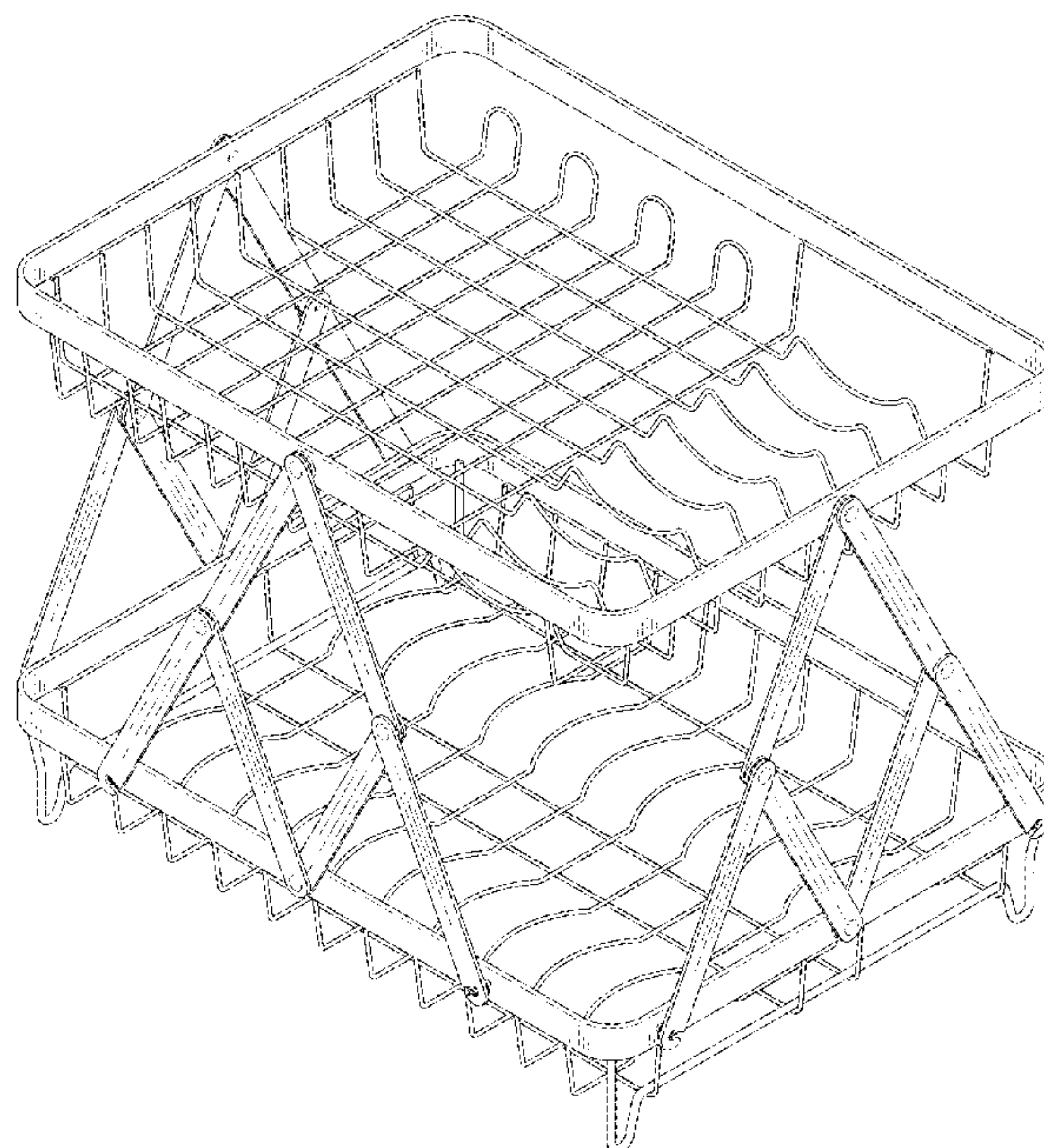
FIG. 8 is a bottom plan view thereof;

FIG. 9 is the state diagram of its bracket disassembled;

FIG. 10 is a perspective view of the front, right and top sides in its folded state; and,

FIG. 11 is a perspective view of the back, left and bottom in its folded state.

1 Claim, 11 Drawing Sheets



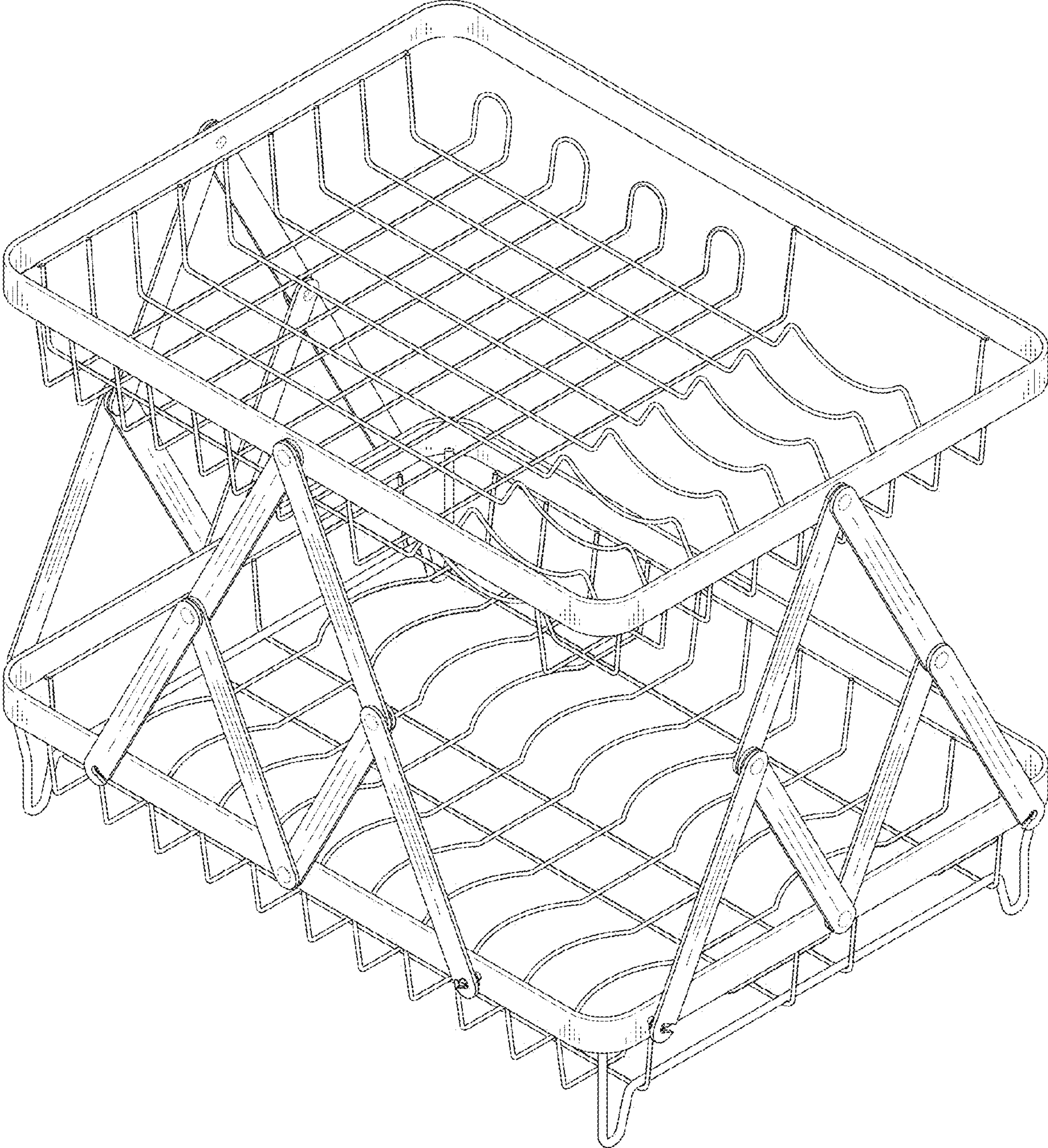


FIG. 1

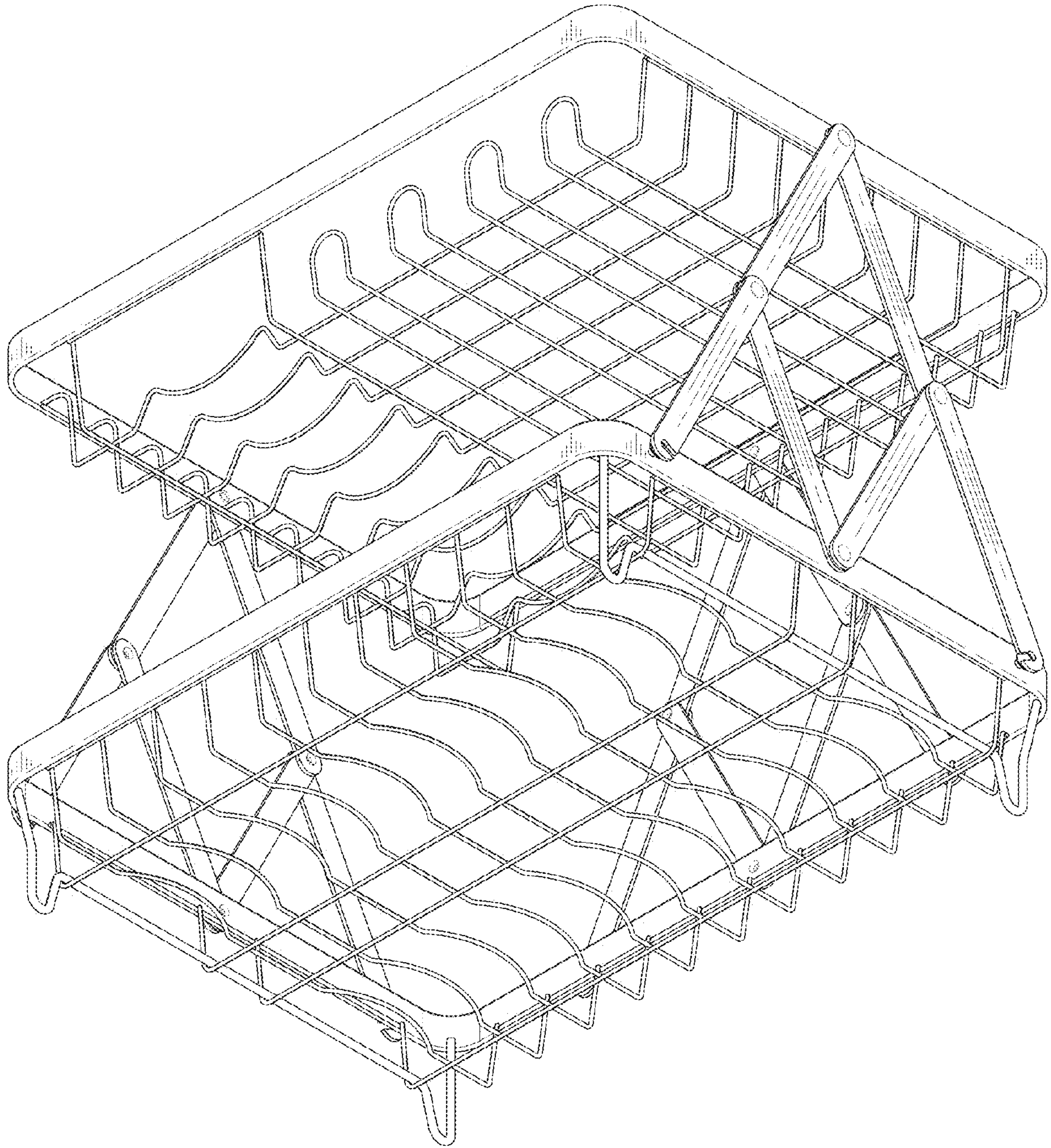


FIG.2

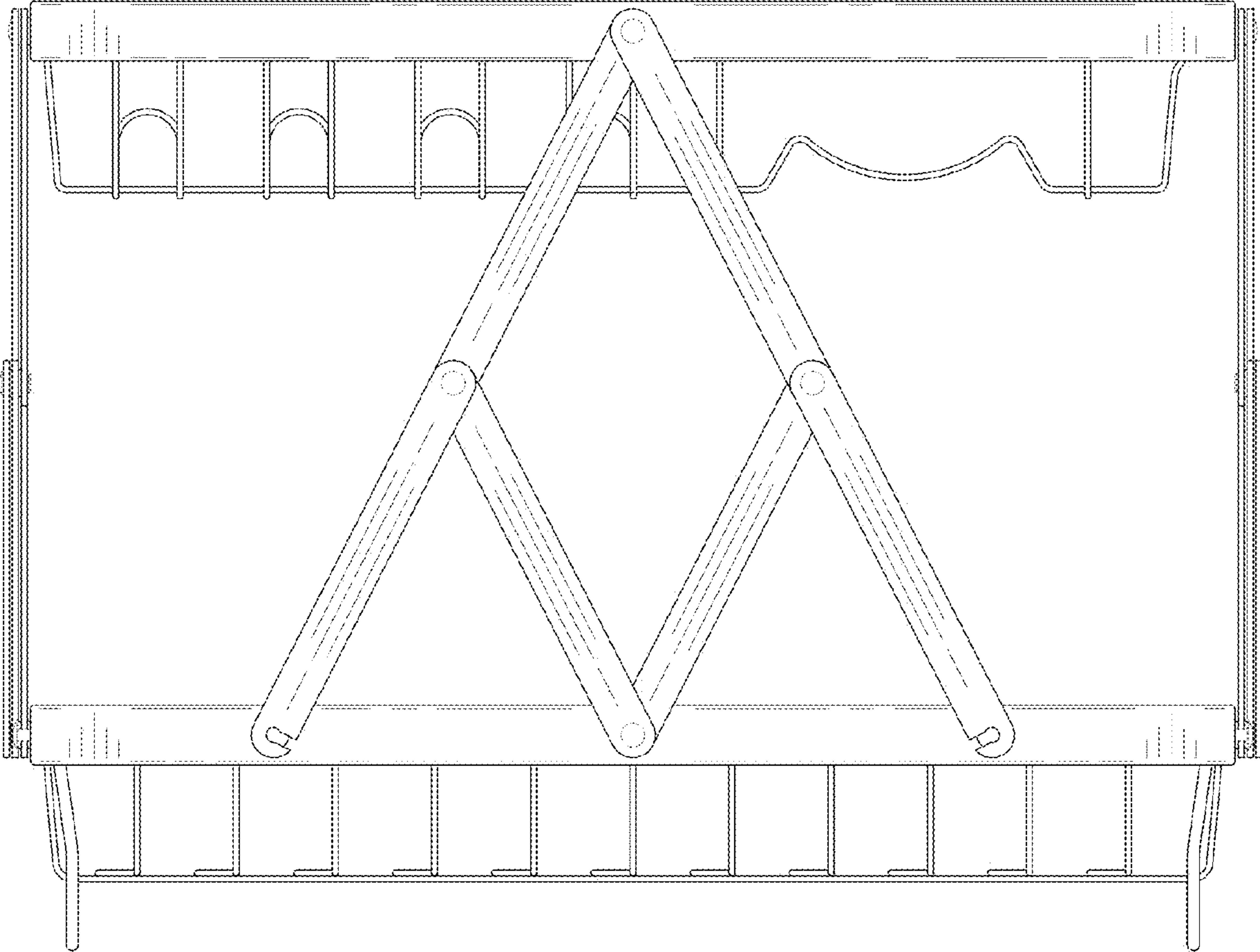


FIG.3

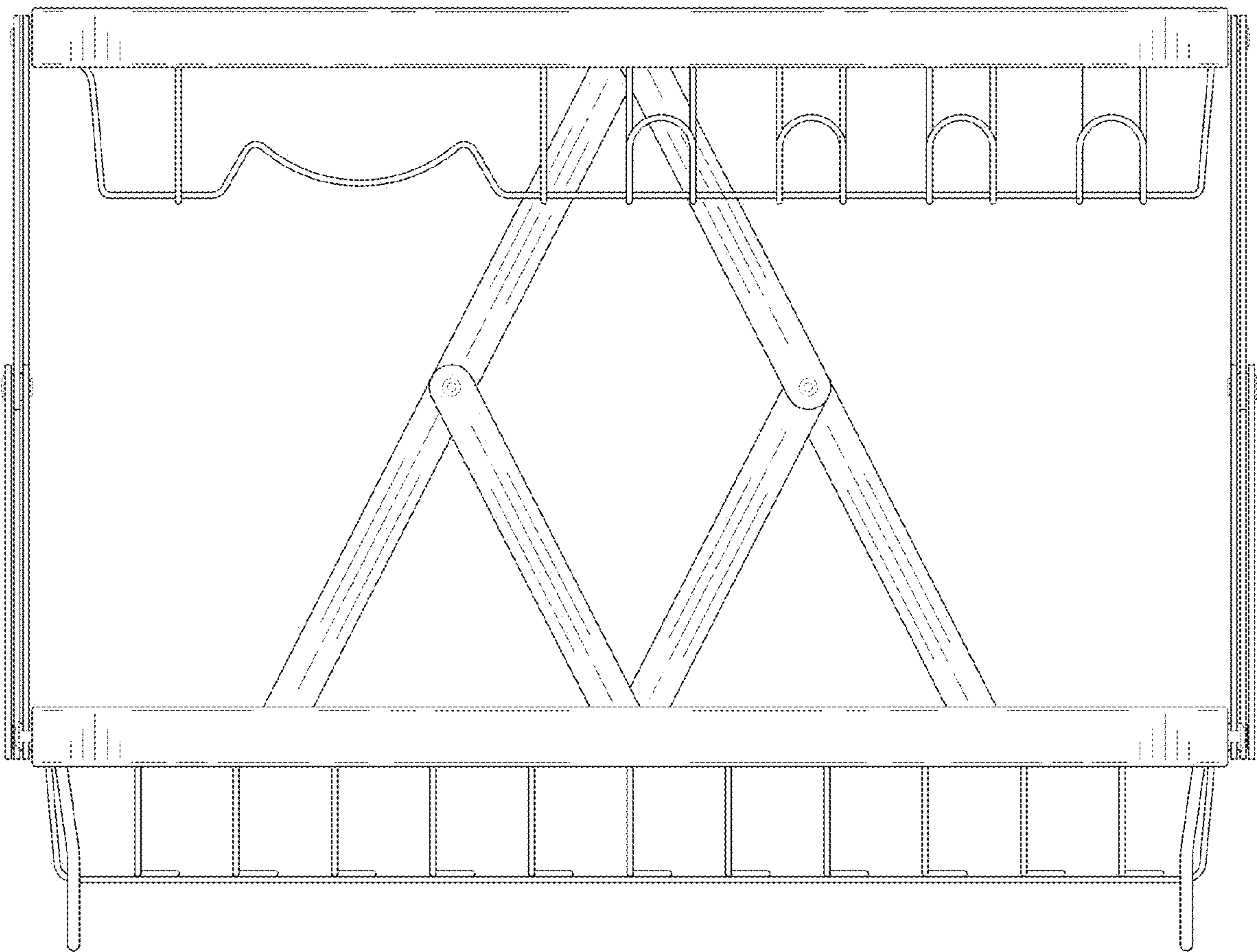


FIG.4

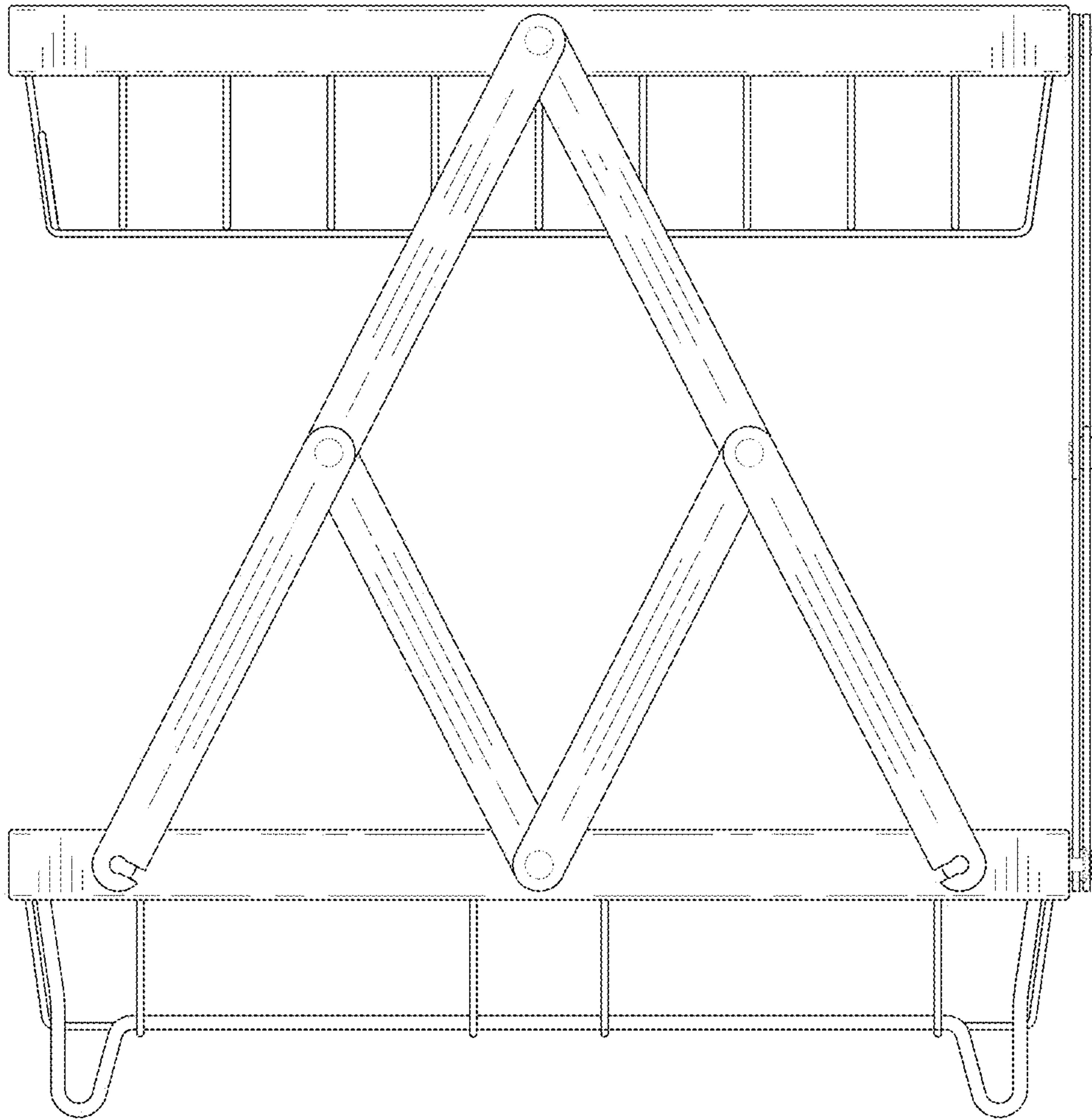


FIG.5

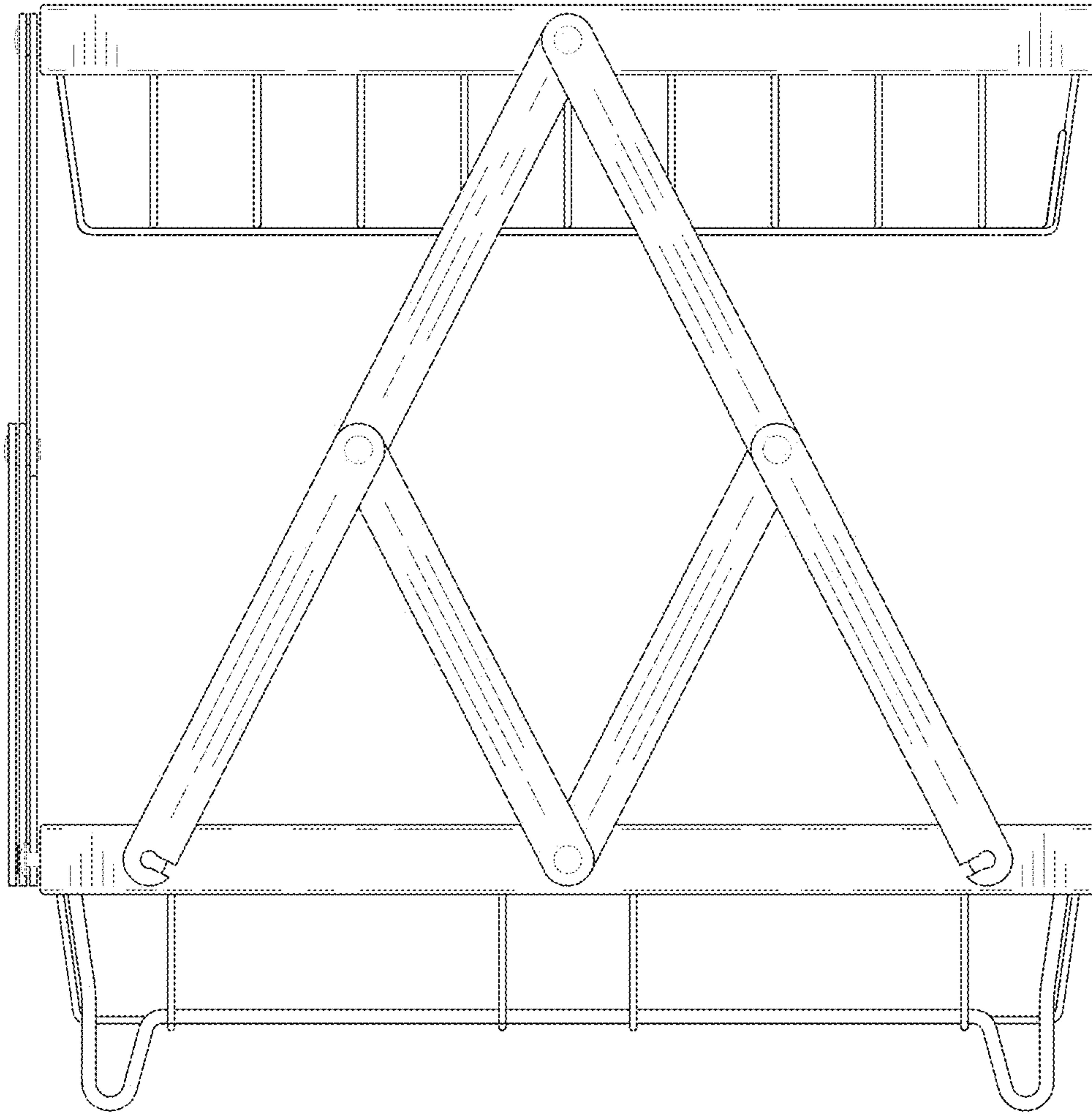


FIG.6

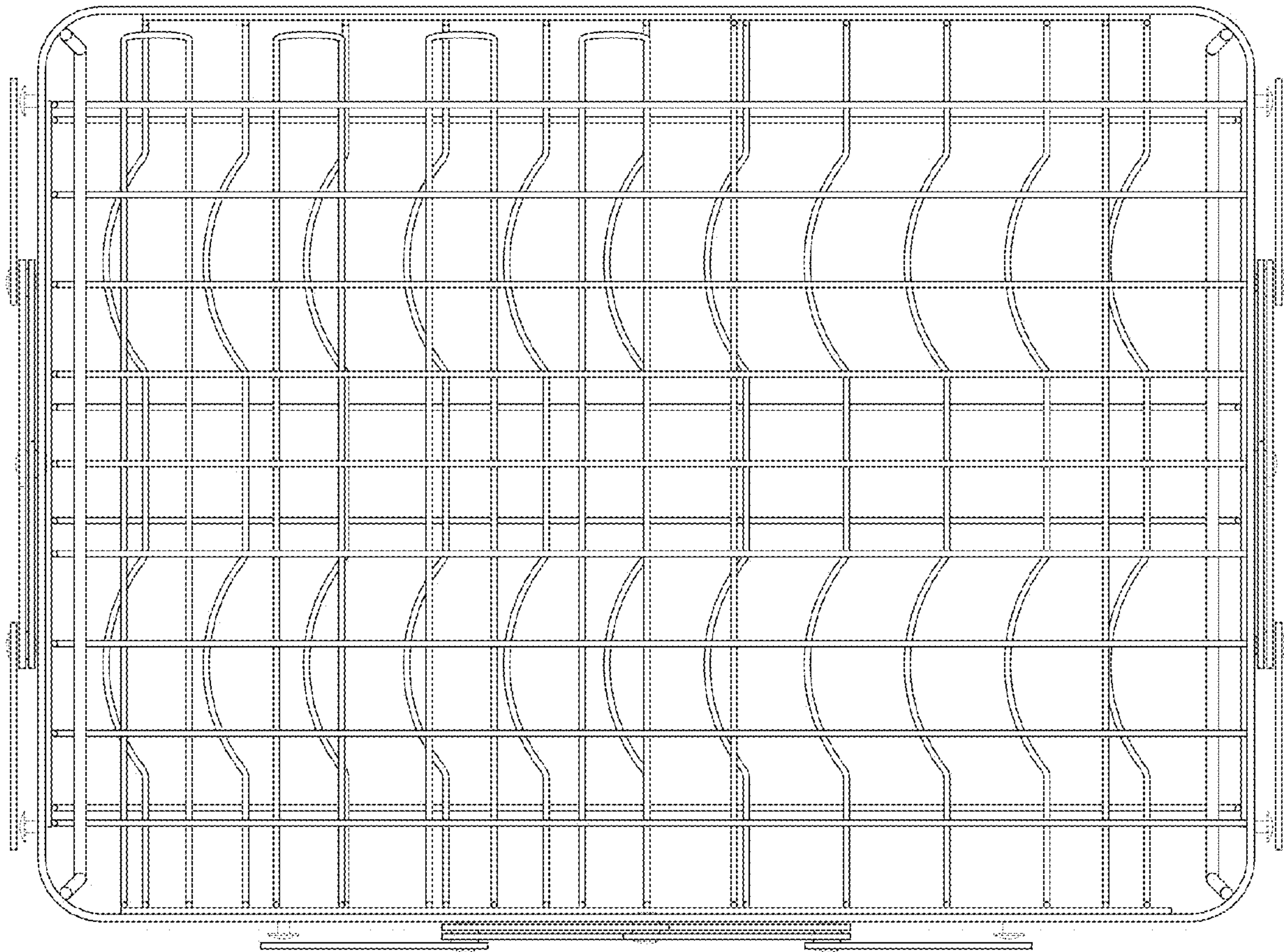


FIG. 7

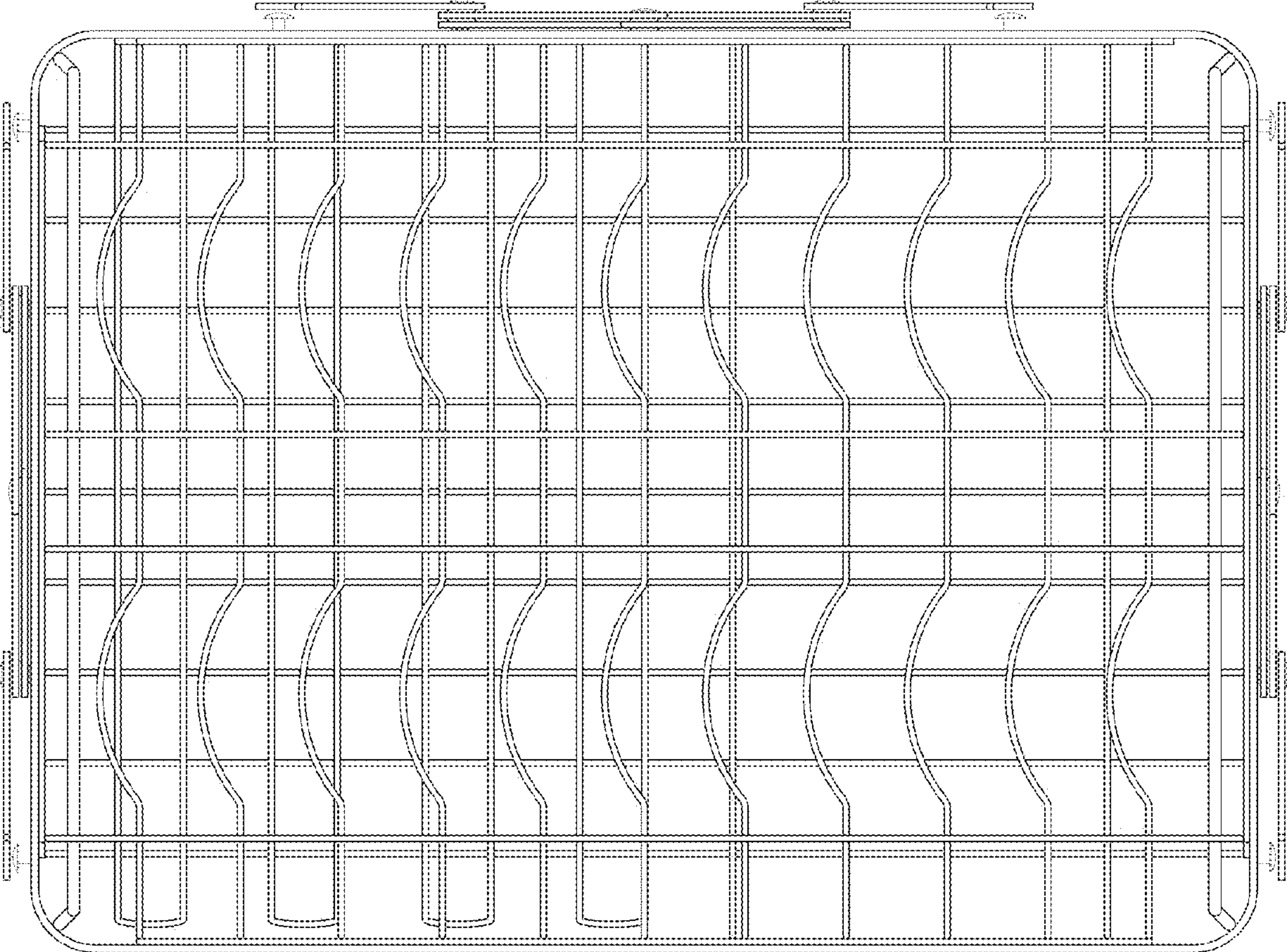


FIG.8

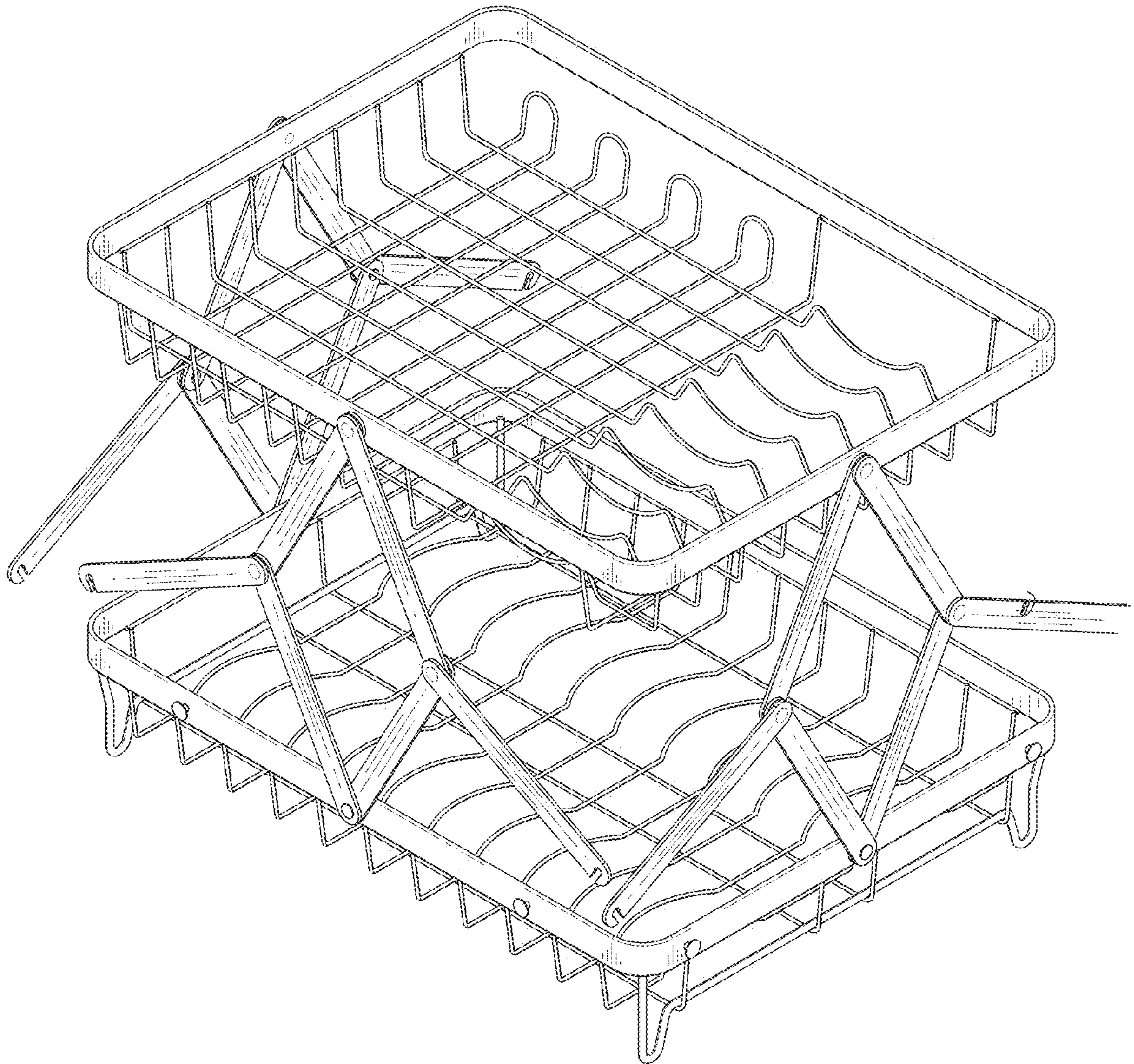


FIG.9

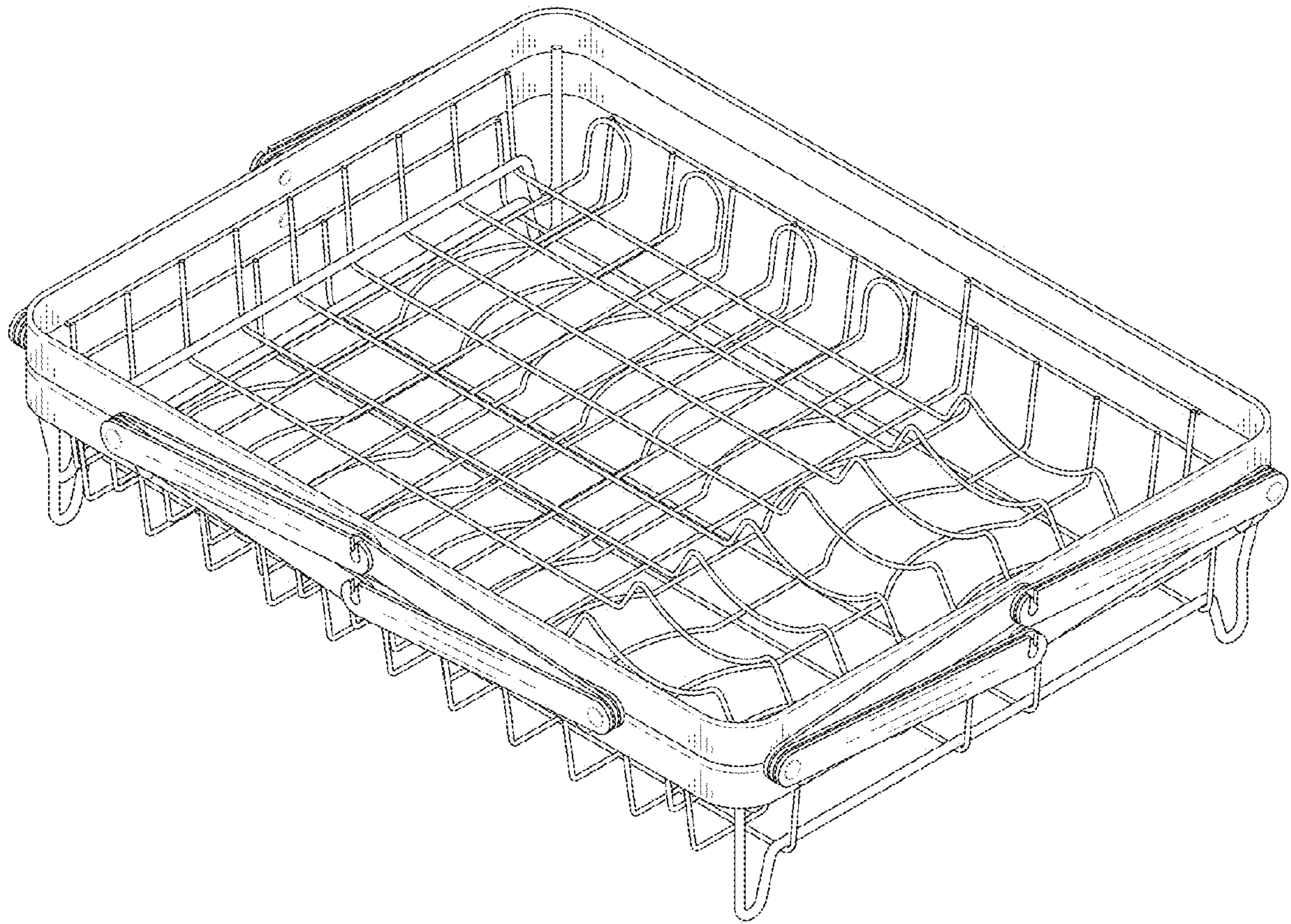


FIG. 10

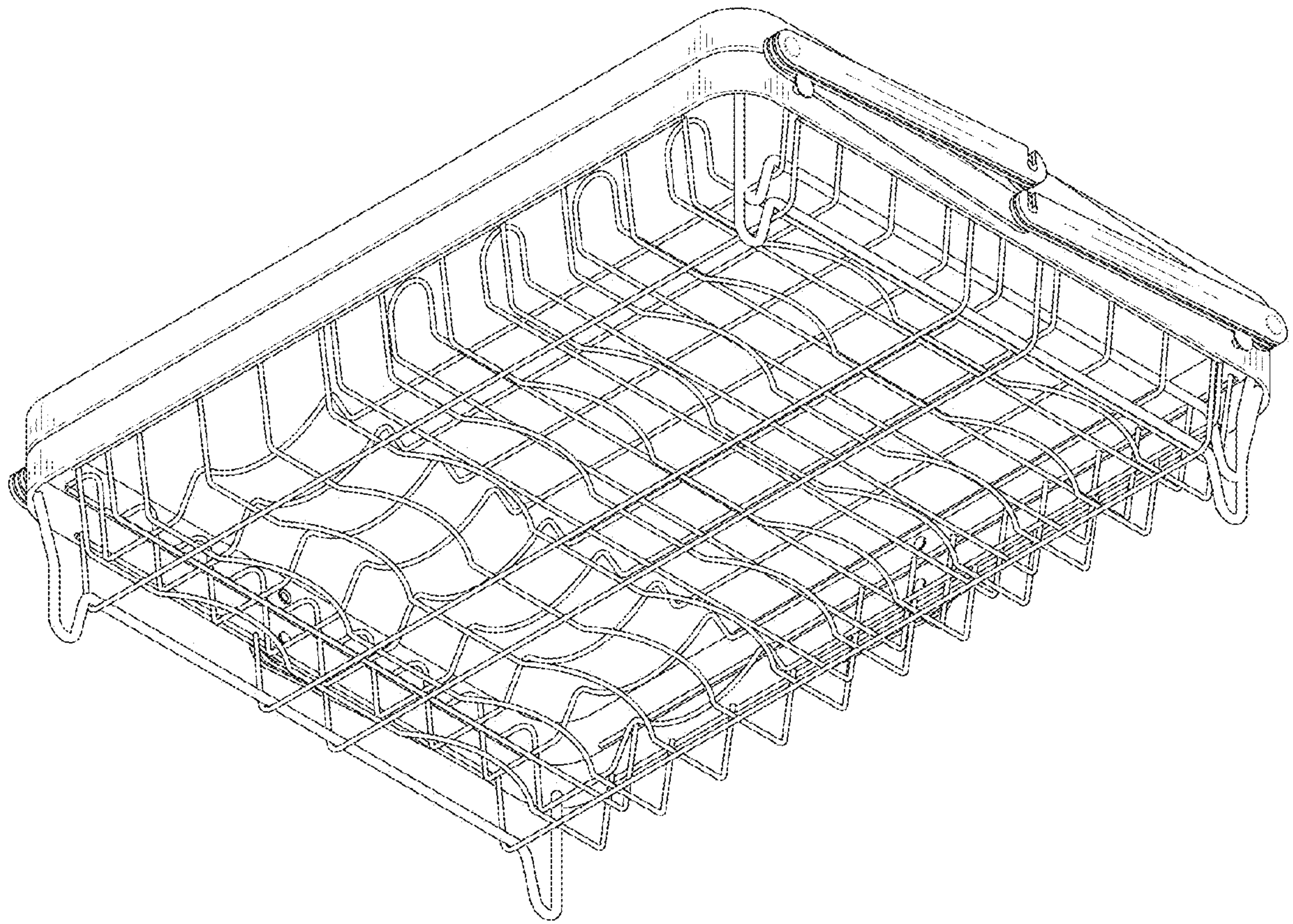


FIG. 11