

US00D964680S

(12) **United States Design Patent**
Lin

(10) **Patent No.:** **US D964,680 S**

(45) **Date of Patent:** **** Sep. 20, 2022**

(54) **DRAIN RACK**

(71) Applicant: **Guo Fu Lin**, Guangzhou (CN)

(72) Inventor: **Guo Fu Lin**, Guangzhou (CN)

(**) Term: **15 Years**

(21) Appl. No.: **29/769,376**

(22) Filed: **Feb. 4, 2021**

(51) **LOC (13) Cl.** **07-05**

(52) **U.S. Cl.**

USPC **D32/55**

(58) **Field of Classification Search**

USPC D32/55, 276, 3; D6/510, 525; D30/133;
211/41.5, 41.4, 41.3, 41.8; 361/679.4;
312/311, 333, 334.4; D7/354, 629

CPC A47J 47/20; A47J 2201/00; A47J 47/00;
B65D 35/02; B65D 35/22; B65D 35/56

See application file for complete search history.

(56) **References Cited**

U.S. PATENT DOCUMENTS

D635,383 S *	4/2011	Yang	D6/525
D690,483 S *	9/2013	Renz	D32/55
D699,012 S *	2/2014	Ziemann	D32/55
D706,009 S *	5/2014	Cooper	D32/58
D731,728 S *	6/2015	Evans	D32/55
D762,934 S *	8/2016	Evans	D32/55

D796,763 S *	9/2017	Reches	D32/55
D836,942 S *	1/2019	Evans	D6/525
D871,702 S *	12/2019	Kauffman	D32/55
D885,700 S *	5/2020	Joseph	D32/55
D887,712 S *	6/2020	Stevens	D3/313
D916,412 S *	4/2021	Moody Fear	D32/55
D922,716 S *	6/2021	Zhou	D32/58

* cited by examiner

Primary Examiner — Austin Murphy

(57) **CLAIM**

The ornamental design for a drain rack, as shown and described.

DESCRIPTION

FIG. 1 is a first perspective view of a drain rack showing my new design;

FIG. 2 is a second perspective view thereof;

FIG. 3 is a front view thereof;

FIG. 4 is a back view thereof;

FIG. 5 is a left side view thereof;

FIG. 6 is a right side view thereof;

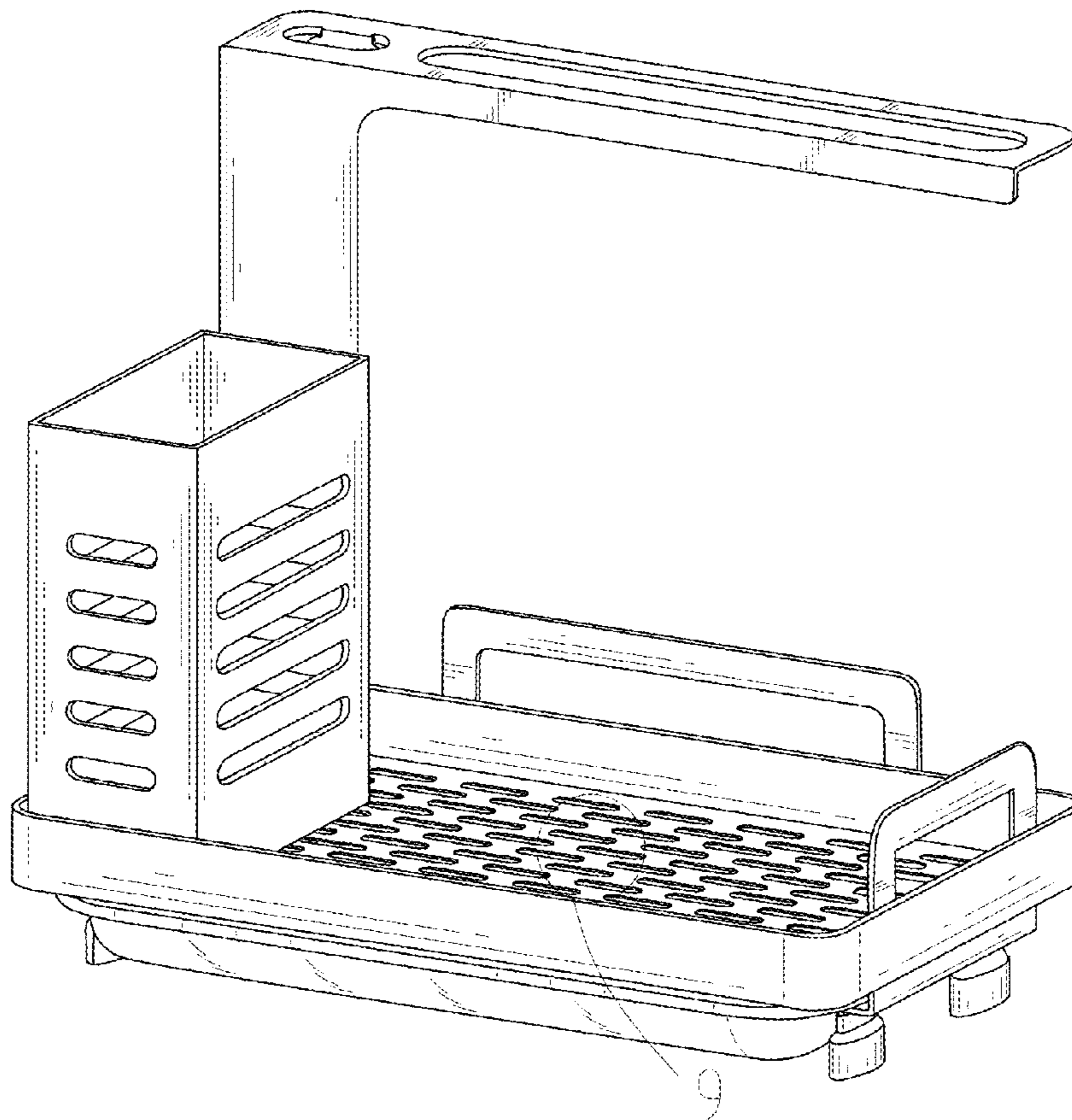
FIG. 7 is a top view thereof;

FIG. 8 is a bottom view thereof; and,

FIG. 9 is an enlarged view of the selected portion in FIG. 1.

The broken lines shown in the drawings depict portions of the drain rack in which the design is embodied that form no part of the claimed design.

1 Claim, 9 Drawing Sheets



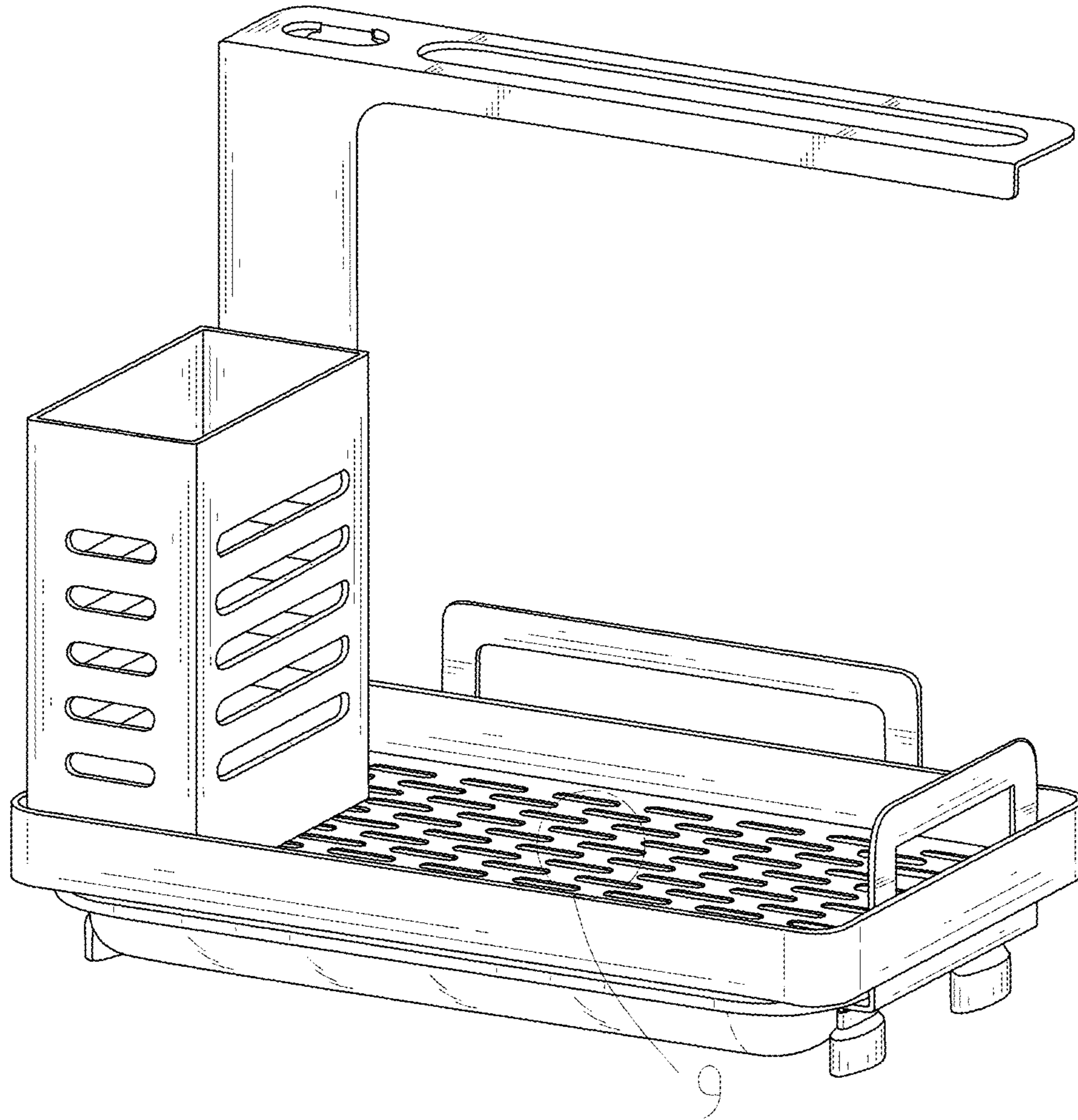


FIG. 1

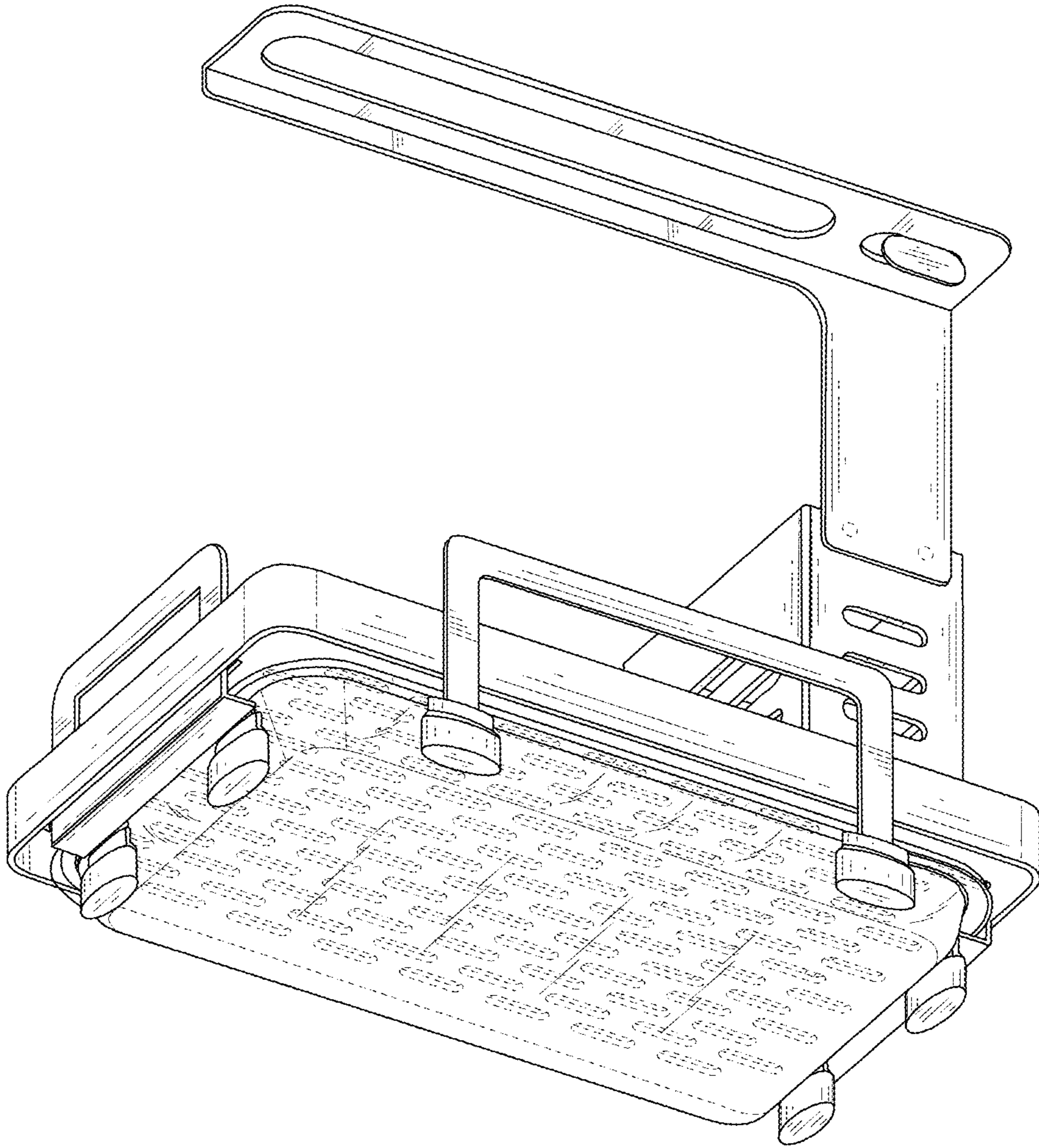


FIG. 2

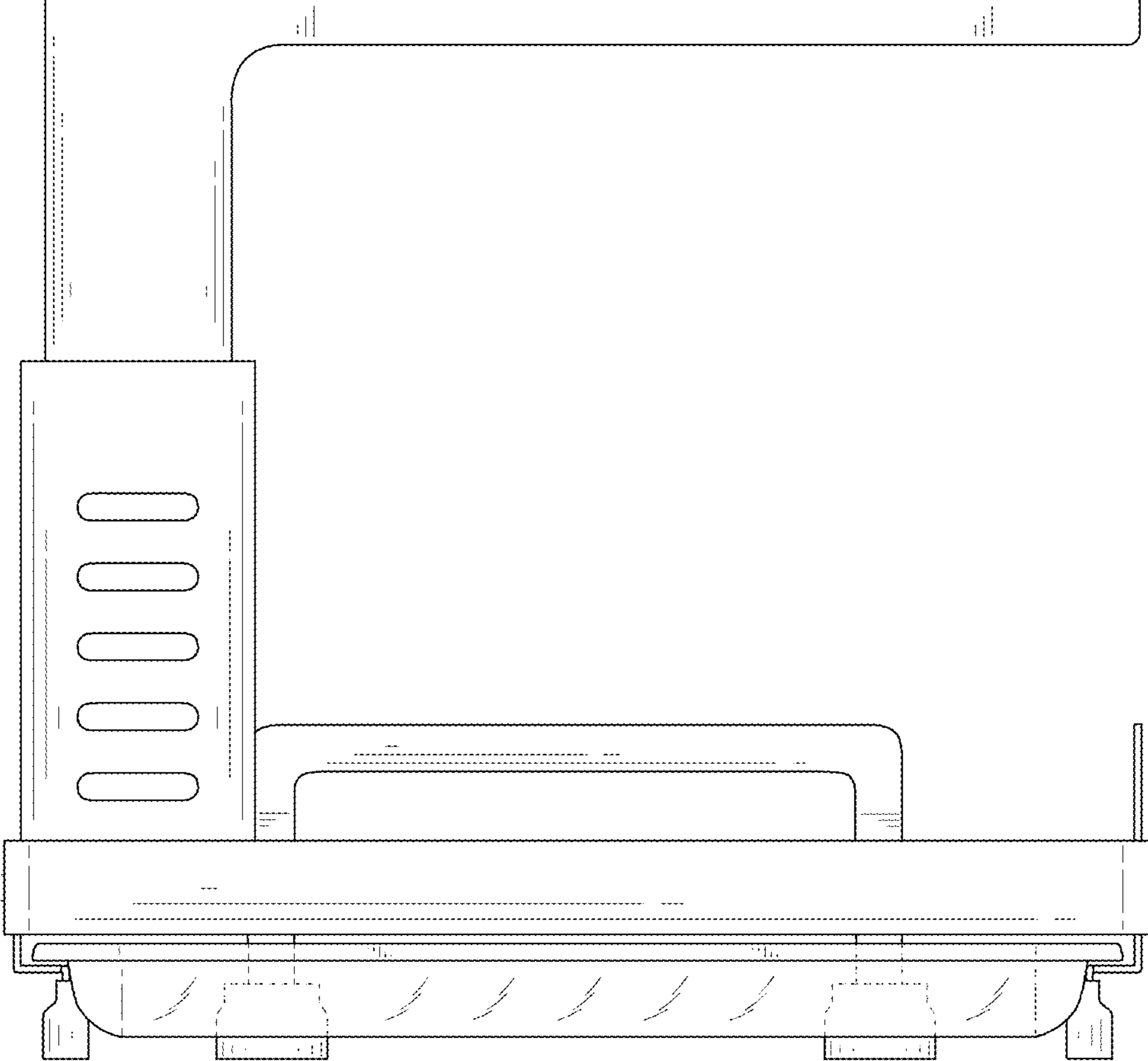


FIG. 3

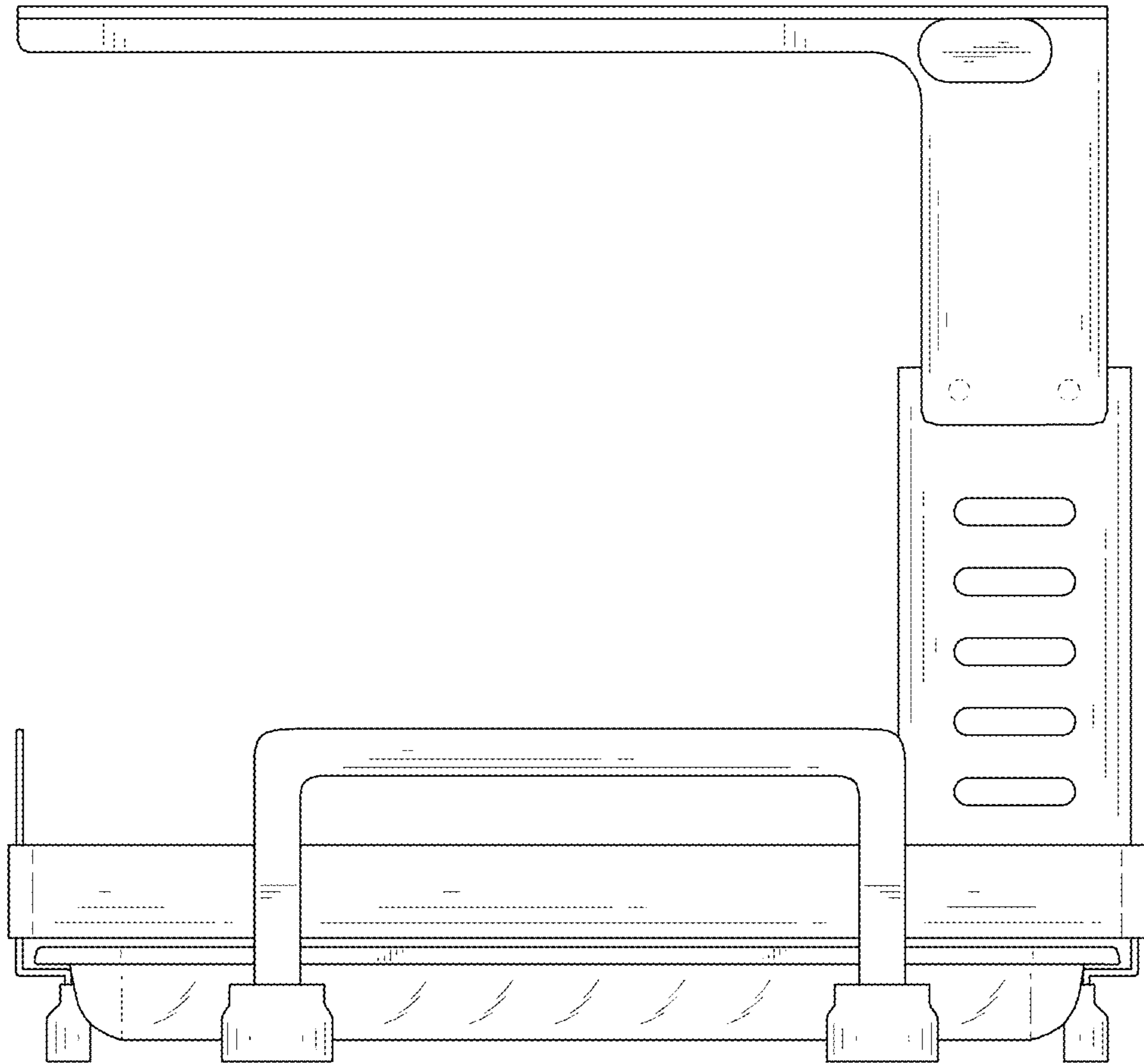


FIG. 4

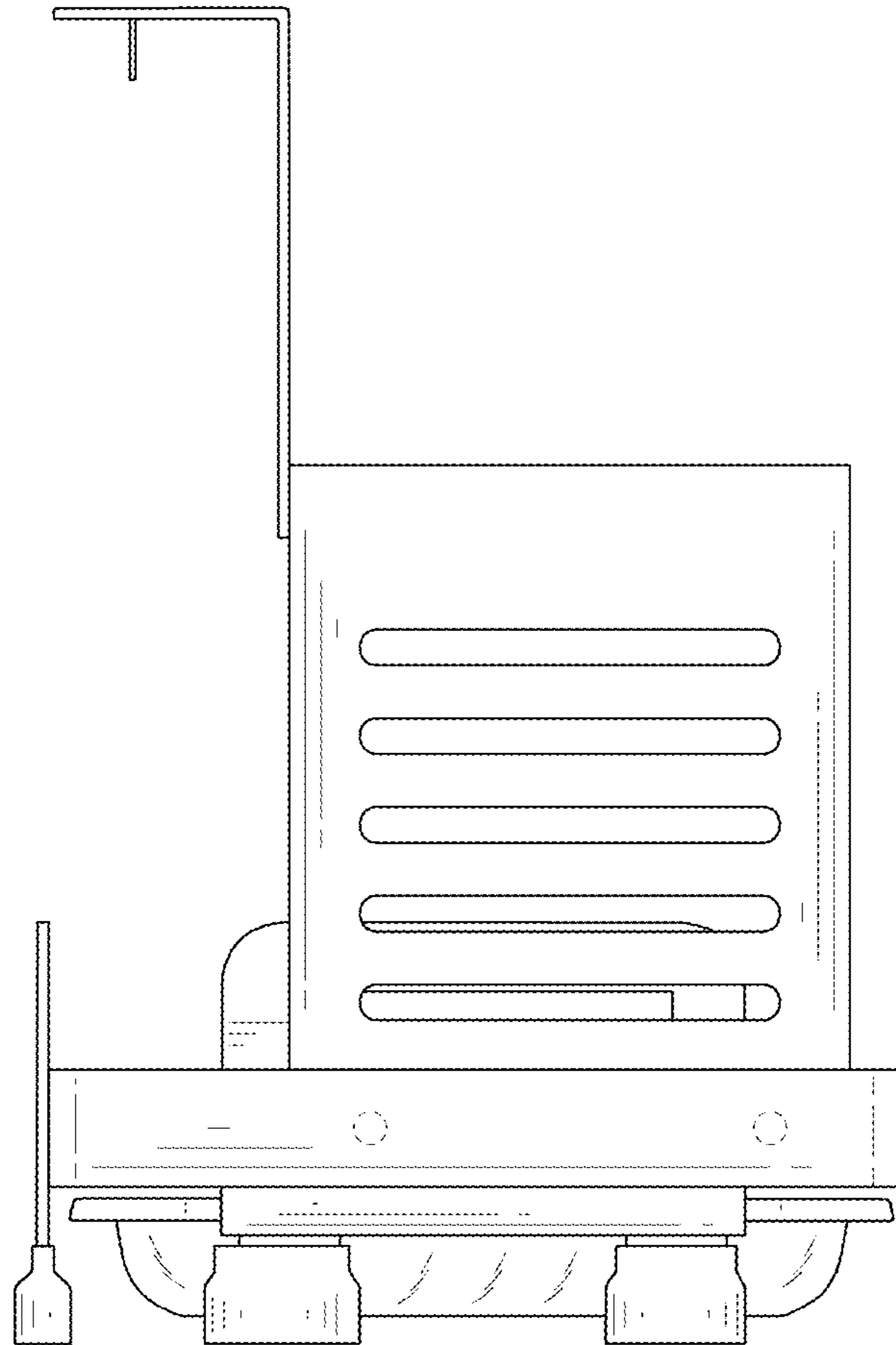


FIG. 5

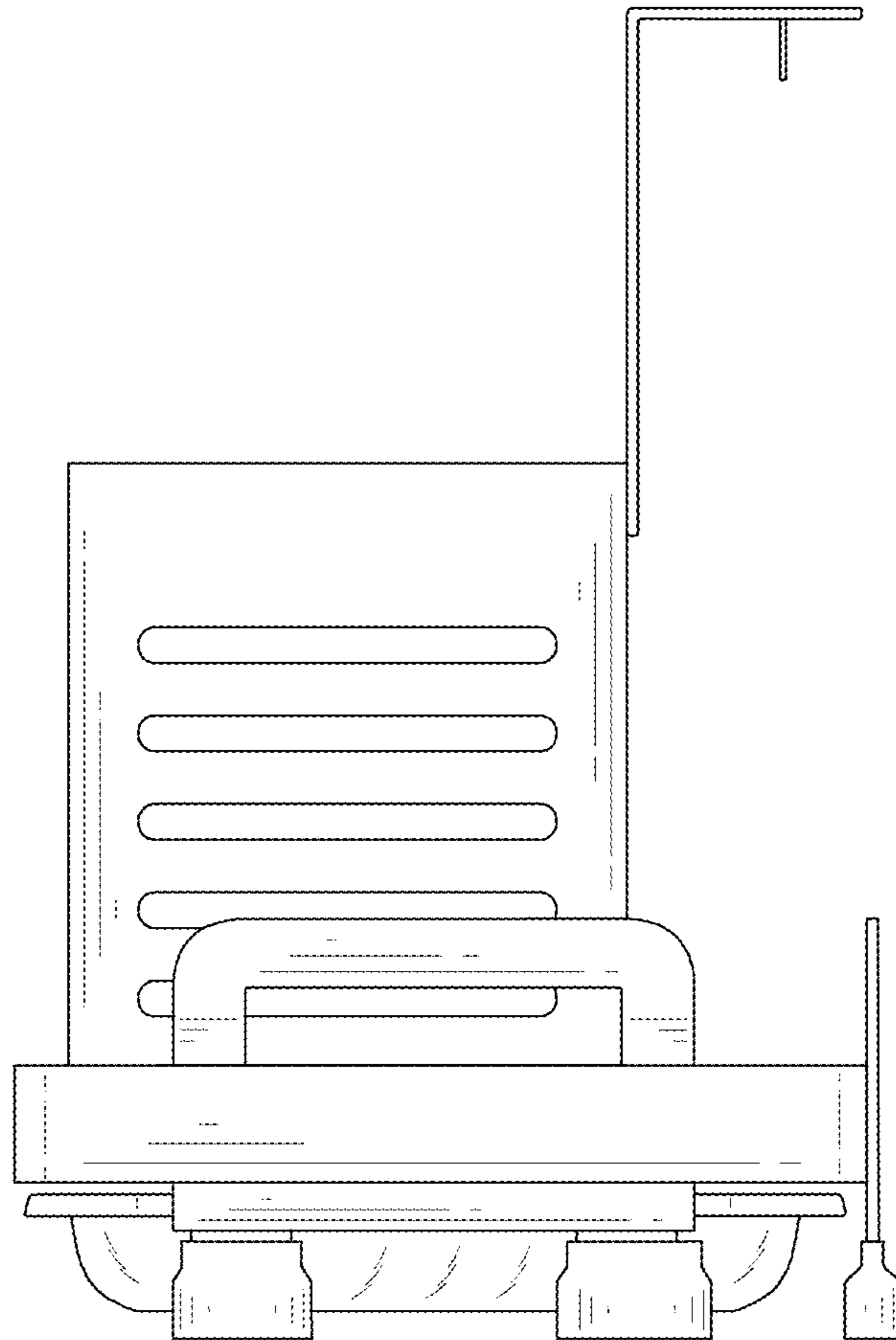


FIG. 6

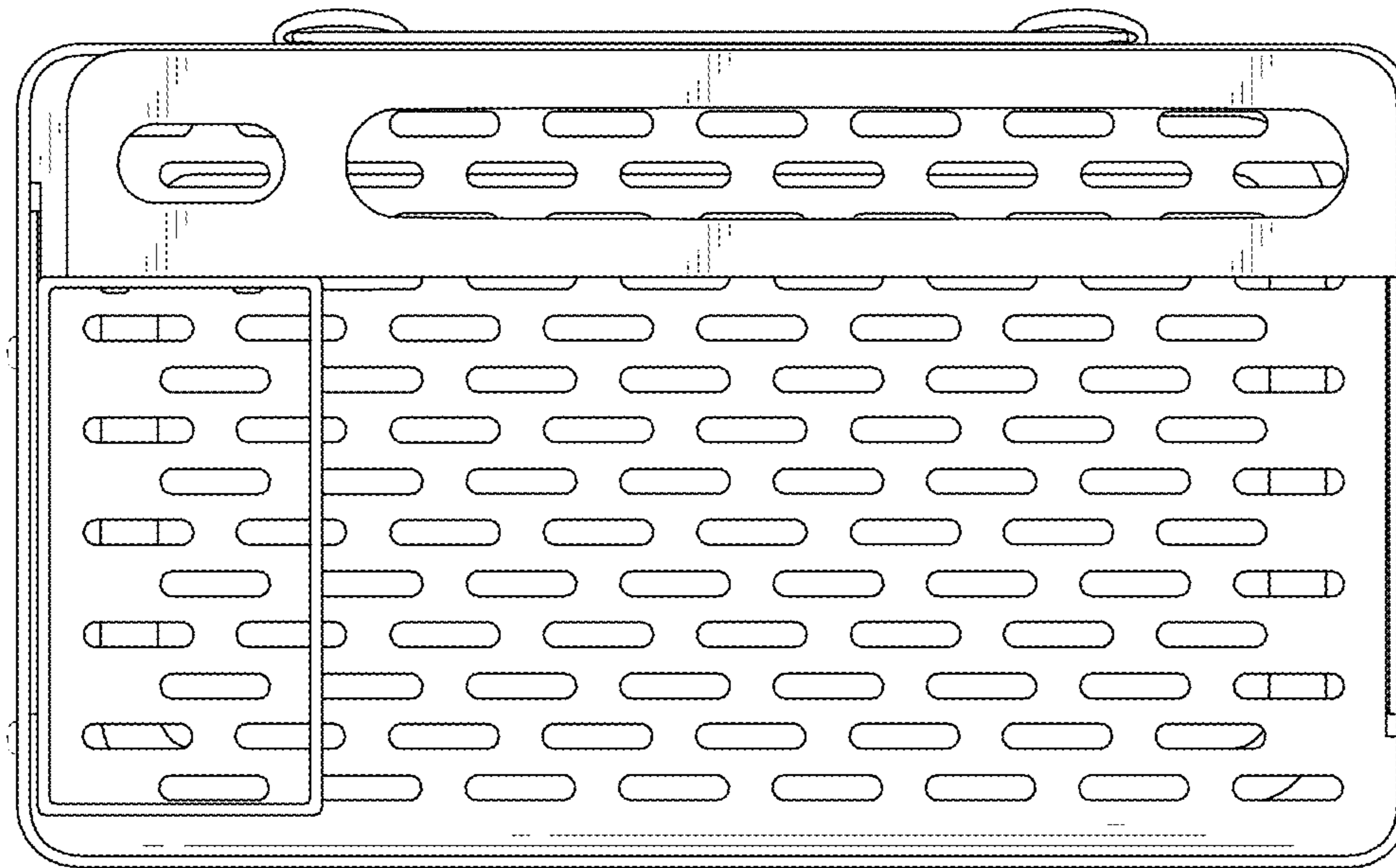


FIG. 7

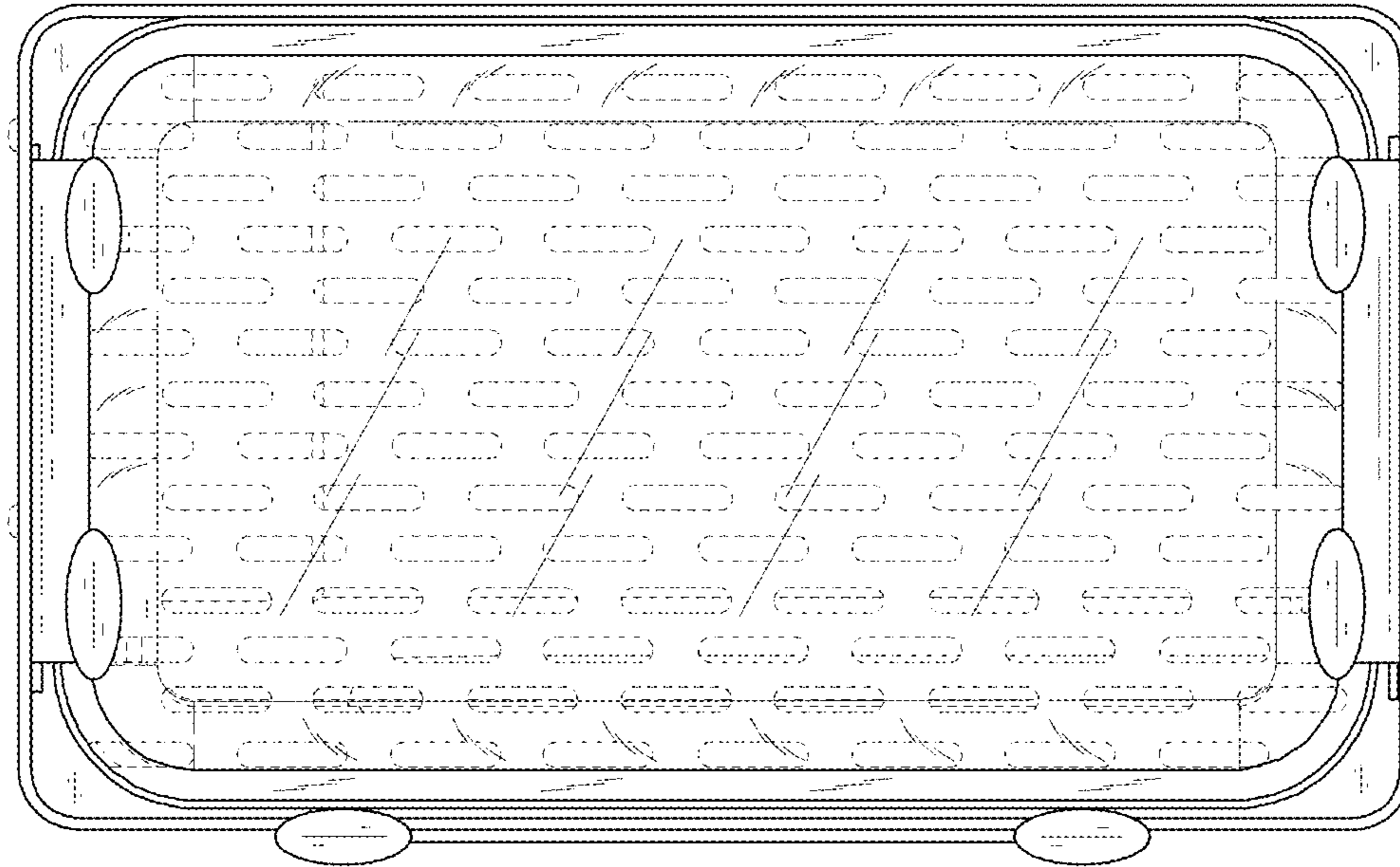


FIG. 8

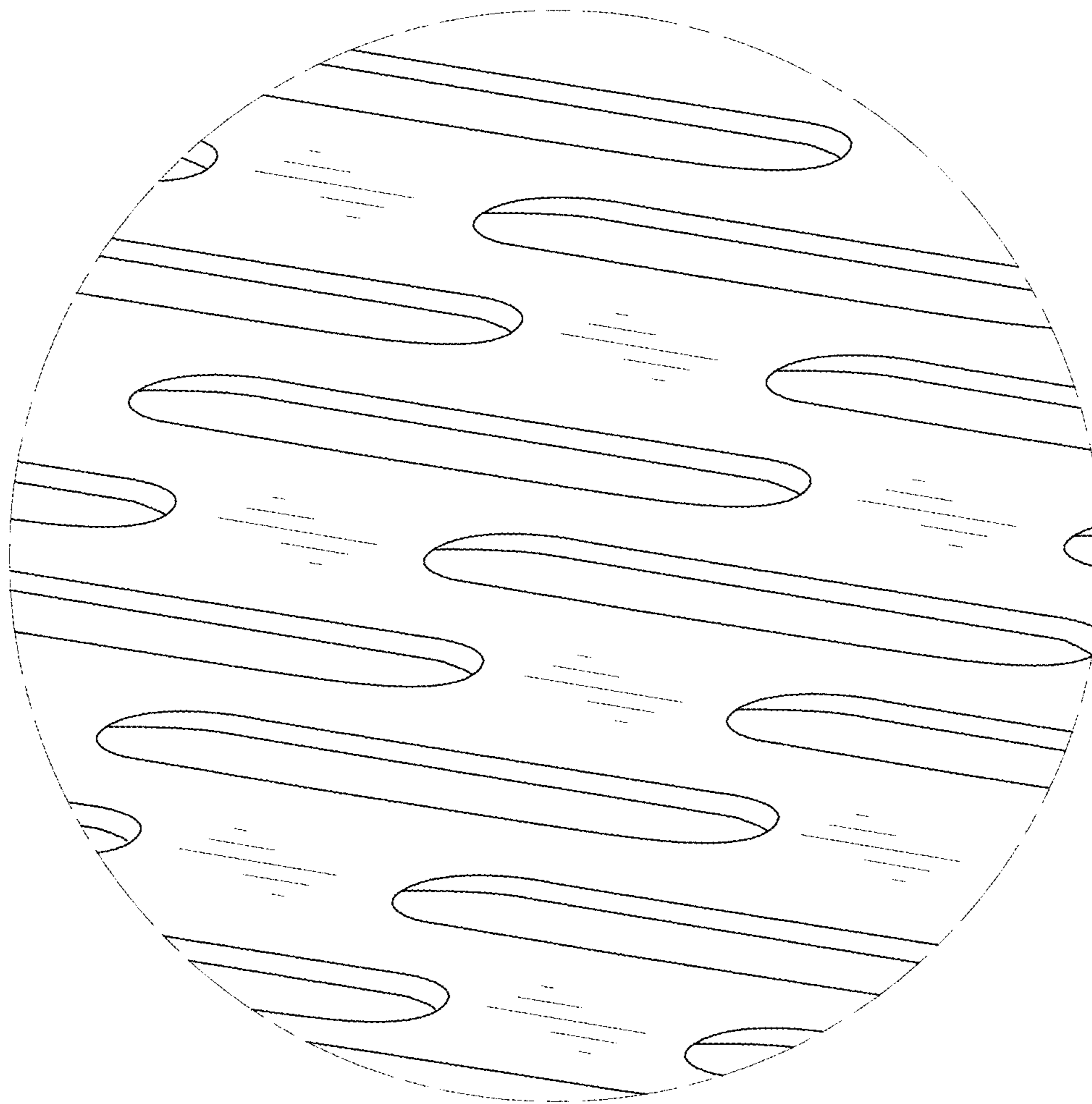


FIG. 9