



US00D964678S

(12) **United States Design Patent** (10) **Patent No.:** **US D964,678 S**  
**Kurlander** (45) **Date of Patent:** **\*\* Sep. 20, 2022**

(54) **SCRUBBER**  
(71) Applicant: **21 imports LLC**, Lakewood, NJ (US)  
(72) Inventor: **Dov Kurlander**, Lakewood, NJ (US)  
(73) Assignee: **21imports LLC**, Lakewood, NJ (US)  
(\*\*) Term: **15 Years**  
(21) Appl. No.: **29/766,002**  
(22) Filed: **Jan. 13, 2021**  
(51) **LOC (13) Cl.** ..... **07-05**  
(52) **U.S. Cl.**  
USPC ..... **D32/46**  
(58) **Field of Classification Search**  
USPC ..... D32/40-42, 46-49  
CPC .. A47L 1/16; A47L 13/46; A47L 13/06; A47J  
43/288  
See application file for complete search history.

8,434,187 B2 \* 5/2013 Weinberger ..... A47L 1/16  
15/236.08  
D793,017 S \* 7/2017 Woods ..... D32/42  
D845,570 S \* 4/2019 Xu ..... D32/40  
10,827,822 B2 \* 11/2020 Harrington ..... A46B 5/0054  
D938,681 S \* 12/2021 Anderson ..... D32/46

**OTHER PUBLICATIONS**

[https://www.amazon.com/Everclean-Handsaver-Scouring-Plastic-Handle/dp/B01H6JR1QI/ref=asc\\_df\\_B01H6JR1QI/?tag=hyprod-20&linkCode=dfO&hvadid=167151774232&hvpos=&hvnetw=g&hvrnd=5982912448713138390&hvpone=&hvptwo=&hvqmt=&hvdev=c&hvdvcmdl=&hvlocint=&hvlocphy=9059726&hvtargid=pla-312353503863&th=1](https://www.amazon.com/Everclean-Handsaver-Scouring-Plastic-Handle/dp/B01H6JR1QI/ref=asc_df_B01H6JR1QI/?tag=hyprod-20&linkCode=dfO&hvadid=167151774232&hvpos=&hvnetw=g&hvrnd=5982912448713138390&hvpone=&hvptwo=&hvqmt=&hvdev=c&hvdvcmdl=&hvlocint=&hvlocphy=9059726&hvtargid=pla-312353503863&th=1), reviews 2019.\*

\* cited by examiner

*Primary Examiner* — John R Yeh  
(74) *Attorney, Agent, or Firm* — William G. Heedy; The Van Winkle Law Firm

(57) **CLAIM**

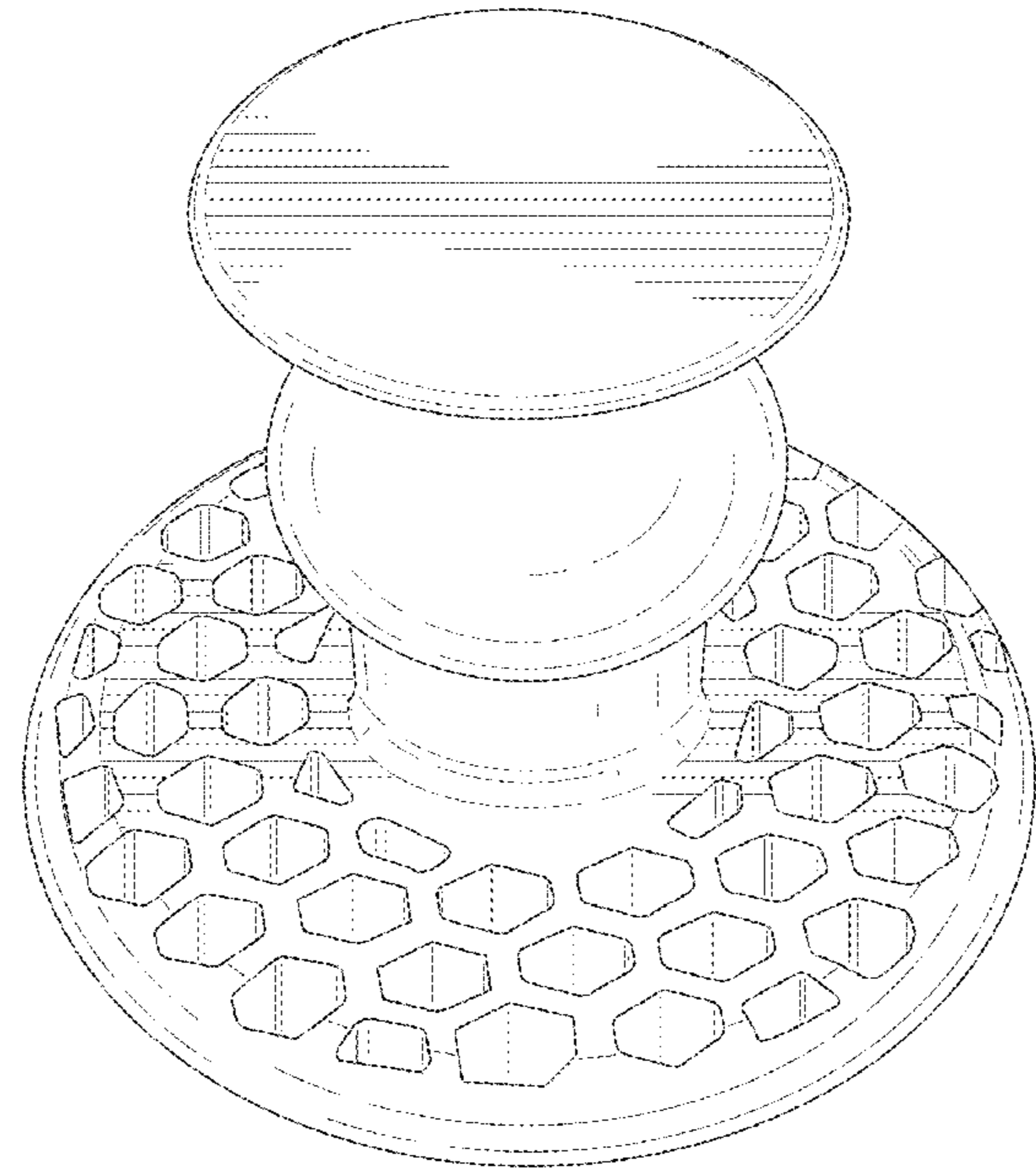
The ornamental design for a scrubber, as shown and described.

**DESCRIPTION**

FIG. 1 is a perspective view of a scrubber showing my new design;  
FIG. 2 is a perspective view showing the scrubber in an environment of use;  
FIG. 3 is a front elevation view of FIG. 1, the rear view being identical;  
FIG. 4 is a right side elevation view thereof, the left side elevation view being identical;  
FIG. 5 is a top plan view thereof; and,  
FIG. 6 is a bottom plan view thereof.  
In FIG. 2, the broken lines showing a chain mail environment form no part of the claimed design.

**1 Claim, 4 Drawing Sheets**

(56) **References Cited**  
**U.S. PATENT DOCUMENTS**  
D365,180 S \* 12/1995 Brookfield ..... D32/48  
5,813,084 A \* 9/1998 Hadaway ..... A63B 57/60  
30/169  
6,233,771 B1 \* 5/2001 Hortel ..... A47L 25/08  
15/210.1  
D487,685 S \* 3/2004 Zeilinger ..... D32/46  
D499,852 S \* 12/2004 Trunecek ..... D32/46  
6,925,675 B1 \* 8/2005 Trunecek ..... A47L 1/16  
15/236.01  
D522,202 S \* 5/2006 Huang ..... D32/52  
D538,987 S \* 3/2007 Angeletta ..... D32/40  
D554,315 S \* 10/2007 Schouten ..... D32/52  
D568,566 S \* 5/2008 Gabbour ..... D32/40  
D578,262 S \* 10/2008 Trotter ..... D32/52  
D583,156 S \* 12/2008 Constantine ..... D4/137  
D607,297 S \* 1/2010 Ali ..... D8/90



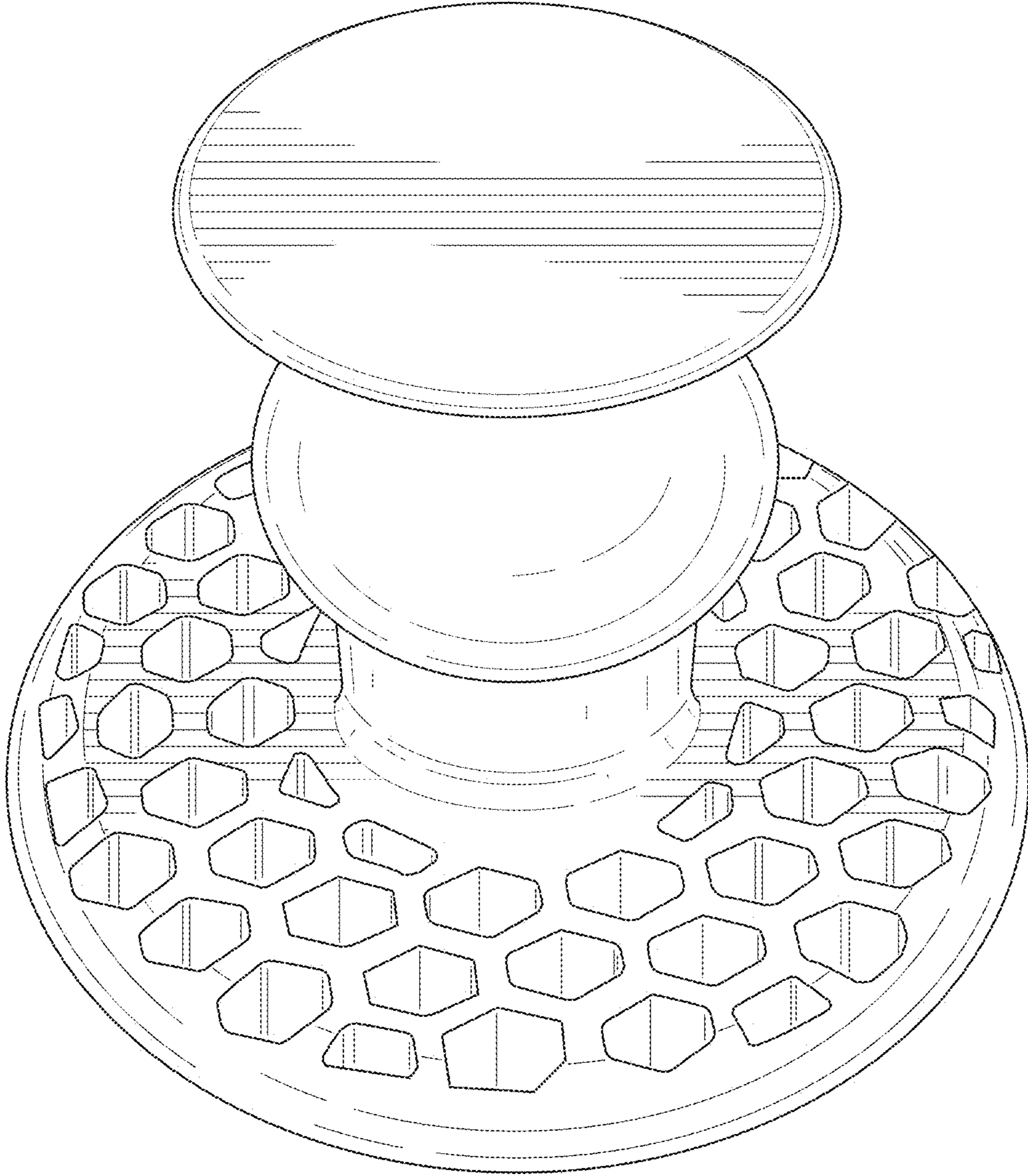


FIG. 1

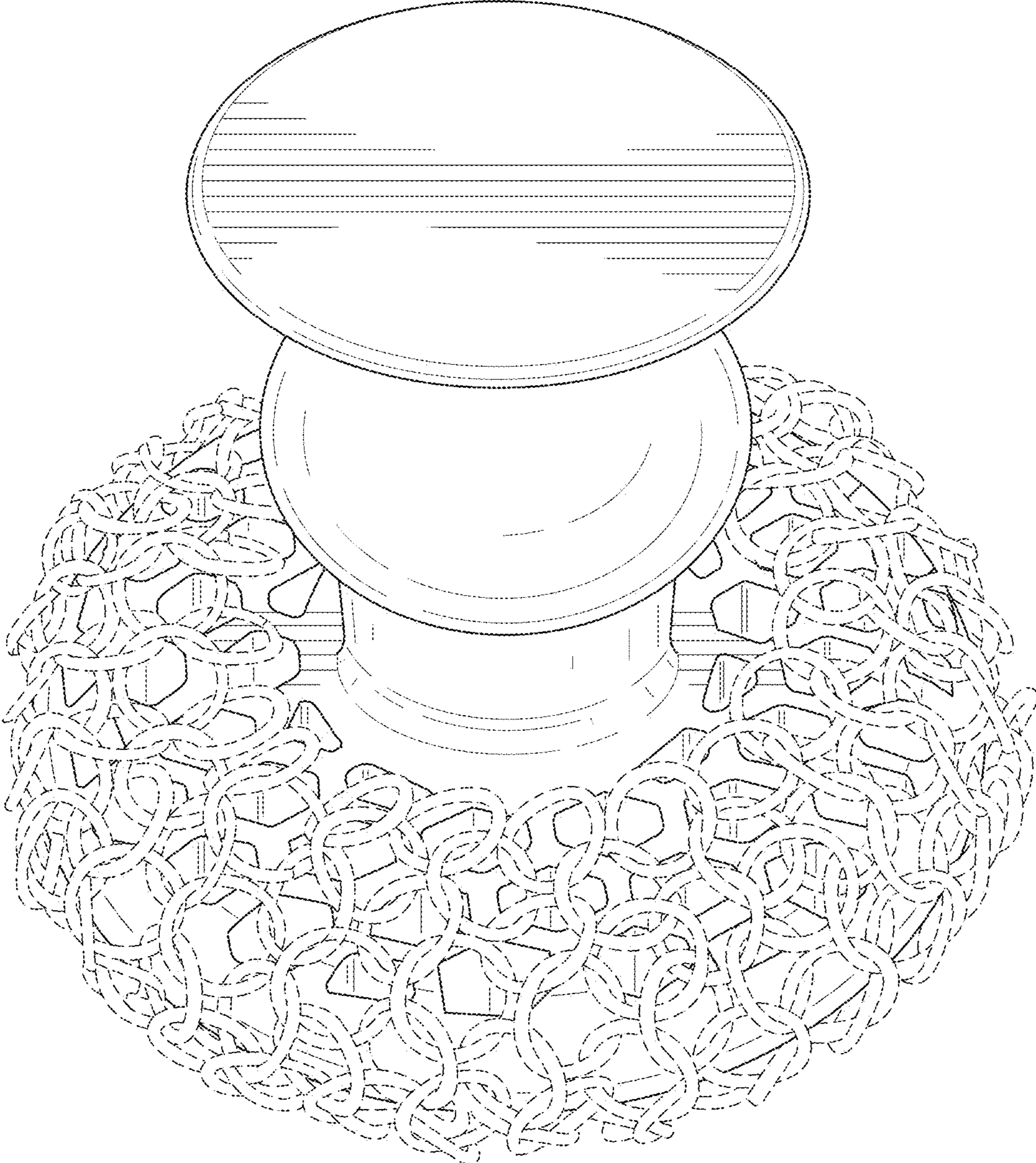


FIG. 2

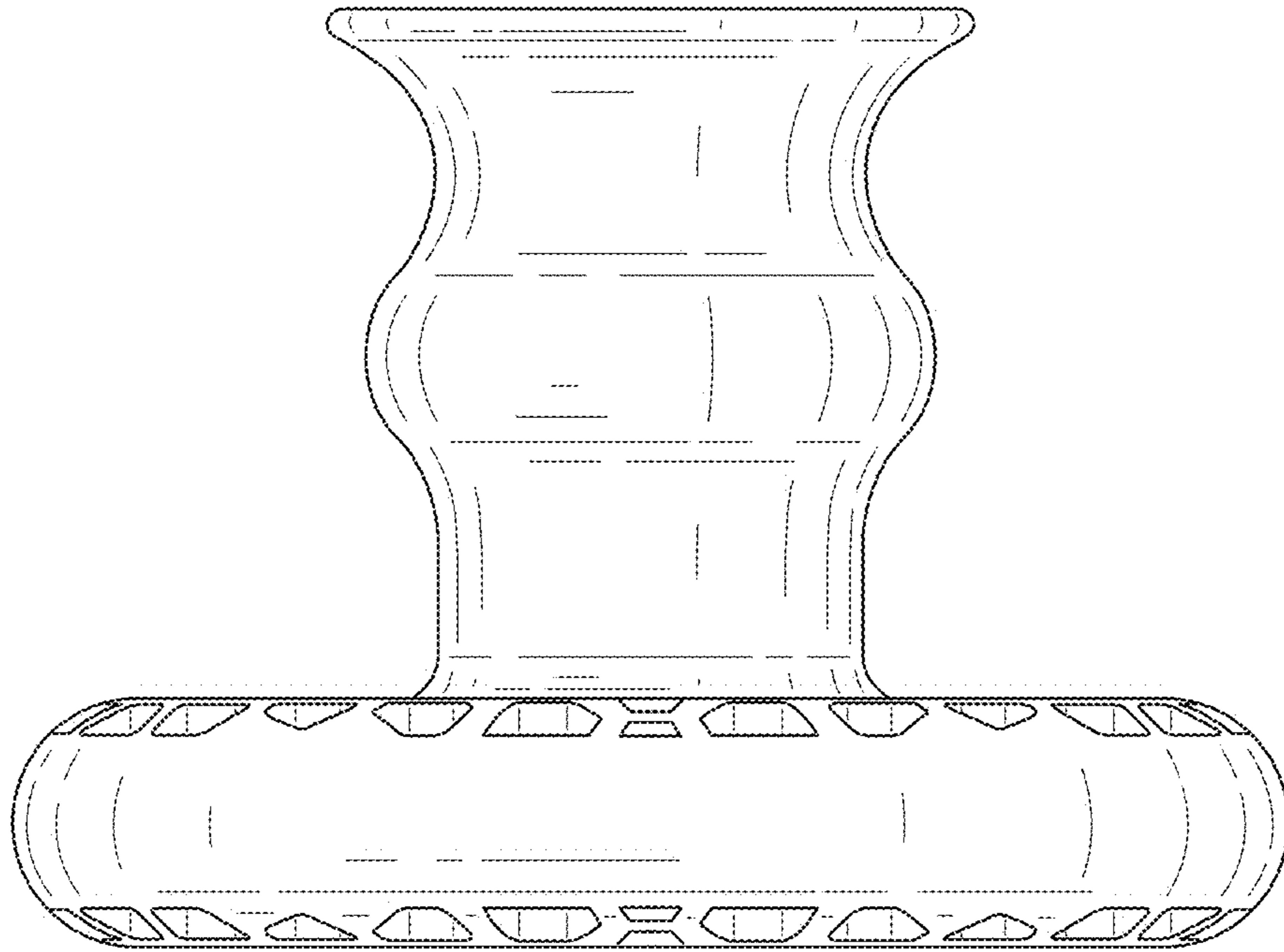


FIG. 3

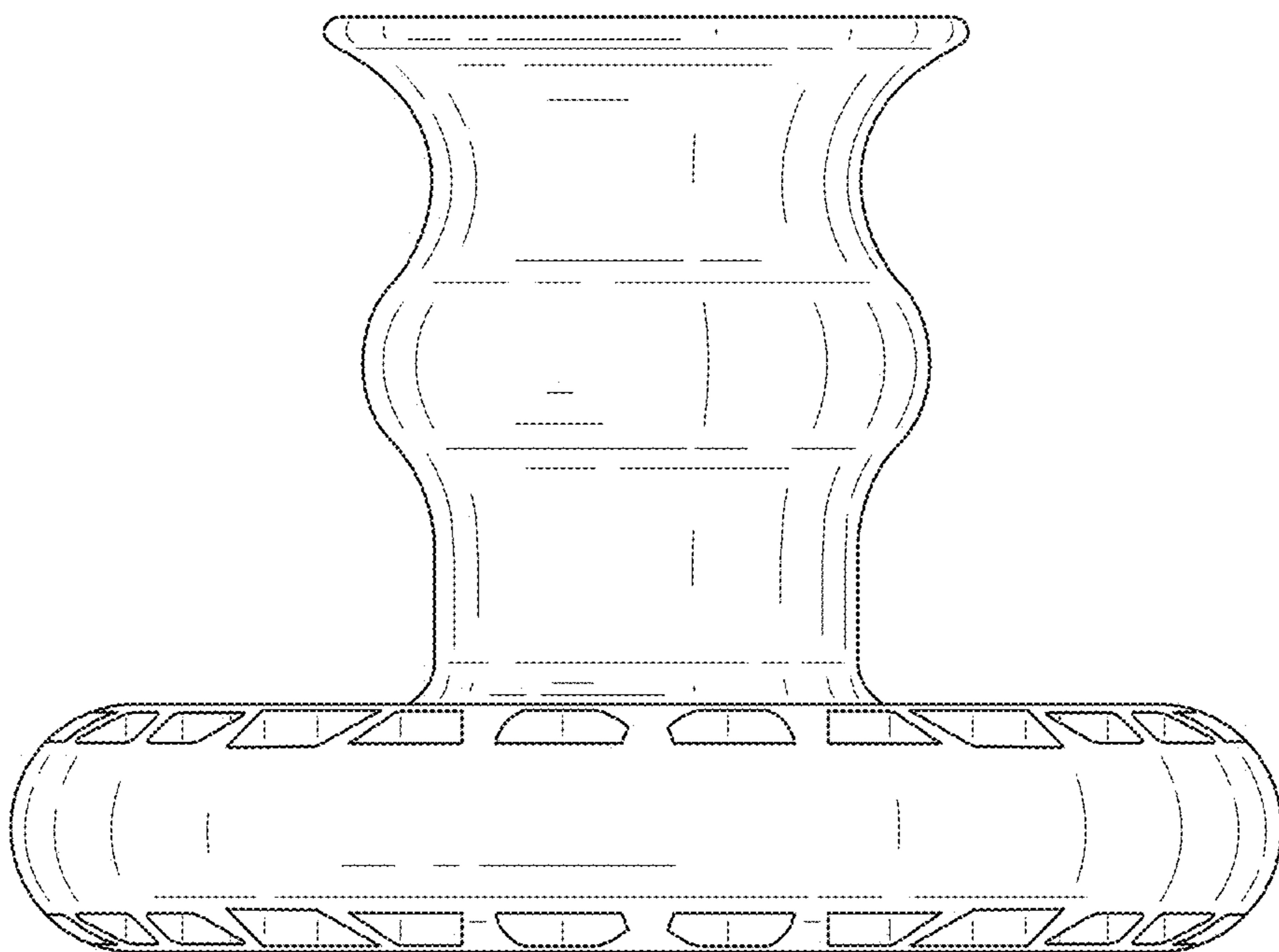


FIG. 4

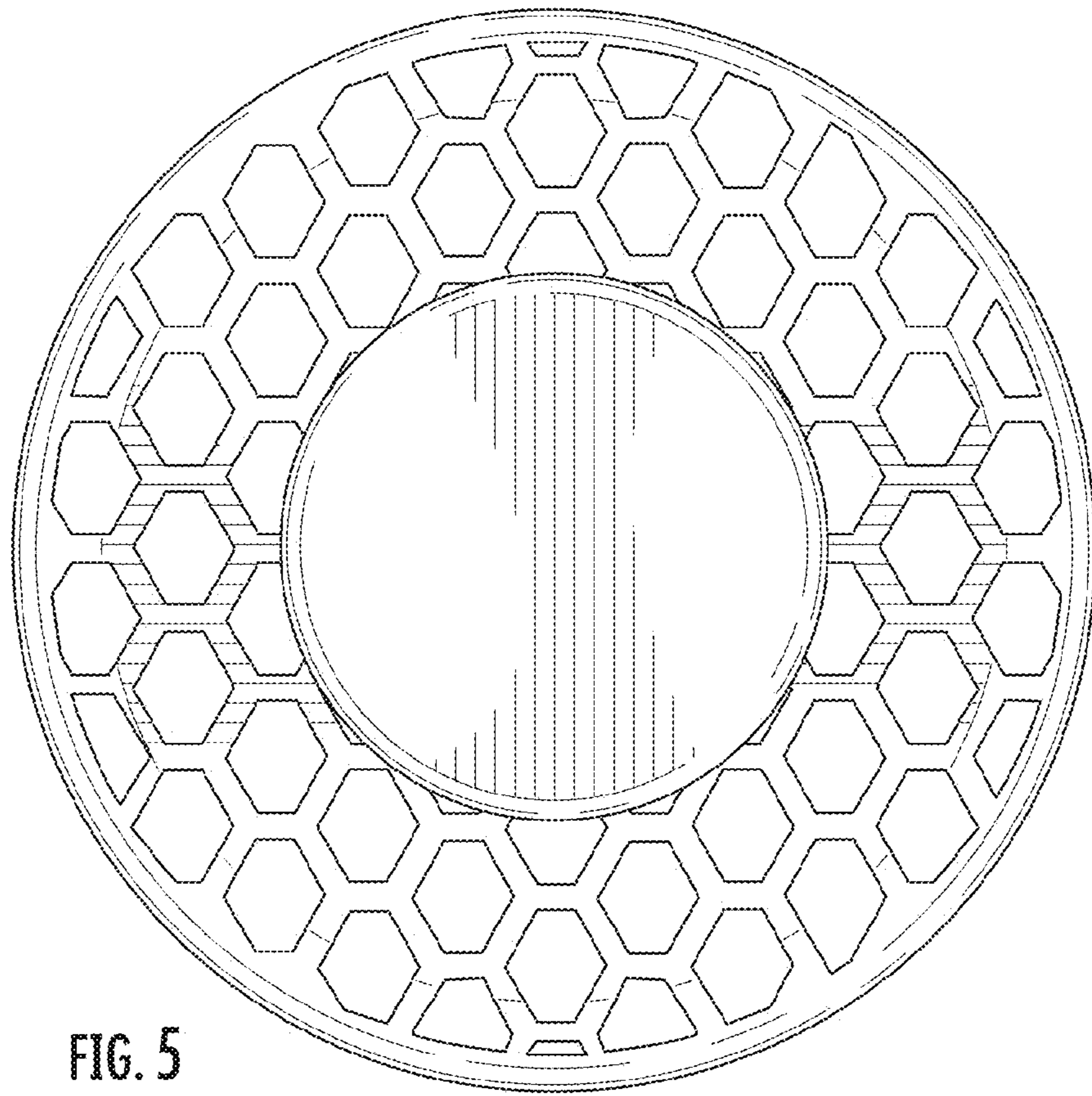


FIG. 5

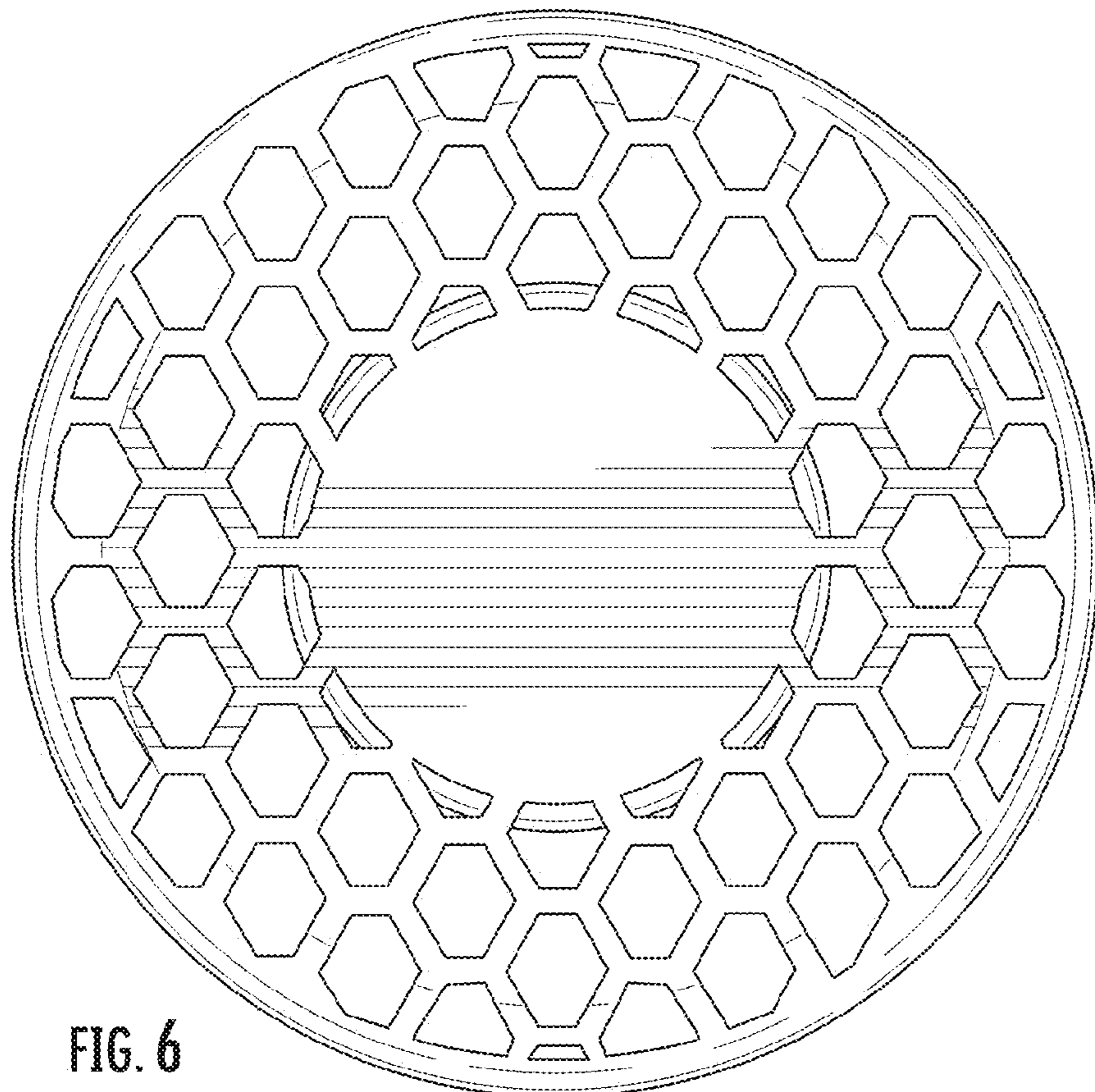


FIG. 6