



US00D964677S

(12) **United States Design Patent**
Folley

(10) **Patent No.:** **US D964,677 S**

(45) **Date of Patent:** **** Sep. 20, 2022**

(54) **SOAP-DISPENSING SPONGE HANDLE**

(71) Applicant: **Scott David Folley**, Rockville, MD
(US)

(72) Inventor: **Scott David Folley**, Rockville, MD
(US)

(**) Term: **15 Years**

(21) Appl. No.: **29/773,264**

(22) Filed: **Mar. 8, 2021**

(51) **LOC (13) Cl.** **07-05**

(52) **U.S. Cl.**
USPC **D32/35**

(58) **Field of Classification Search**
USPC ... D32/15–16, 18–19, 20–21, 31–32, 40–43,
D32/45–46, 50–52; D4/102, 135
CPC A47L 11/16; A47L 11/10; A47L 11/4038;
A47L 11/4072

See application file for complete search history.

(56) **References Cited**

U.S. PATENT DOCUMENTS

D315,236 S *	3/1991	Kraselsky	D32/42
D411,368 S *	6/1999	Liu	D4/118
D446,898 S *	8/2001	Brewer	D32/45
D549,411 S *	8/2007	McNeeley	D32/45
7,311,458 B2 *	12/2007	Verlin	A47L 13/51
				401/38
D571,515 S *	6/2008	Krause	D32/40
D690,481 S *	9/2013	Roehm	D32/45
D690,892 S *	10/2013	Krause	D32/40
8,677,549 B2 *	3/2014	Fields	B60S 3/045
				206/207
D719,357 S *	12/2014	Li	D4/118

D752,873 S *	4/2016	Deluca	D4/126
D765,989 S *	9/2016	Garcia Mahiques	D4/125
D776,890 S *	1/2017	Reaux	D32/40
D777,392 S *	1/2017	Reaux	D32/40
D822,298 S *	7/2018	Krause	D32/43
D841,270 S *	2/2019	Reaux	D32/40
D934,522 S *	10/2021	Reaux	D32/49
2001/0046571 A1 *	11/2001	Eisner	B44C 5/00
				15/159.1

* cited by examiner

Primary Examiner — John R Yeh

(74) *Attorney, Agent, or Firm* — QuickPatents, LLC;
Kevin Prince

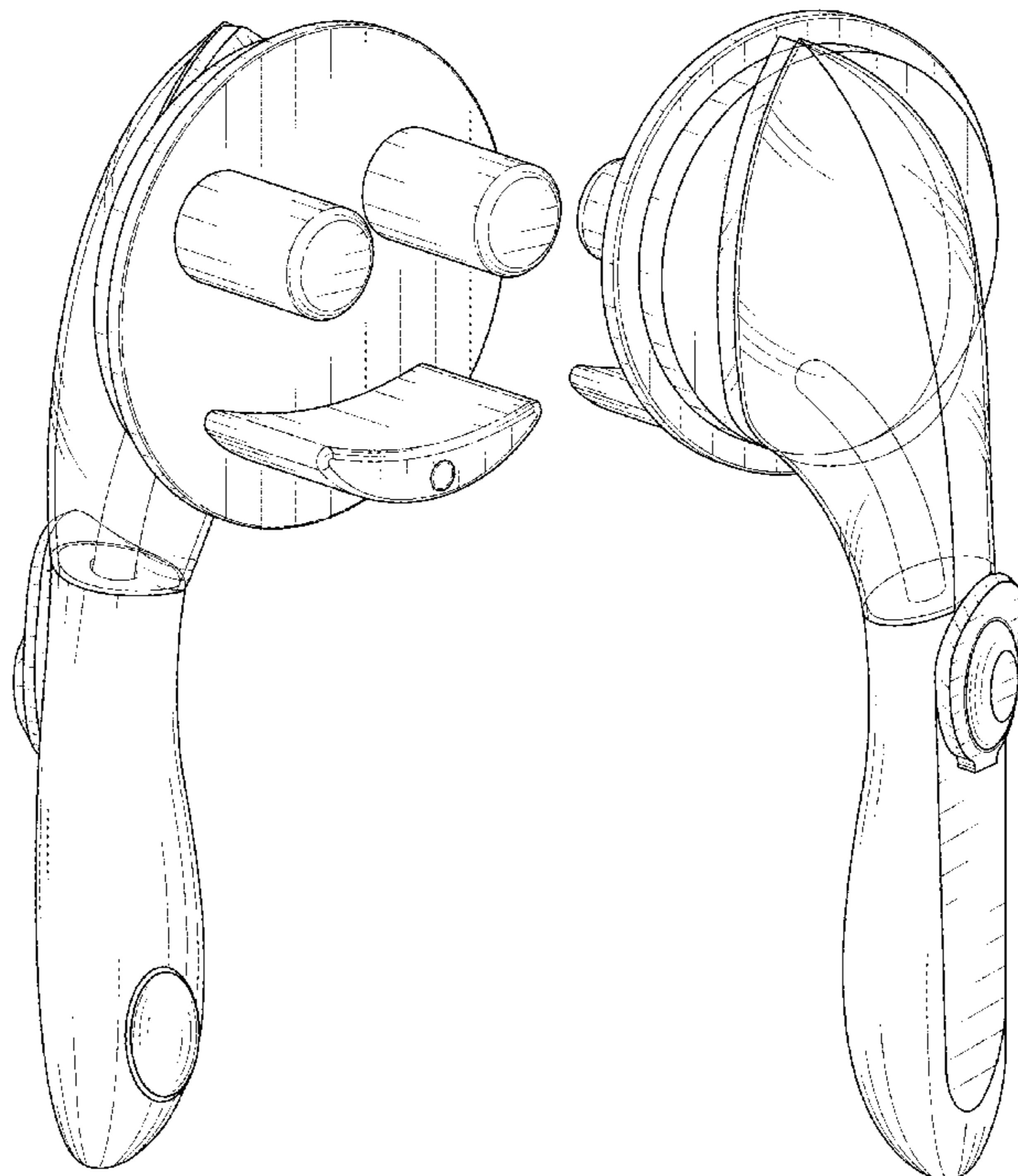
(57) **CLAIM**

The ornamental design for a soap-dispensing sponge handle, as shown and described.

DESCRIPTION

FIG. 1 is a front perspective view of a soap-dispensing sponge handle, showing my new design; FIG. 2 is a rear perspective view thereof; FIG. 3 is a front elevational view thereof; FIG. 4 is a rear elevational view thereof; FIG. 5 is a left-side elevational view thereof; FIG. 6 is a right-side elevational view thereof; FIG. 7 is a top plan view thereof; and, FIG. 8 is a bottom plan view thereof. The broken lines in FIGS. 1 and 3 depict portions of the soap-dispensing sponge handle that form no part of the claimed design.

1 Claim, 7 Drawing Sheets



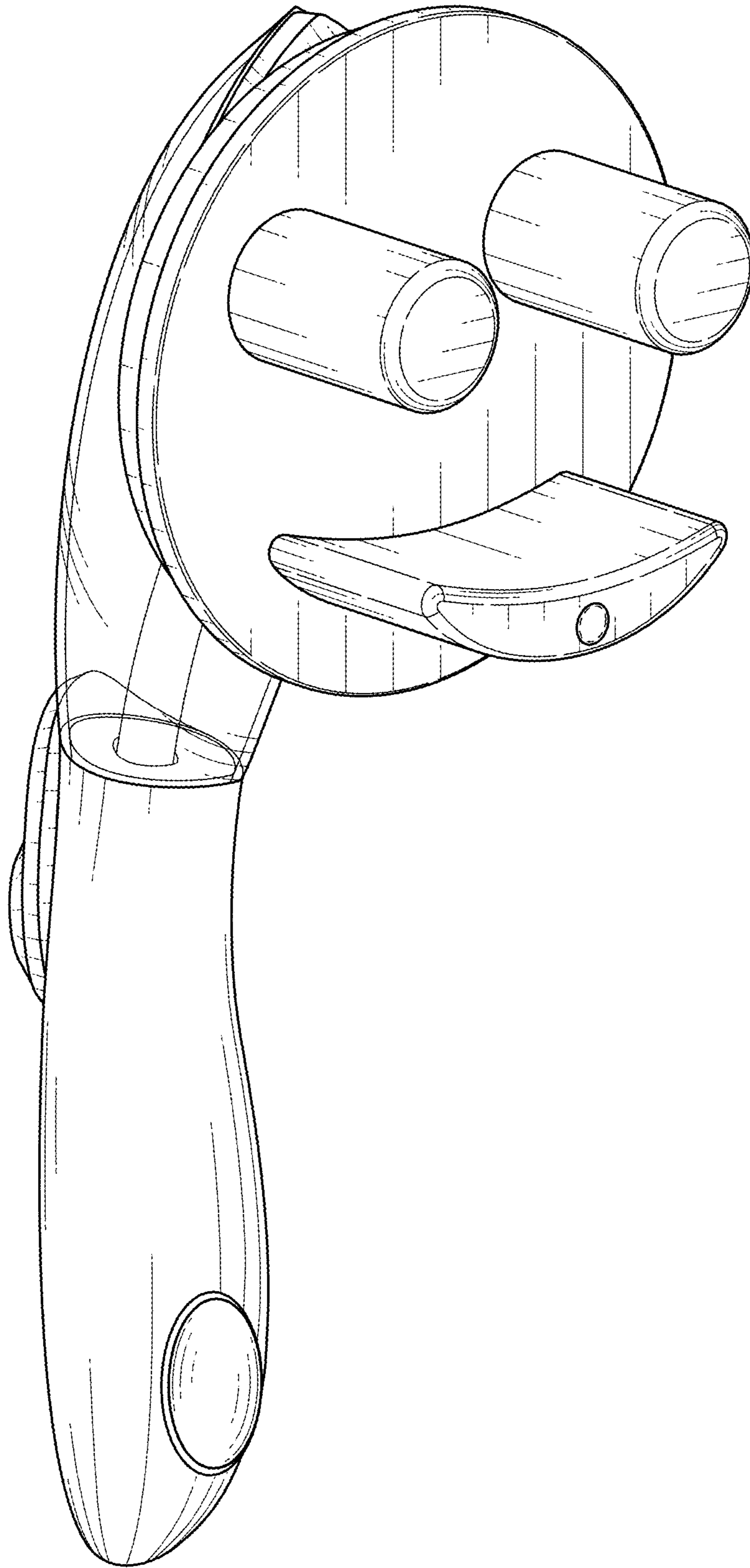


FIG. 1

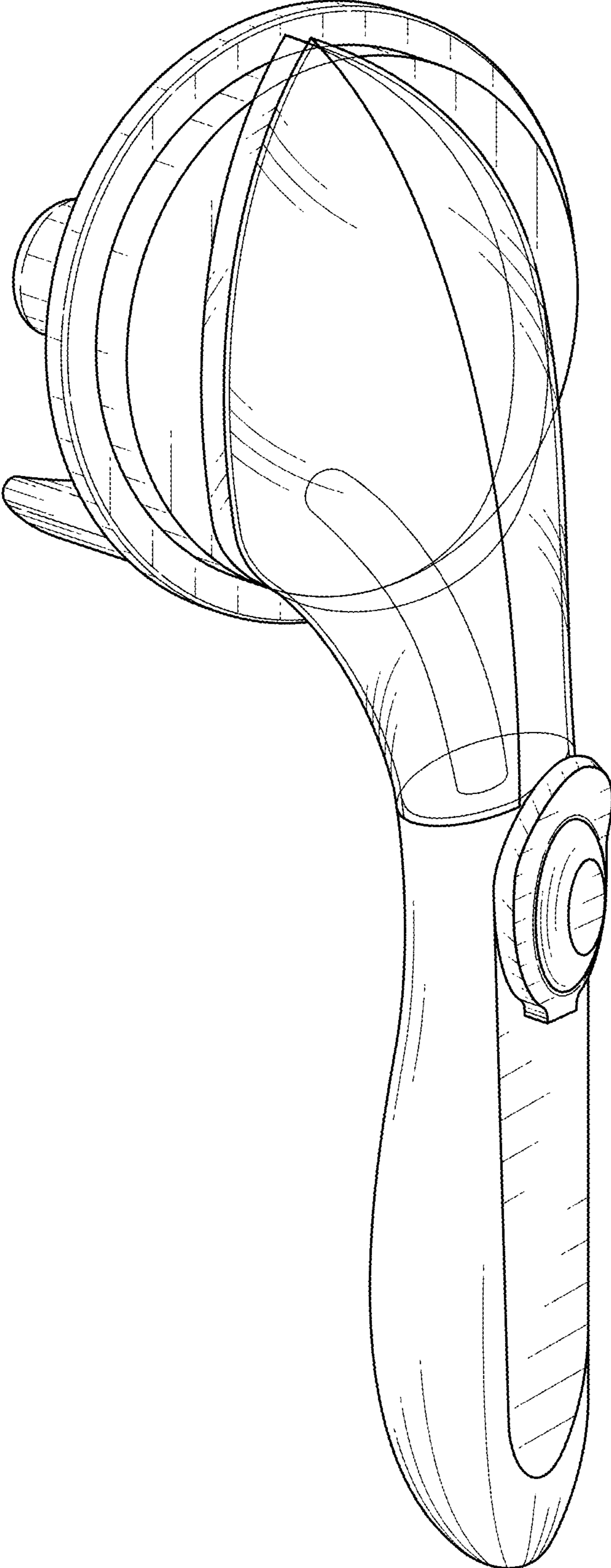


FIG. 2

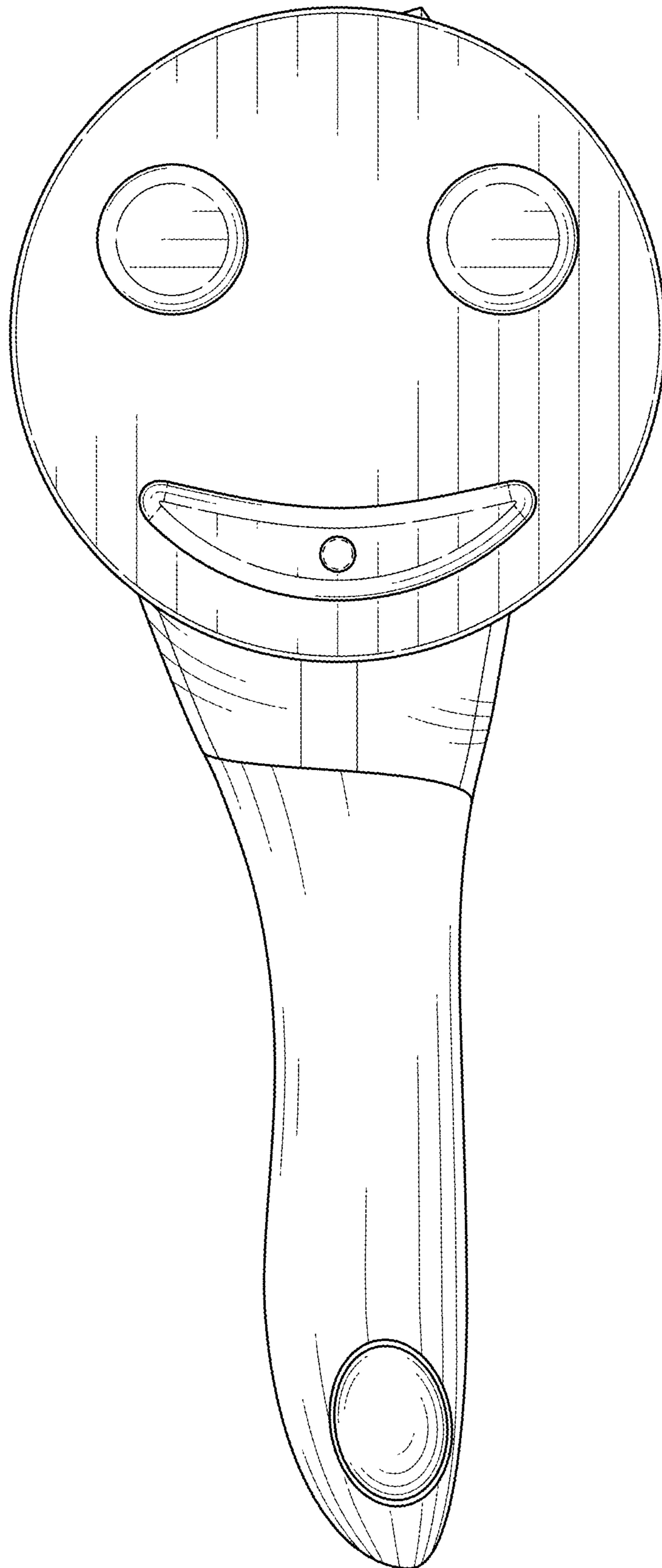


FIG. 3

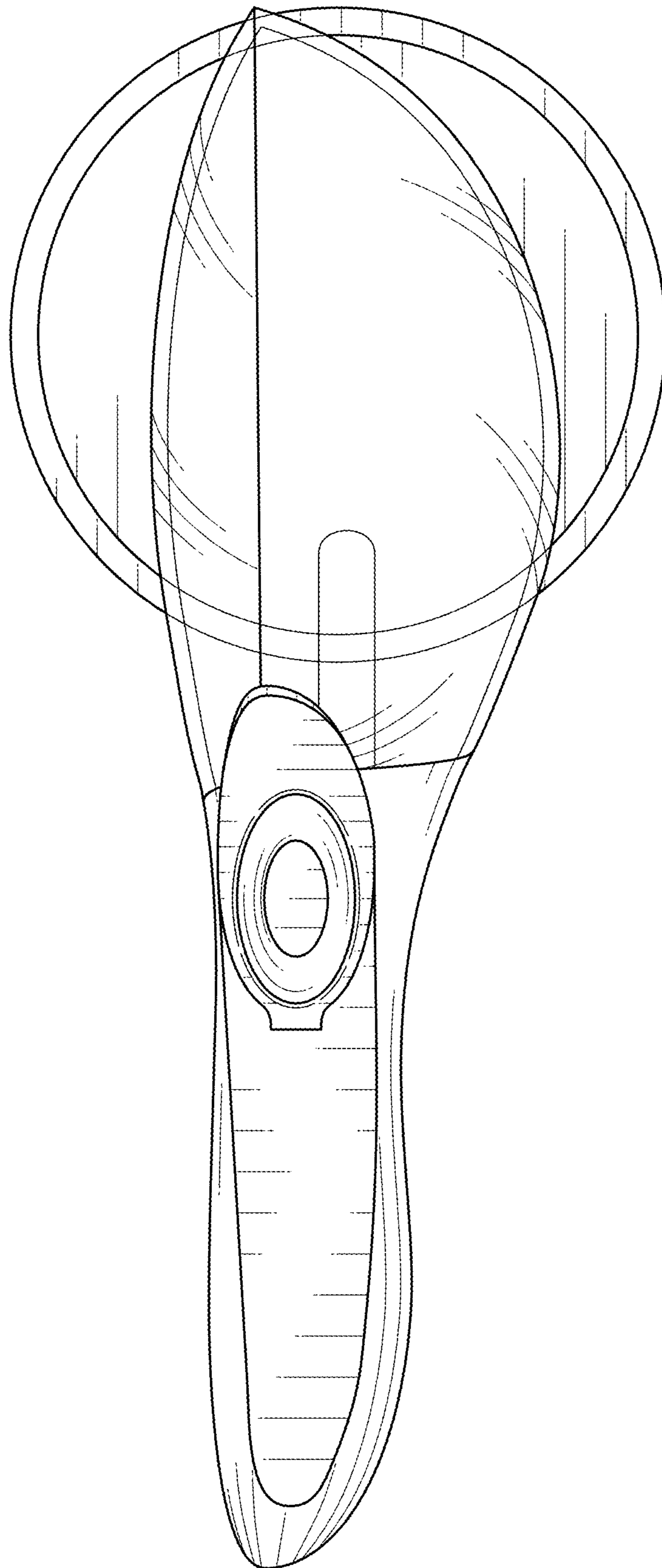


FIG. 4

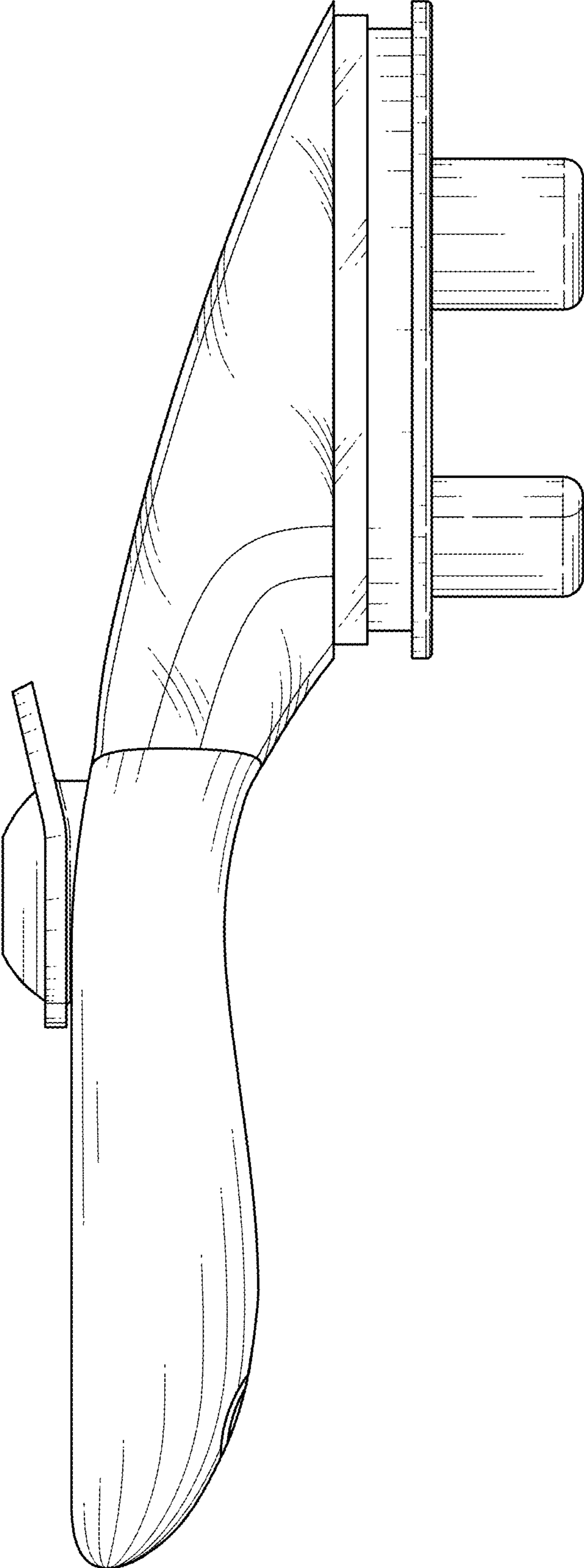


FIG. 5

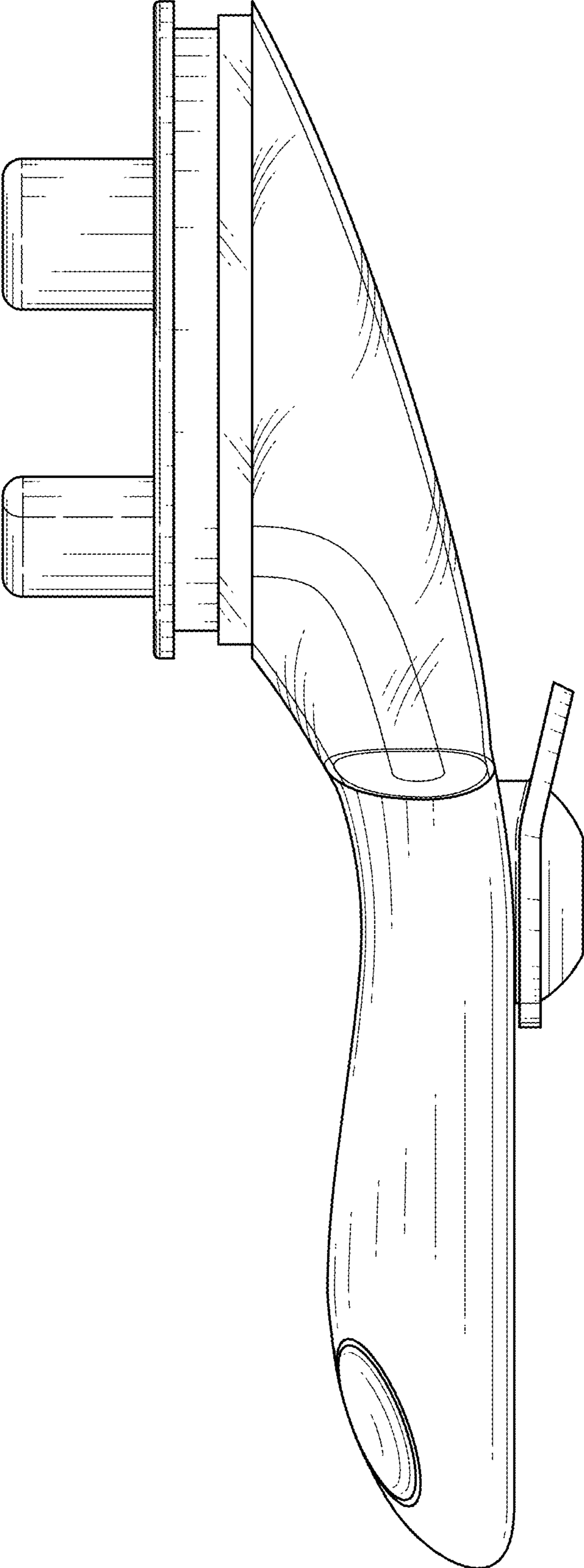


FIG. 6

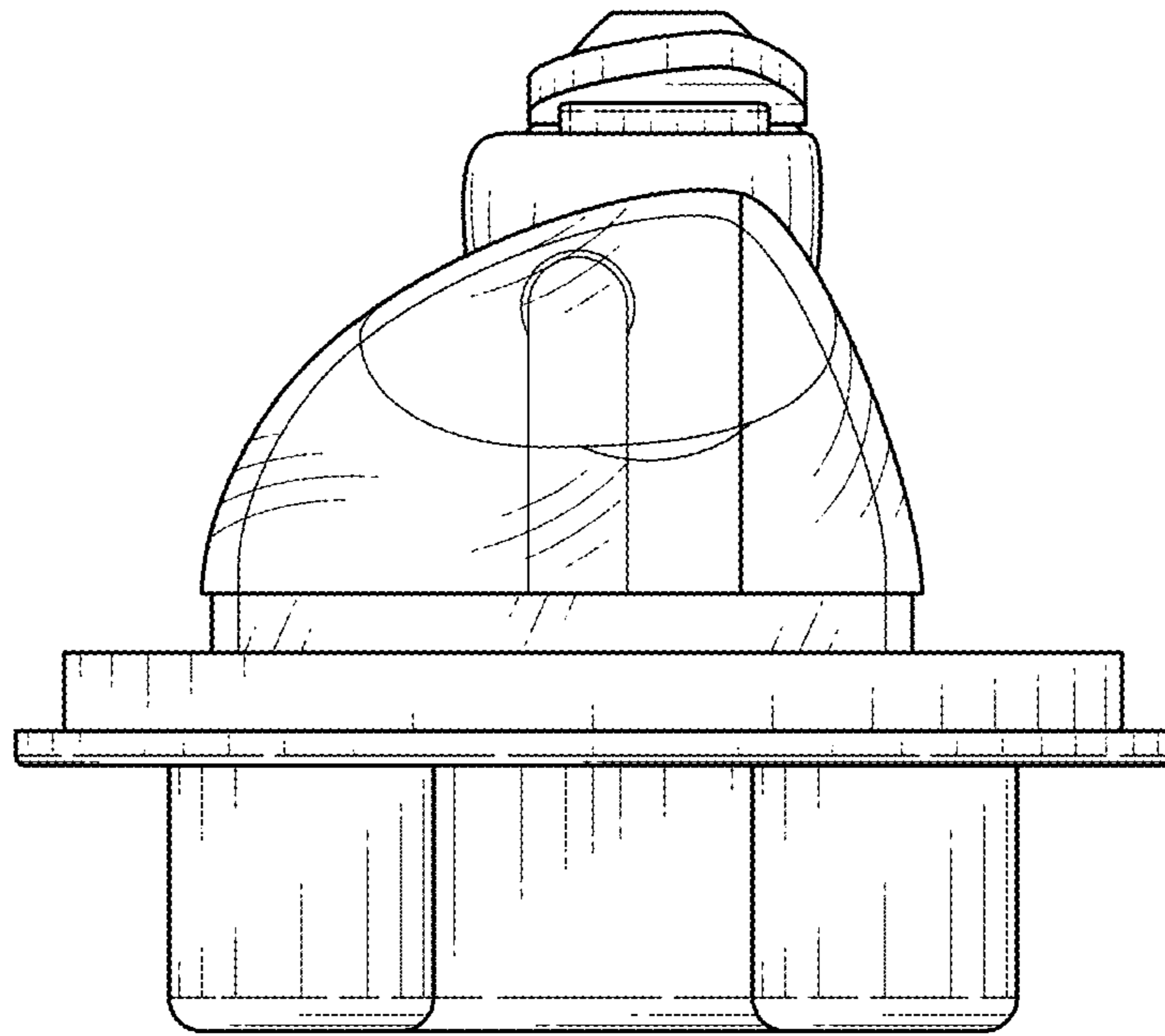


FIG. 7

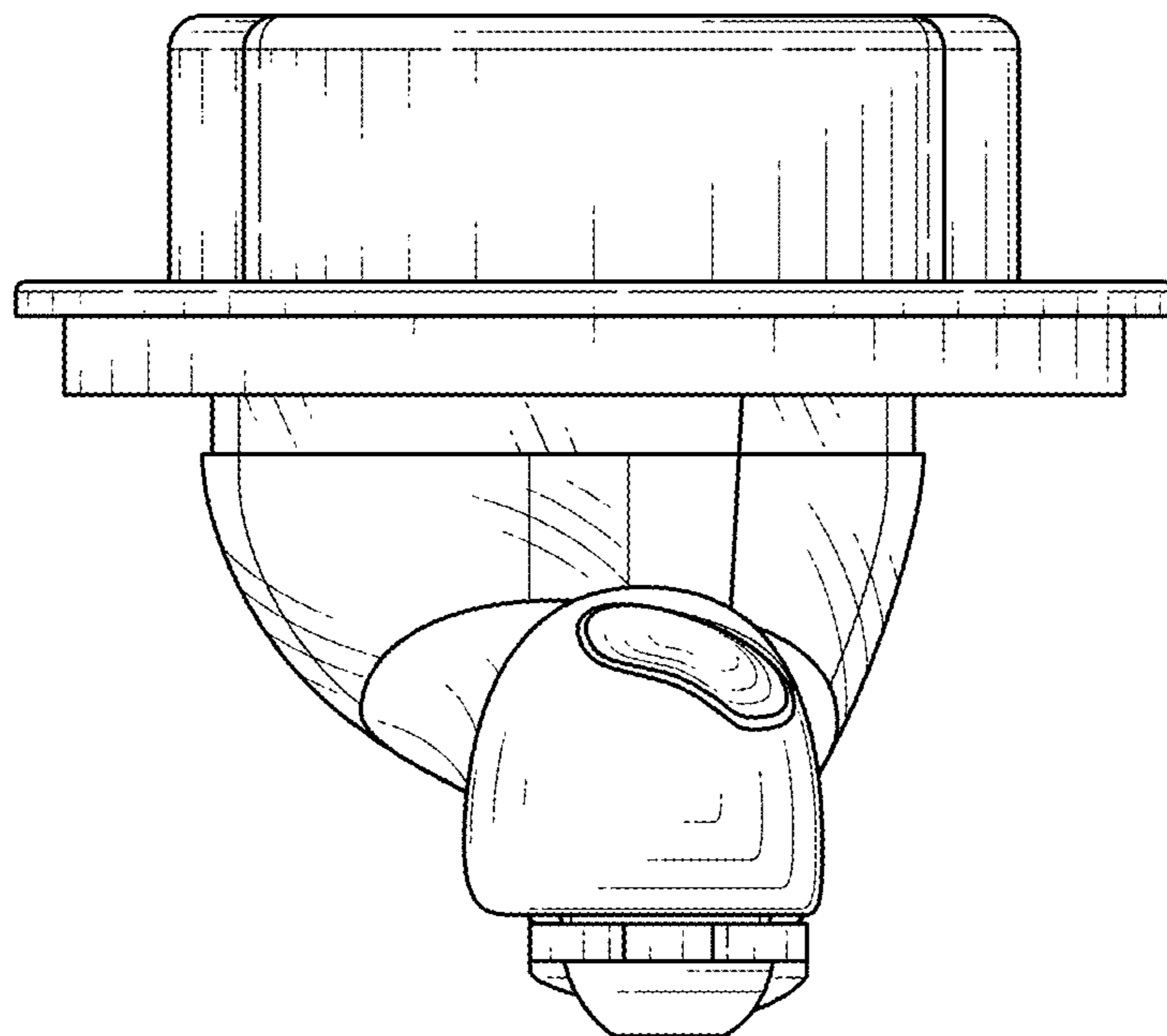


FIG. 8