



US00D964676S

(12) **United States Design Patent**  
**Lin**

(10) **Patent No.:** **US D964,676 S**  
(45) **Date of Patent:** **\*\* Sep. 20, 2022**

(54) **FOAM LANCE FOR PRESSURE WASHER**

(71) Applicant: **Hangzhou Yirui Technology Co., Ltd.**,  
Zhejiang (CN)

(72) Inventor: **Yuankou Lin**, Zhejiang (CN)

(73) Assignee: **Hangzhou Yirui Technology Co., Ltd.**,  
Zhejiang (CN)

(\*\*) Term: **15 Years**

(21) Appl. No.: **29/812,830**

(22) Filed: **Oct. 25, 2021**

(51) **LOC (13) Cl.** ..... **15-05**

(52) **U.S. Cl.**  
USPC ..... **D32/25; D23/225**

(58) **Field of Classification Search**

USPC ..... D32/1, 4, 15, 16, 25, 23, 31; D8/61, 62,  
D8/66, 107, 303; D9/448, 516, 542, 560,  
D9/574, 685, 719; D23/205, 213, 223,  
D23/224, 225, 226, 230, 252; D27/148  
CPC ..... A46B 5/021; A46B 5/026; A47L 7/0014;  
A47L 11/4075; A47L 11/4083; A47L  
13/03; A47L 13/17; A47L 13/19; B08B  
3/00; B08B 3/003; B08B 3/02; B08B  
3/024; B08B 3/026; B25G 1/00; B25G  
1/10; B25G 3/00; B25G 3/04; Y10S  
16/12; Y10S 16/19; Y10S 16/40; Y10S  
16/41; Y10S 16/90; Y10T 16/44; Y10T  
16/4559; Y10T 16/466; Y10T 16/4713;  
Y10T 74/20732; Y10T 74/20822; Y10T  
74/20864

See application file for complete search history.

(56) **References Cited**

**U.S. PATENT DOCUMENTS**

2,119,906 A \* 6/1938 Dorman ..... A47J 43/121  
261/DIG. 26  
D231,829 S \* 6/1974 Frasier ..... D23/230  
D251,793 S \* 5/1979 DeGelder ..... D23/225

D297,350 S \* 8/1988 Kille ..... D23/225  
D314,227 S \* 1/1991 Christ ..... D23/234  
D314,649 S \* 2/1991 Campbell, Sr. .... D23/223  
(Continued)

**FOREIGN PATENT DOCUMENTS**

CN 304742727 \* 7/2018  
CN 306326635 \* 2/2021  
GB 6100745 \* 9/2020

**OTHER PUBLICATIONS**

M MINGLE High Pressure Washer Gun Snow Foam Lance, avail-  
able in Amazon.com, customer review oldest date Apr. 16, 2022  
[online], [site visited Jul. 15, 2022], Available from the internet  
URL: [https://www.amazon.com/MINGLE-Pressure-Washer-Blaster-Connector/dp/B09Q642DNS/ref=cm\\_cr\\_ar\\_p\\_d\\_product\\_top?ie=UTF8](https://www.amazon.com/MINGLE-Pressure-Washer-Blaster-Connector/dp/B09Q642DNS/ref=cm_cr_ar_p_d_product_top?ie=UTF8) (Year: 2022).\*

(Continued)

*Primary Examiner* — Amy C Wierenga  
*Assistant Examiner* — Jennylou M Binas  
(74) *Attorney, Agent, or Firm* — ScienBiziP, P.C.

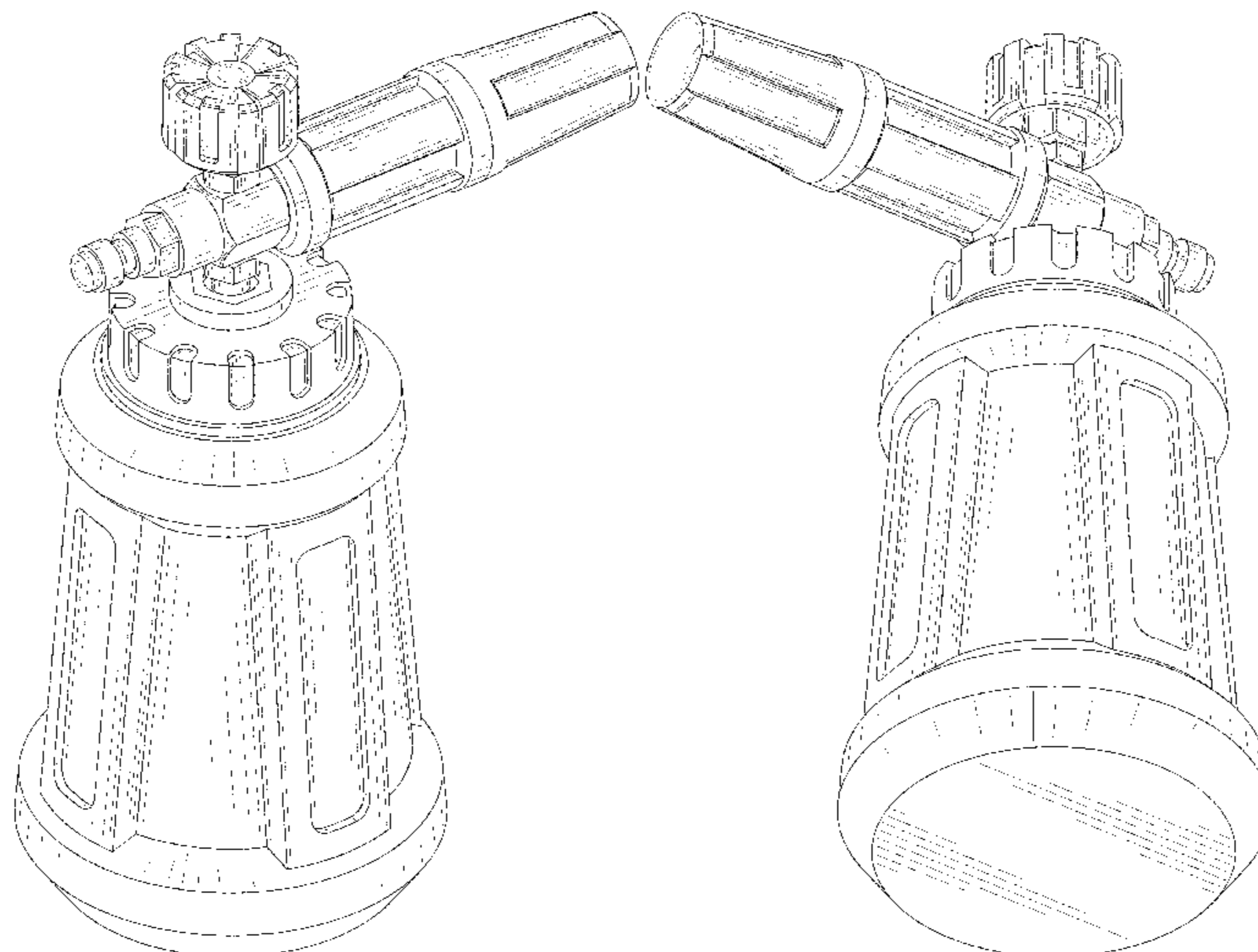
(57) **CLAIM**

The ornamental design for a foam lance for pressure washer,  
as shown and described.

**DESCRIPTION**

FIG. 1 is a front, left and top perspective view of a foam lance for pressure washer, showing my design.  
FIG. 2 is a rear, right and bottom perspective view thereof.  
FIG. 3 is a front elevation view thereof.  
FIG. 4 is a rear elevation view thereof.  
FIG. 5 is a left side elevation view thereof.  
FIG. 6 is a right side elevation view thereof.  
FIG. 7 is a top plan view thereof; and,  
FIG. 8 is a bottom plan view thereof.  
The broken lines shown in the drawings are included for the purpose of illustrating portions of the foam lance for pressure washer that form no part of the claimed design.

**1 Claim, 8 Drawing Sheets**



(56)

References Cited

U.S. PATENT DOCUMENTS

D346,647 S \* 5/1994 Arnette ..... D23/225  
 5,979,788 A \* 11/1999 Rancourt ..... B05B 9/0403  
 239/11  
 7,389,949 B2 \* 6/2008 Marchand ..... B05B 9/01  
 251/102  
 D632,175 S 2/2011 Tu  
 D675,713 S \* 2/2013 Christensen ..... D23/225  
 D709,988 S \* 7/2014 Ford ..... D23/213  
 D742,998 S \* 11/2015 Gooden ..... B05B 15/65  
 D23/225  
 D747,440 S \* 1/2016 Näslund ..... D23/213  
 D758,555 S \* 6/2016 Van Dyke ..... D23/262  
 D760,363 S \* 6/2016 Yang ..... D23/262  
 D793,833 S \* 8/2017 Russell ..... D8/70  
 D800,400 S \* 10/2017 Tinius ..... D32/16  
 D823,091 S \* 7/2018 Burchard ..... D32/25  
 D823,898 S \* 7/2018 Alexander ..... D15/7  
 D823,900 S \* 7/2018 Alexander ..... D15/7  
 D826,065 S \* 8/2018 Kellman ..... D9/503  
 D827,773 S \* 9/2018 Schneider ..... D23/225  
 D827,774 S \* 9/2018 Schneider ..... D23/225  
 D827,775 S \* 9/2018 Schneider ..... D23/225  
 D827,776 S \* 9/2018 Schneider ..... D23/225  
 D861,453 S \* 10/2019 Lai ..... D8/70  
 D872,829 S \* 1/2020 Bloom ..... D23/213  
 D885,155 S \* 5/2020 Moss ..... D8/86  
 D888,779 S \* 6/2020 Quan ..... D15/11  
 D894,334 S \* 8/2020 Huaping ..... D23/209  
 D902,345 S \* 11/2020 Alexander ..... D23/223

D911,489 S \* 2/2021 Spooner ..... D23/213  
 D918,341 S \* 5/2021 Wang ..... D23/225  
 D923,748 S \* 6/2021 Lo ..... D9/692  
 D940,978 S \* 1/2022 Lin ..... D23/213  
 D942,722 S \* 2/2022 Lin ..... D32/25  
 D952,098 S \* 5/2022 Tong ..... D32/25  
 D956,927 S \* 7/2022 Qiao ..... D23/225

OTHER PUBLICATIONS

FUNTECK Foam Cannon, available in Amazon.ca, date first available Aug. 19, 2019 [online], [site visited Nov. 17, 2021], Available from the internet URL: [https://www.amazon.ca/FUNTECK-Adjustable-Compatible-Karchers-Pressure/dp/B07WNGS25C/ref=pd\\_sbs\\_4/133-9679745-5060430](https://www.amazon.ca/FUNTECK-Adjustable-Compatible-Karchers-Pressure/dp/B07WNGS25C/ref=pd_sbs_4/133-9679745-5060430) (Year: 2019).\*

M MINGLE Foam Cannon, available in Amazon.ca, date first available Oct. 12, 2019 [online], [site visited Nov. 17, 2021], Available from the internet URL: [https://www.amazon.ca/MINGLE-Cannon-Replacement-Pressure-Connector/dp/B07SWYXDJ2/ref=pb\\_allspark\\_dp\\_sims\\_pao\\_desktop\\_session\\_based\\_5/131-7770085-4065942](https://www.amazon.ca/MINGLE-Cannon-Replacement-Pressure-Connector/dp/B07SWYXDJ2/ref=pb_allspark_dp_sims_pao_desktop_session_based_5/131-7770085-4065942) (Year: 2019).\*

Sun Joe SPX-FC26 26-Oz Adjustable Snow Foamer Cannon, available in Amazon.ca, date first available Mar. 8, 2018 [online], [site visited Nov. 17, 2021], Available from the internet URL: [https://www.amazon.ca/dp/B079Z4J9ZV/ref=sspa\\_dk\\_detail\\_3](https://www.amazon.ca/dp/B079Z4J9ZV/ref=sspa_dk_detail_3) (Year: 2018).\*

10 Best Foam Cannon Lances of Jul. 2022, available in <https://www.bestreviews.guide>, announced Jul. 2022 [online], [site visited Jul. 15, 2022], Internet URL: <https://www.bestreviews.guide/foam-cannon-lance> (Year: 2022).\*

\* cited by examiner

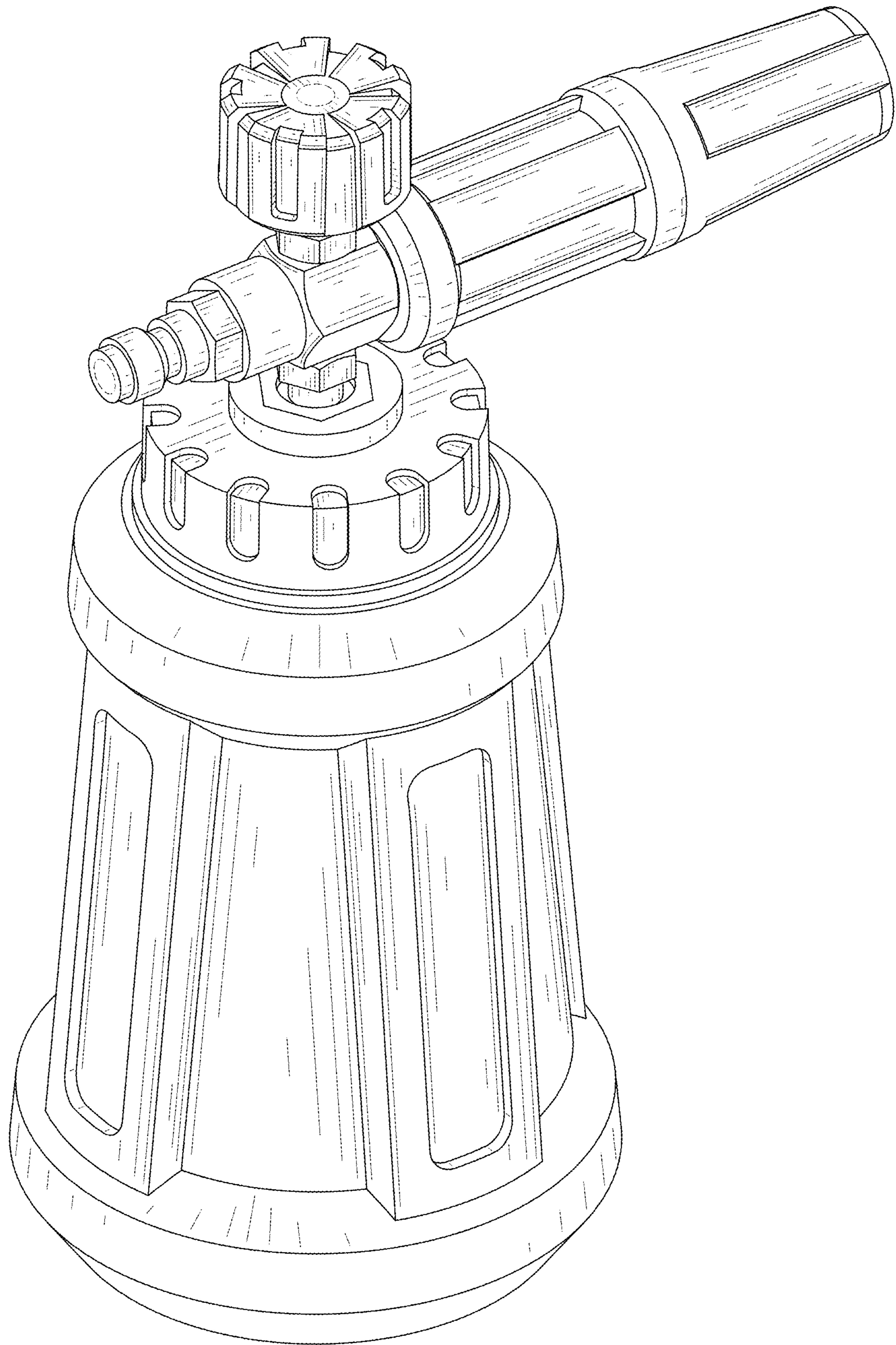


FIG. 1

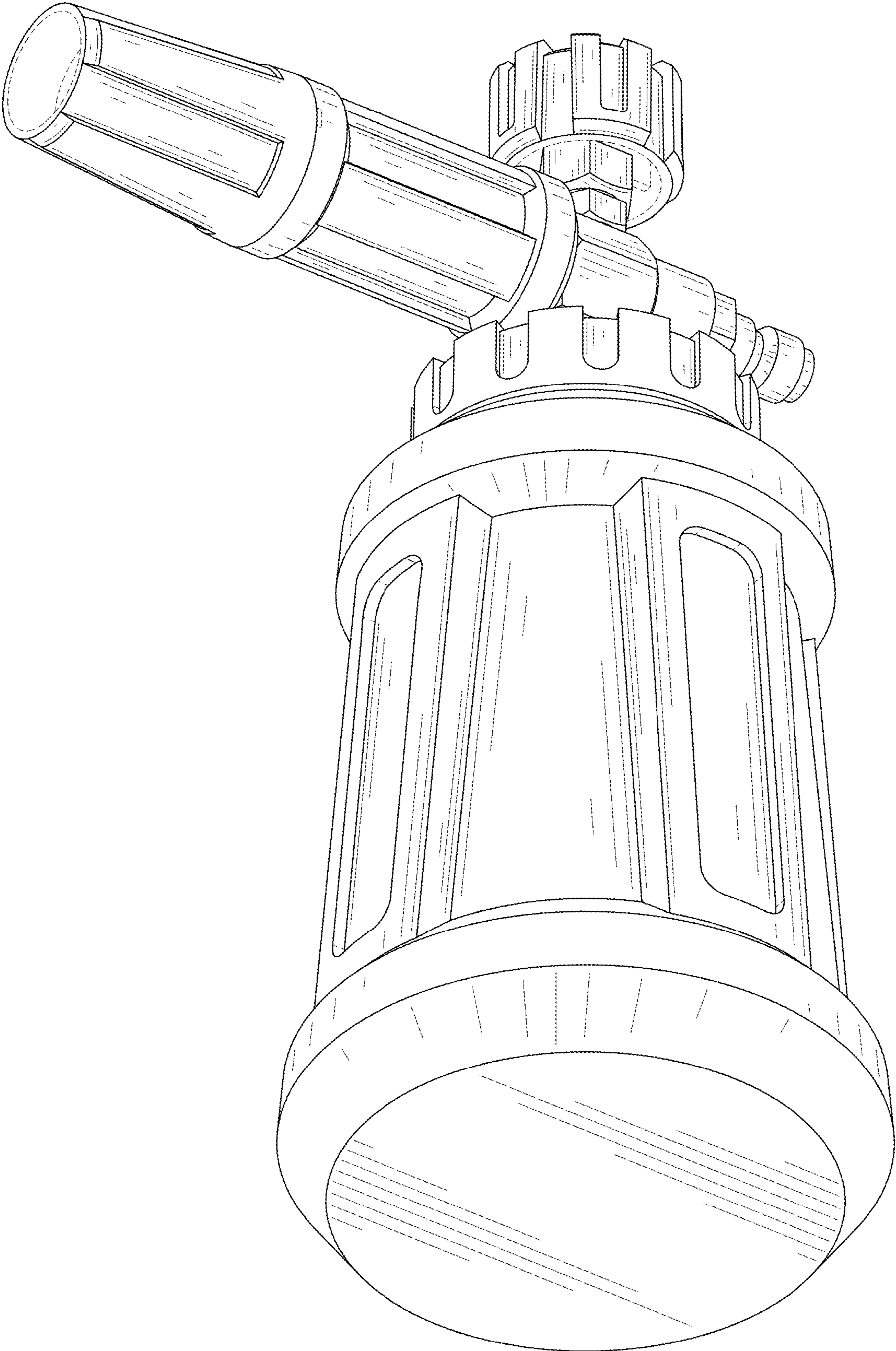


FIG. 2

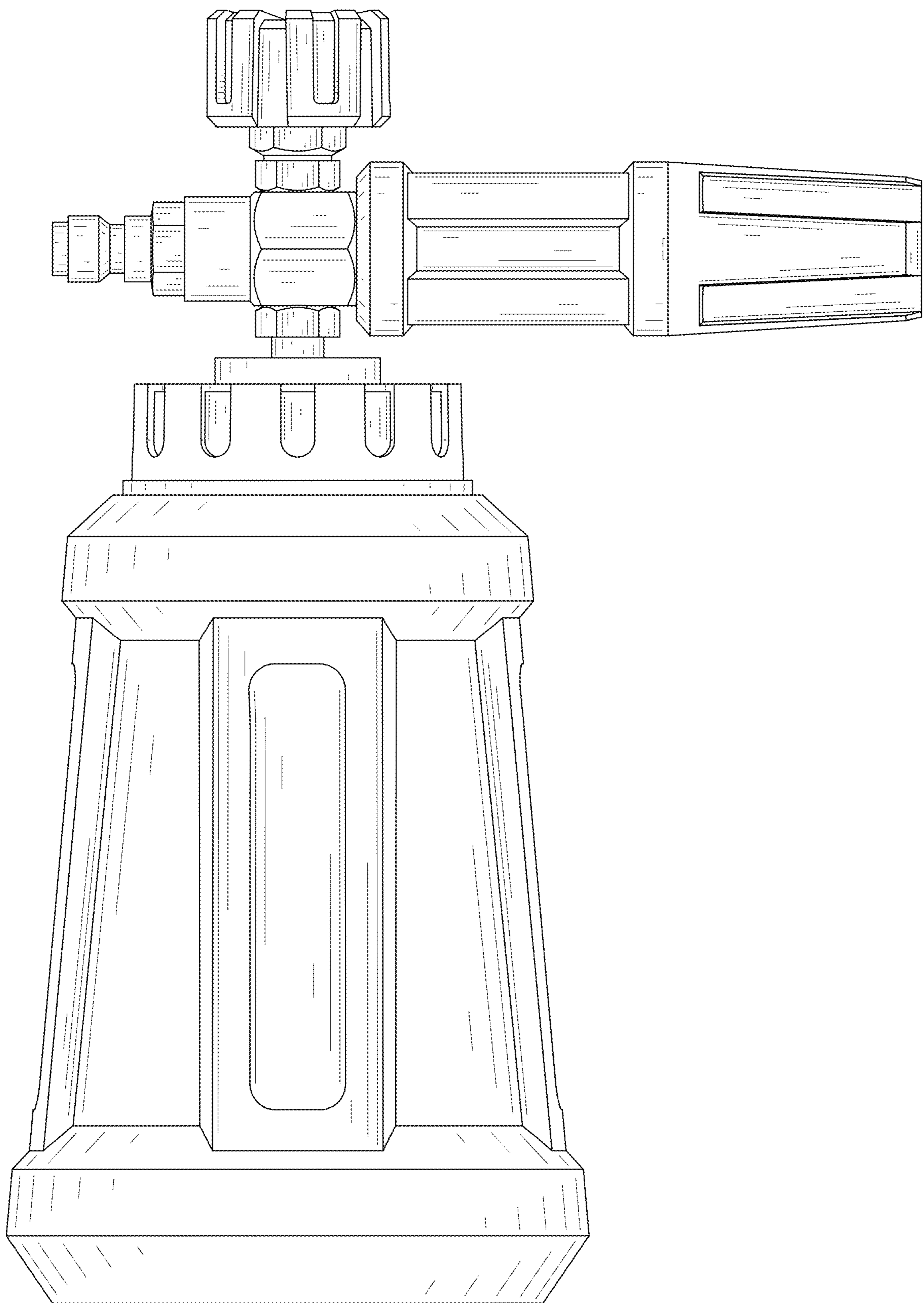


FIG. 3

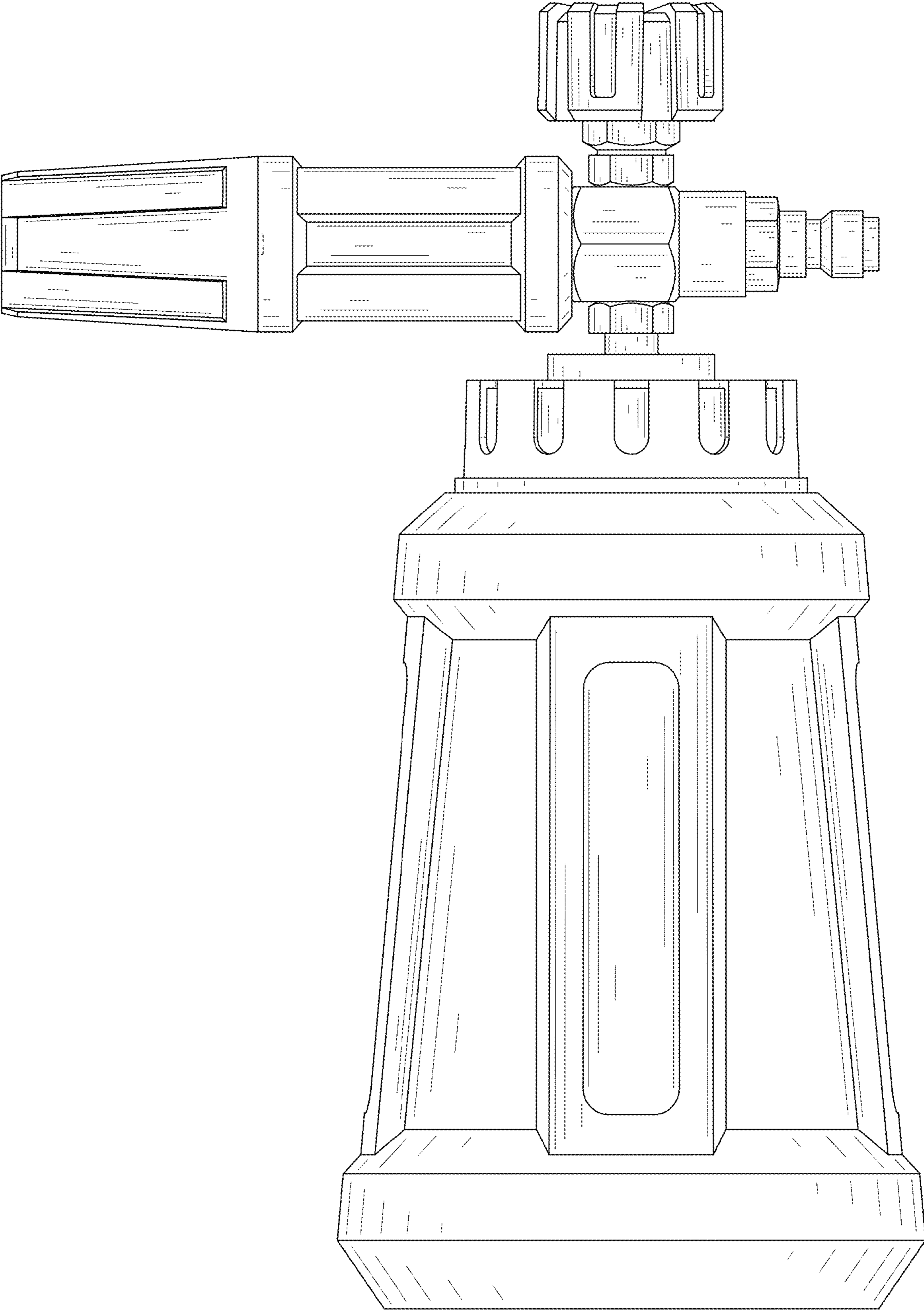


FIG. 4

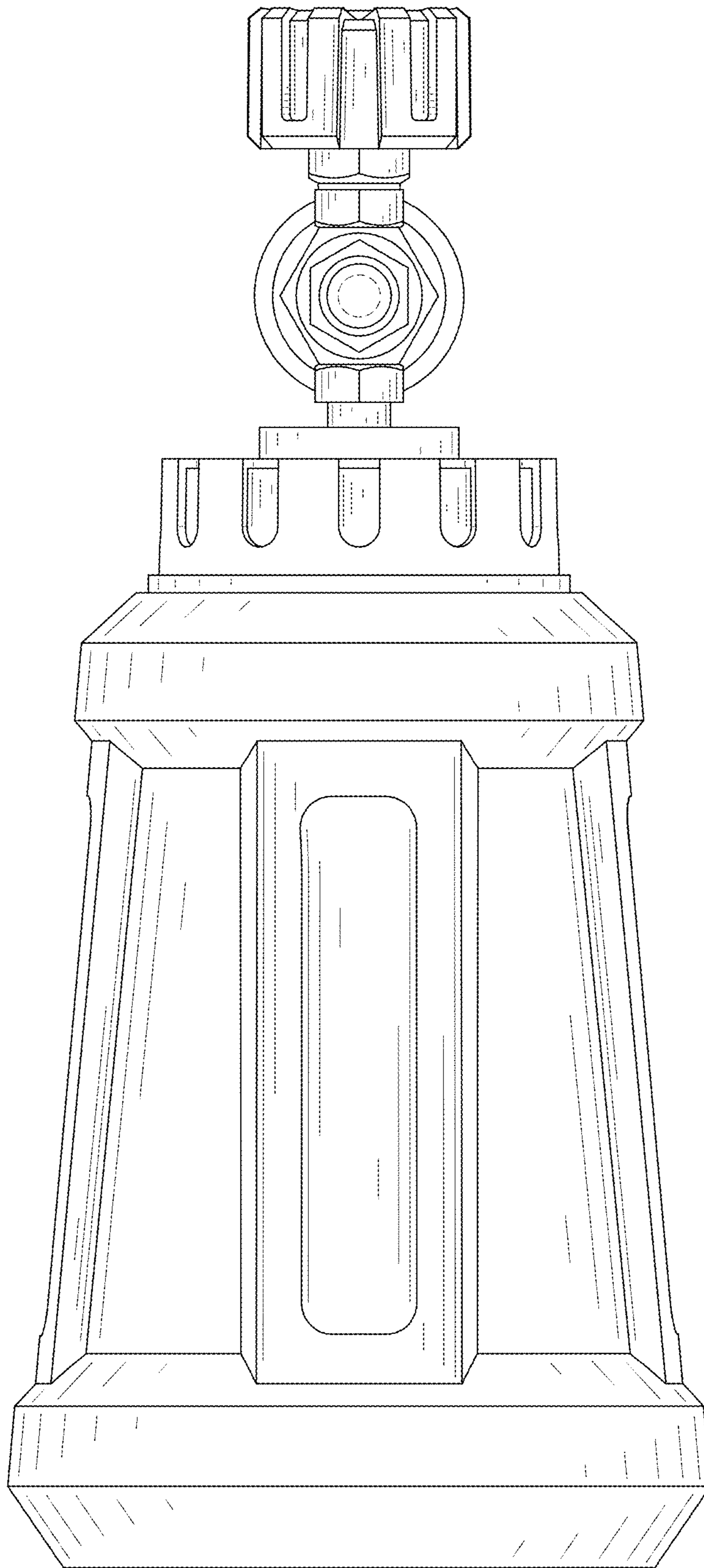


FIG. 5

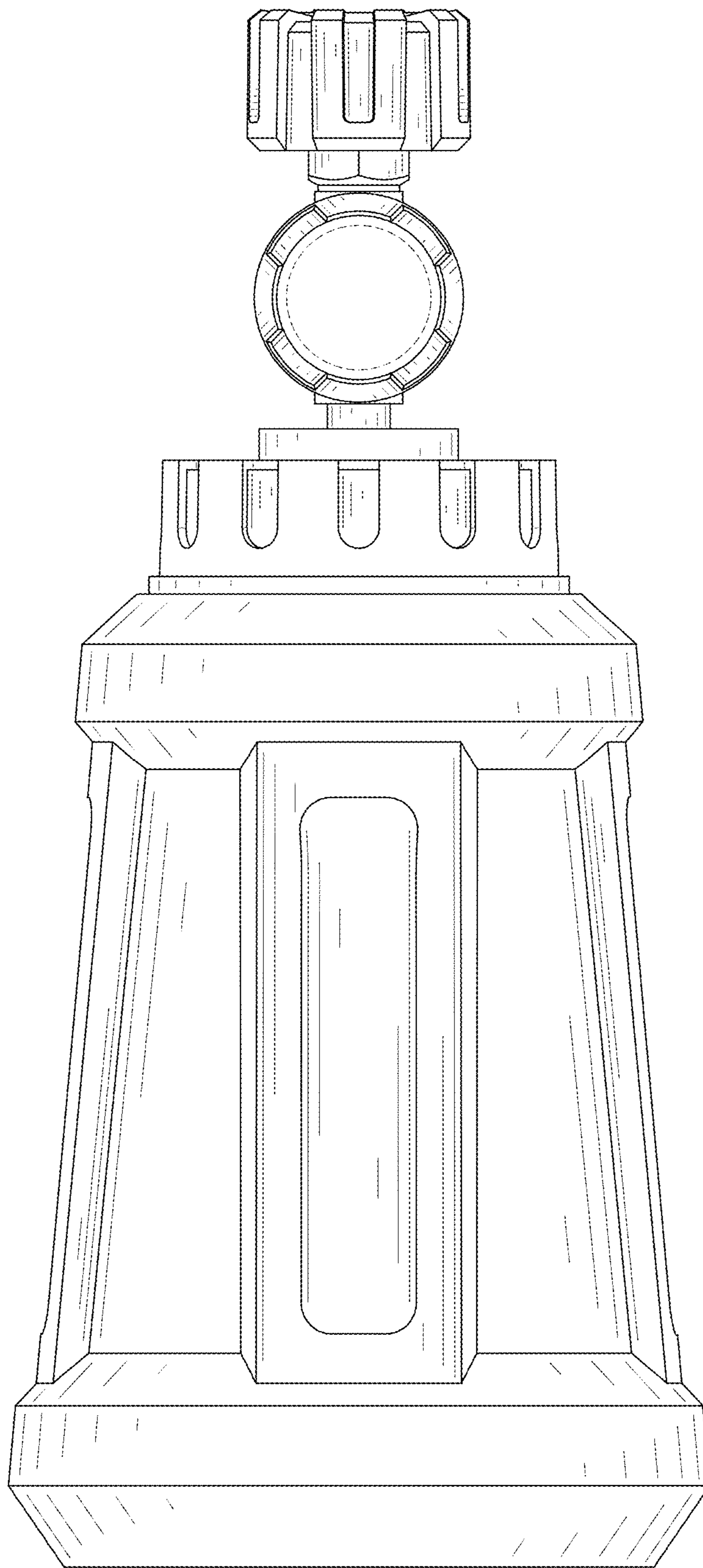


FIG. 6



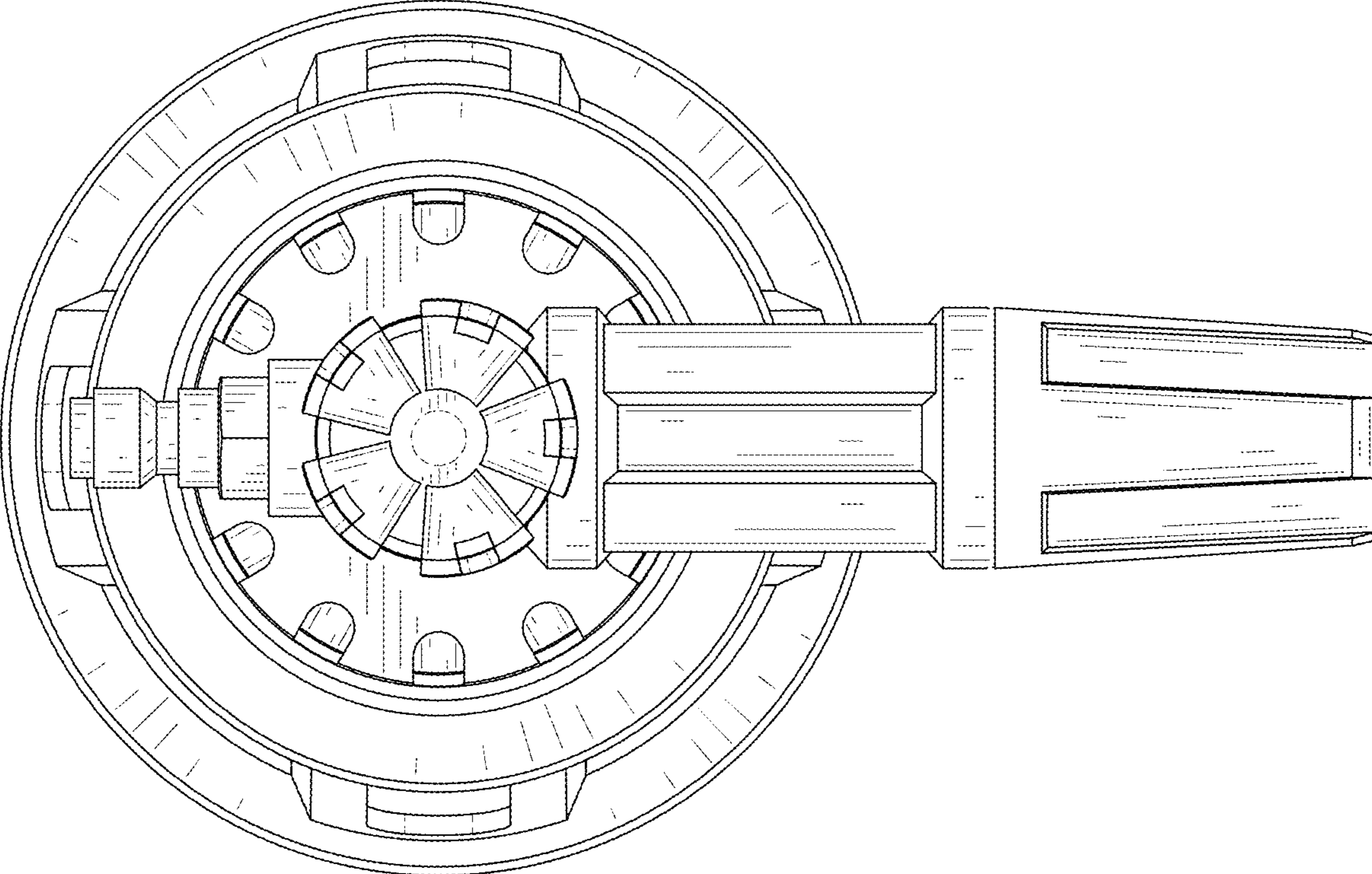


FIG. 7

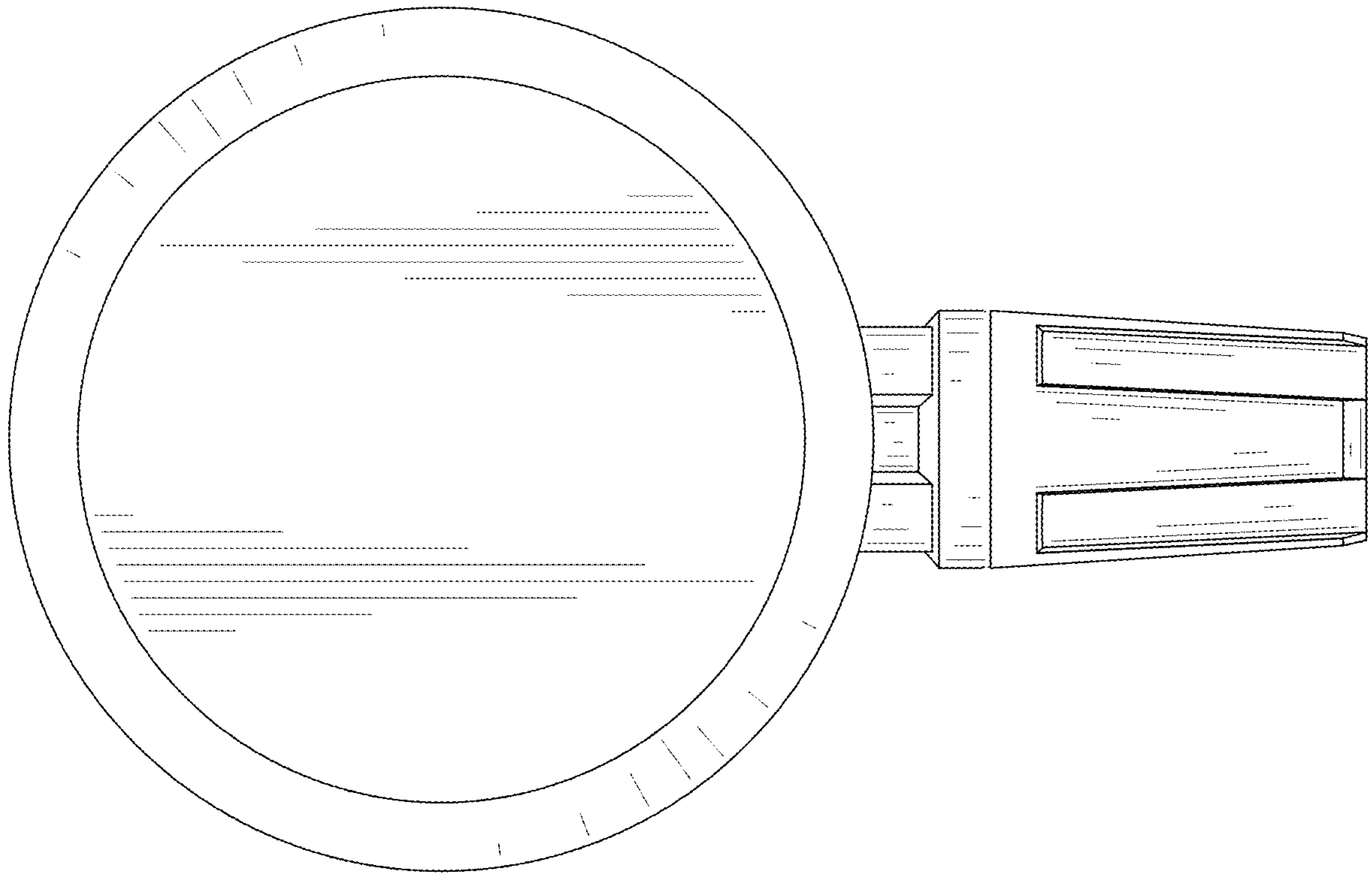


FIG. 8