

US00D964674S

(12) **United States Design Patent**
Kim et al.

(10) **Patent No.:** **US D964,674 S**

(45) **Date of Patent:** **** Sep. 20, 2022**

(54) **BODY OF THE VACUUM CLEANER**

(71) Applicant: **LG ELECTRONICS INC.**, Seoul (KR)

(72) Inventors: **Jinju Kim**, Seoul (KR); **Hoil Jeon**, Seoul (KR); **Seongmin Kim**, Seoul (KR); **Nerry Son**, Seoul (KR)

(73) Assignee: **LG ELECTRONICS INC.**, Seoul (KR)

(**) Term: **15 Years**

(21) Appl. No.: **29/772,146**

(22) Filed: **Feb. 26, 2021**

(30) **Foreign Application Priority Data**

Aug. 28, 2020 (KR) 30-2020-0040506

(51) **LOC (13) Cl.** **15-05**

(52) **U.S. Cl.**
USPC **D32/18**

(58) **Field of Classification Search**
USPC D32/15, 17-24, 31-34
CPC A47L 5/24; A47L 7/0076; A47L 11/04;
A47L 11/22; A47L 5/28; A47L 9/106;
A47L 11/30; A47L 11/4005; A47L 9/32;
A47L 9/322; A47L 9/325; B04C 5/185;
E04H 4/1636

See application file for complete search history.

(56) **References Cited**

U.S. PATENT DOCUMENTS

D818,223 S * 5/2018 Nam D32/18
D821,667 S * 6/2018 Nam D32/18
D826,493 S * 8/2018 Nam D32/18

D839,509 S * 1/2019 Nam D32/18
D839,510 S * 1/2019 Nam D32/18
D844,918 S * 4/2019 Kim D32/34
10,638,901 B2 * 5/2020 Yang A47L 9/0461
D915,697 S * 4/2021 Kim B01D 46/62
D32/18
D927,103 S * 8/2021 Zou D32/18
D936,311 S * 11/2021 Liu D32/18
11,191,404 B2 * 12/2021 Hyun A47L 9/1683
D946,221 S * 3/2022 Ma D32/18
D947,472 S * 3/2022 He D32/18
D948,142 S * 4/2022 He D32/18
2021/0186287 A1 * 6/2021 Lee A47L 9/1683
2021/0219799 A1 * 7/2021 Park A47L 5/225
2021/0235953 A1 * 8/2021 Lee A47L 9/22
2021/0259492 A1 * 8/2021 Hyun A47L 9/1666
2022/0022710 A1 * 1/2022 Lee A47L 9/02

* cited by examiner

Primary Examiner — Kimberly Barnes

(74) *Attorney, Agent, or Firm* — Birch, Stewart, Kolasch & Birch, LLP

(57) **CLAIM**

The ornamental design for a body of the vacuum cleaner, as shown and described.

DESCRIPTION

FIG. 1 is a front perspective view of a body of the vacuum cleaner showing our new design;
FIG. 2 is a front view thereof;
FIG. 3 is a back view thereof;
FIG. 4 is a left side view thereof;
FIG. 5 is a right side view thereof;
FIG. 6 is a top plan view thereof; and,
FIG. 7 is a bottom plan view thereof.
The broken lines depict portions of the body of the vacuum cleaner that form no part of the claimed design.

1 Claim, 7 Drawing Sheets

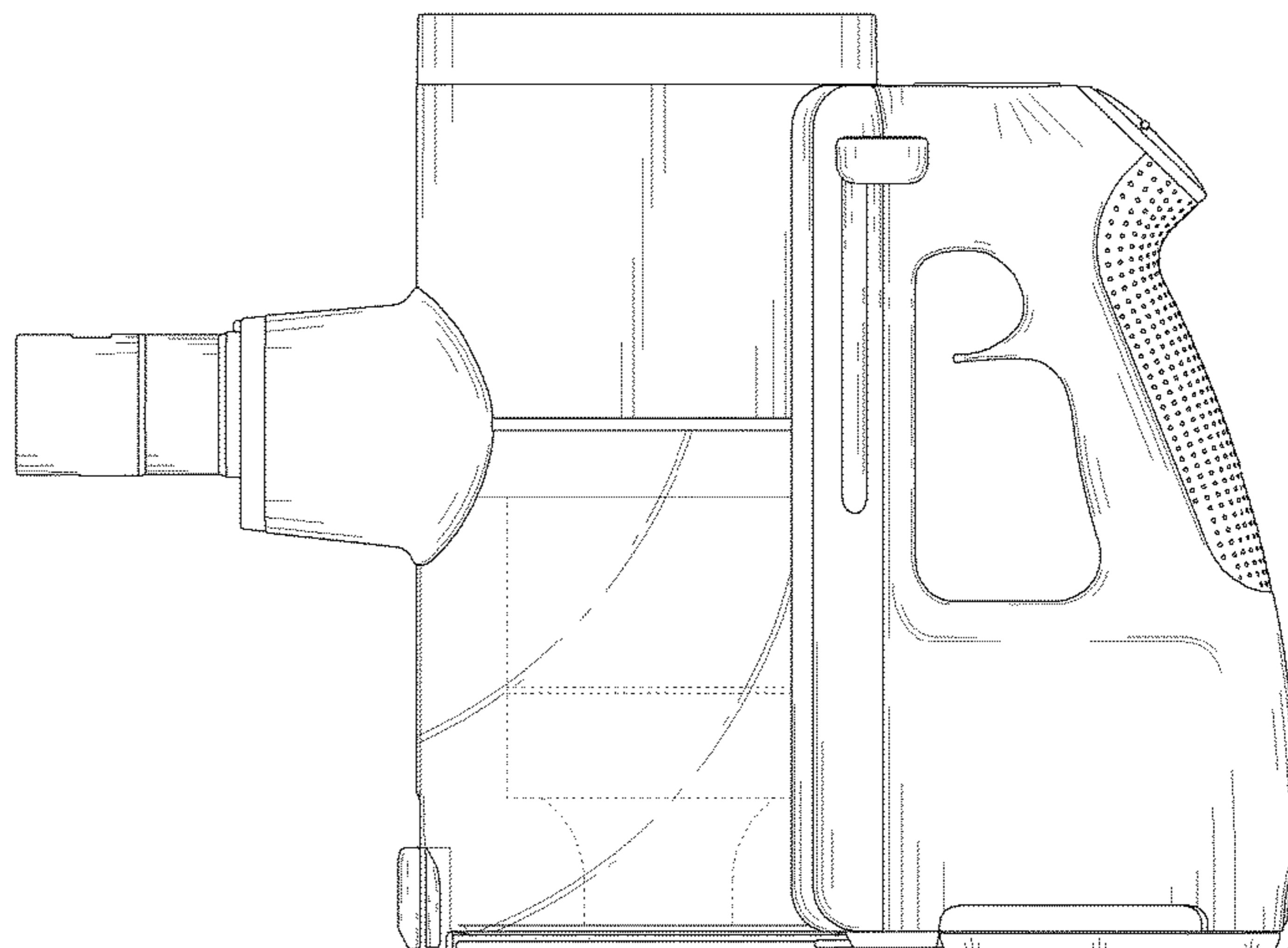
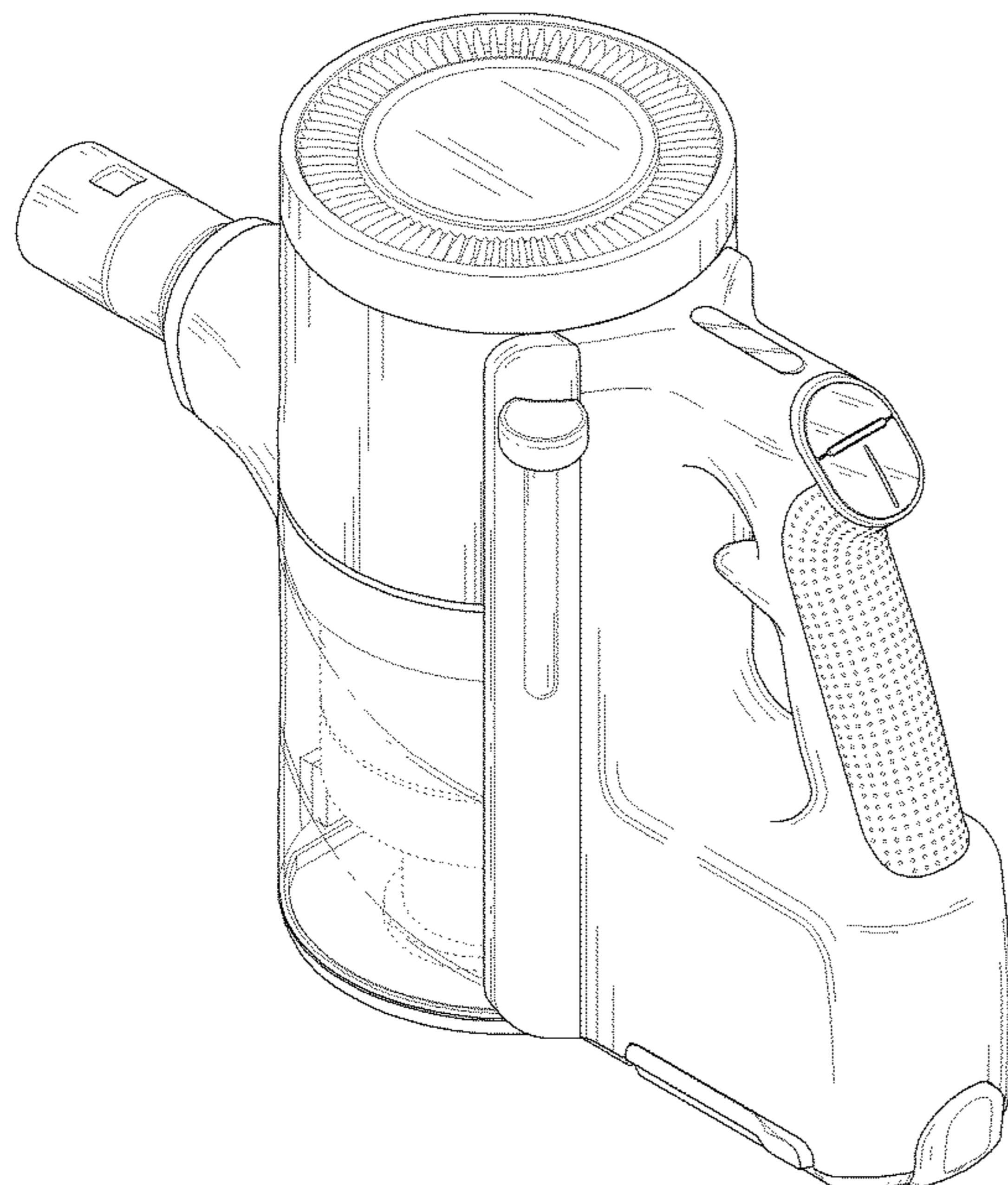


FIG. 1

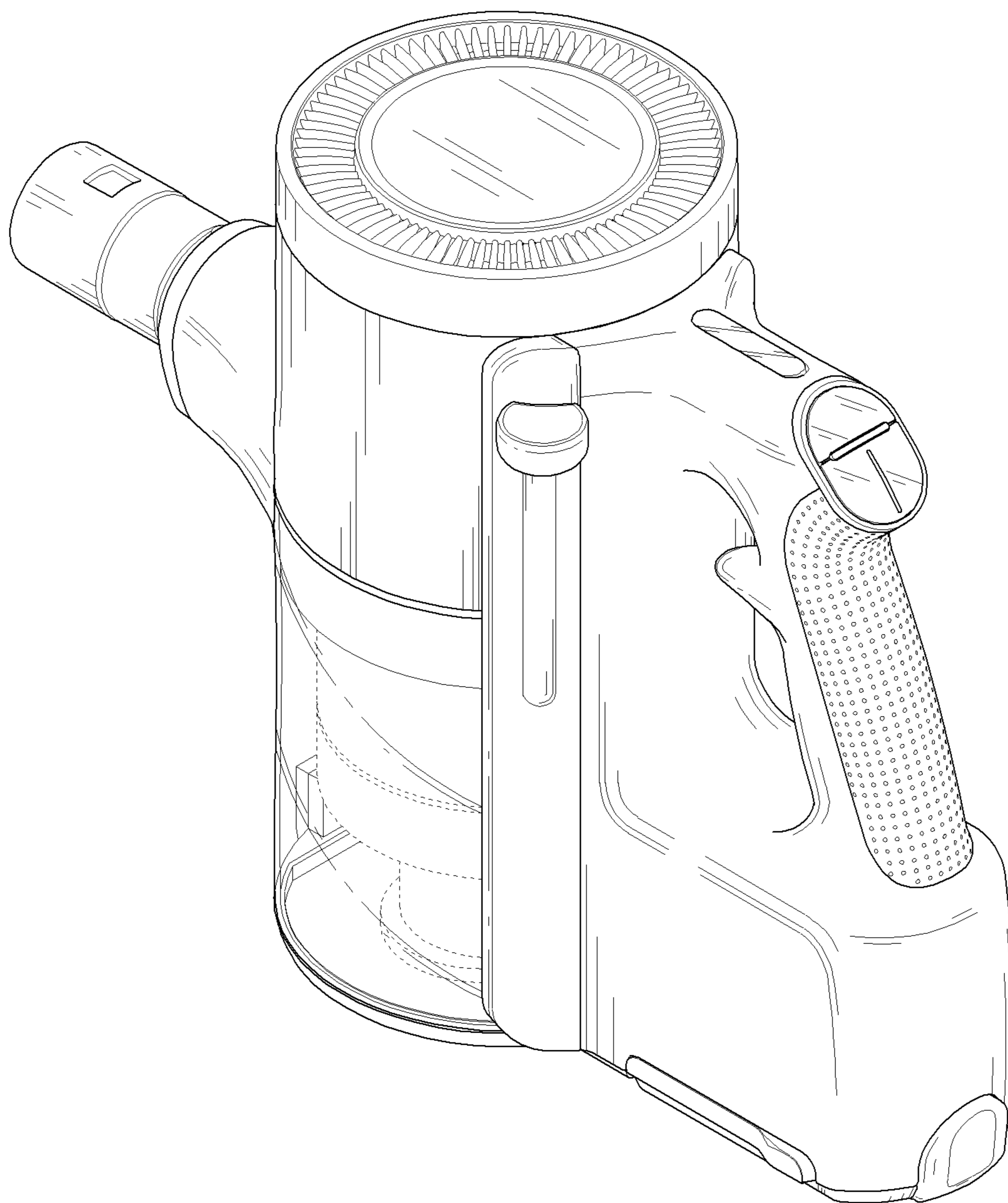


FIG. 2

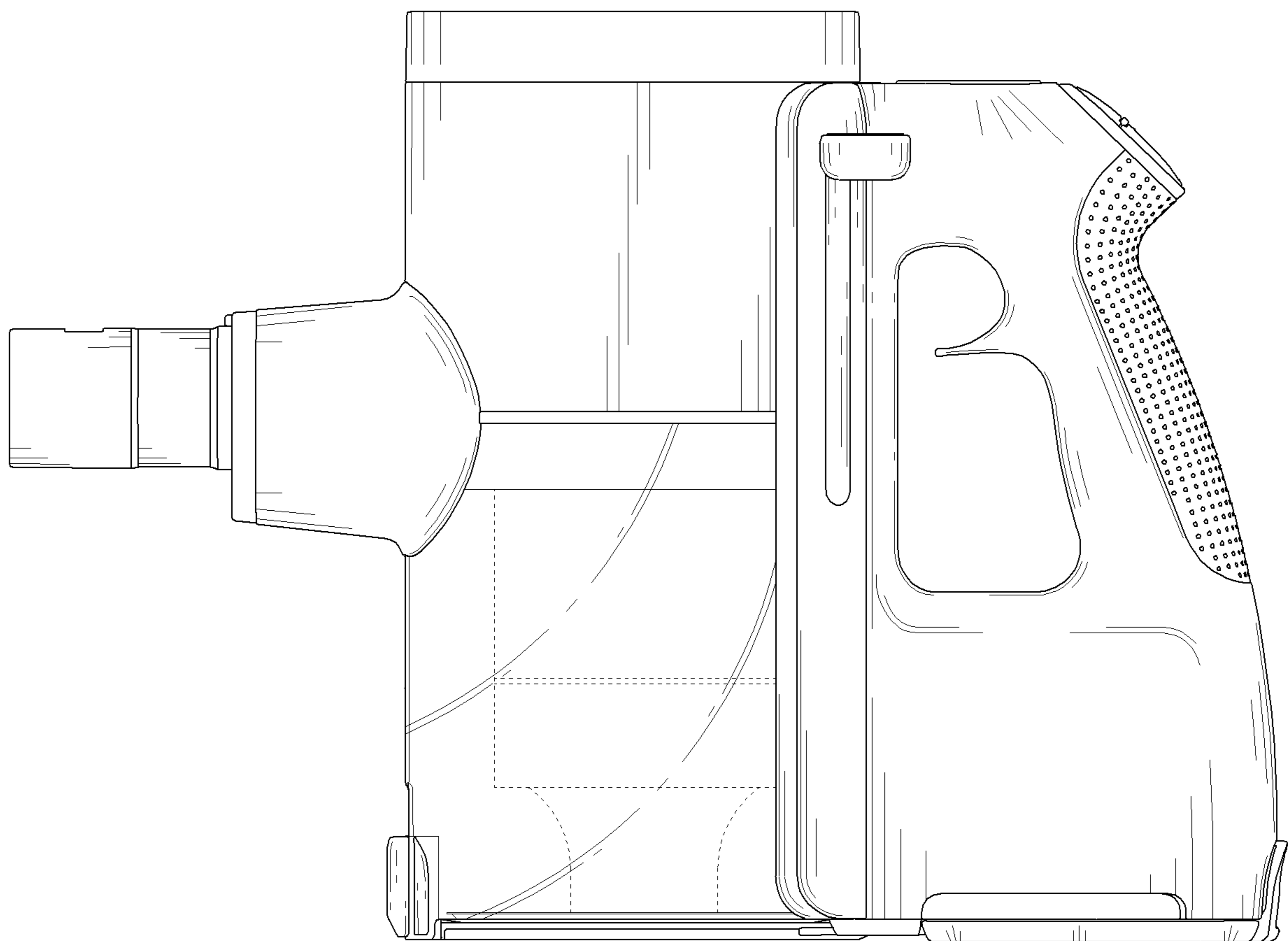


FIG. 3

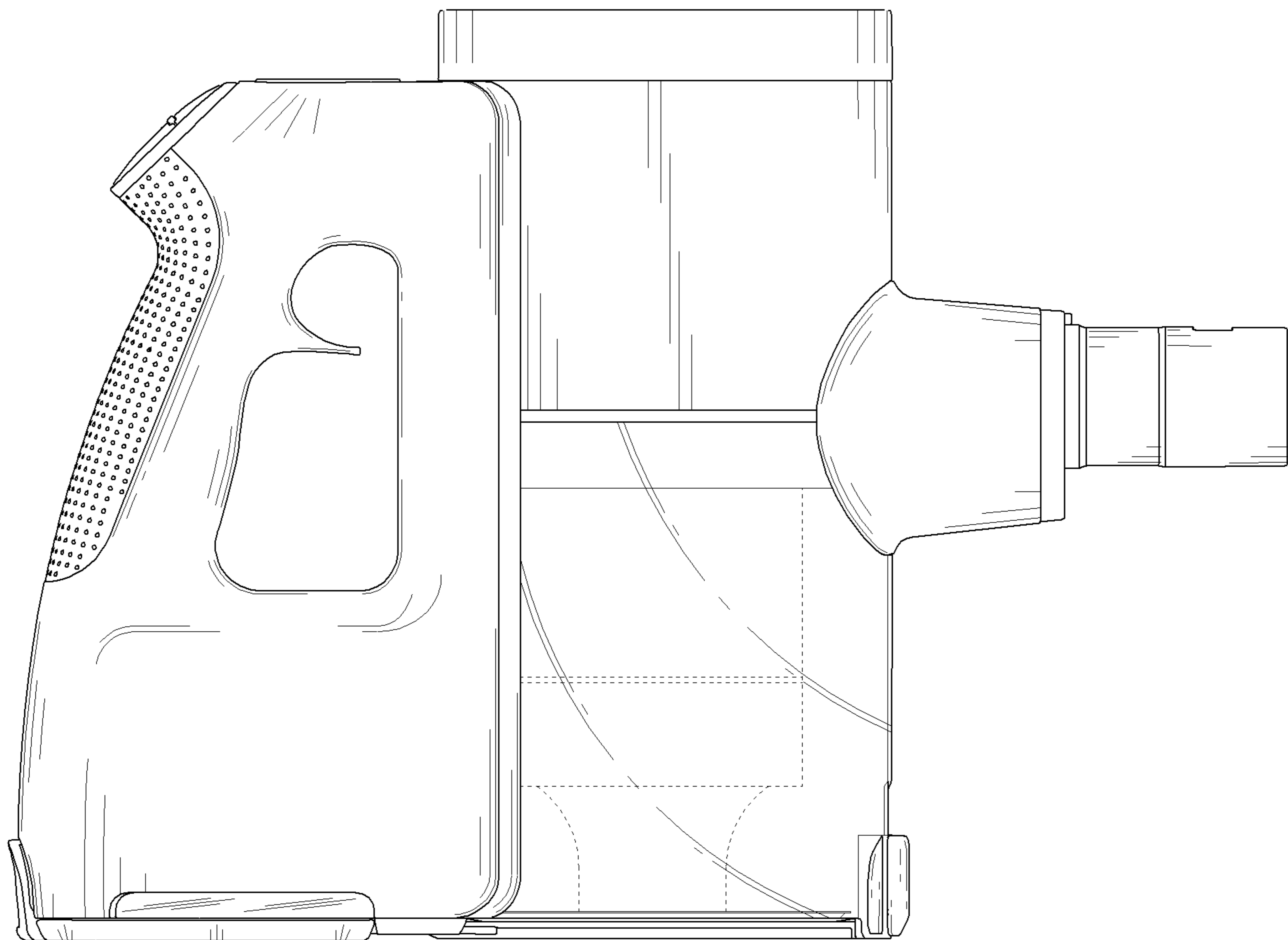


FIG. 4

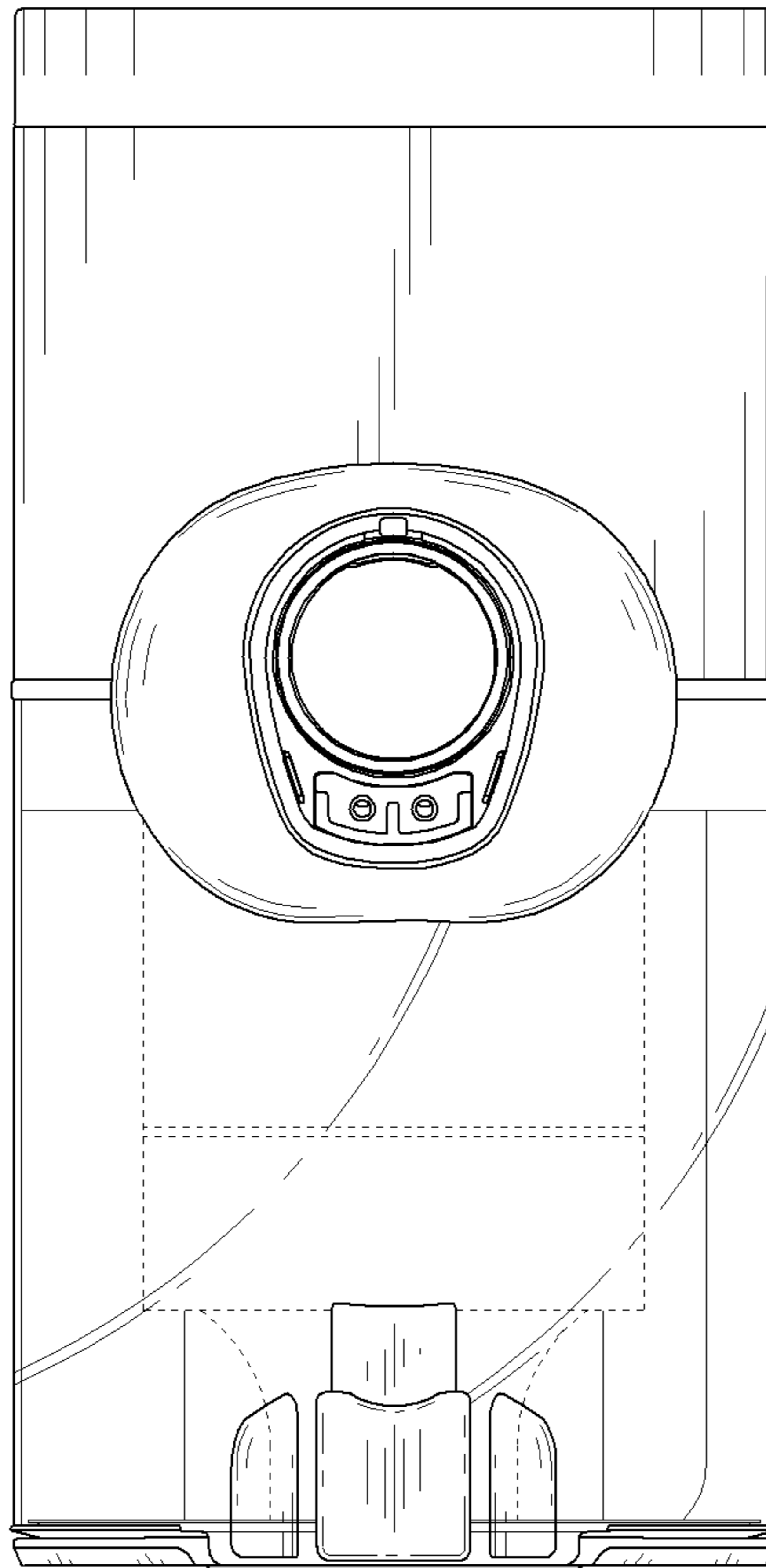


FIG. 5

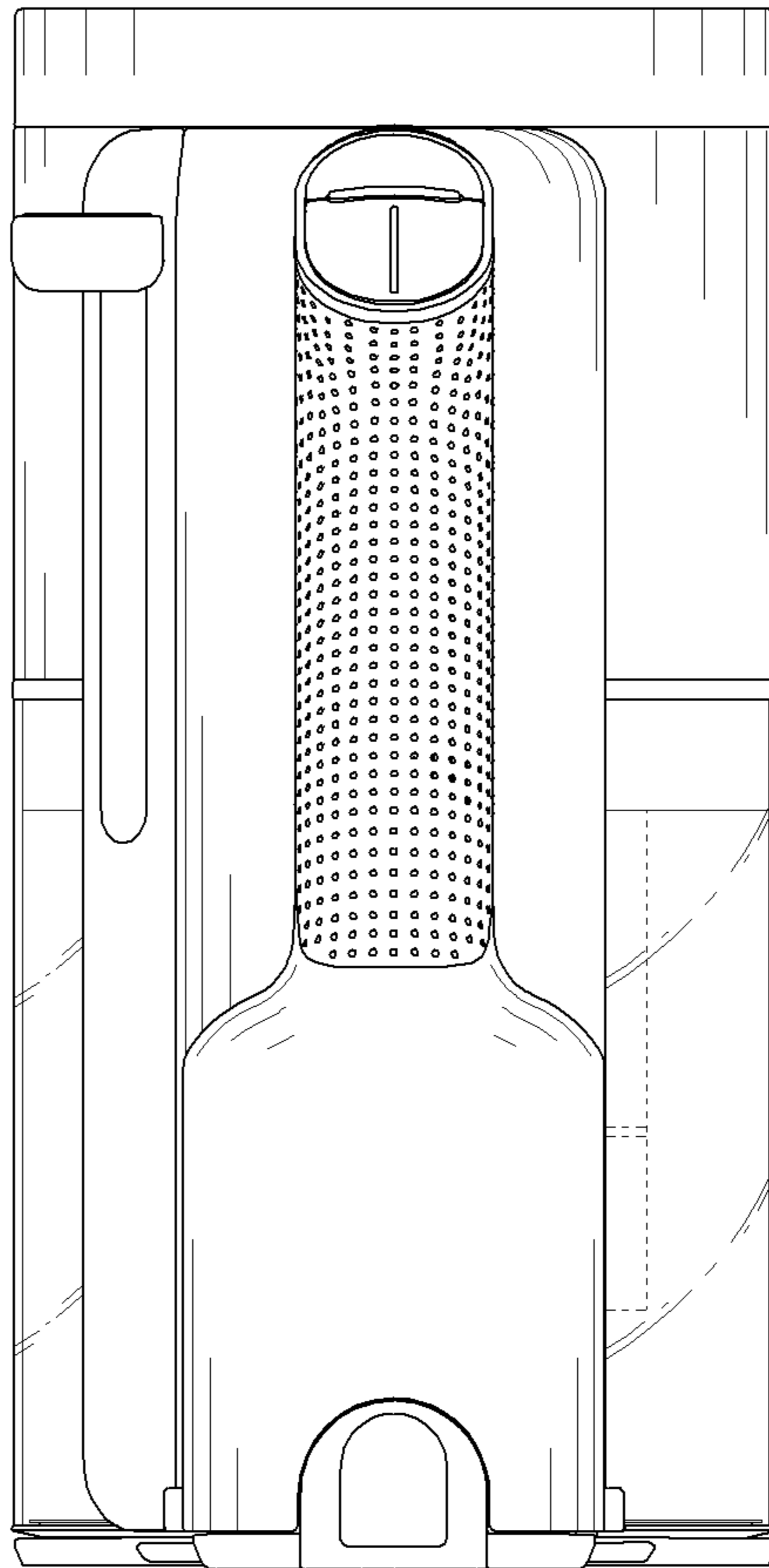


FIG. 6

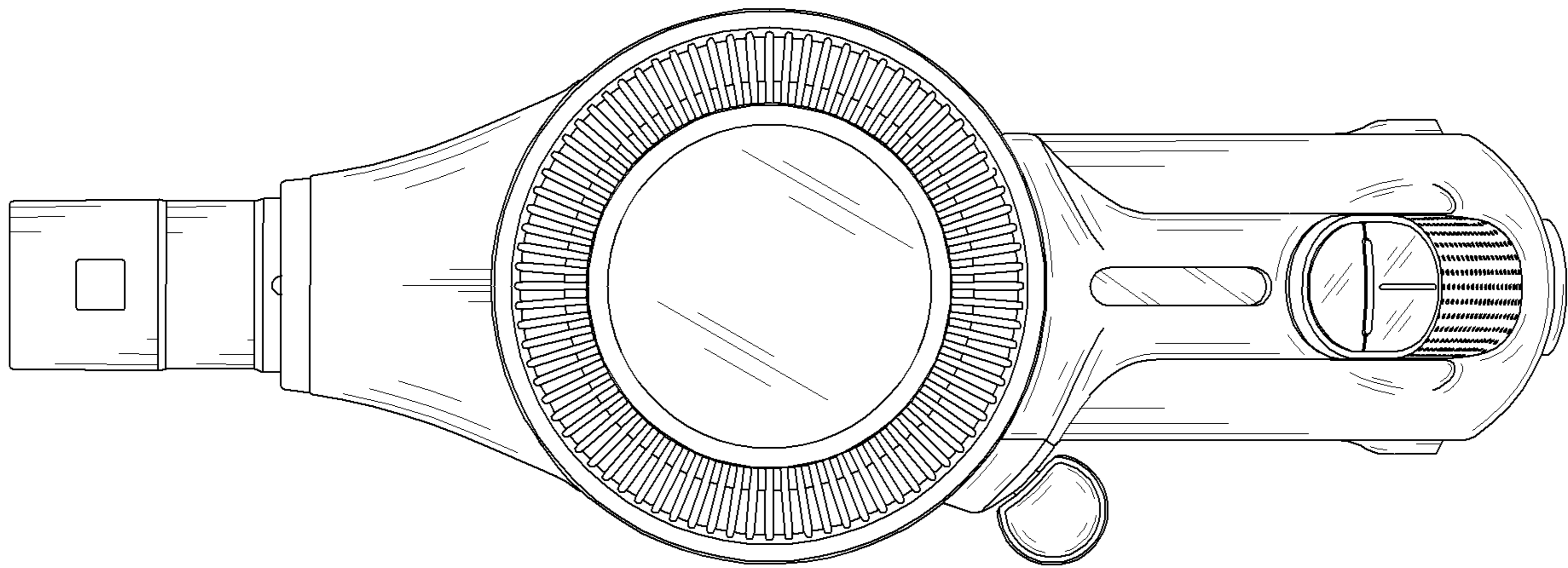


FIG. 7

