

US00D964672S

(12) **United States Design Patent**
Mehra et al.

(10) **Patent No.:** **US D964,672 S**

(45) **Date of Patent:** **** Sep. 20, 2022**

(54) **BLOWER**

(71) Applicant: **HUSQVARNA AB**, Huskvarna (SE)

(72) Inventors: **Rajinder Mehra**, Johanneshov (SE);
Elin Atlebond, Stockholm (SE)

(73) Assignee: **HUSQVARNA AB**, Huskvarna (SE)

(**) Term: **15 Years**

(21) Appl. No.: **29/694,601**

(22) Filed: **Jun. 12, 2019**

(30) **Foreign Application Priority Data**

Dec. 12, 2018 (EM) 05887072-0003

(51) **LOC (13) Cl.** **15-05**

(52) **U.S. Cl.**
USPC **D32/15**

(58) **Field of Classification Search**
USPC D32/1, 14, 15-16, 19, 25, 35, 40-43;
D8/62; D15/1
CPC ... B08B 3/02; B24B 23/02; A47L 5/14; A47L
9/00; A01G 1/12
See application file for complete search history.

(56) **References Cited**

U.S. PATENT DOCUMENTS

- 5,813,088 A * 9/1998 Wagner F16M 13/04
15/327.5
- D400,322 S * 10/1998 Webster D32/18
- D481,497 S * 10/2003 Malmqvist D3/216
- D481,839 S * 11/2003 Almqvist D32/15
- D591,916 S * 5/2009 Kosugi D32/15
- D599,464 S * 9/2009 Noda D23/383
- D602,956 S * 10/2009 Herzer D15/1
- D602,958 S * 10/2009 Herzer D15/1
- D604,917 S * 11/2009 Tinius D32/15
- D640,846 S * 6/2011 Tinius D32/15
- D696,823 S * 12/2013 Crawley D32/15
- D708,731 S * 7/2014 Lei D23/383

- D741,917 S * 10/2015 Tinius D15/15
- D742,603 S * 11/2015 Tschopp D32/15
- D747,050 S * 1/2016 Martin D32/15
- D750,333 S * 2/2016 Kane D32/25
- D751,685 S * 3/2016 Wanezaki D23/386
- D798,513 S * 9/2017 Tinius D32/15
- 10,085,390 B2 * 10/2018 Ishikawa F02M 35/1017
- D834,271 S * 11/2018 Naslund D32/15
- D836,766 S * 12/2018 He D23/383
- D840,550 S * 2/2019 Fogel D24/232
- D868,229 S * 11/2019 Chen D23/332
- 10,555,646 B2 * 2/2020 Pickett A45F 3/14

(Continued)

FOREIGN PATENT DOCUMENTS

EM 001833377-0002 * 3/2011

OTHER PUBLICATIONS

Best backleafblowers of 2021, site visited Sep. 11, 2021, <https://www.bobvila.com/articles/best-backpack-leaf-blower/>.*

Primary Examiner — John R Yeh

(74) *Attorney, Agent, or Firm* — Burr & Forman LLP

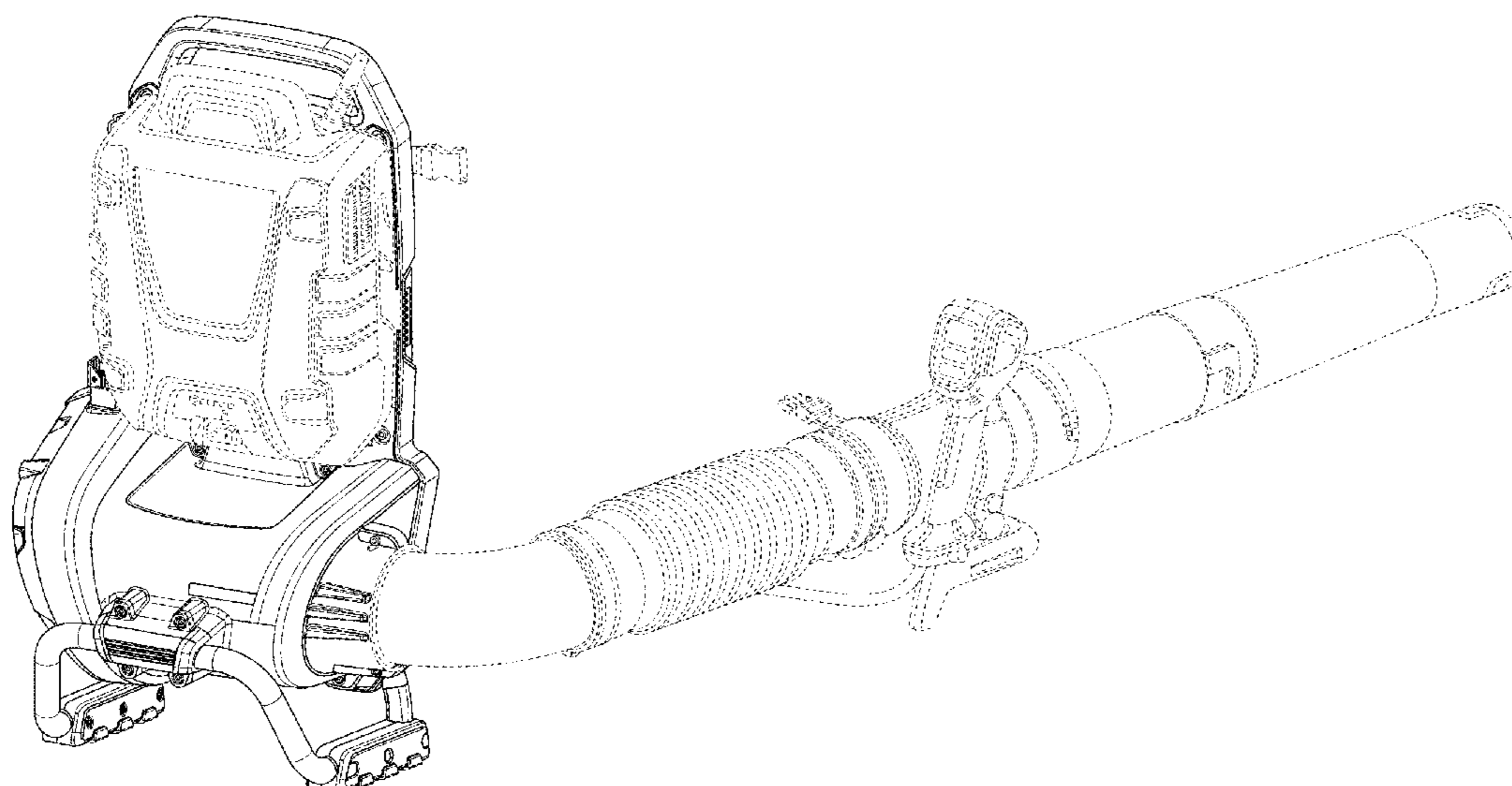
(57) **CLAIM**

The ornamental design for a blower, as shown and described.

DESCRIPTION

FIG. 1 is a front, left side perspective view of our new design for a blower;
FIG. 2 is a front elevation view thereof;
FIG. 3 is a rear elevation view thereof;
FIG. 4 is a top plan view thereof;
FIG. 5 is a bottom plan view thereof;
FIG. 6 is a left side elevation view thereof; and,
FIG. 7 is a right side elevation view thereof.
The broken lines in FIGS. 1-7 depict portions of the blower that form no part of the claimed design.

1 Claim, 7 Drawing Sheets



(56)

References Cited

U.S. PATENT DOCUMENTS

D882,191 S * 4/2020 Baxter D32/15
2008/0307602 A1* 12/2008 Andriolo E01H 1/0809
15/330
2009/0212068 A1* 8/2009 Rappin B05B 7/2435
222/1
2015/0373921 A1* 12/2015 DeSanti A01G 20/47
15/344
2021/0205830 A1* 7/2021 Jackson F04B 53/16

* cited by examiner

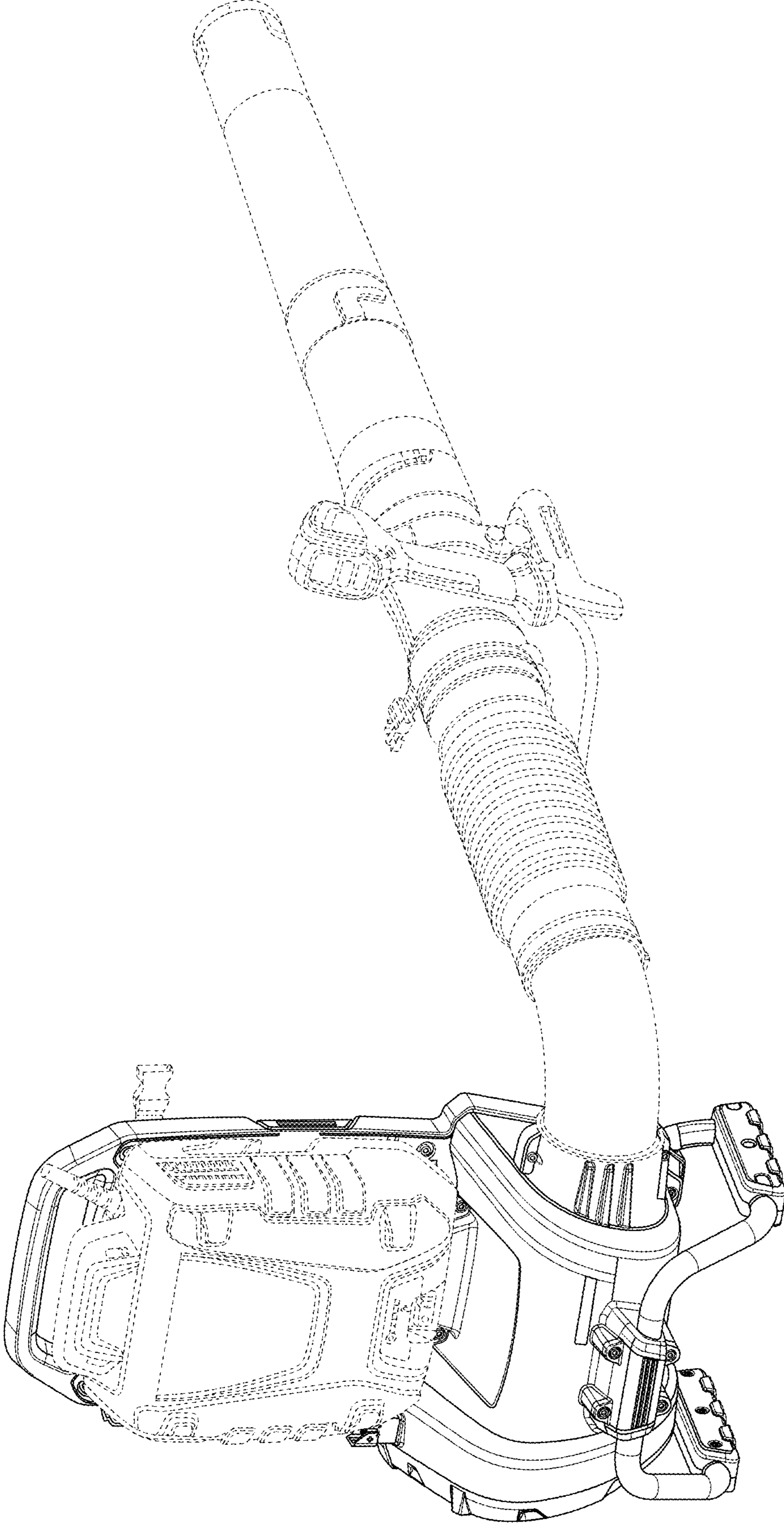


FIG. 1

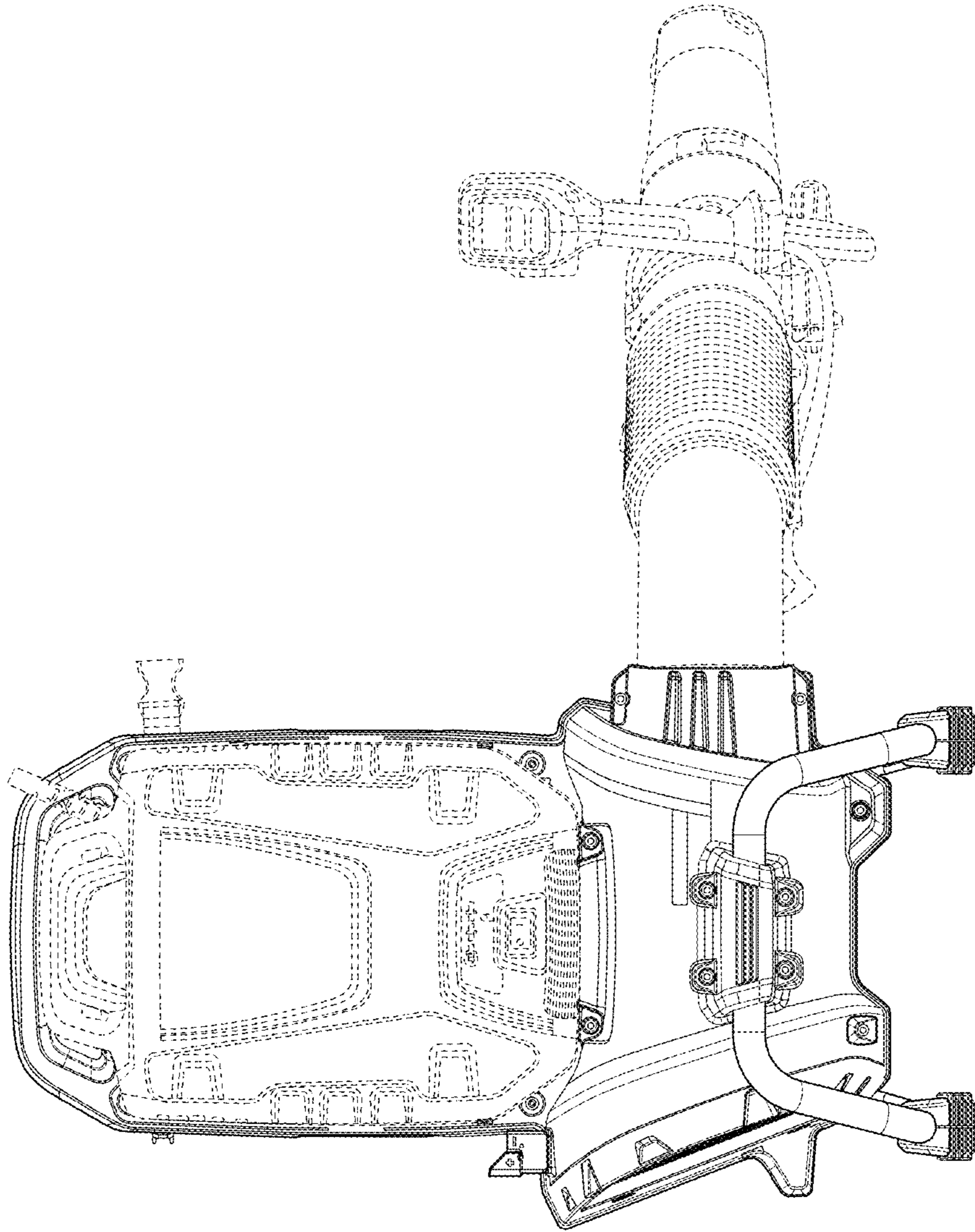


FIG. 2

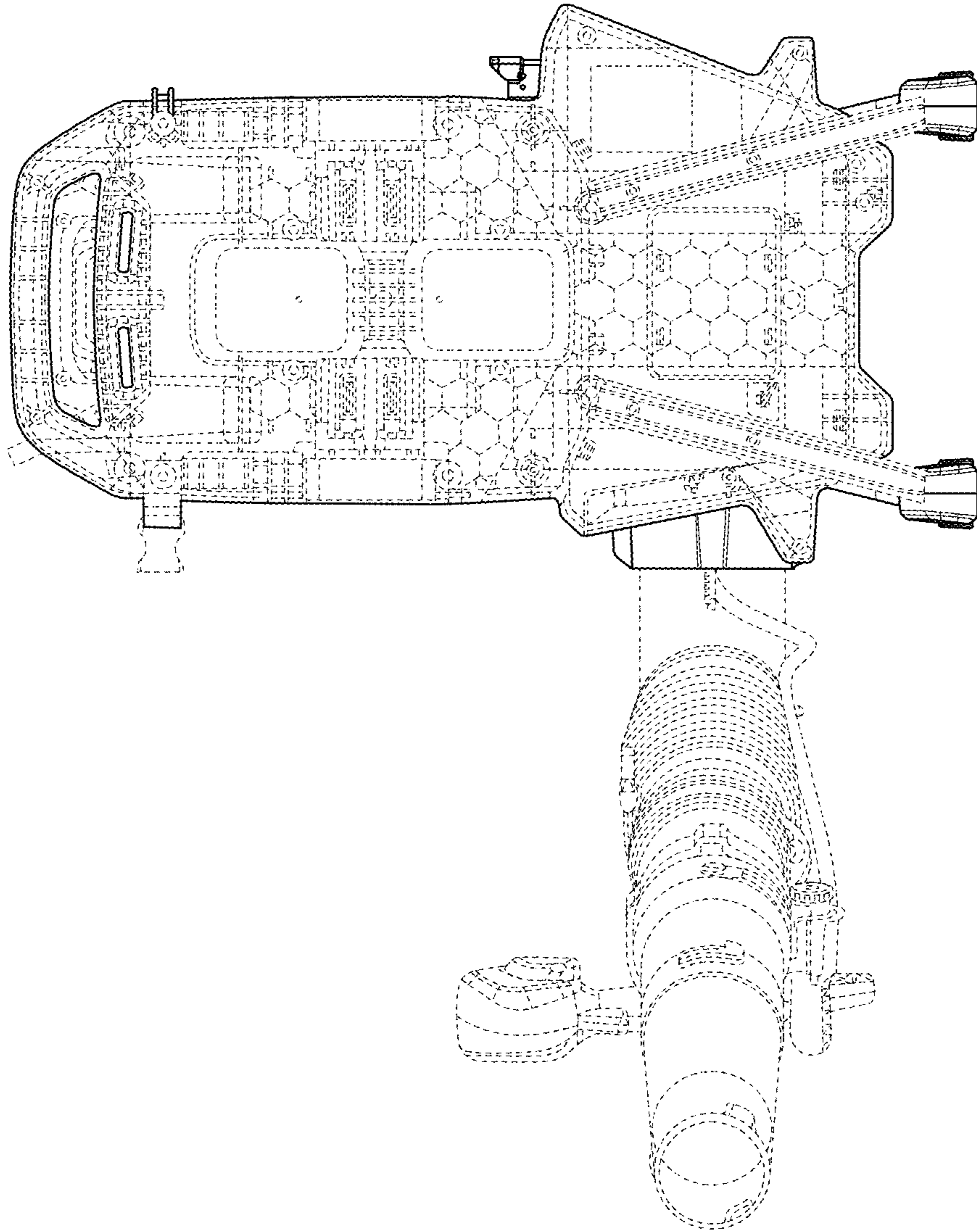


FIG. 3

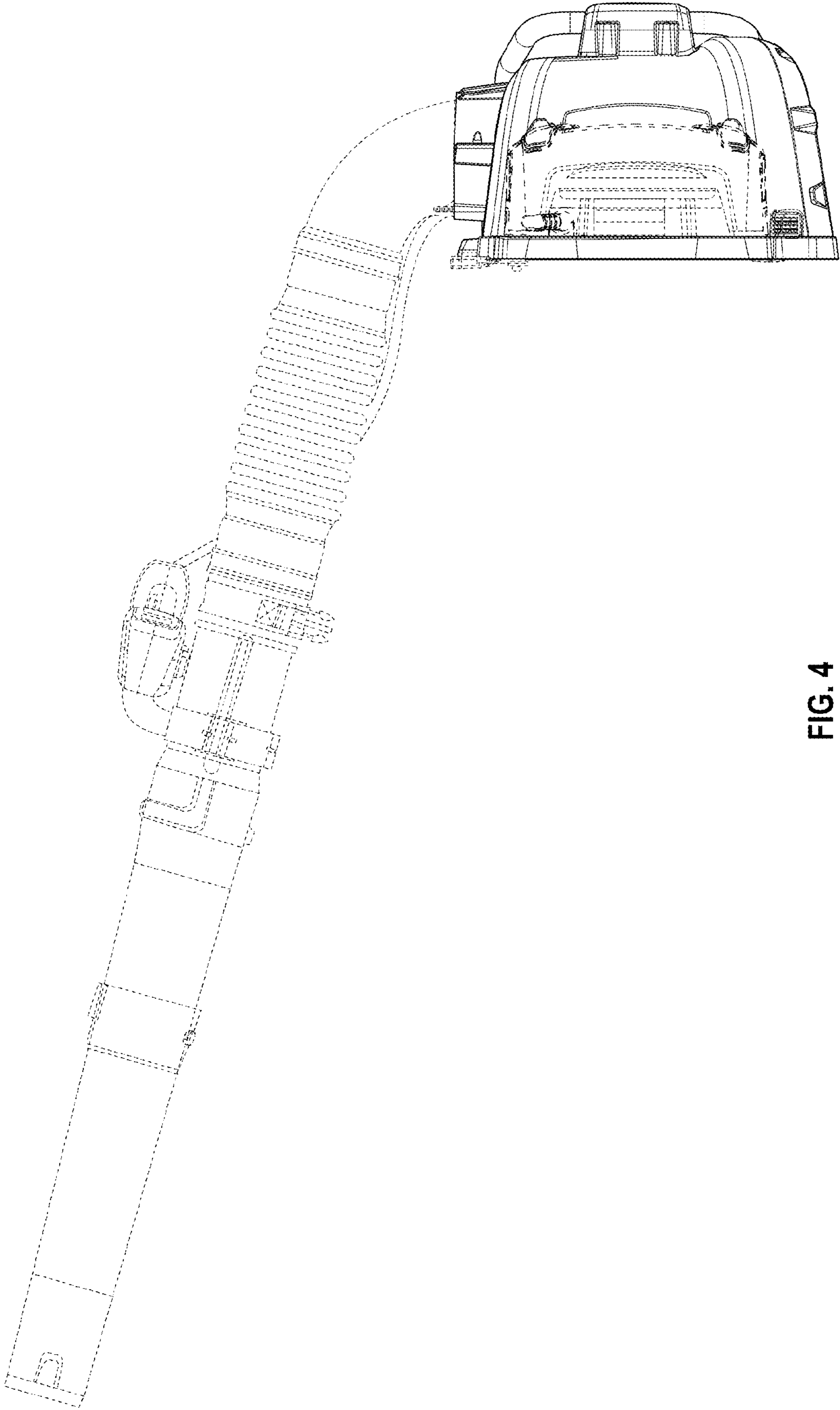


FIG. 4

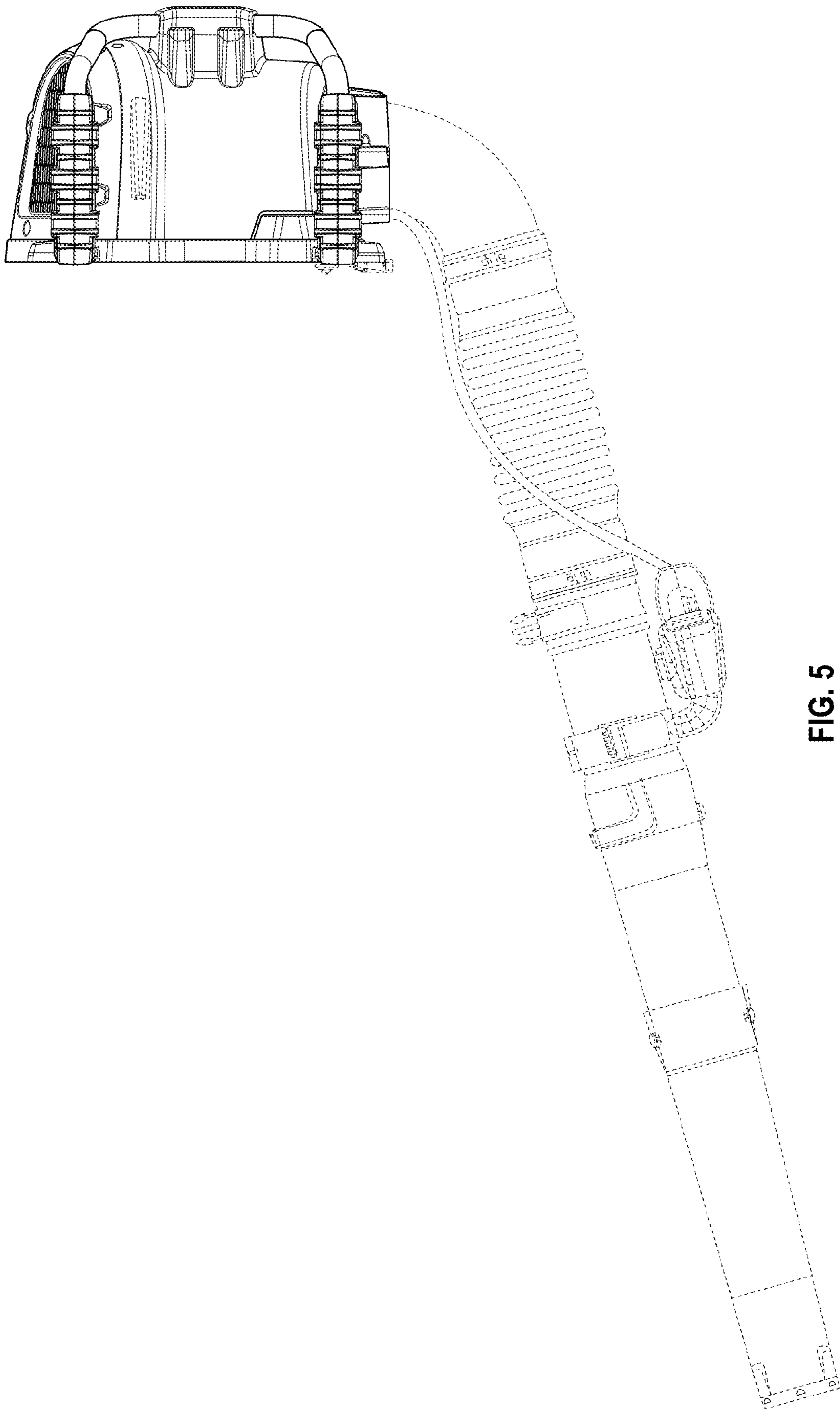


FIG. 5

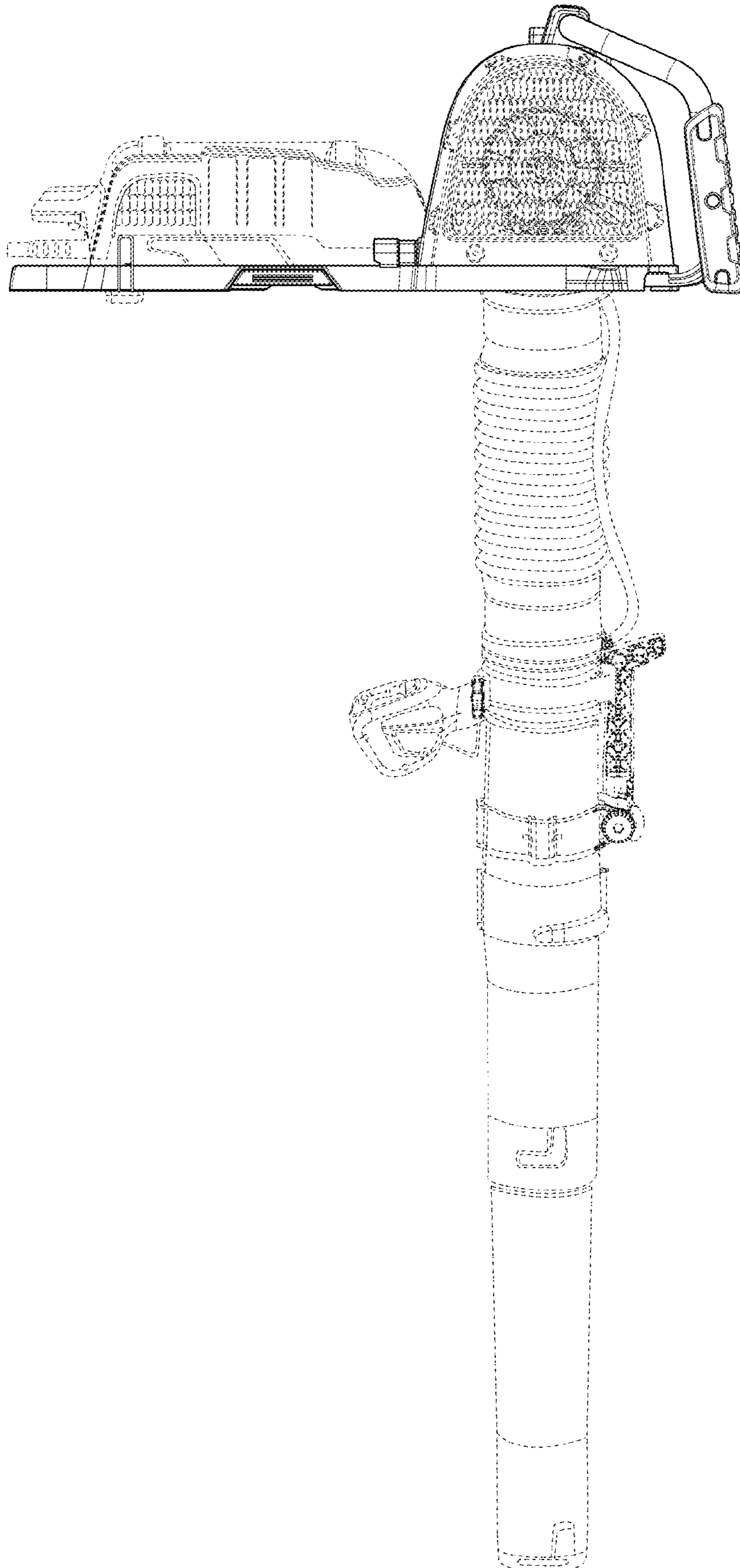


FIG. 6

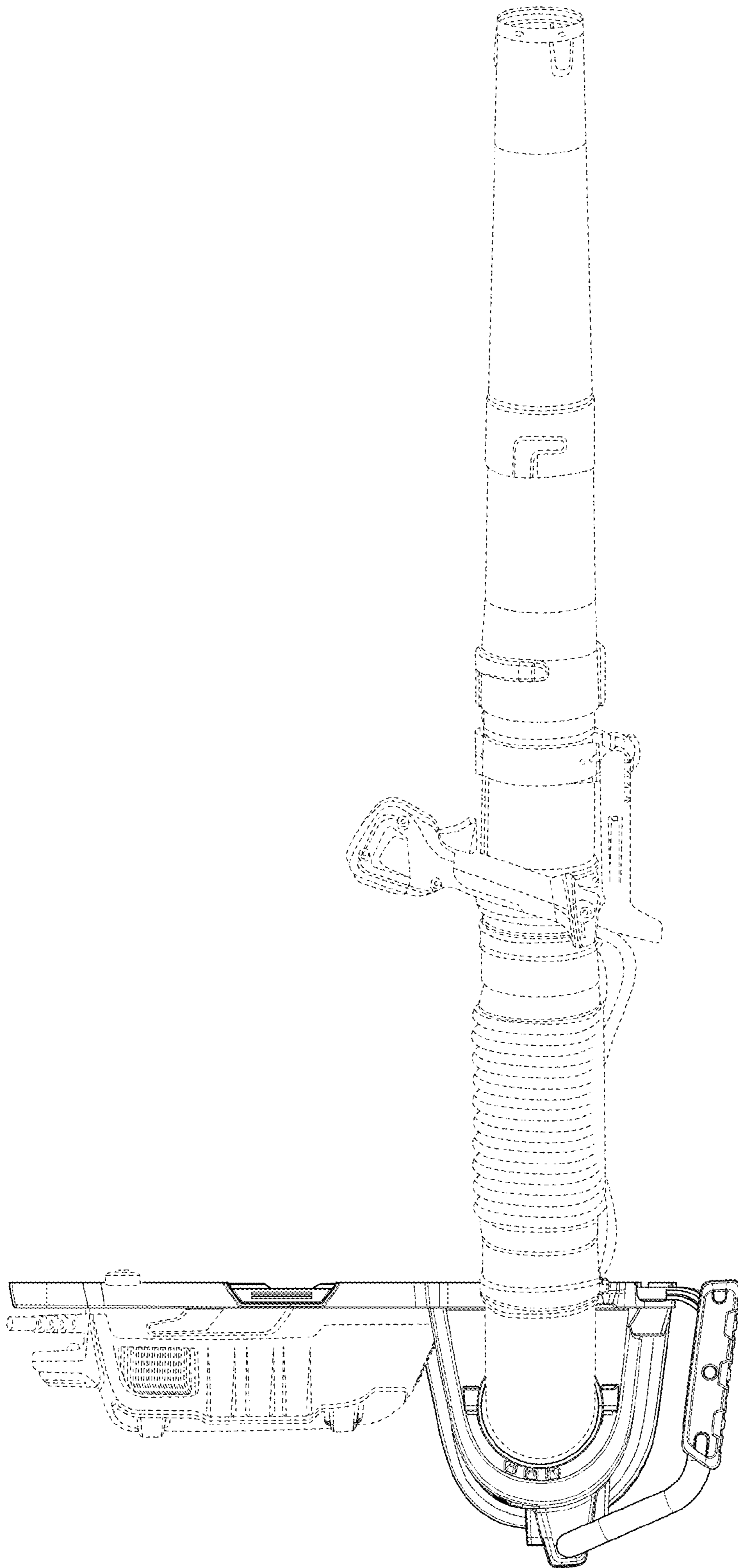


FIG. 7